



US00D727320S

(12) **United States Design Patent**
Lee et al.

(10) **Patent No.:** **US D727,320 S**
(45) **Date of Patent:** **** Apr. 21, 2015**

(54) **ALL-IN-ONE COMPUTER**

(71) Applicant: **Samsung Electronics Co., Ltd.**,
Suwon-si (KR)
(72) Inventors: **Sang-Eun Lee**, Seoul (KR); **Sung-Chul Yang**, Munich (DE)

(73) Assignee: **Samsung Electronics Co., Ltd.** (KR)

(**) Term: **14 Years**

(21) Appl. No.: **29/469,207**

(22) Filed: **Oct. 8, 2013**

(30) **Foreign Application Priority Data**

Apr. 8, 2013 (KR) 30-2013-0017999

(51) **LOC (10) Cl.** **14-02**

(52) **U.S. Cl.**
USPC **D14/374; D14/371**

(58) **Field of Classification Search**
USPC D14/371-375, 125-129, 336, 337;
341/12; 345/104, 156, 168, 173;
348/180, 184, 325, 739; 349/1, 2, 11,
349/62; 361/679.05-679.07, 679.21;
D6/300, 308

See application file for complete search history.

(56) **References Cited**

U.S. PATENT DOCUMENTS

D496,044	S	*	9/2004	Yong	D14/375
D502,179	S	*	2/2005	Cha et al.	D14/375
D525,974	S	*	8/2006	Yu et al.	D14/375
D539,245	S	*	3/2007	Bischoff	D14/126
D645,044	S	*	9/2011	Chang	D14/375
D680,547	S	*	4/2013	Williams et al.	D14/447

* cited by examiner

Primary Examiner — Freda S Nunn

(74) *Attorney, Agent, or Firm* — Cantor Colburn LLP

(57) **CLAIM**

The ornamental design for an all-in-one computer, as shown and described.

DESCRIPTION

FIG. 1 is a top rear perspective view of an all-in-one computer showing our new design;

FIG. 2 is a front view thereof;

FIG. 3 is a rear view thereof;

FIG. 4 is a side view thereof;

FIG. 5 is another side view thereof;

FIG. 6 is a top view thereof; and,

FIG. 7 is a bottom view thereof.

The broken lines illustrating portions of the all-in-one computer are for environmental purposes only and form no part of the claimed design.

1 Claim, 4 Drawing Sheets

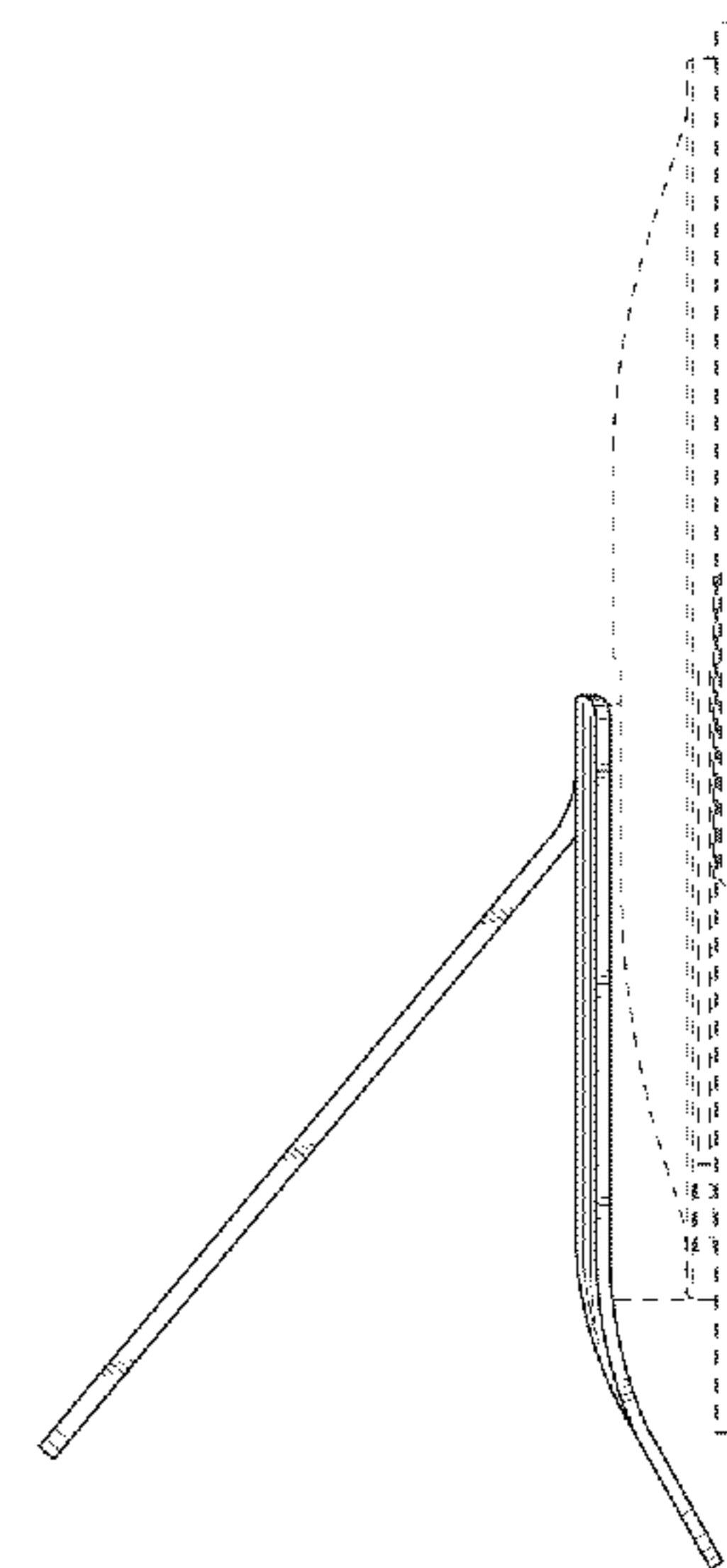
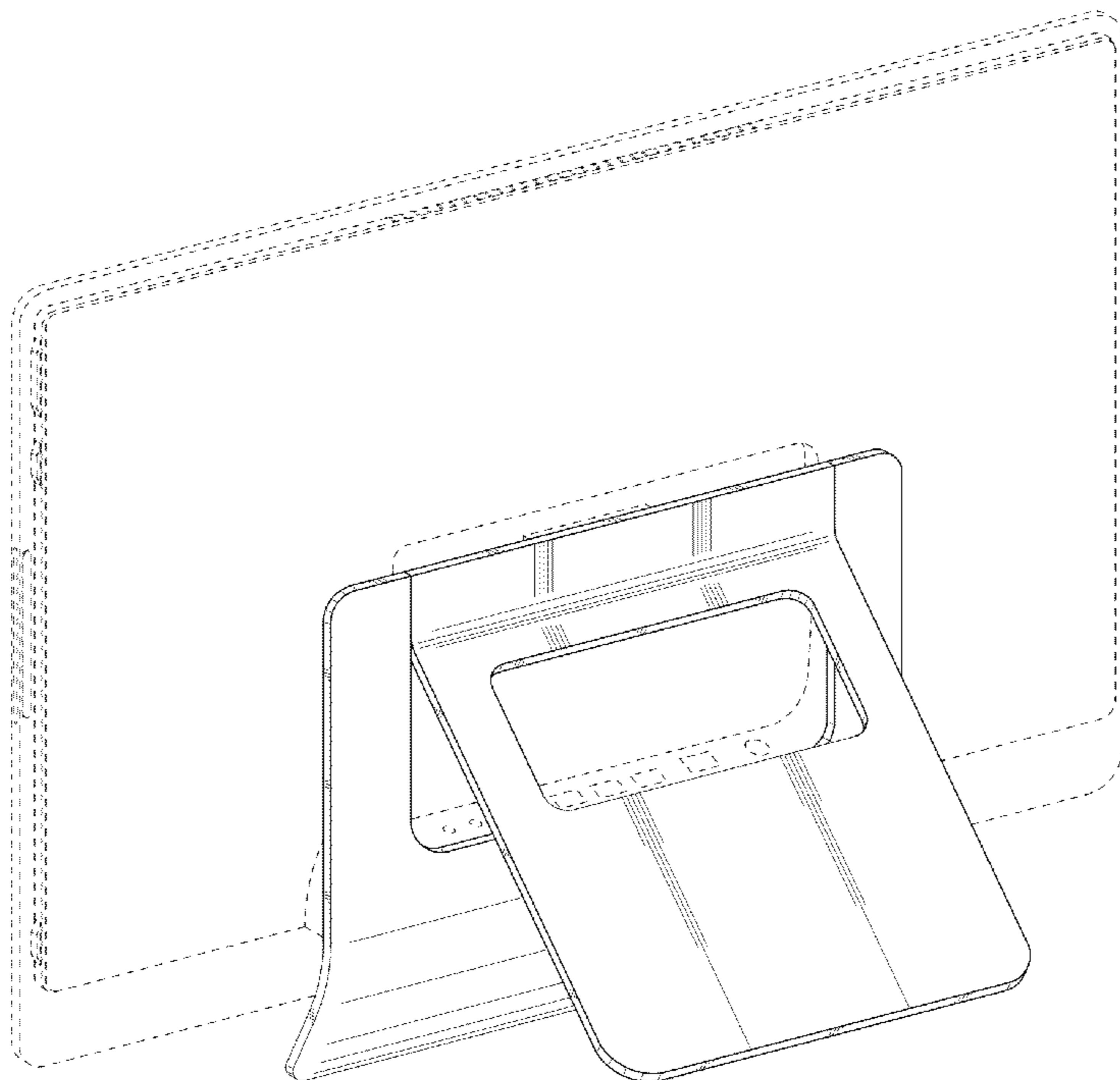


FIG. 1

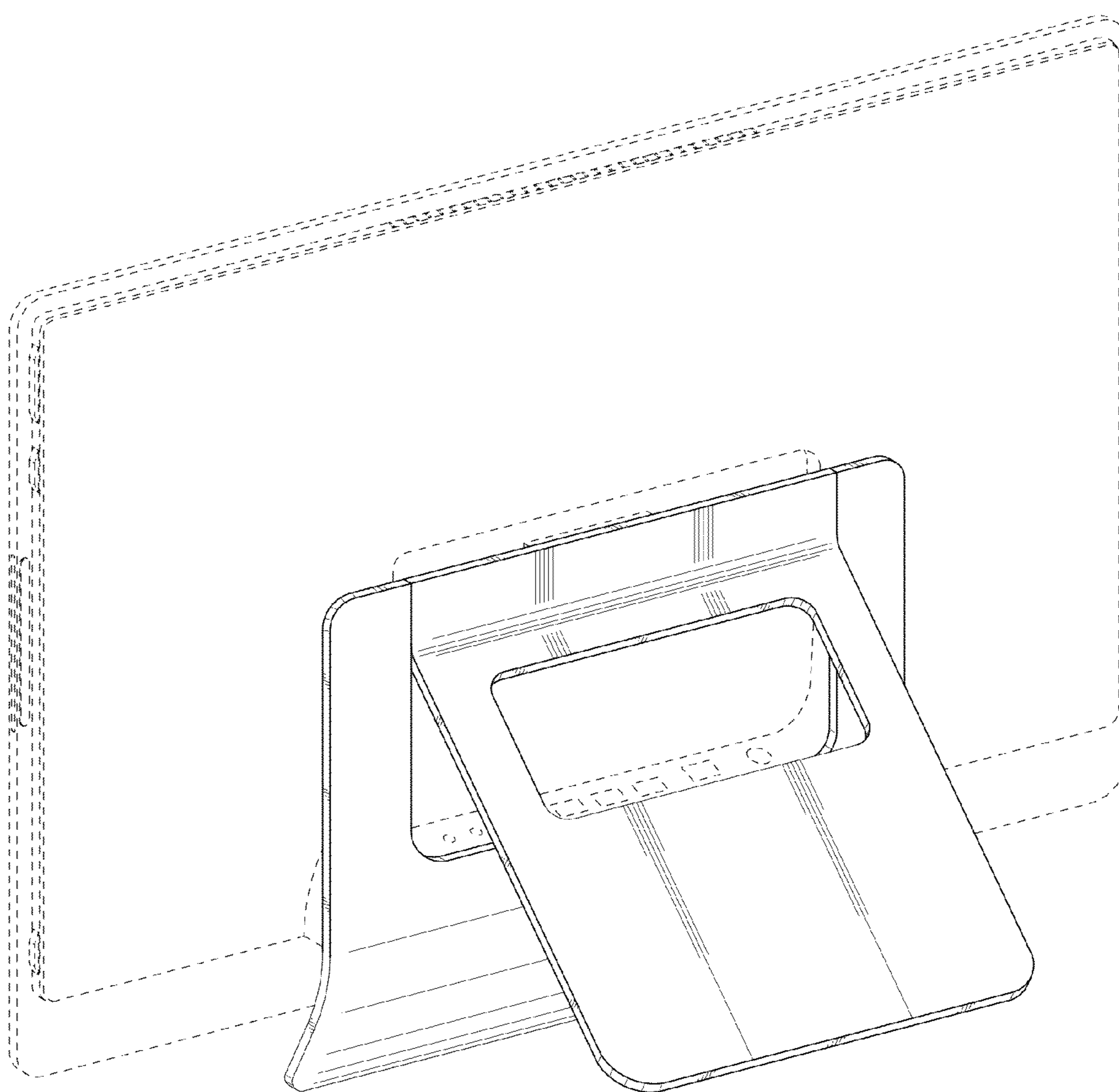


FIG.2

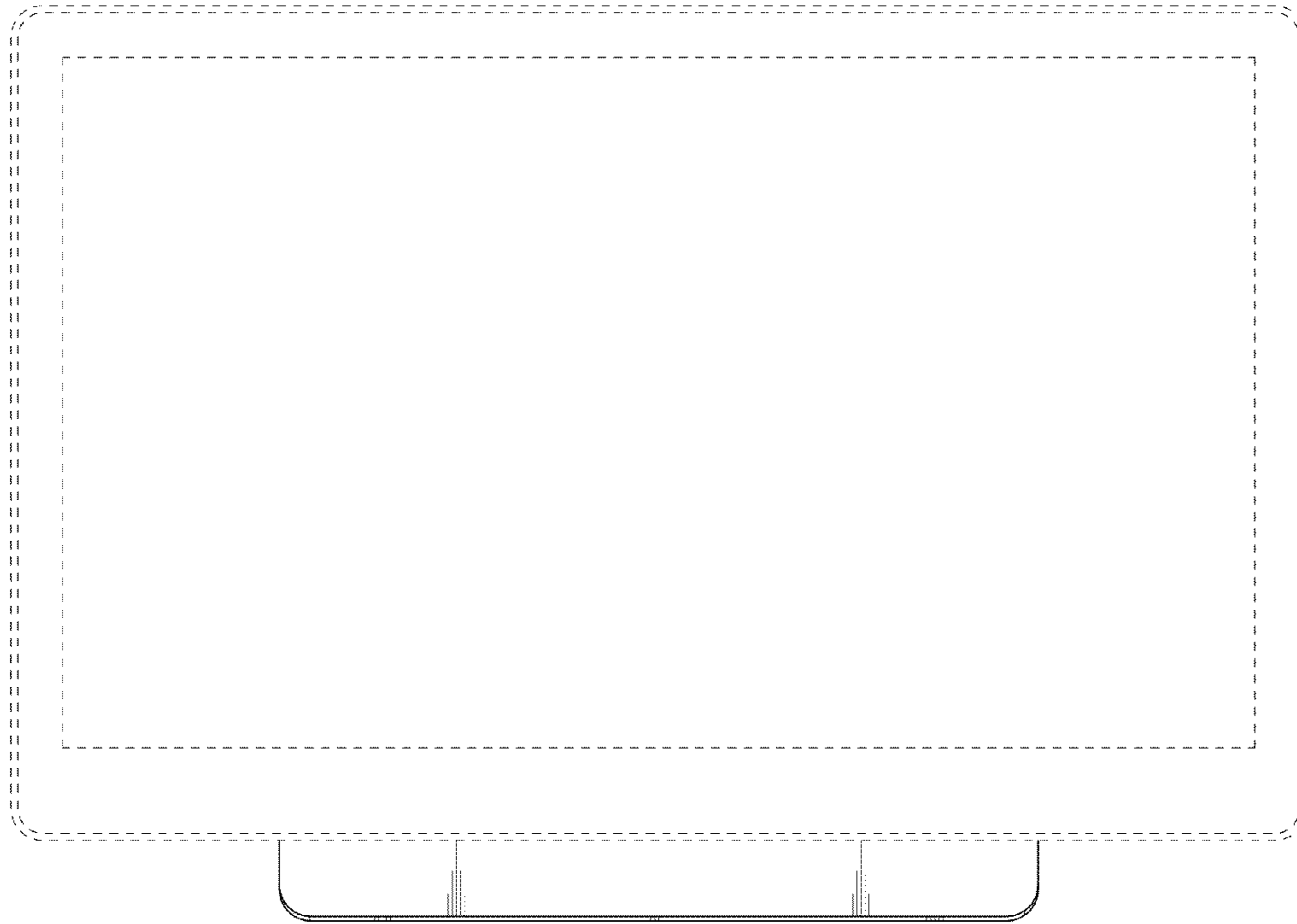


FIG.3

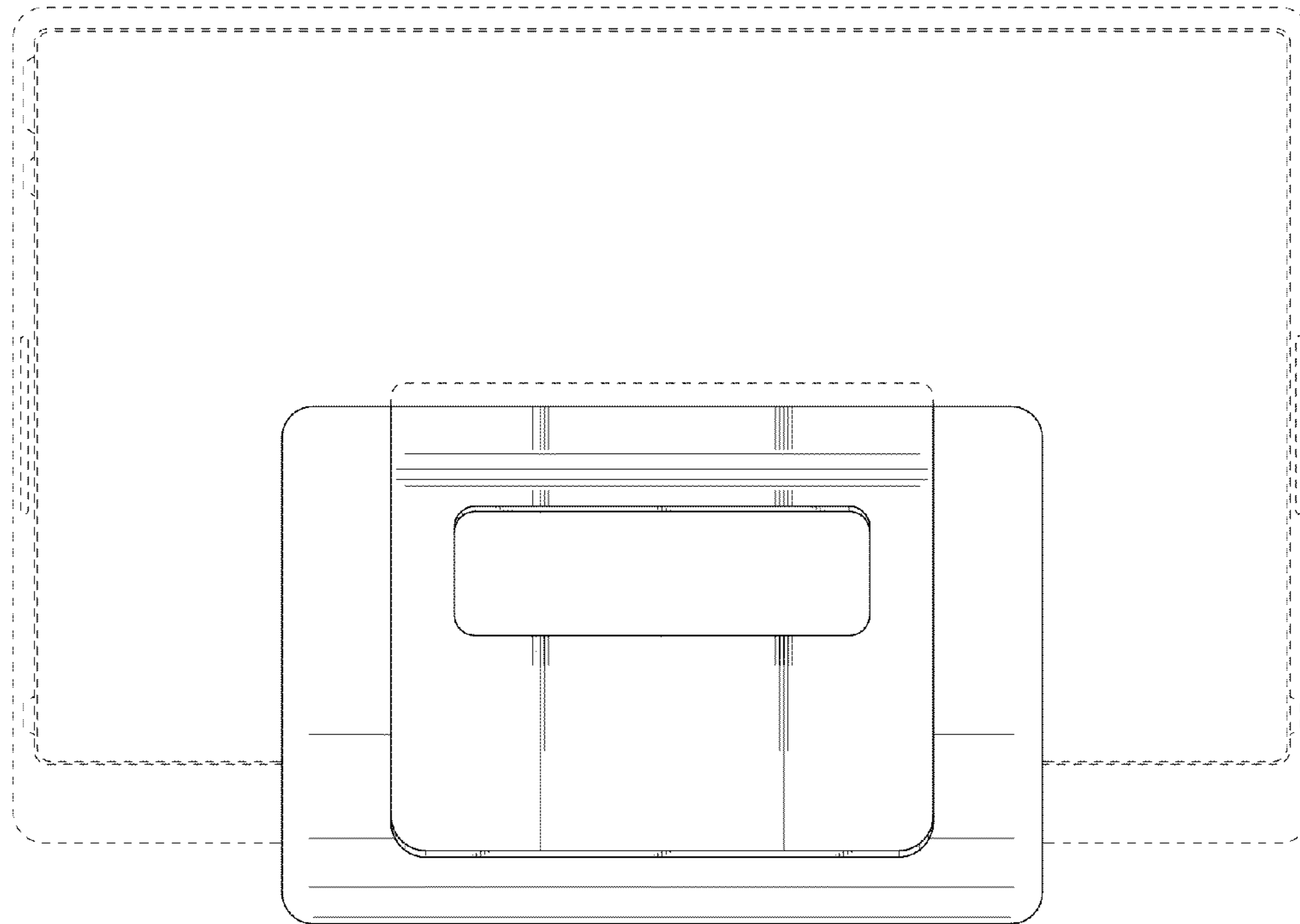


FIG.4

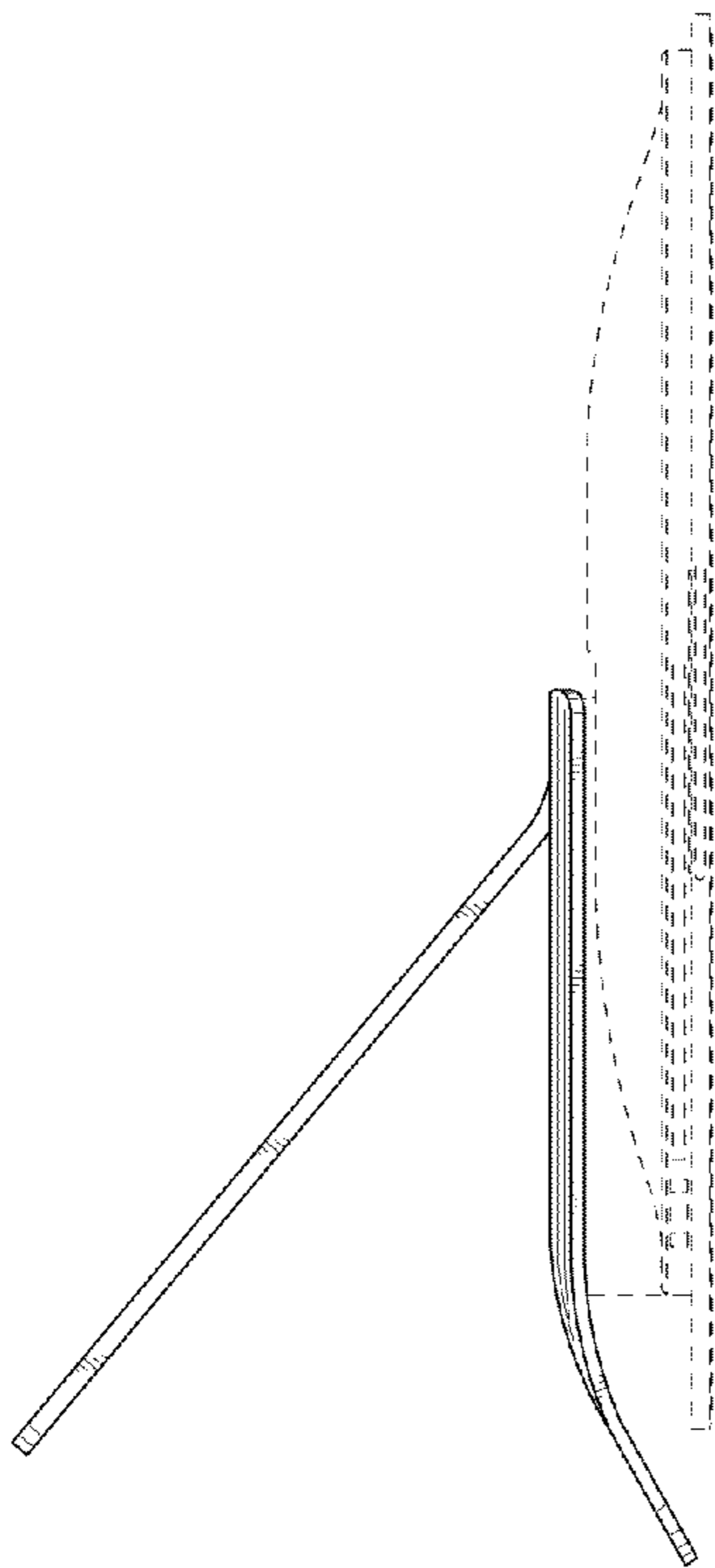


FIG.5

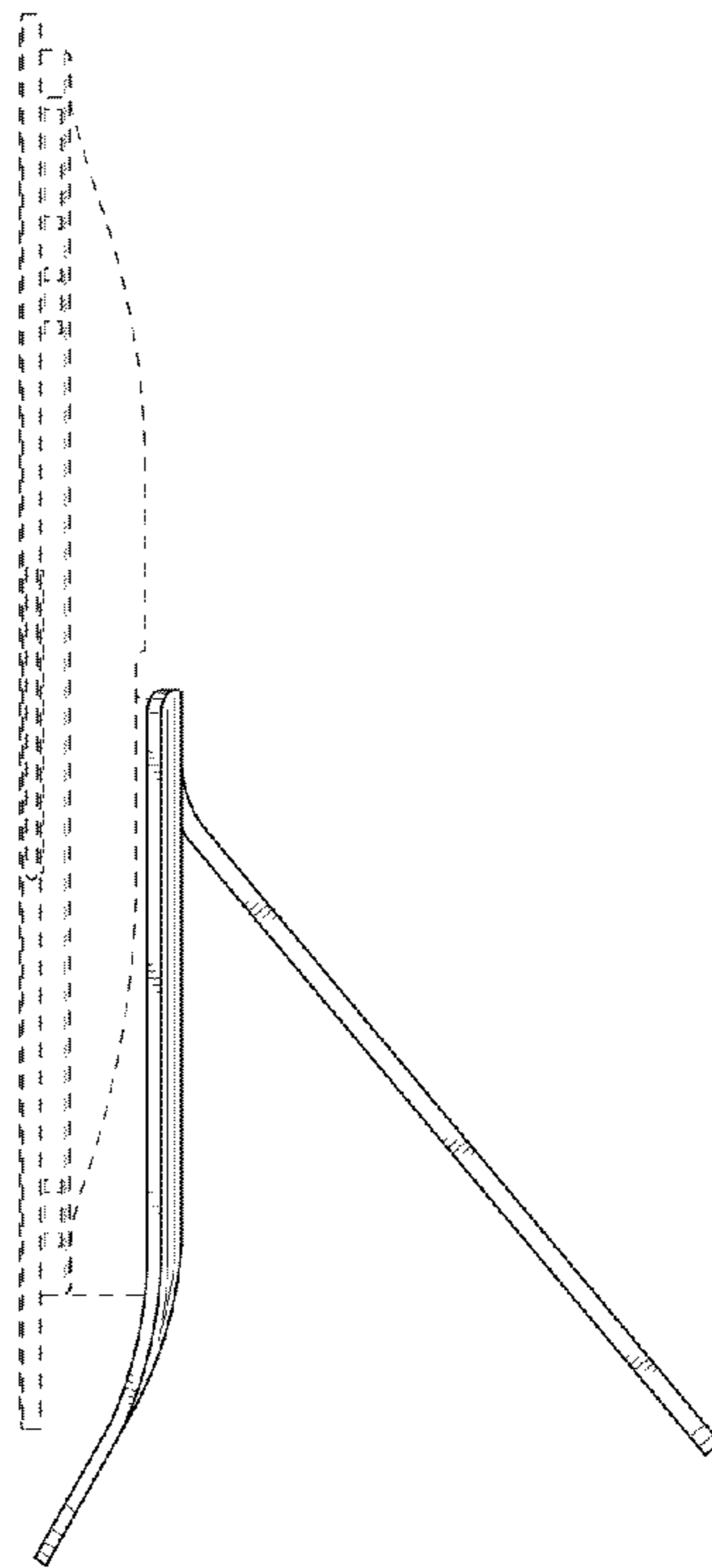


FIG.6

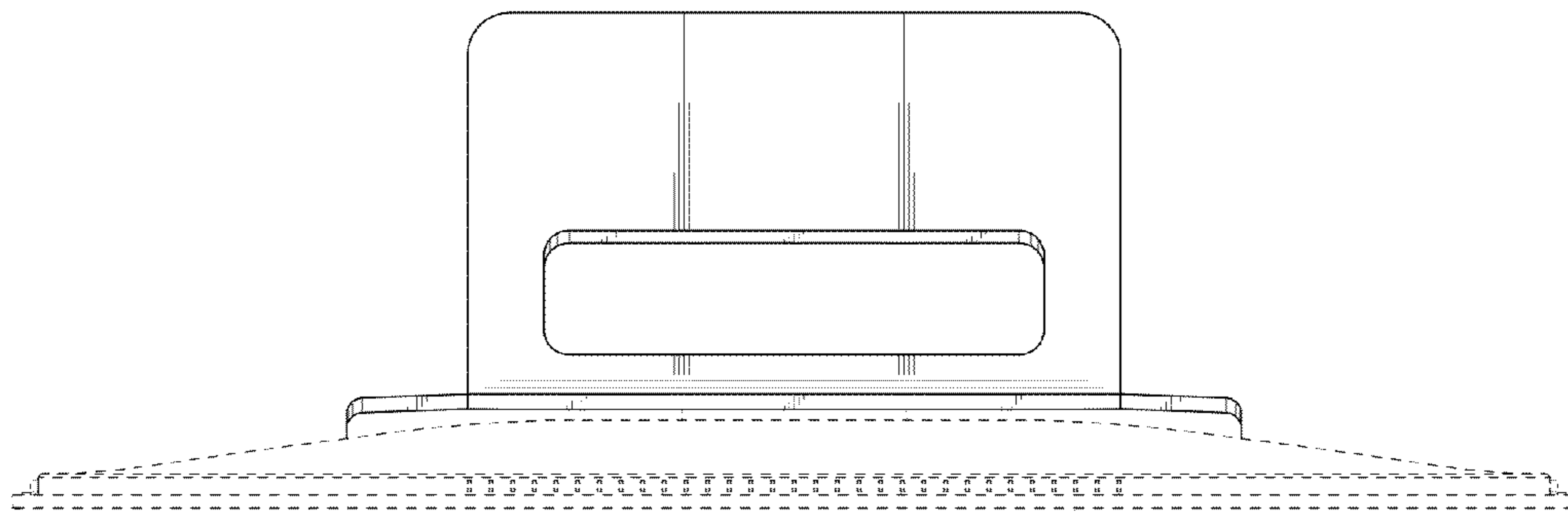


FIG.7

