

US00D727318S

(12) **United States Design Patent**
García Marín et al.

(10) **Patent No.:** **US D727,318 S**
(45) **Date of Patent:** **** Apr. 21, 2015**

(54) **STEREOGRAPHIC VIRTUAL HEAD
ADAPTER FOR MOBILE GRAPHICAL
DEVICES**

(56) **References Cited**

U.S. PATENT DOCUMENTS

D338,514 S *	8/1993	Holmes	D14/372
D363,482 S *	10/1995	Robinson et al.	D14/372
D369,595 S *	5/1996	Kober et al.	D14/372
D370,909 S *	6/1996	Oikawa et al.	D14/372
D439,265 S *	3/2001	Hayashi	D16/300
D440,967 S *	4/2001	Jung	D14/372
D521,493 S *	5/2006	Wai	D14/205
D571,366 S *	6/2008	Lee et al.	D14/372
D645,862 S *	9/2011	Paul	D14/372
D669,471 S *	10/2012	Hwang et al.	D14/372
D685,345 S *	7/2013	Serota	D14/205
D687,434 S *	8/2013	Serota	D14/372
D704,706 S *	5/2014	Serota	D14/372
2013/0237146 A1 *	9/2013	Serota	455/12.1

* cited by examiner

Primary Examiner — Austin Murphy

(74) *Attorney, Agent, or Firm* — Bryant J. Keller; Kirton I
McConkie

(57) **CLAIM**

The ornamental design for a stereographic virtual head
adapter for mobile graphical devices, as shown and described.

DESCRIPTION

FIG. 1 is a front elevation view showing our new design;
 FIG. 2 is a back perspective view thereof;
 FIG. 3 is a right side elevation view thereof;
 FIG. 4 is a left side elevation view thereof;
 FIG. 5 is a top plan view thereof;
 FIG. 6 is a bottom plan view thereof;
 FIG. 7 is a front, right side perspective view thereof;
 FIG. 8 is a back, right side perspective view thereof, wherein
 the back, left side perspective view is a mirror image thereof;
 FIGS. 9-10 each depict a front, right side perspective view
 thereof, wherein the stereographic virtual head adapter for
 mobile graphical devices is in an open configuration; and,
 FIG. 11 is a front, right side perspective view thereof, wherein
 the stereographic virtual head adapter for mobile graphical
 devices is in a closed configuration.
 An optional mobile graphical device is shown in broken lines
 in FIGS. 9-11 for environmental purposes only and forms no
 part of the claimed design.

(71) Applicants: **José Antonio García Marín**,
Murcia (ES); **Francisco Álvarez
Beltrán**, Murcia (ES); **Daniel Serrano
Cánovas**, Murcia (ES); **Álvaro Redondo
Caparrós**, Murcia (ES); **José Francisco
Castejón Monchón**, Murcia (ES);
Fernando Vargas-Martín, Murcia (ES)

(72) Inventors: **José Antonio García Marín**, Murcia
(ES); **Francisco Álvarez Beltrán**,
Murcia (ES); **Daniel Serrano Cánovas**,
Murcia (ES); **Álvaro Redondo
Caparrós**, Murcia (ES); **José Francisco
Castejón Monchón**, Murcia (ES);
Fernando Vargas-Martín, Murcia (ES)

(73) Assignee: **ImmersiON-VReila, Inc.**, Redwood
City, CA (US)

(**) Term: **14 Years**

(21) Appl. No.: **29/491,132**

(22) Filed: **May 16, 2014**

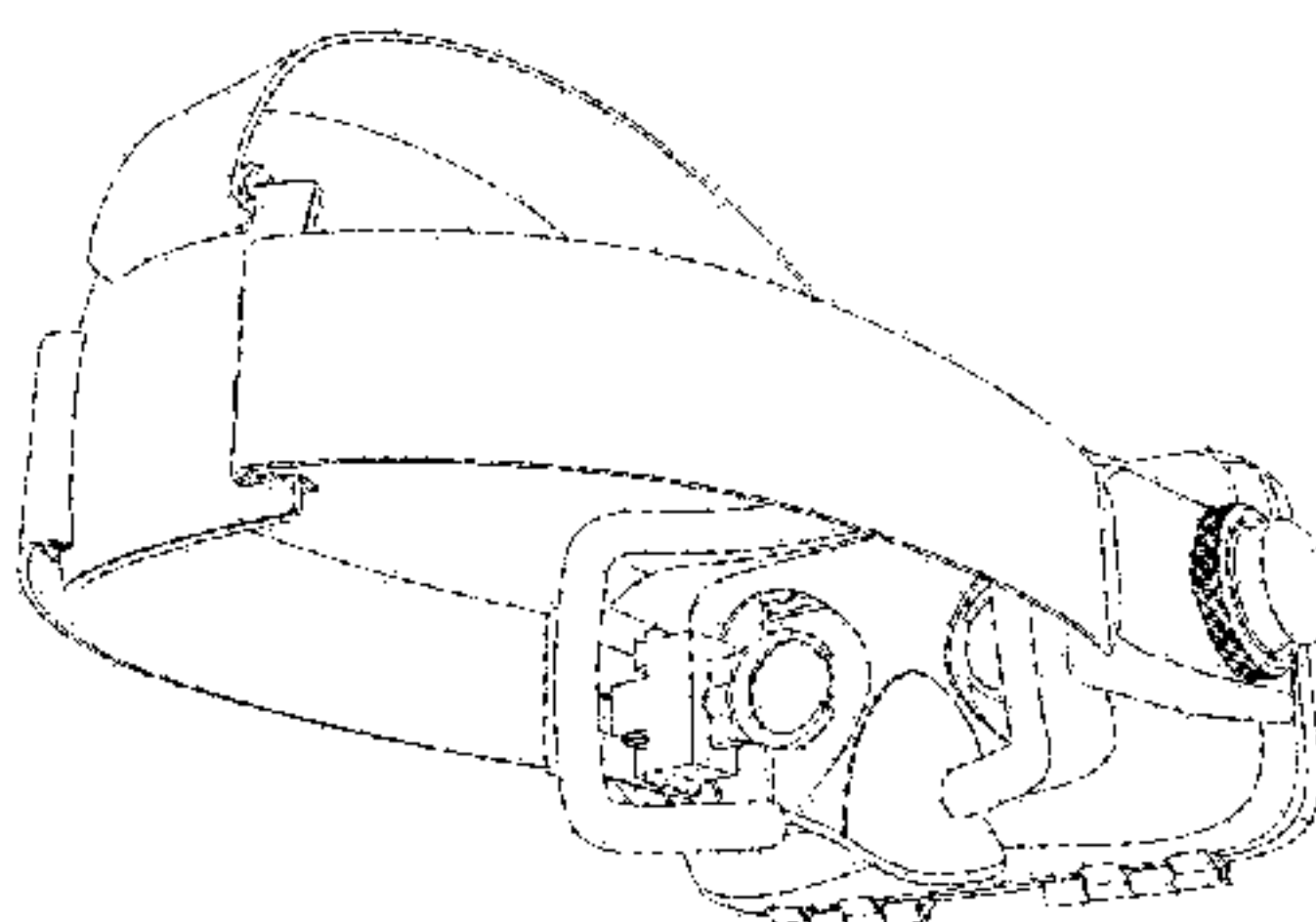
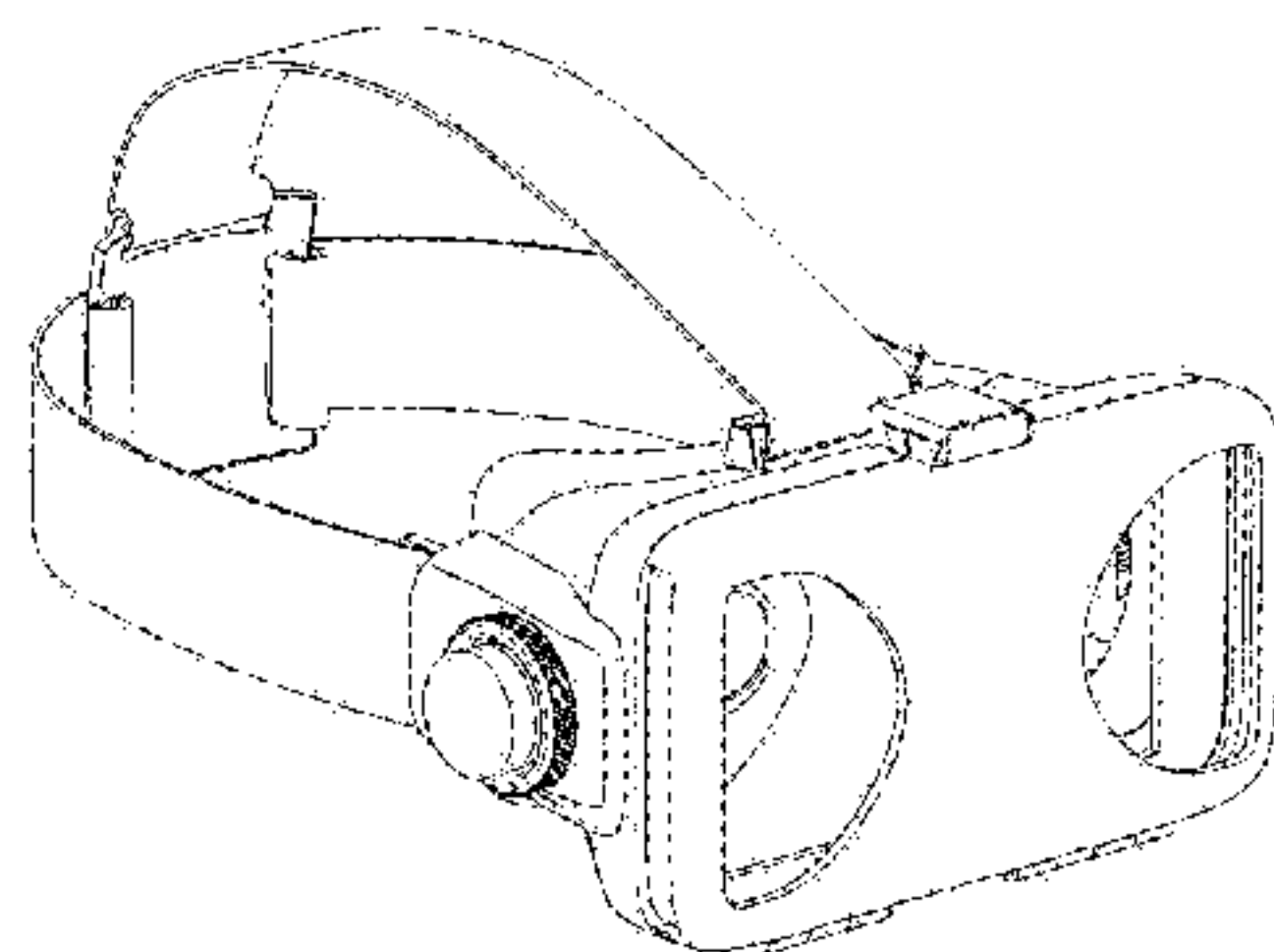
(51) **LOC (10) Cl.** **14-02**

(52) **U.S. Cl.**
USPC **D14/372**

(58) **Field of Classification Search**
 CPC G02B 27/017; G02B 27/0158; G02B
 27/0161; G02B 27/0181; G02B 7/0185;
 G02B 27/0189
 USPC D14/372, 496, 432, 371, 125, 126, 129,
 D14/299; D16/300-342; 351/158, 153, 144;
 345/7-9, 905; 455/344; 348/115, 53,
 348/121, 739

See application file for complete search history.

1 Claim, 6 Drawing Sheets



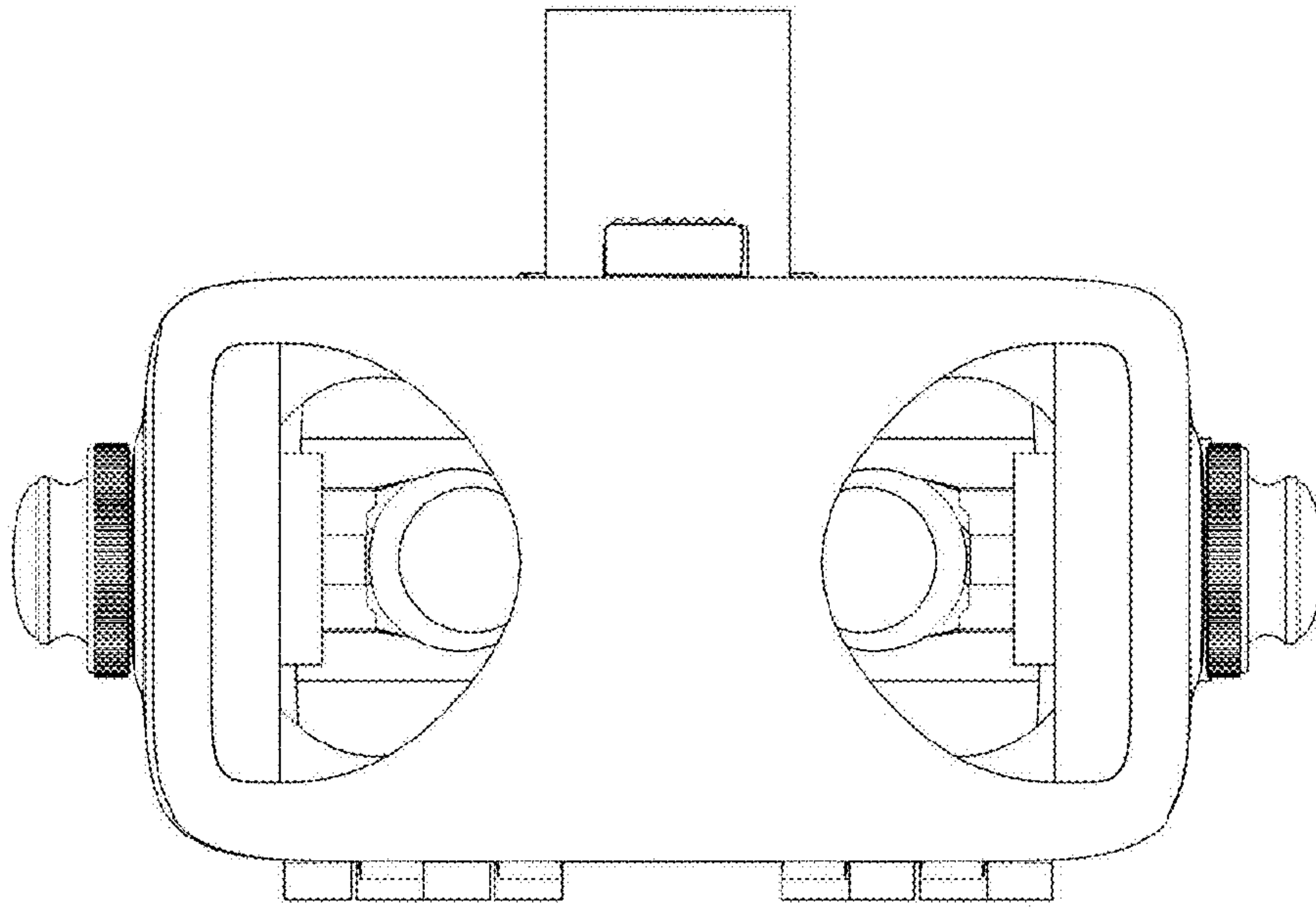


FIG. 1

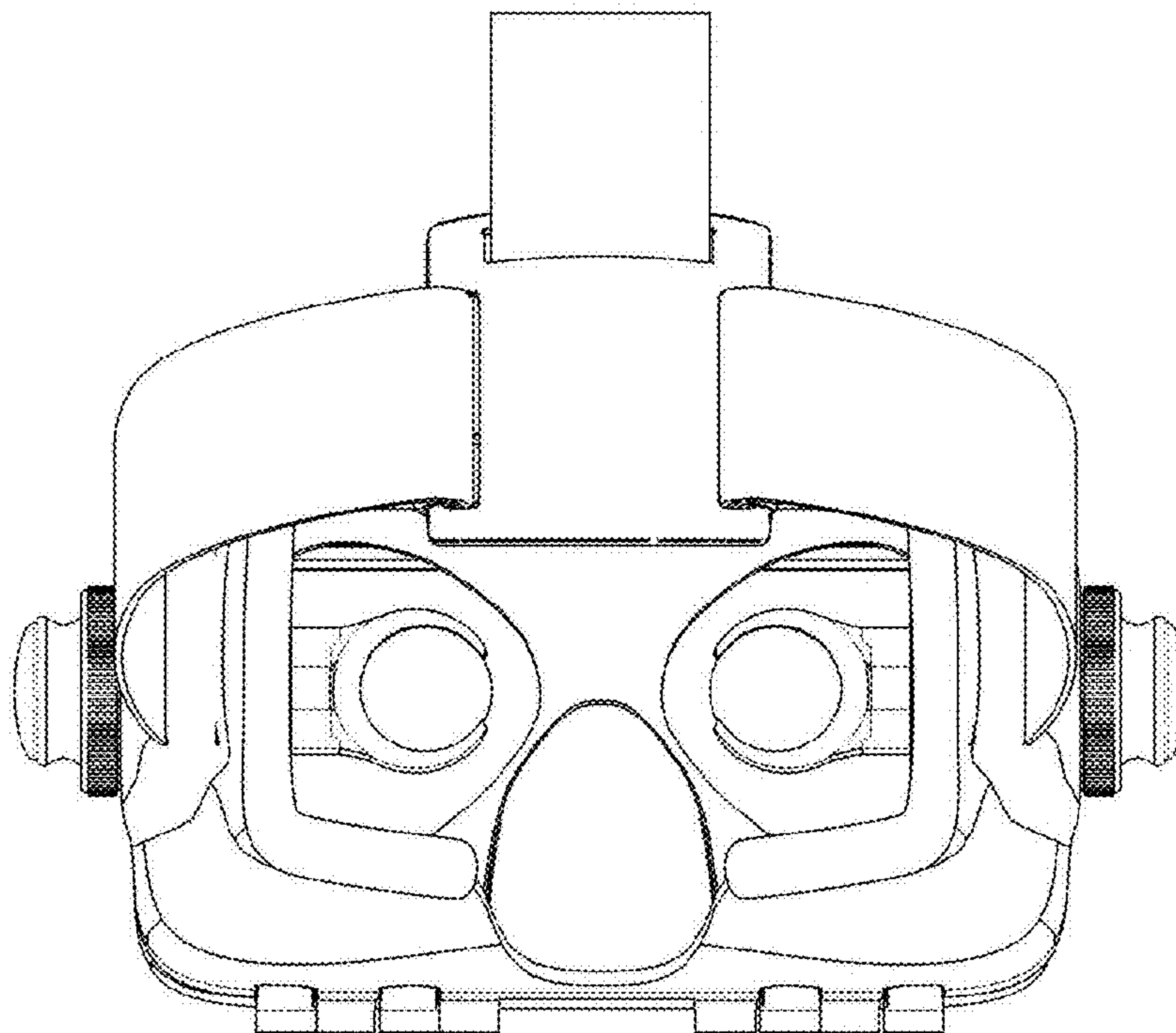


FIG. 2

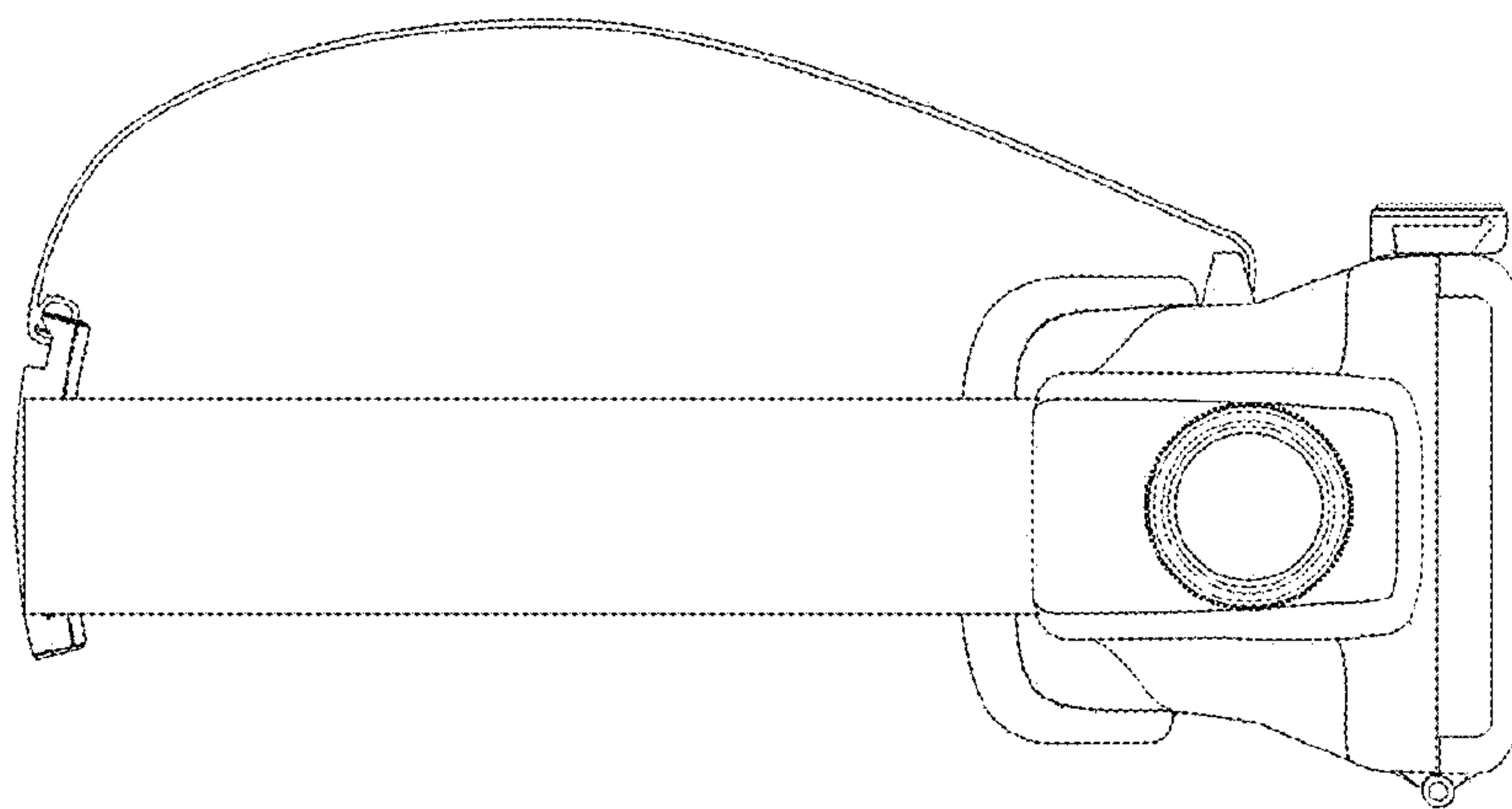


FIG. 3

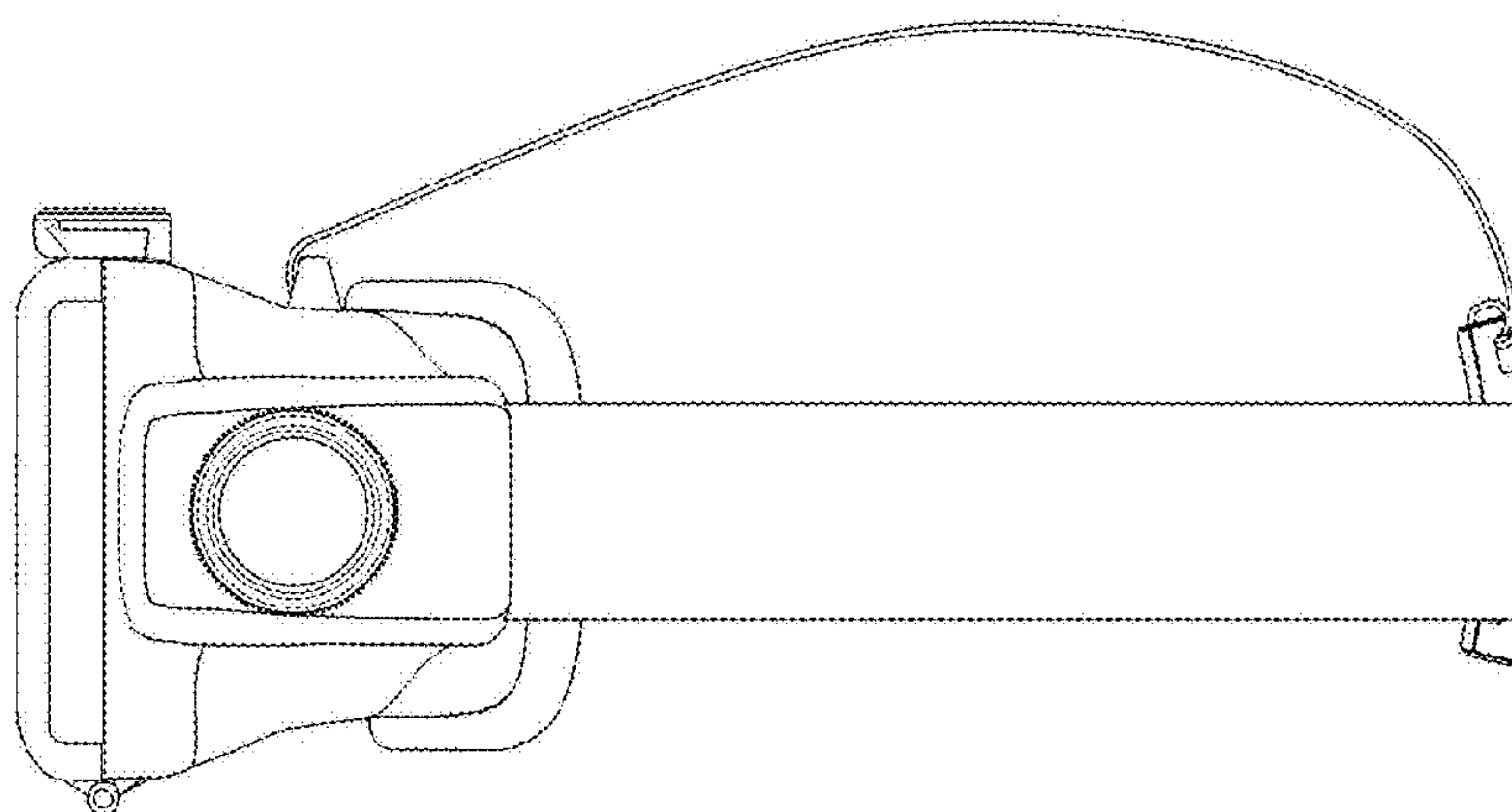


FIG. 4

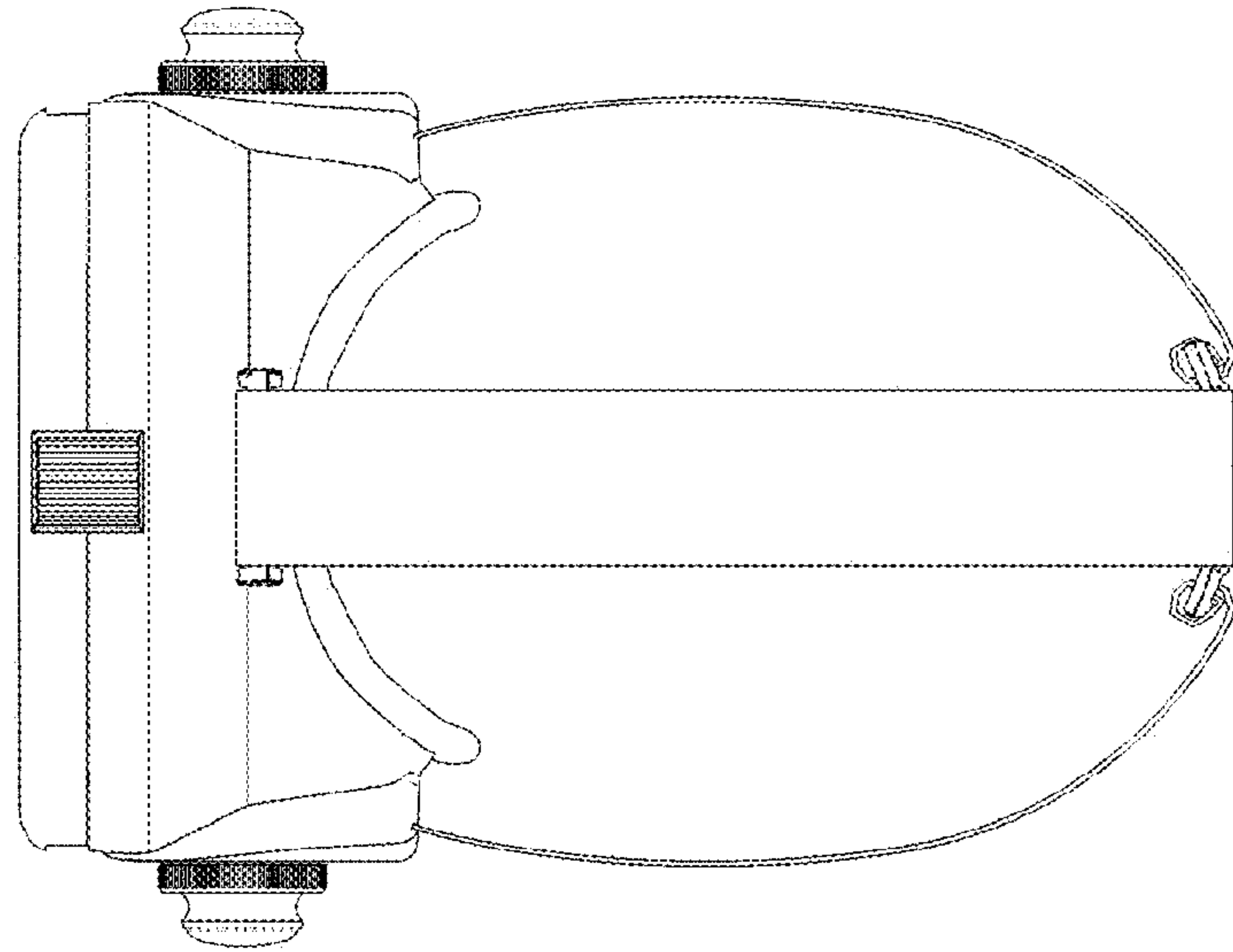


FIG. 5

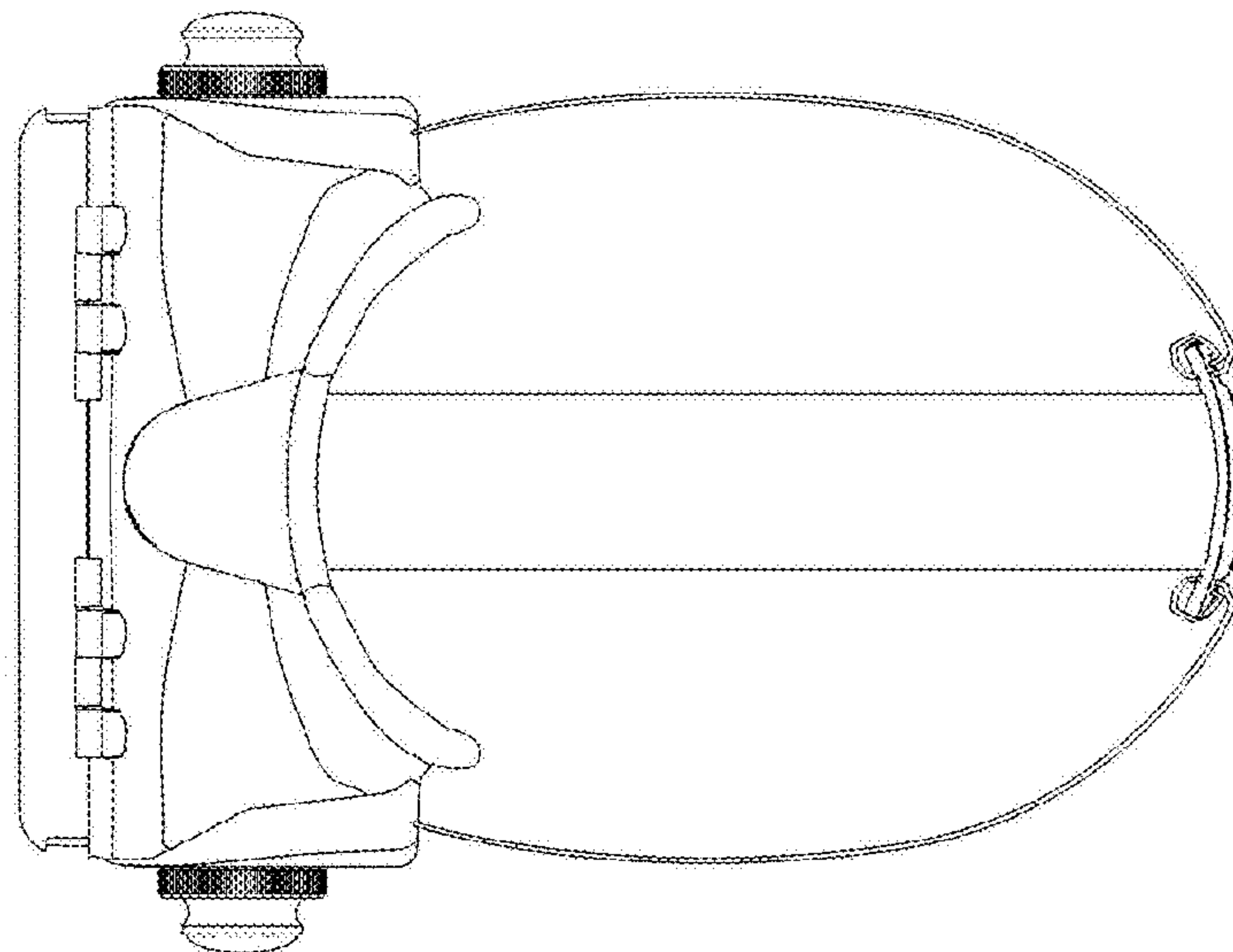


FIG. 6

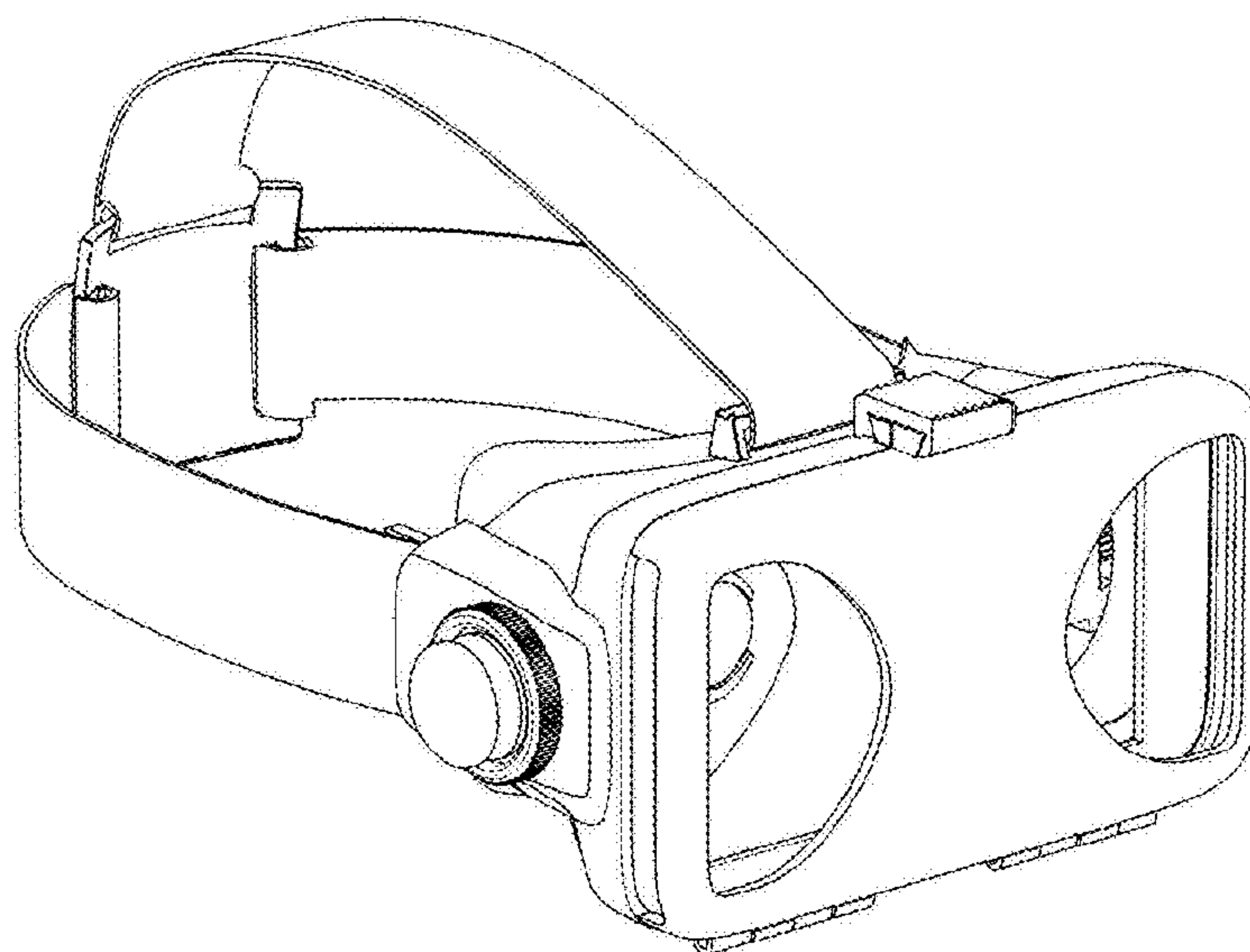


FIG. 7

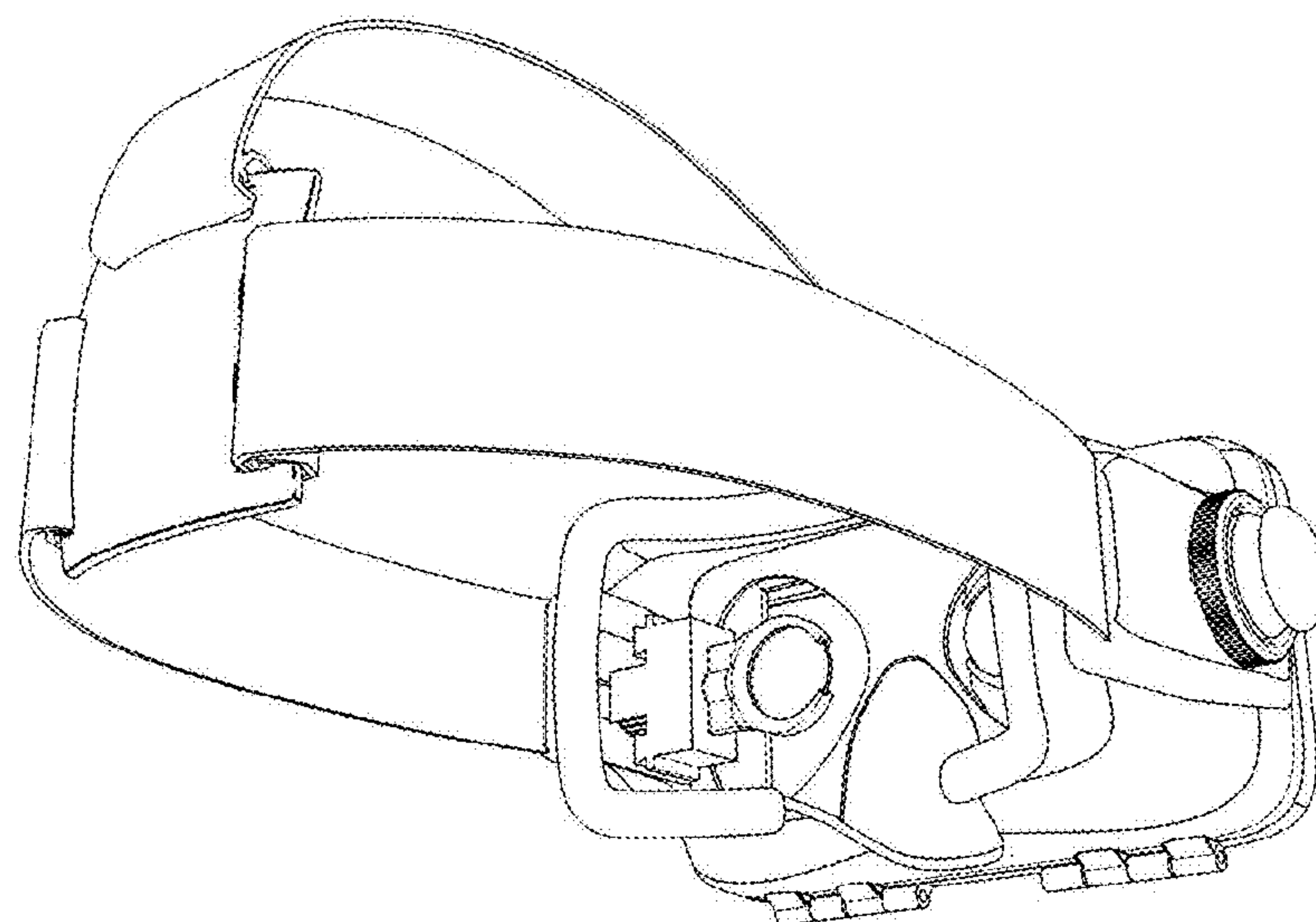


FIG. 8

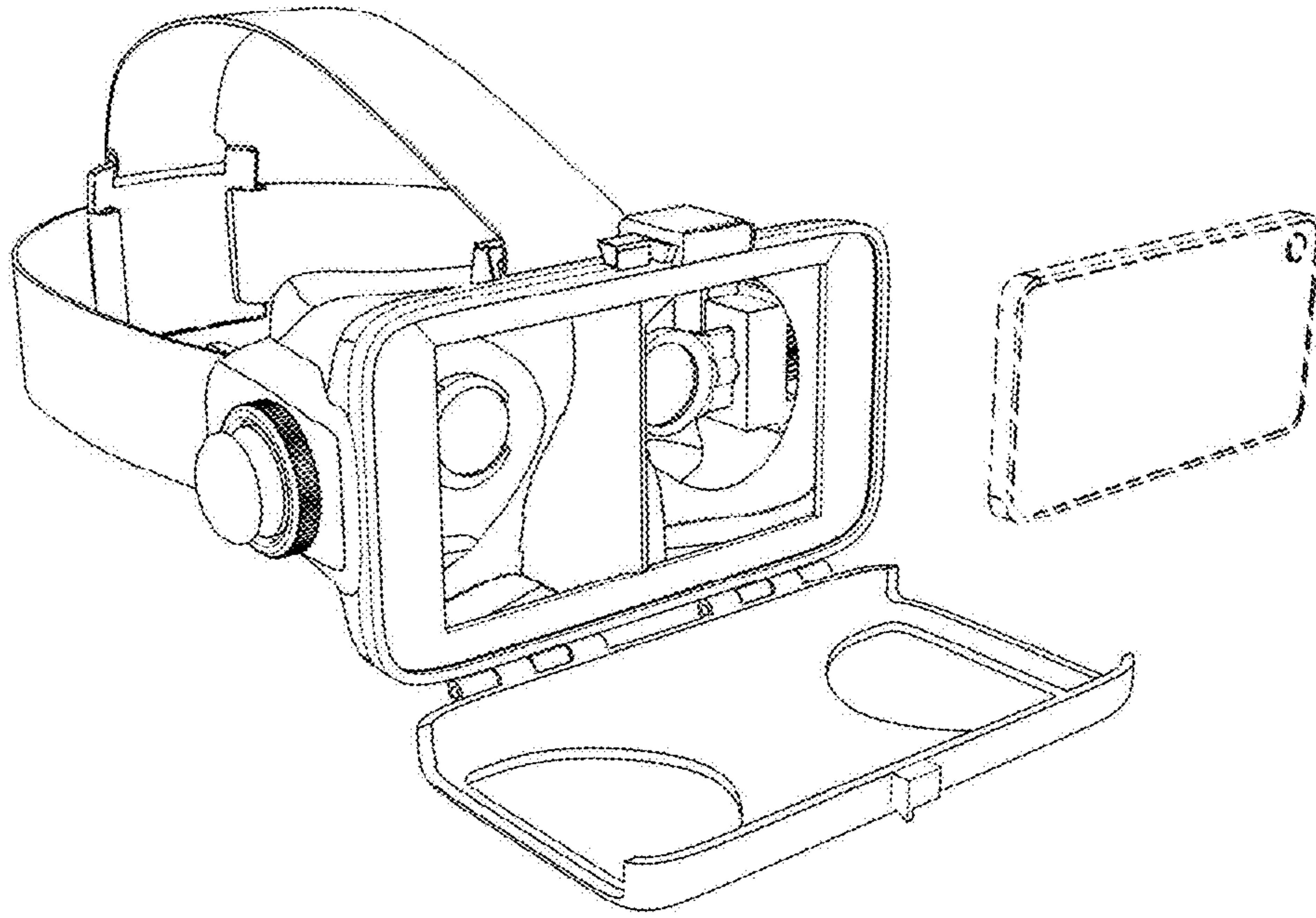


FIG. 9

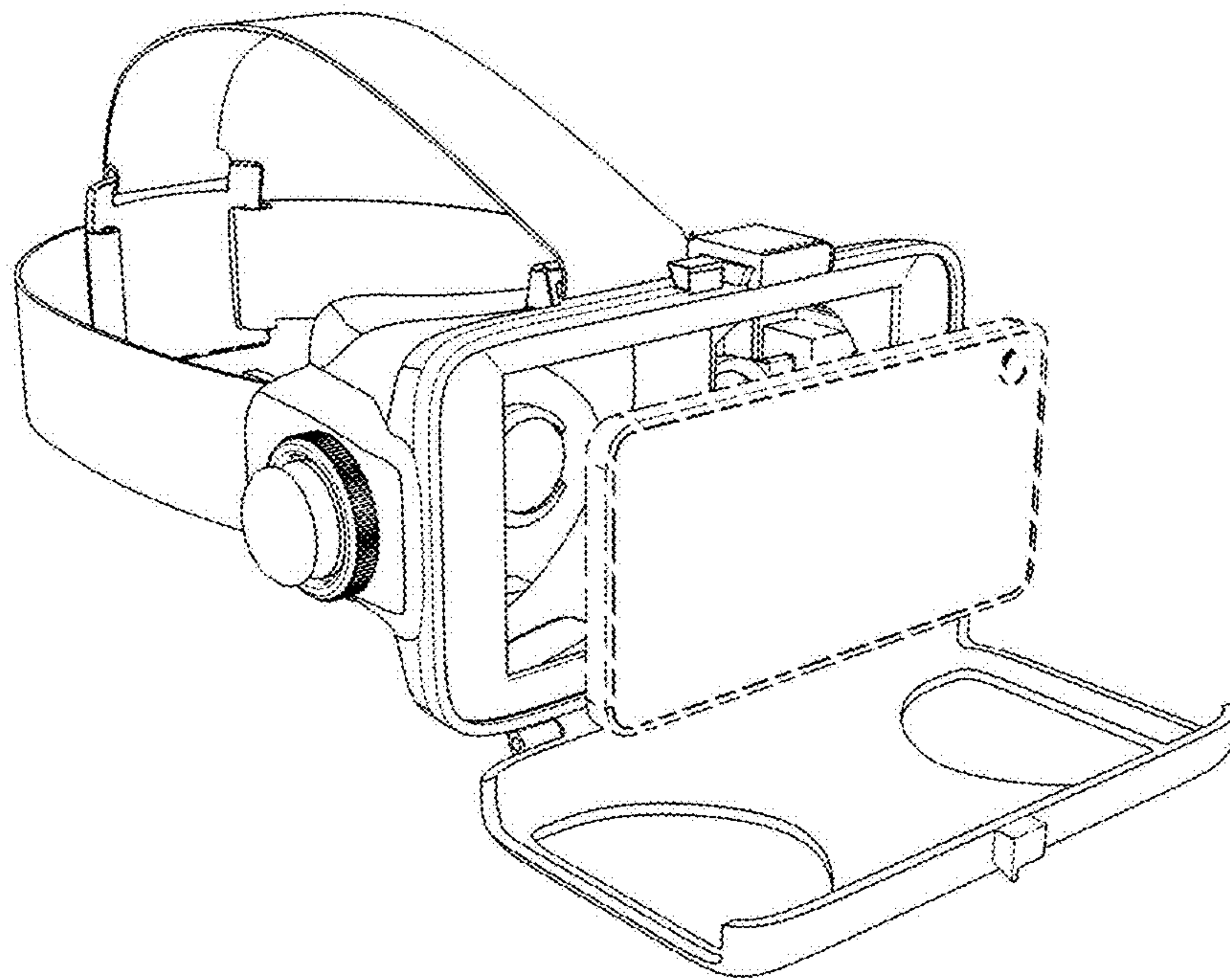


FIG. 10

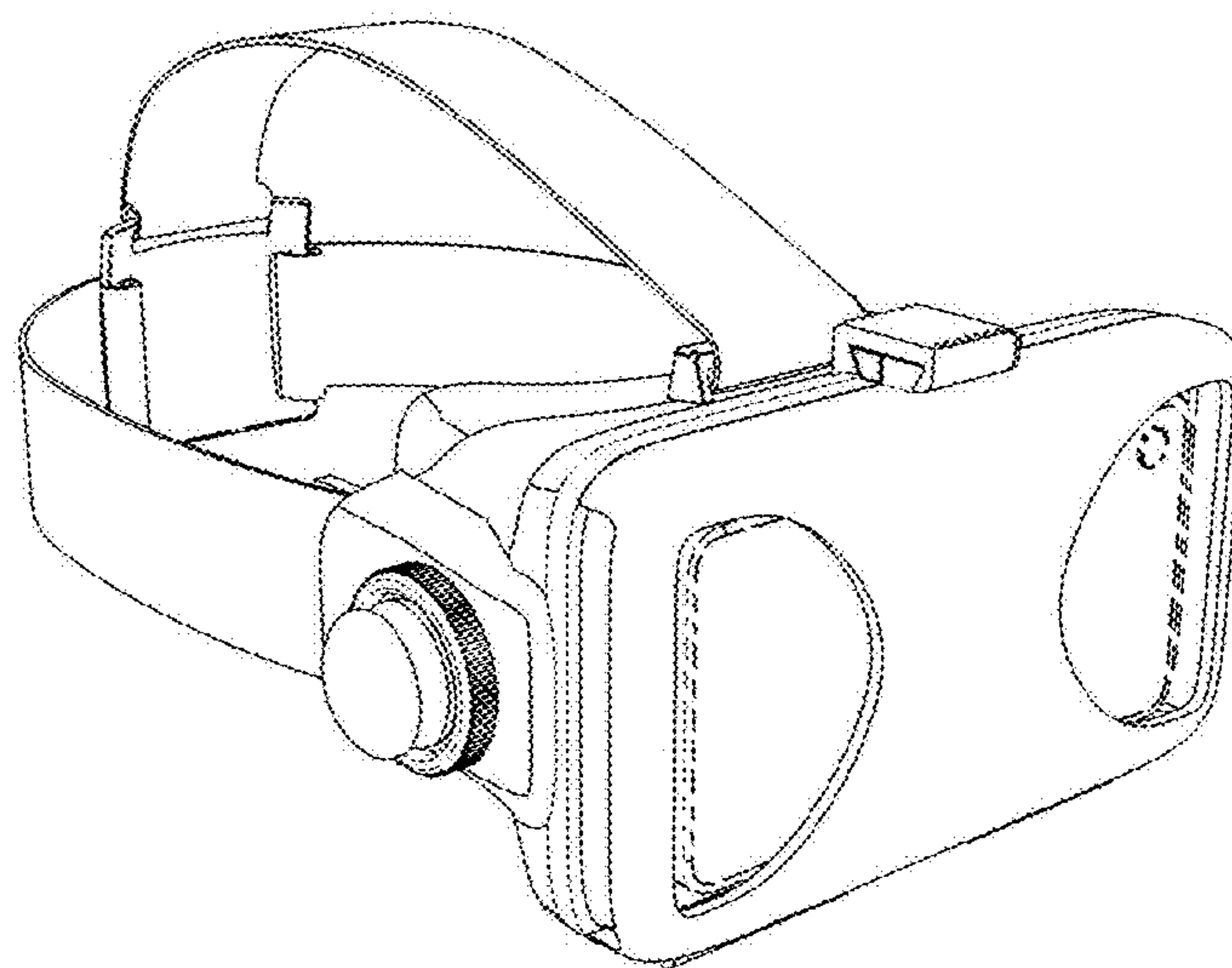


FIG. 11