



US00D727316S

(12) **United States Design Patent**
Song

(10) **Patent No.:** **US D727,316 S**
(45) **Date of Patent:** **** Apr. 21, 2015**

- (54) **ELECTRONIC DEVICE**
- (71) Applicant: **Samsung Electronics Co., Ltd.**,
Suwon-si, Gyeonggi-do (KR)
- (72) Inventor: **Jungyong Song**, Sunnam-si (KR)
- (73) Assignee: **Samsung Electronics Co., Ltd.** (KR)
- (**) Term: **14 Years**
- (21) Appl. No.: **29/470,843**
- (22) Filed: **Oct. 25, 2013**

(30) **Foreign Application Priority Data**

Aug. 30, 2013 (KR) 30-2013-0044694

(51) **LOC (10) Cl.** **14-02**

(52) **U.S. Cl.**
USPC **D14/344; D10/32**

(58) **Field of Classification Search**
USPC D14/140, 137, 138 R, 138 AB, 139, 155,
D14/191, 192, 203.1, 203.3, 203.4, 203.5,
D14/203.7, 248, 226, 218, 144, 240, 344,
D14/440, 341, 346, 44, 450, 496;
D10/30-39, 70, 65, 78, 104.1, 104.2,
D10/125; D11/3-5, 12, 19, 25; D13/168;
D8/354, 366, 402, 499; D3/215;
D15/199; 381/364, 151; 379/433.1;
455/575.1, 556.1, 556.2, 558, 575.3,
455/575.4, 575.6, 90.3; 368/10, 13, 69,
368/223; D21/329; D24/167; 224/175;
24/190, 265 WS

See application file for complete search history.

(56) **References Cited**

U.S. PATENT DOCUMENTS

- 1,431,802 A * 10/1922 Horvath 63/22
- 3,136,547 A * 6/1964 Schaper 473/406
- 3,706,117 A * 12/1972 Axisa 24/574.1
- 4,427,303 A * 1/1984 Matthias 368/282
- 4,586,827 A * 5/1986 Hirsch et al. 368/282

- 4,847,818 A * 7/1989 Olsen 368/10
- 5,054,051 A * 10/1991 Hoff 455/556.1
- 5,179,733 A * 1/1993 Matsui 455/344
- 5,381,387 A * 1/1995 Blonder et al. 368/10
- D356,433 S * 3/1995 Humphrey D2/614
- D362,946 S * 10/1995 Polenber D11/3
- 5,467,324 A * 11/1995 Houlihan 368/10
- 5,499,292 A * 3/1996 Blonder et al. 379/433.1
- D369,751 S * 5/1996 Boyer et al. D10/31
- 5,564,082 A * 10/1996 Blonder et al. 455/575.6
- D381,980 S * 8/1997 Andrea D14/148
- D383,073 S * 9/1997 Miller D10/31
- D407,654 S * 4/1999 Rayon D10/31

(Continued)

OTHER PUBLICATIONS

Hyper link <http://mobilab.tistory.com/33> printed on Oct. 23, 2013, pp. 1-9.

Primary Examiner — Susan Bennett Hattan

Assistant Examiner — Marie Fast Horse

(74) *Attorney, Agent, or Firm* — Cantor Colburn LLP

(57) **CLAIM**

The ornamental design for an electronic device, as shown and described.

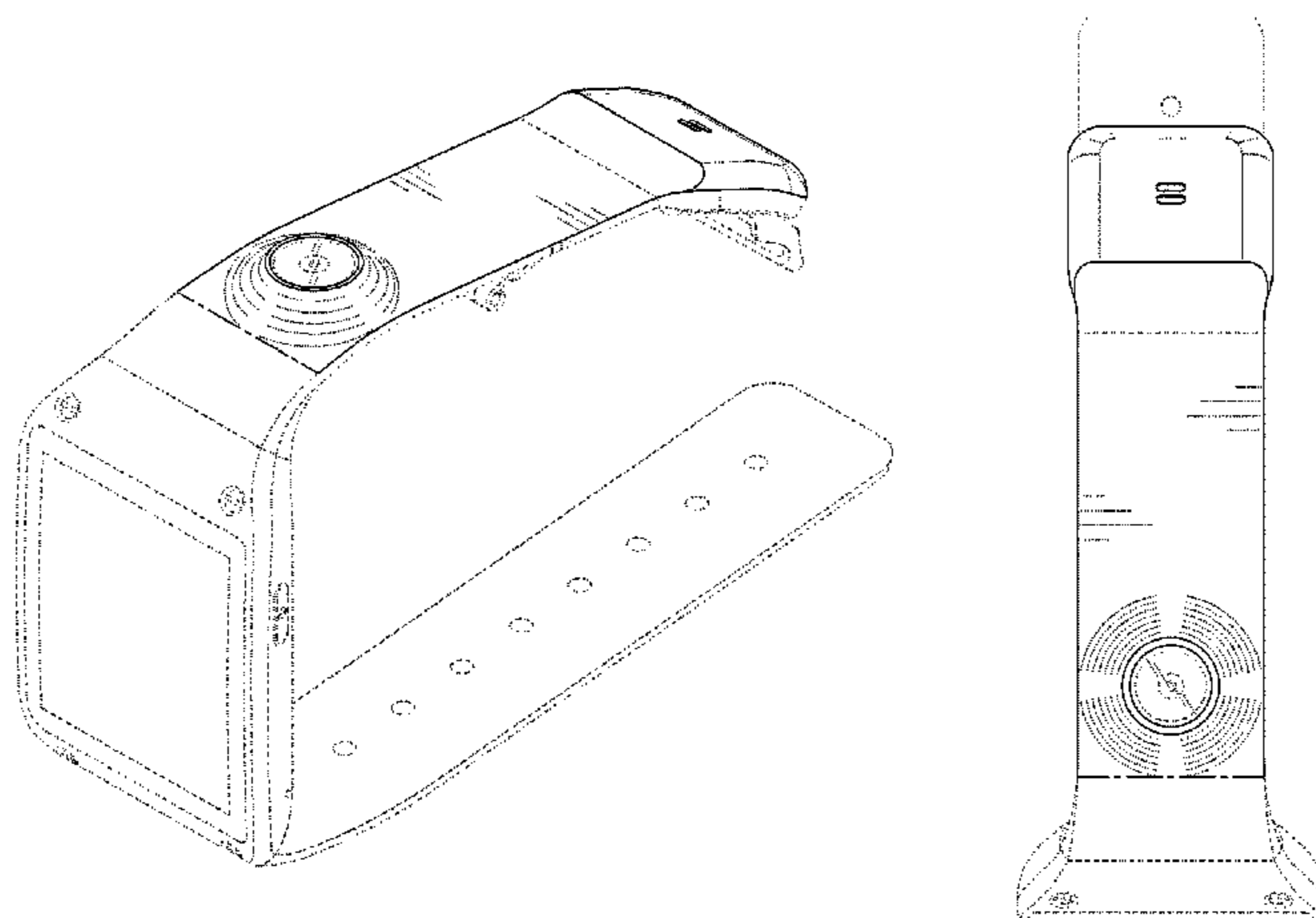
DESCRIPTION

FIG. 1 is the front perspective view of an electronic device showing my new design;
FIG. 2 is a front elevation view thereof;
FIG. 3 is a rear elevation view thereof;
FIG. 4 is a side elevation view thereof;
FIG. 5 is another side elevation view thereof;
FIG. 6 is a top plan view thereof; and,
FIG. 7 is a bottom plan view thereof.

The surface treatment of the electronic device shown in the figures forms no part of the claimed design.

The broken lines depict portions of the electronic device that form no part of the claimed design. The dash-dot lines represent boundary between claimed and unclaimed portions of the design.

1 Claim, 7 Drawing Sheets



(56)

References Cited

U.S. PATENT DOCUMENTS

D410,406 S *	6/1999	Iwamoto et al.	D11/3	8,370,549 B2 *	2/2013	Burton et al.	710/63
6,212,414 B1 *	4/2001	Alameh et al.	455/575.6	D684,879 S *	6/2013	Hwang	D11/3
D443,221 S *	6/2001	Jacob et al.	D11/3	8,506,158 B2 *	8/2013	Keung et al.	368/282
D450,613 S *	11/2001	Rantala	D11/3	D692,339 S *	10/2013	Cerrato	D11/3
D466,879 S *	12/2002	Wada et al.	D14/138 R	D692,341 S *	10/2013	Hwang	D11/3
D473,155 S *	4/2003	Bonnet	D11/26	D698,503 S *	1/2014	Fidrych et al.	D30/152
D488,391 S *	4/2004	Kume	D10/32	D709,476 S *	7/2014	Park et al.	D14/138 R
D497,827 S *	11/2004	Yamamoto	D11/3	D709,874 S *	7/2014	Aumiller et al.	D14/344
D589,375 S *	3/2009	Tang	D10/32	D710,736 S *	8/2014	Goto	D11/3
D598,301 S *	8/2009	Moritz	D10/32	D711,372 S *	8/2014	Aumiller et al.	D14/344
D610,472 S *	2/2010	Nashimoto	D10/32	D711,760 S *	8/2014	Savoy	D11/3
D628,111 S *	11/2010	Cerrato	D11/3	D711,761 S *	8/2014	Savoy	D11/3
D637,918 S *	5/2011	Cobbett et al.	D10/31	D711,872 S *	8/2014	Aumiller et al.	D14/344
D638,736 S *	5/2011	Cobbett et al.	D11/3	D711,873 S *	8/2014	Aumiller et al.	D14/344
D641,661 S *	7/2011	Zhang	D11/231	2007/0200716 A1 *	8/2007	Haase et al.	340/574
D651,115 S *	12/2011	Willows et al.	D11/3	2007/0232373 A1 *	10/2007	Yoshida et al.	455/575.6
D659,580 S *	5/2012	Veit	D11/3	2012/0250471 A1 *	10/2012	Bianco et al.	368/282
D664,880 S *	8/2012	Cobbett et al.	D11/3	2013/0001263 A1 *	1/2013	Kai	224/219
D664,881 S *	8/2012	Cobbett et al.	D11/3	2013/0088942 A1 *	4/2013	Perko et al.	368/278
8,301,211 B2 *	10/2012	Lee et al.	455/575.6	2013/0219960 A1 *	8/2013	Gerard-Goddet	63/3.2
D673,334 S *	12/2012	Guo	D30/152	2013/0261405 A1 *	10/2013	Lee et al.	600/301
				2014/0078871 A1 *	3/2014	Savoy	368/282
				2014/0143785 A1 *	5/2014	Mistry et al.	718/104

* cited by examiner

FIG.1

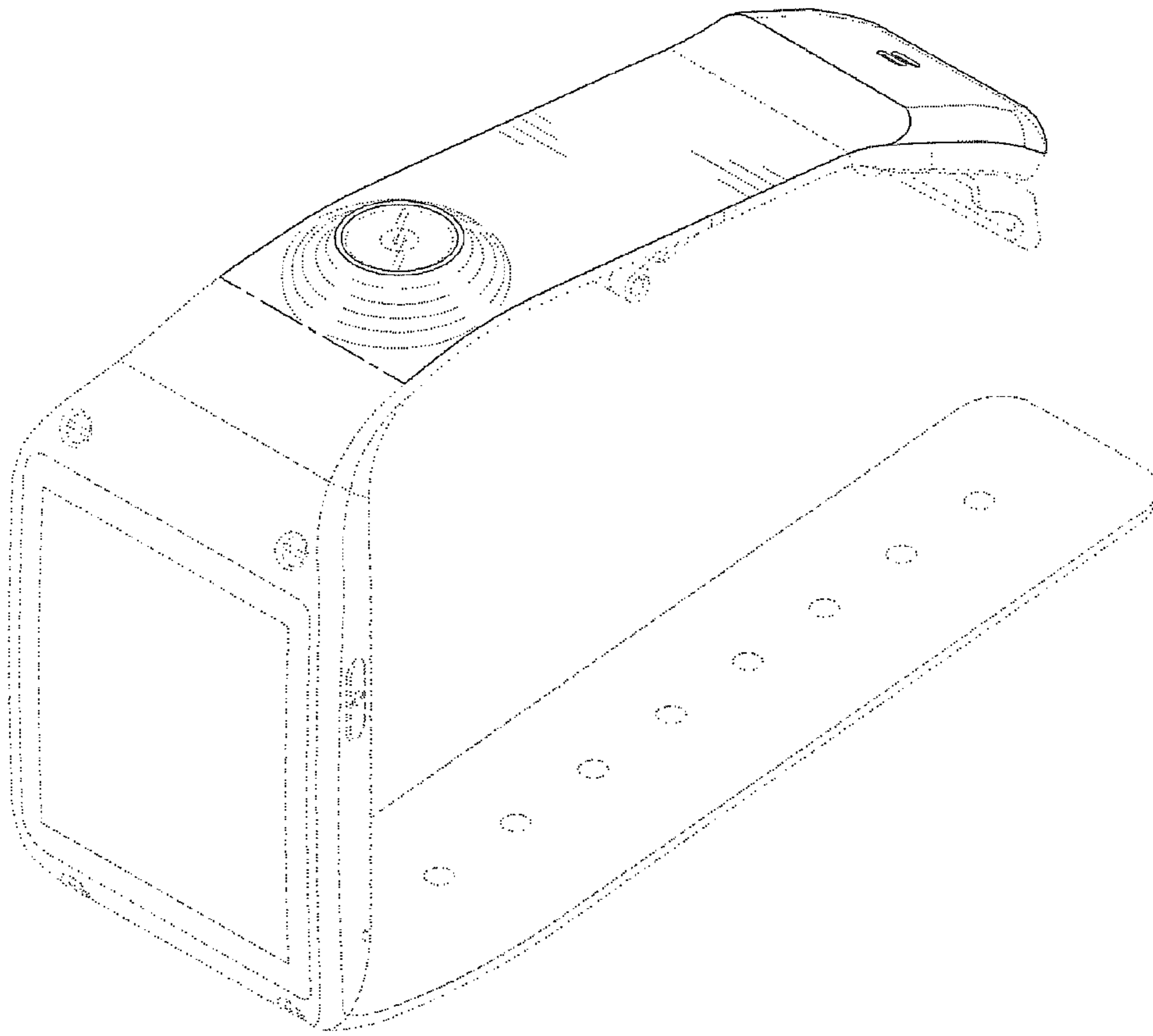


FIG.2

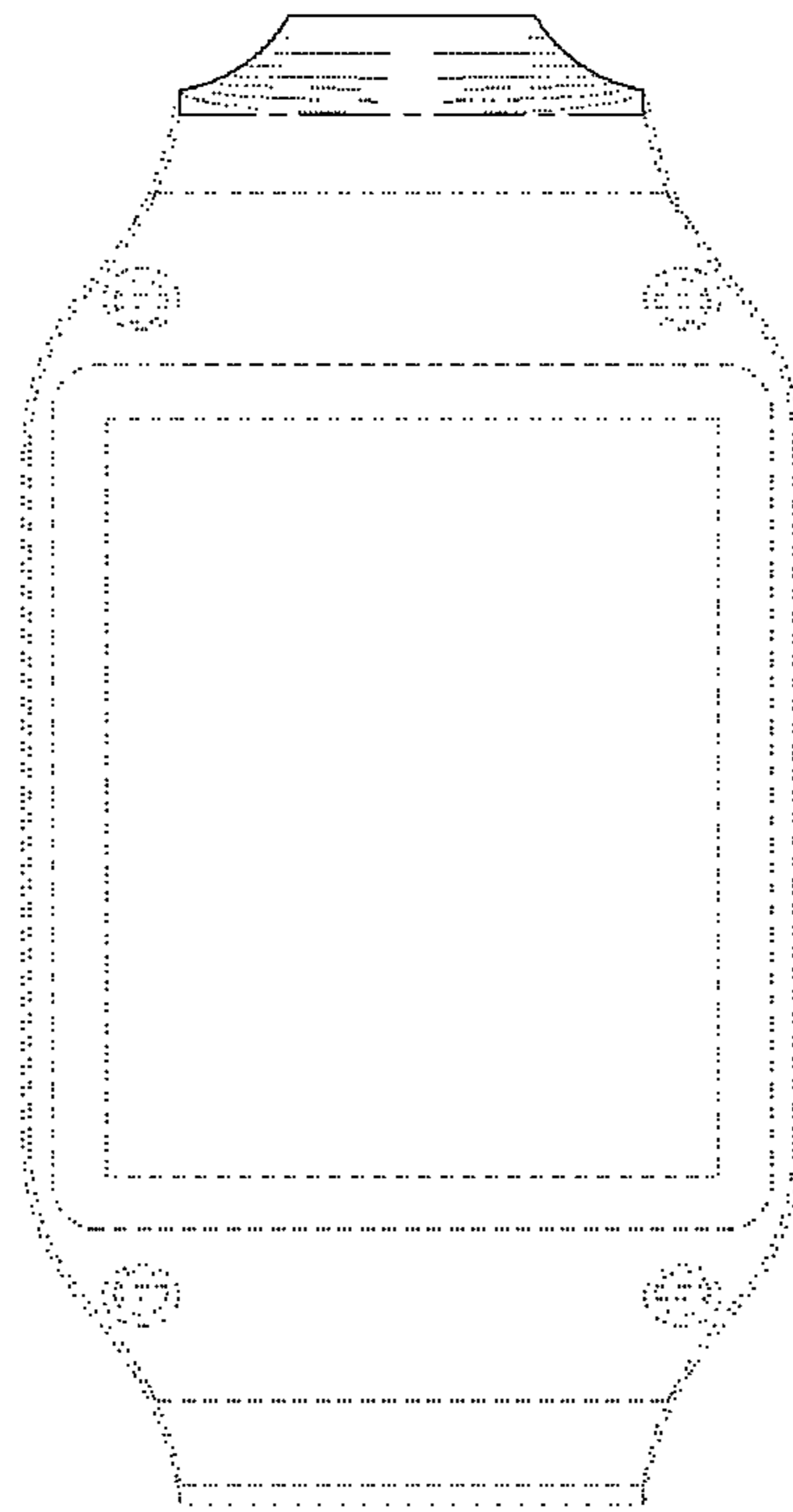


FIG.3

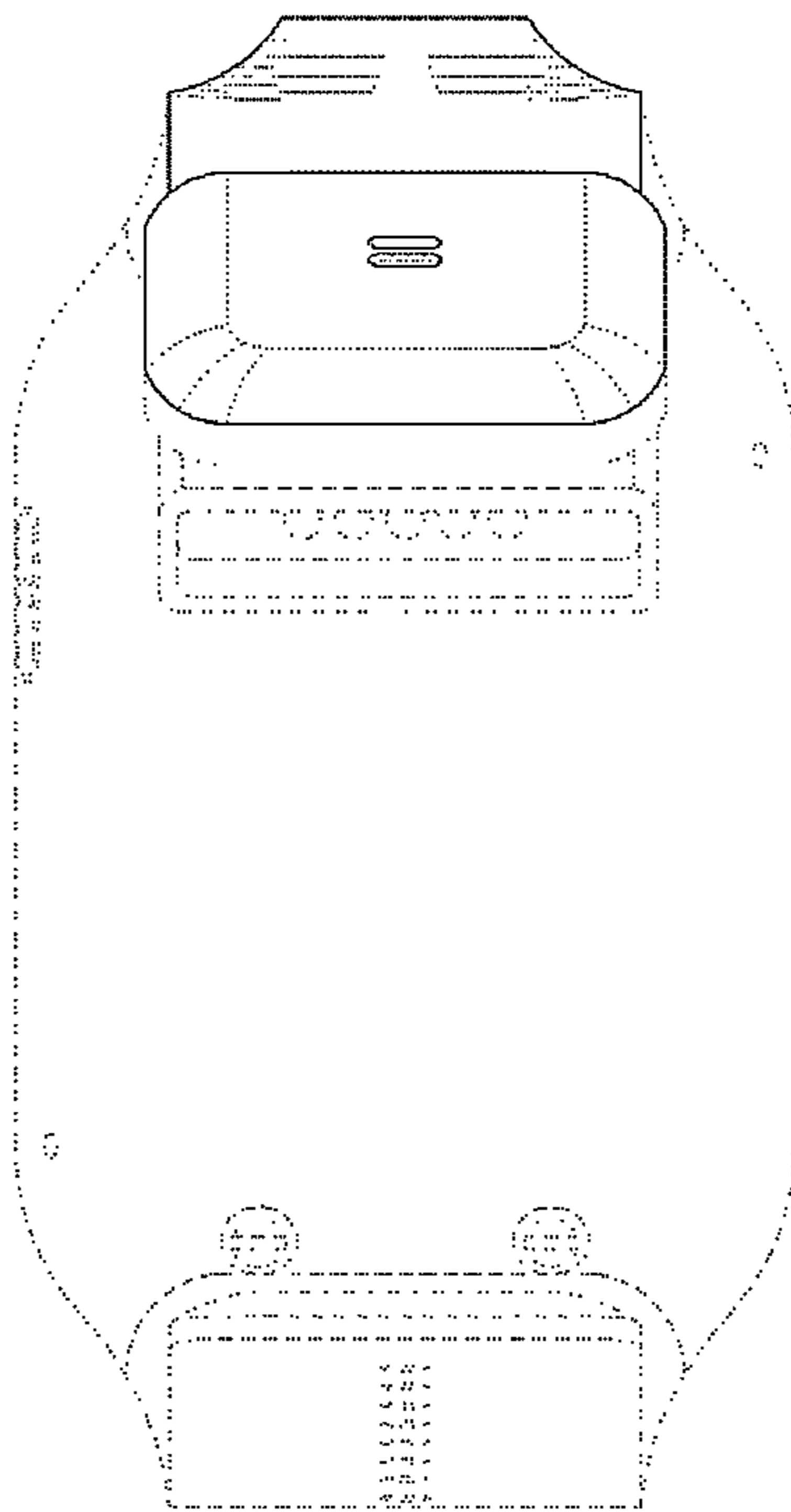


FIG.4

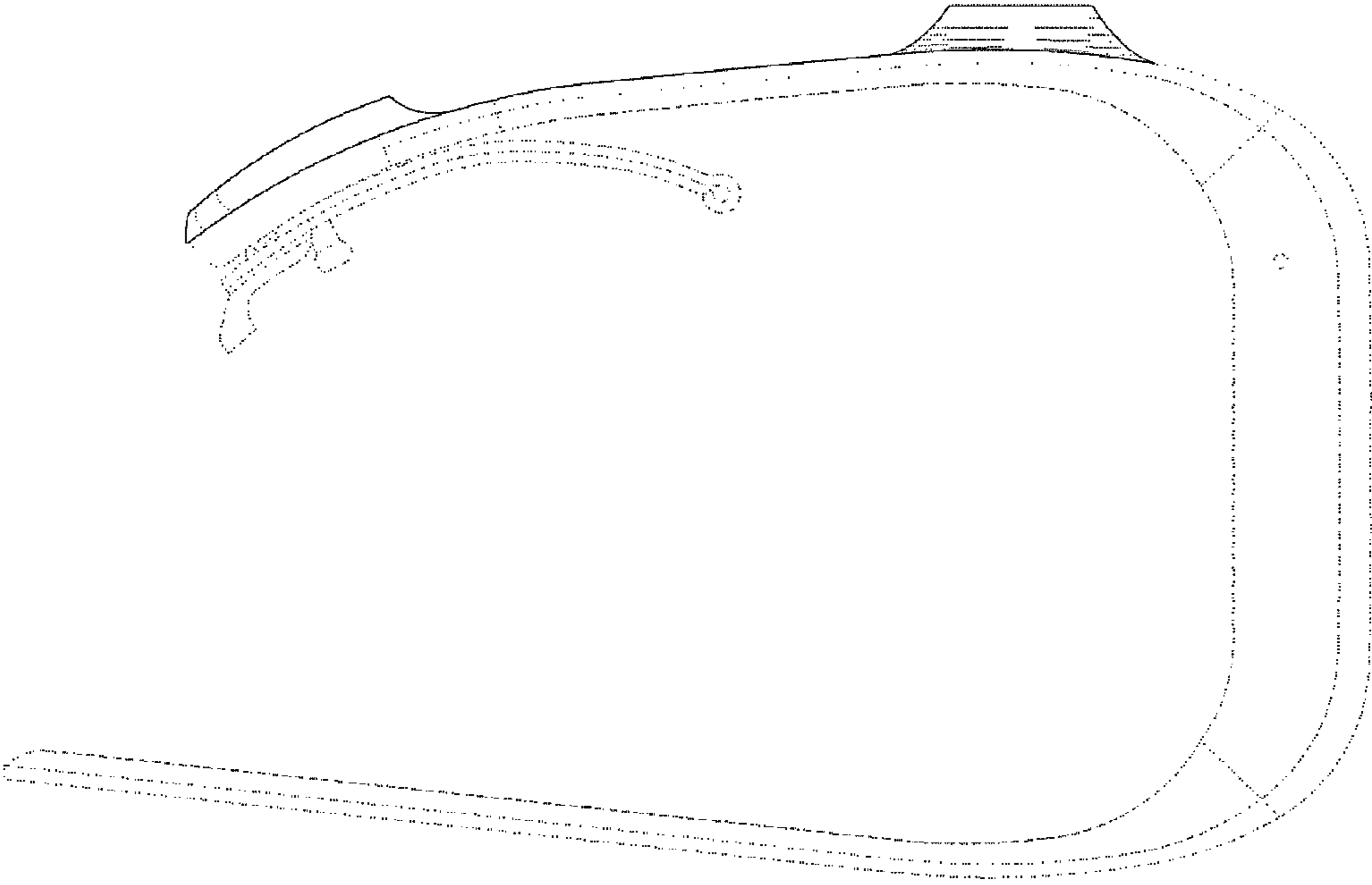


FIG.5

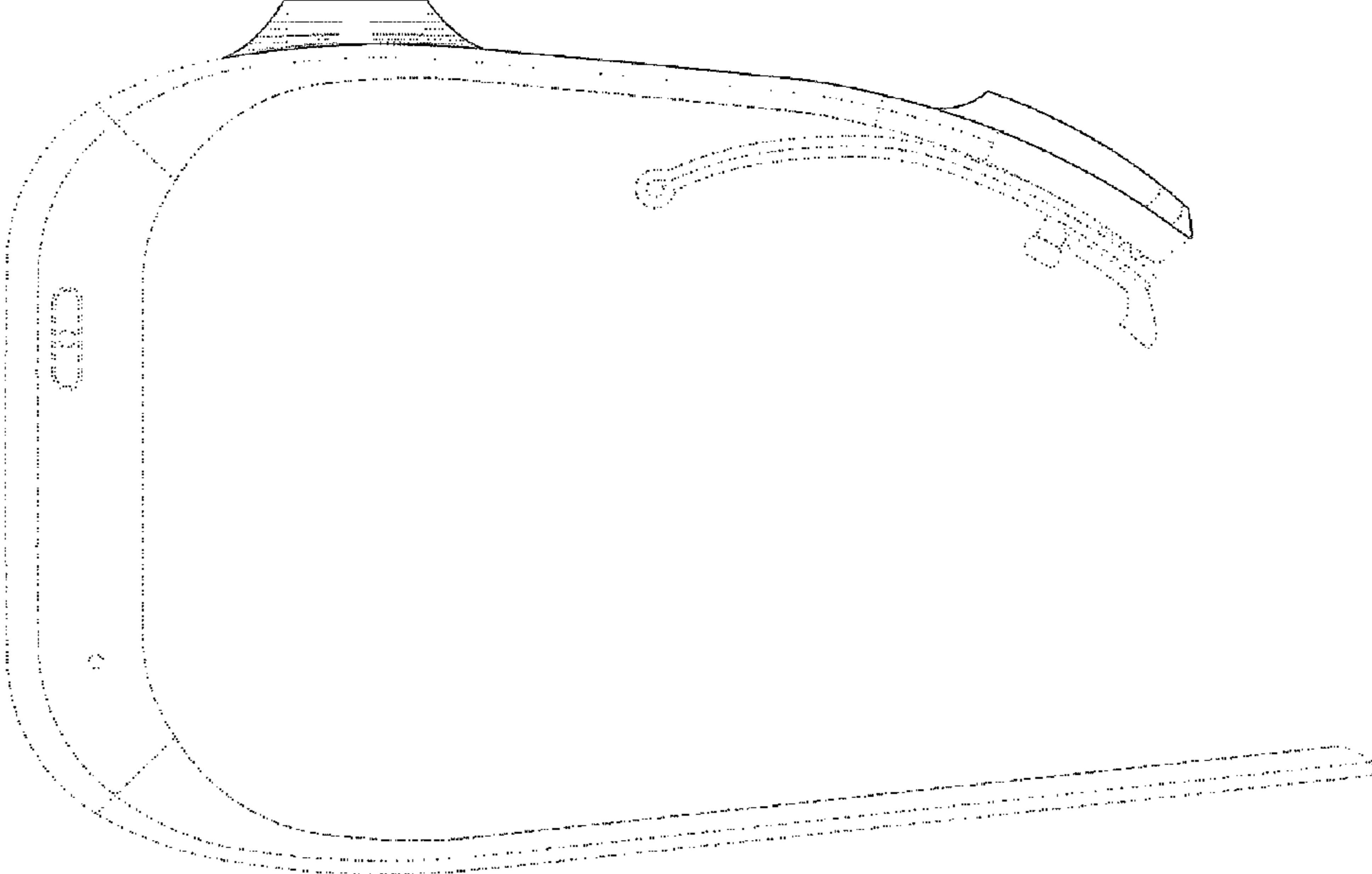


FIG.6

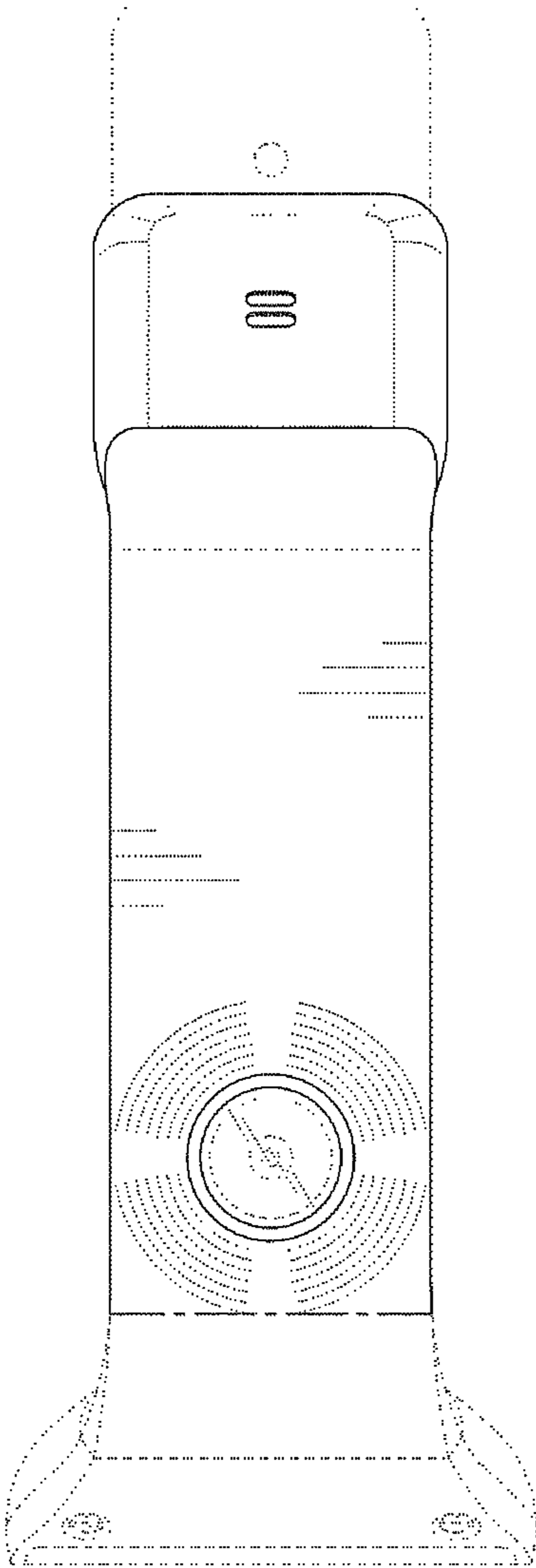


FIG.7

