



US00D727312S

(12) **United States Design Patent**  
**Lee et al.**

(10) **Patent No.:** **US D727,312 S**  
(45) **Date of Patent:** **\*\* Apr. 21, 2015**

(54) **PORTABLE COMPUTER**

(71) Applicant: **Samsung Electronics Co., Ltd.**,  
Suwon-si (KR)  
(72) Inventors: **Sang-Eun Lee**, Seoul (KR); **Jung-Hyun Park**, Yongin-si (KR)  
(73) Assignee: **Samsung Electronics Co., Ltd.** (KR)  
(\*\*) Term: **14 Years**

(21) Appl. No.: **29/473,000**  
(22) Filed: **Nov. 18, 2013**

(30) **Foreign Application Priority Data**  
Jul. 25, 2013 (KR) ..... 30-2013-0038560  
(51) **LOC (10) Cl.** ..... **14-02**  
(52) **U.S. Cl.**  
USPC ..... **D14/315**  
(58) **Field of Classification Search**  
USPC ..... D14/315–327, 455; D18/1, 2, 7, 11;  
235/145 A, 145 R; 341/22, 23; 345/104,  
345/156, 168, 169, 173; 361/679.08,  
361/679.09, 679.11, 679.26, 679.27

See application file for complete search history.

(56) **References Cited**

U.S. PATENT DOCUMENTS

D631,472 S \* 1/2011 Kawase et al. .... D14/327  
D631,879 S \* 2/2011 Kawase ..... D14/327  
D651,206 S \* 12/2011 Kim et al. .... D14/315

\* cited by examiner

*Primary Examiner* — Freda S Nunn  
(74) *Attorney, Agent, or Firm* — Cantor Colburn LLP

(57) **CLAIM**  
The ornamental design for a portable computer, as shown and described.

**DESCRIPTION**

FIG. 1 is a top rear perspective view of a portable computer showing our new design;  
FIG. 2 is a front view thereof;  
FIG. 3 is a rear view thereof;  
FIG. 4 is a side view thereof;  
FIG. 5 is another side view thereof;  
FIG. 6 is a top view thereof;  
FIG. 7 is a bottom view thereof;  
FIG. 8 is an enlarged view of the encircled portion A as shown in FIG. 1; and,  
FIG. 9 is an enlarged view of the encircled portion B as shown in FIG. 7.  
The broken lines illustrating portions of the portable computer are for environmental purposes only and form no part of the claimed design.  
The dot-dash broken lines represent unclaimed boundary lines and form no part of the claimed design.  
The broken lines surrounding and forming the circles around portions A and B form no part of the claimed design.

**1 Claim, 8 Drawing Sheets**

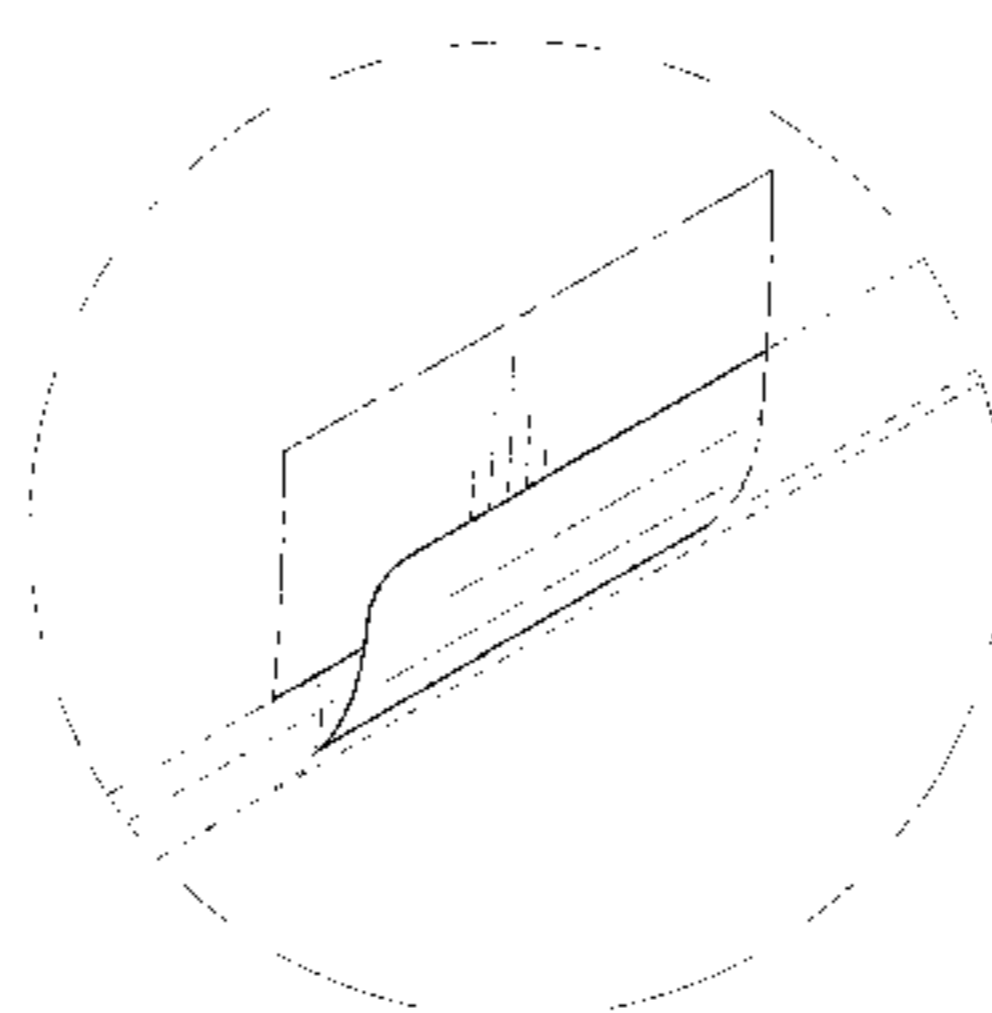
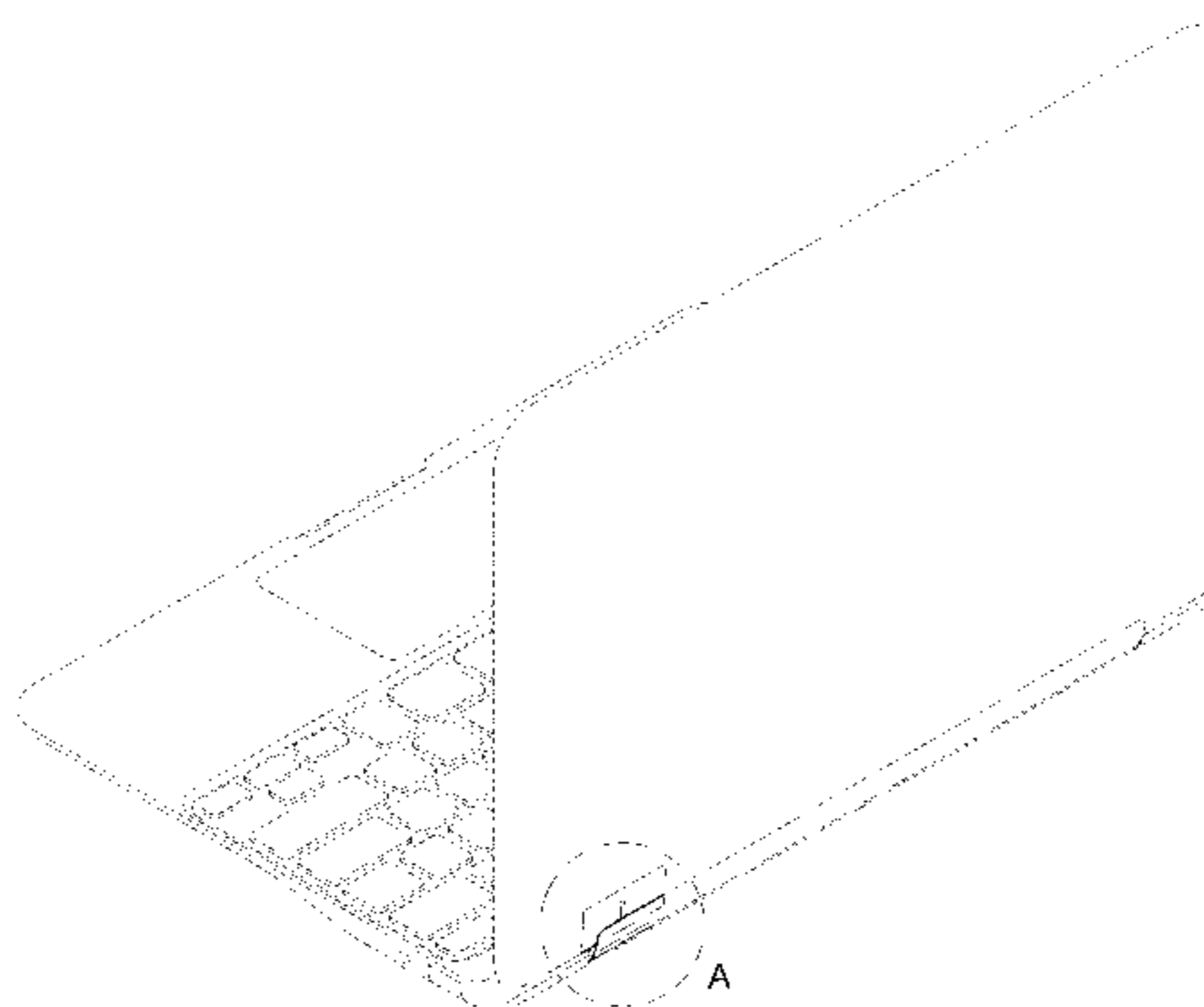


FIG.1

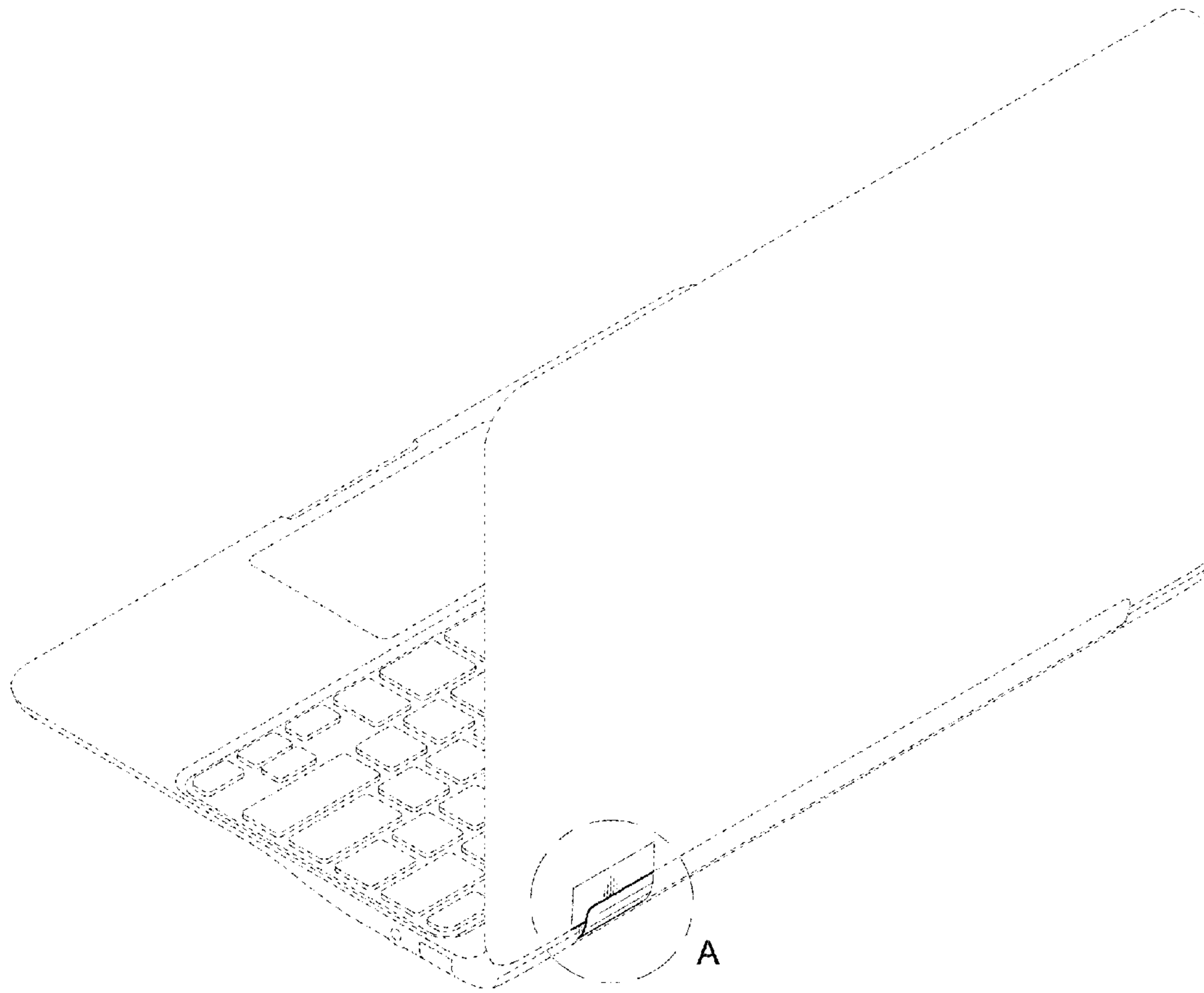


FIG.2

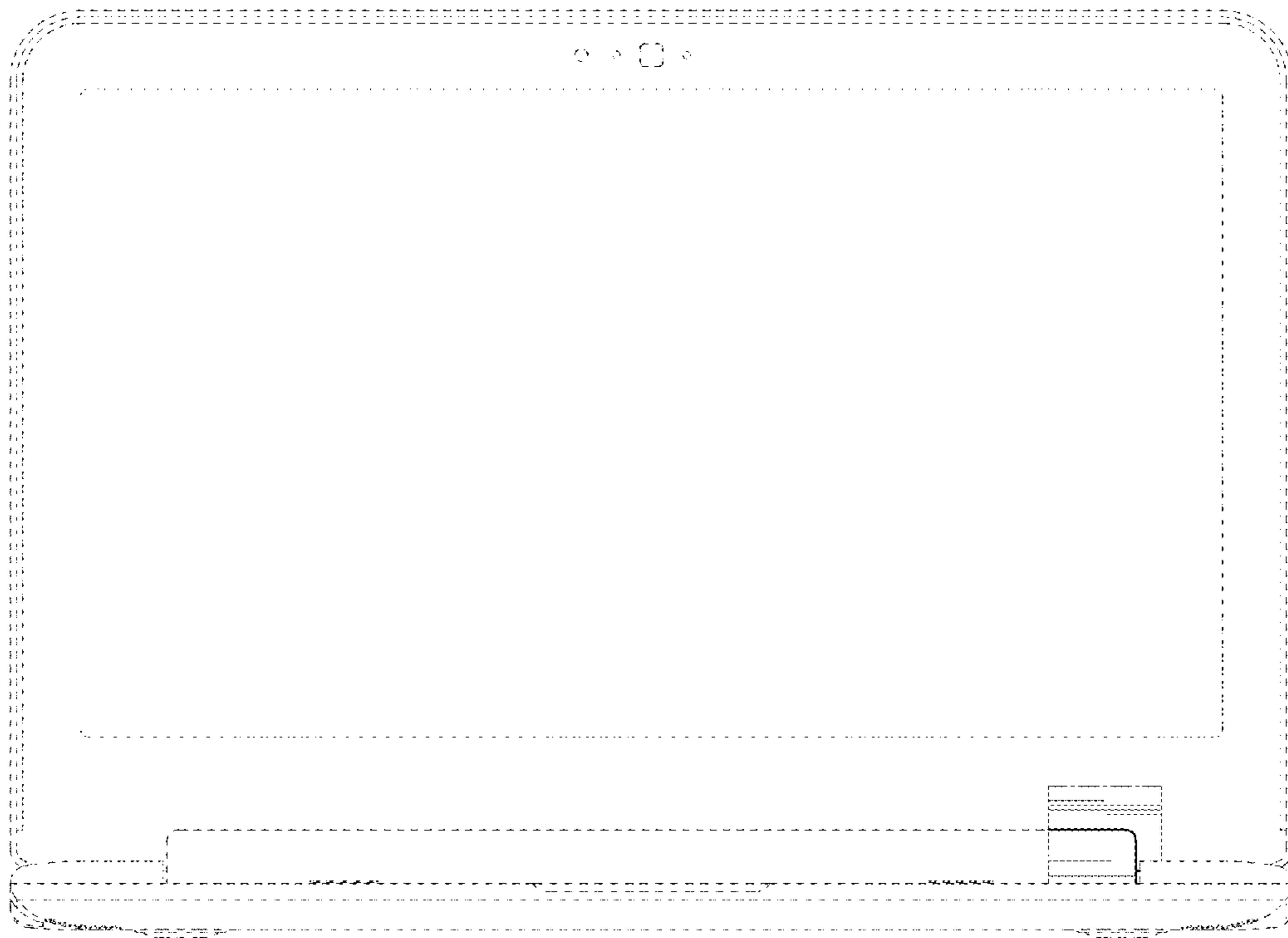


FIG.3



FIG.4

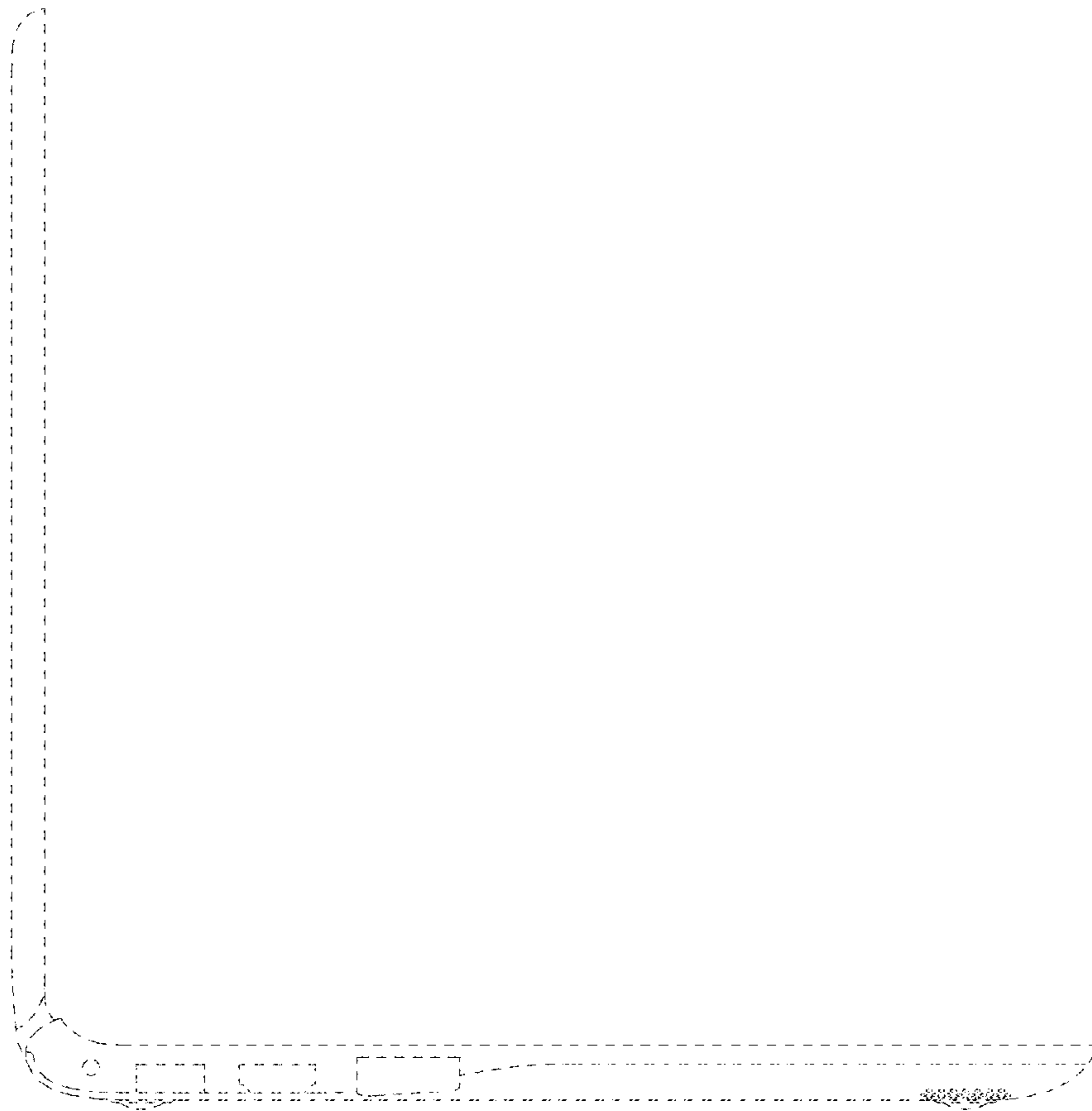


FIG.5



FIG.6

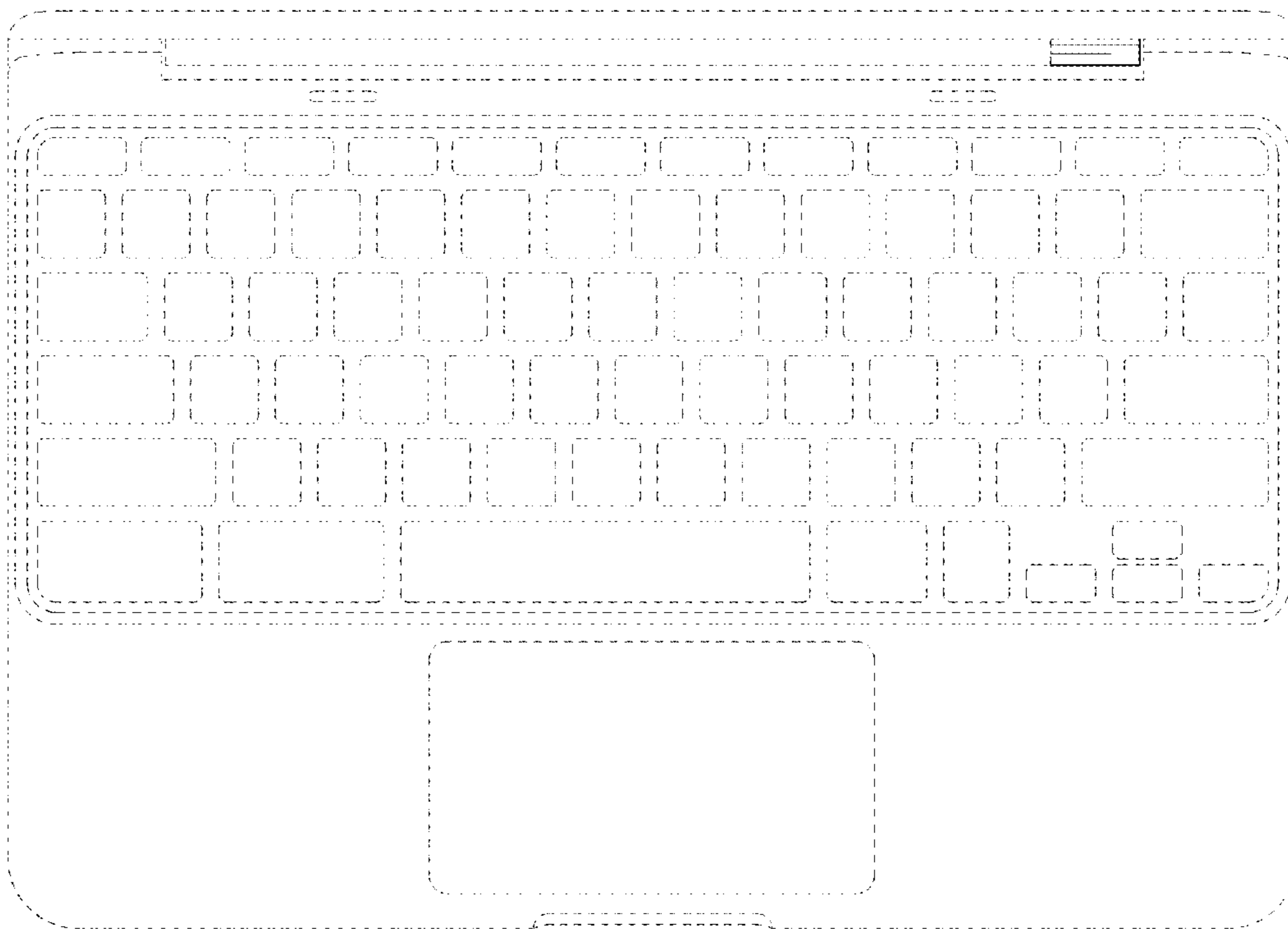


FIG.7

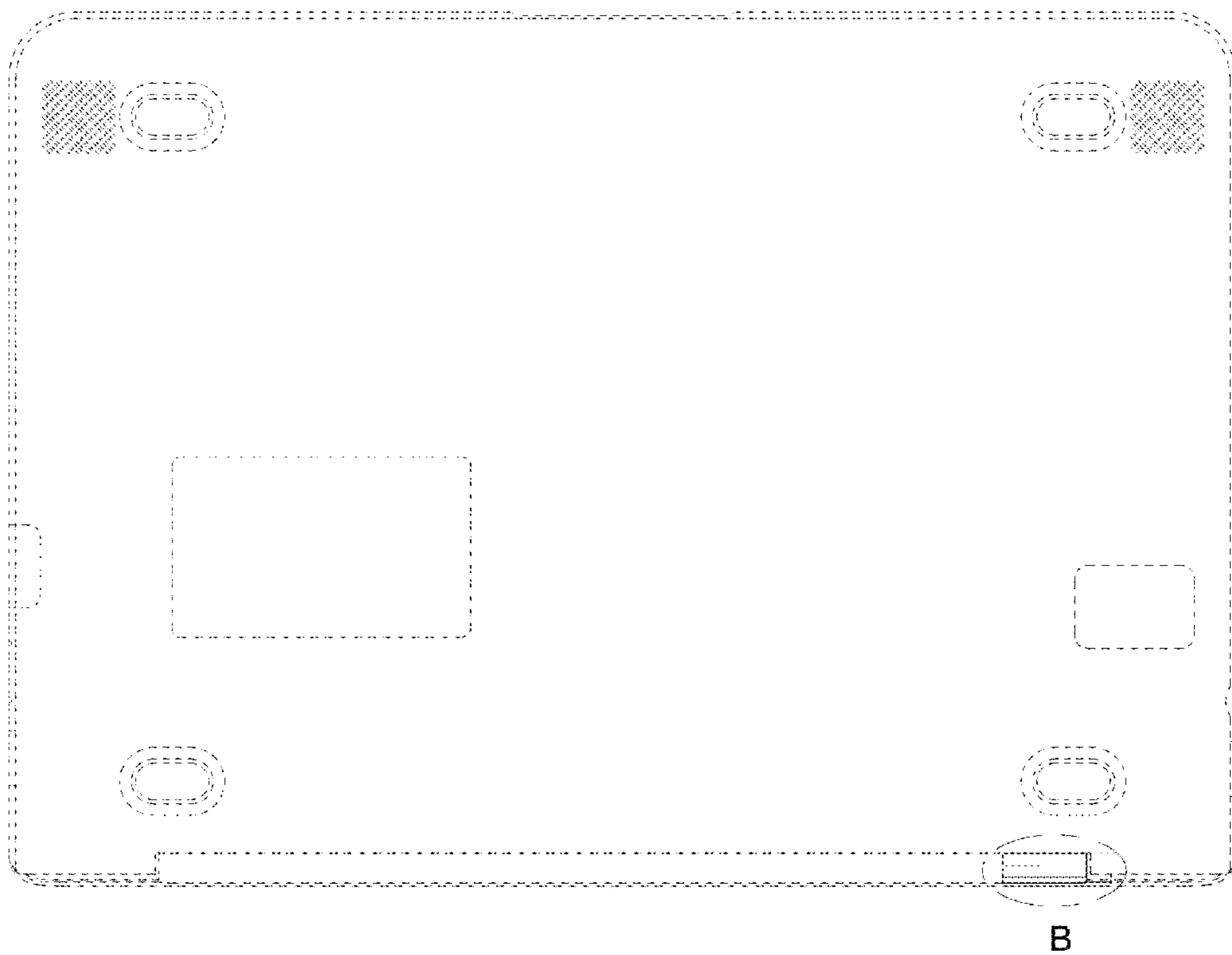




FIG.8

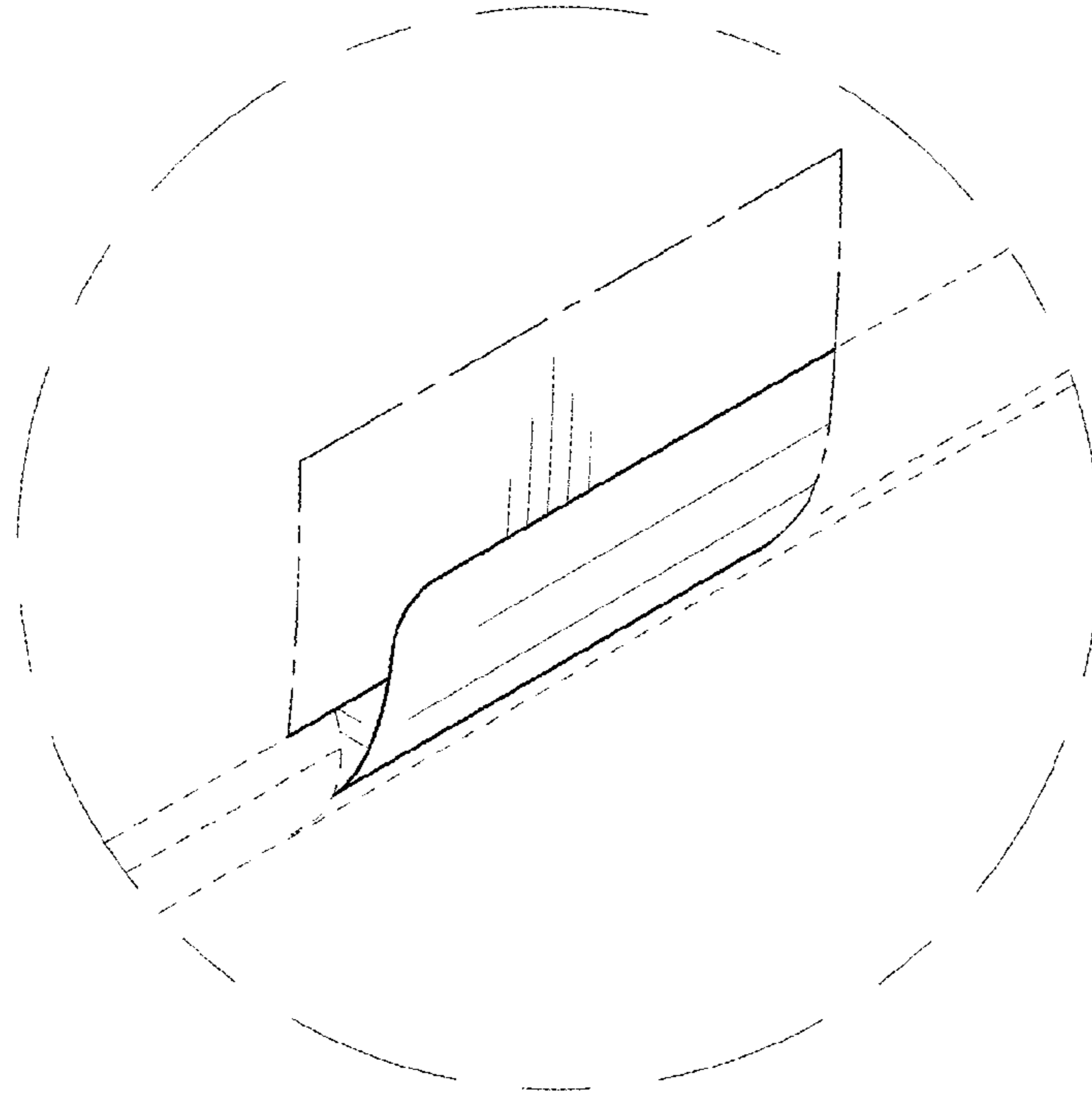


FIG.9

