



US00D727310S

(12) **United States Design Patent**  
**Senatori**

(10) **Patent No.:** **US D727,310 S**

(45) **Date of Patent:** **\*\* Apr. 21, 2015**

(54) **COMPUTING DEVICE**

(71) Applicant: **Hewlett-Packard Development Company, L.P.**, Houston, TX (US)

(72) Inventor: **Mark D. Senatori**, The Woodlands, TX (US)

(73) Assignee: **Hewlett-Packard Development Company, L.P.**, Houston, TX (US)

(\*\*) Term: **14 Years**

(21) Appl. No.: **29/466,716**

(22) Filed: **Sep. 11, 2013**

(51) **LOC (10) Cl.** ..... **14-02**

(52) **U.S. Cl.**  
USPC ..... **D14/315**

(58) **Field of Classification Search**  
USPC ..... D14/315-327, 331; D18/1, 2, 7, 11;  
235/145 A, 145 R; 341/22, 23; 345/104,  
345/156, 168, 169, 173; 361/679.06,  
361/679.08, 679.09, 679.11, 679.26,  
361/679.27; 379/433.12, 433.13  
See application file for complete search history.

(56) **References Cited**

**U.S. PATENT DOCUMENTS**

6,826,043	B2 *	11/2004	Chang	.....	361/679.27
D528,541	S *	9/2006	Maskatia	.....	D14/315
7,158,634	B2 *	1/2007	Eromaki	.....	379/433.13
7,599,487	B2 *	10/2009	Lim	.....	379/433.12
7,690,576	B2 *	4/2010	Ladouceur et al.	.....	235/486
8,203,832	B2 *	6/2012	Szabolcsi	.....	361/679.06
2004/0125549	A1 *	7/2004	Iredale	.....	361/681
2004/0160736	A1 *	8/2004	Lin	.....	361/683

2005/0044665 A1\* 3/2005 Kuramochi ..... 16/341

\* cited by examiner

*Primary Examiner* — Freda S Nunn

(74) *Attorney, Agent, or Firm* — Rathe Lindenbaum LLP

(57) **CLAIM**

I claim the ornamental design for a computing device, as shown and described.

**DESCRIPTION**

FIG. 1 is a front perspective view of a computing device in an open forward facing and tilted display state;

FIG. 2 is a front view thereof;

FIG. 3 is a rear view thereof;

FIG. 4 is a right side view thereof;

FIG. 5 is a left side view thereof;

FIG. 6 is a top view thereof;

FIG. 7 is a bottom view thereof; and

FIG. 8 is a rear perspective view thereof;

FIG. 9 is a front perspective view of the computing device in a closed upward facing display state;

FIG. 10 is a rear perspective view of the computing device in the closed upward facing display state;

FIG. 11 is a front perspective view of the computing device in an open rearward facing display state;

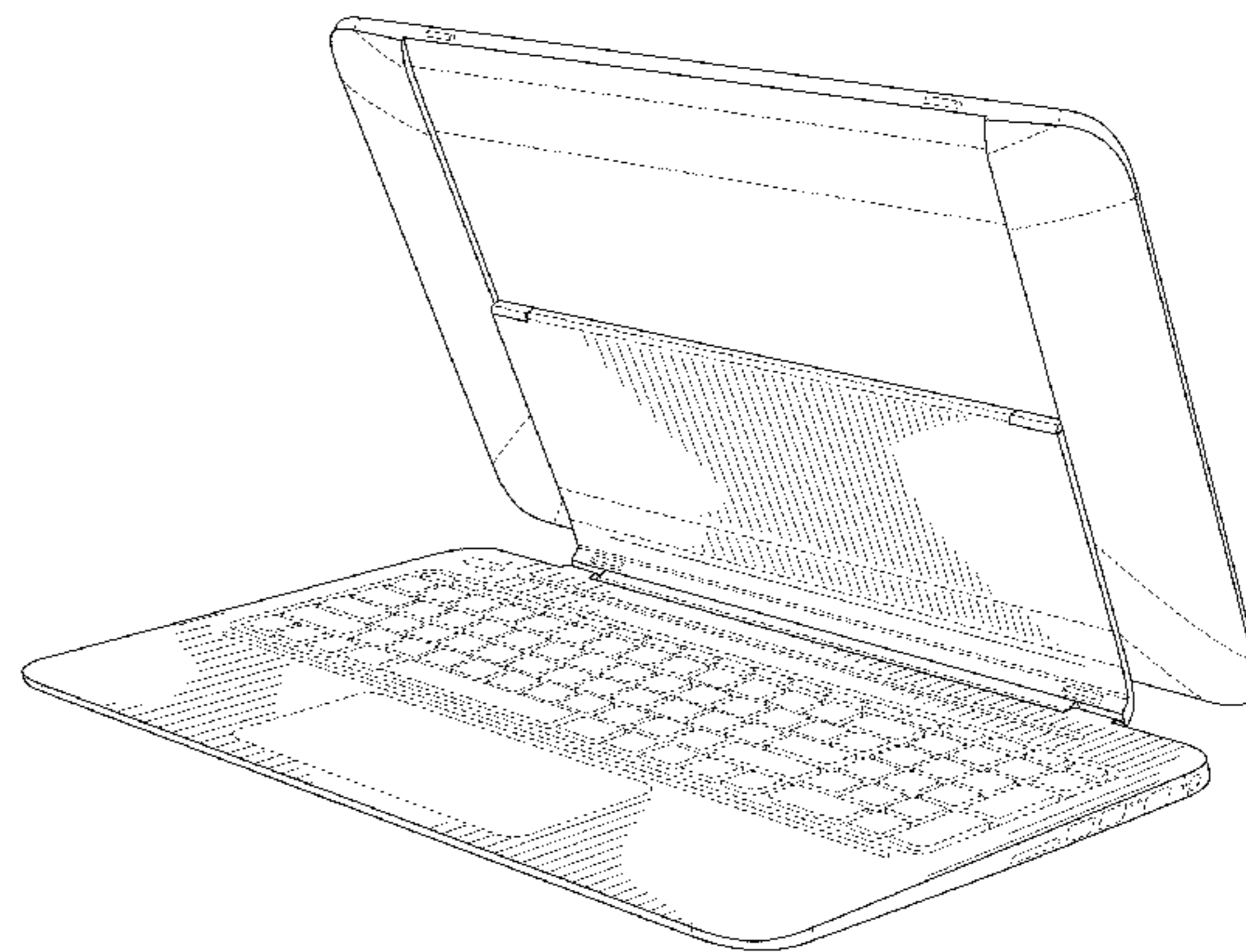
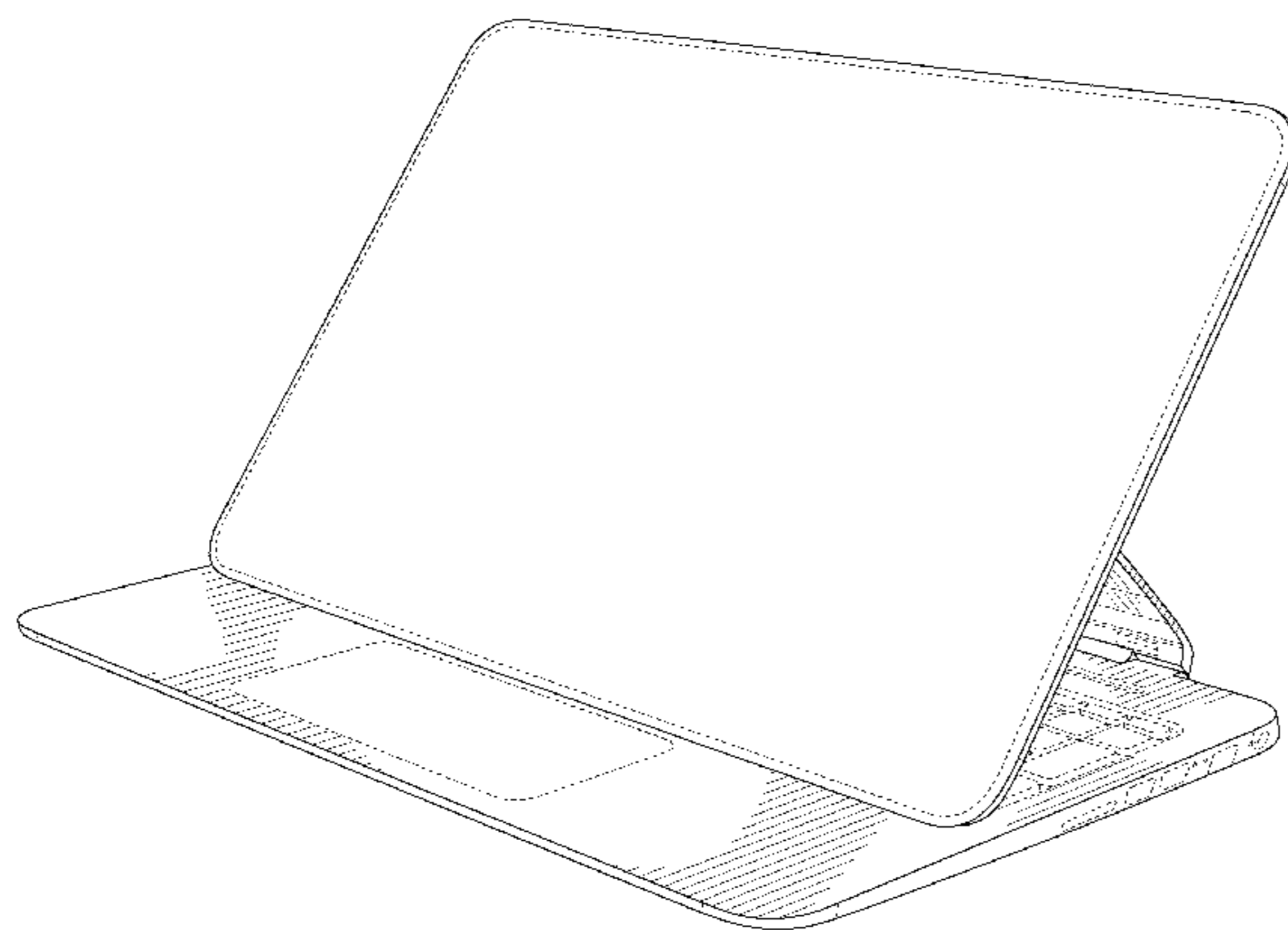
FIG. 12 is a rear perspective view of the computing device in the open rearward facing display state;

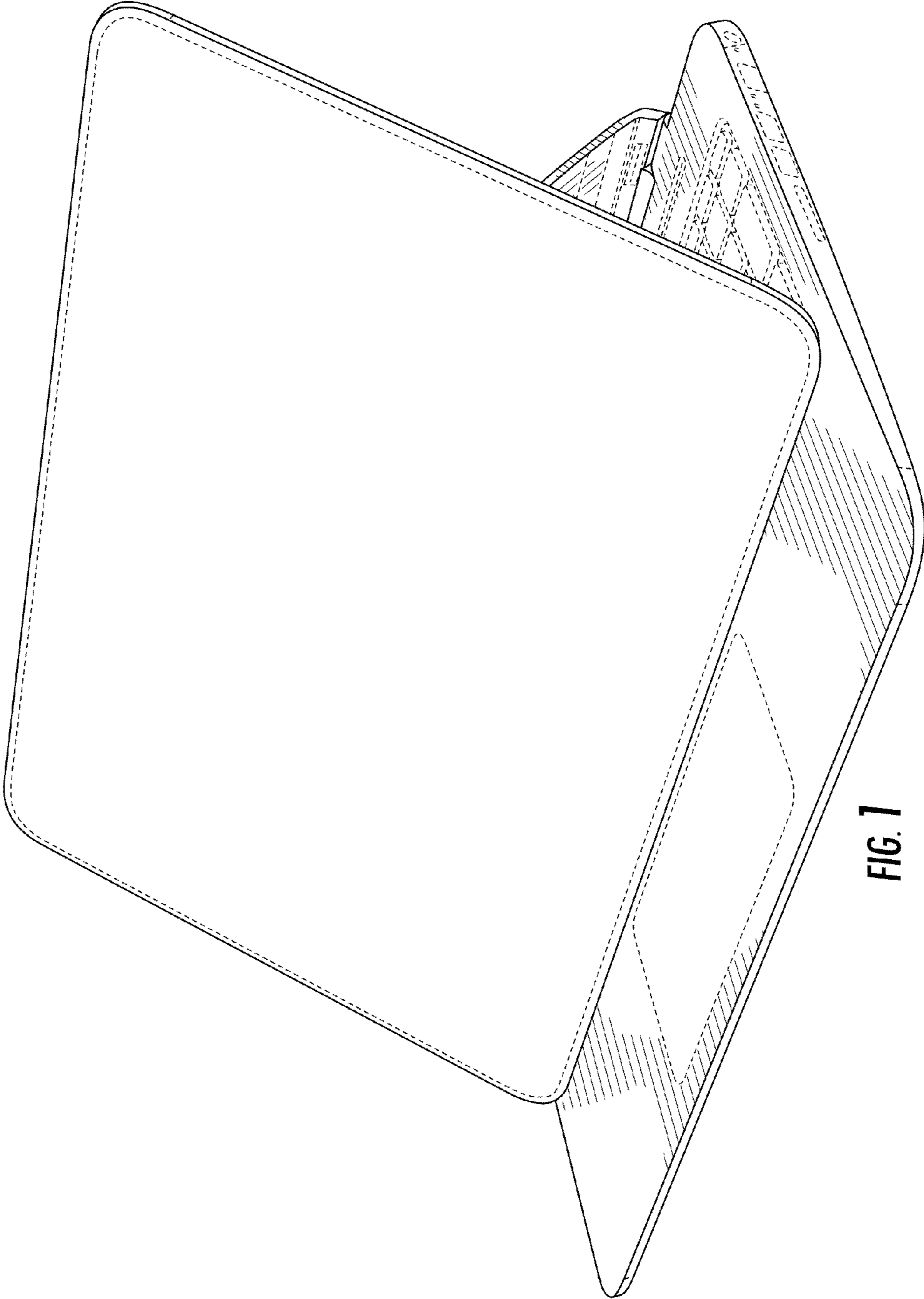
FIG. 13 is a front perspective view of the computing device in an open forward facing and upright display state; and,

FIG. 14 is a rear perspective view of the computing device in the open forward facing and upright display state.

The broken lines in the drawings illustrate portions of the computing device and form no part of the claimed design.

**1 Claim, 14 Drawing Sheets**





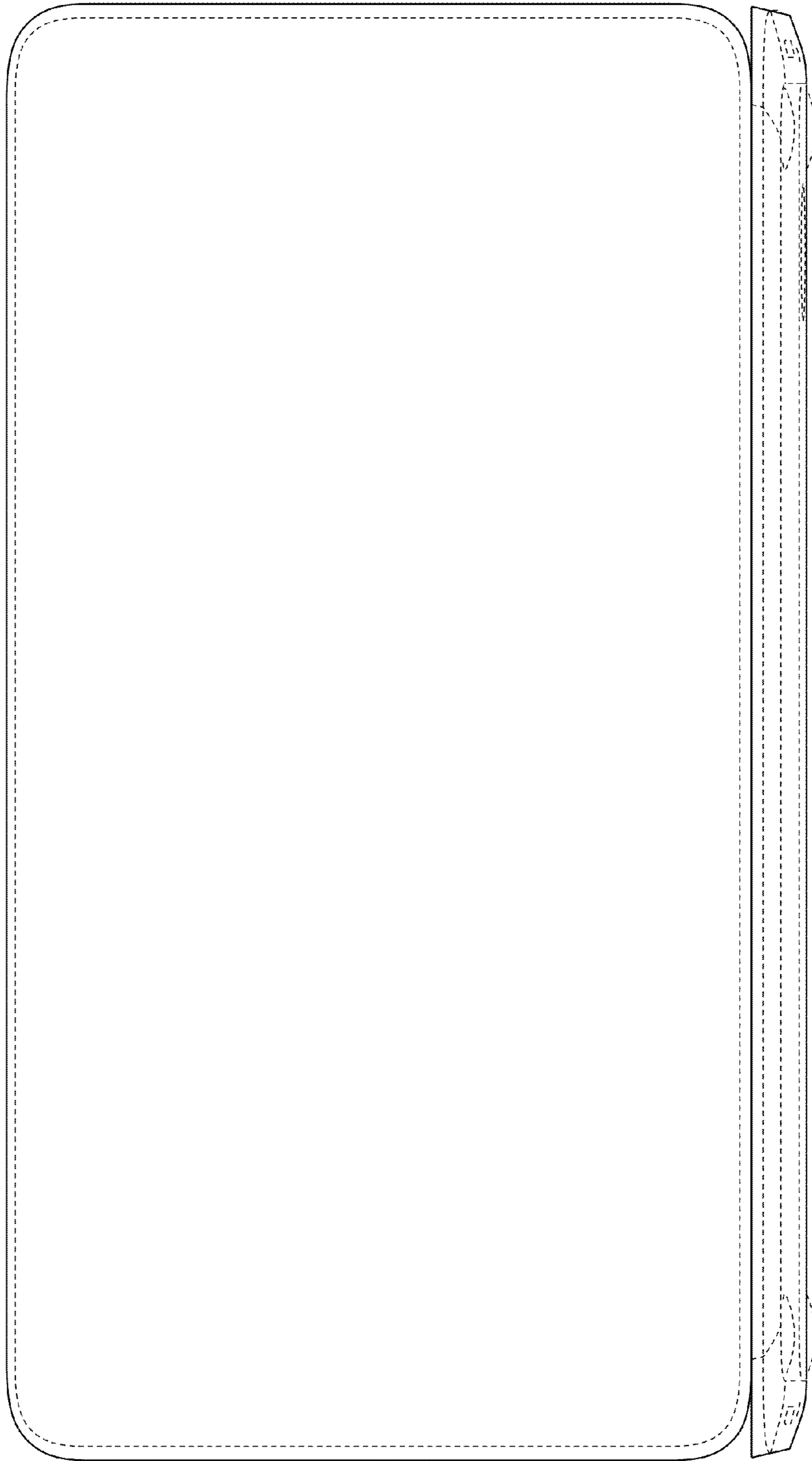


FIG. 2

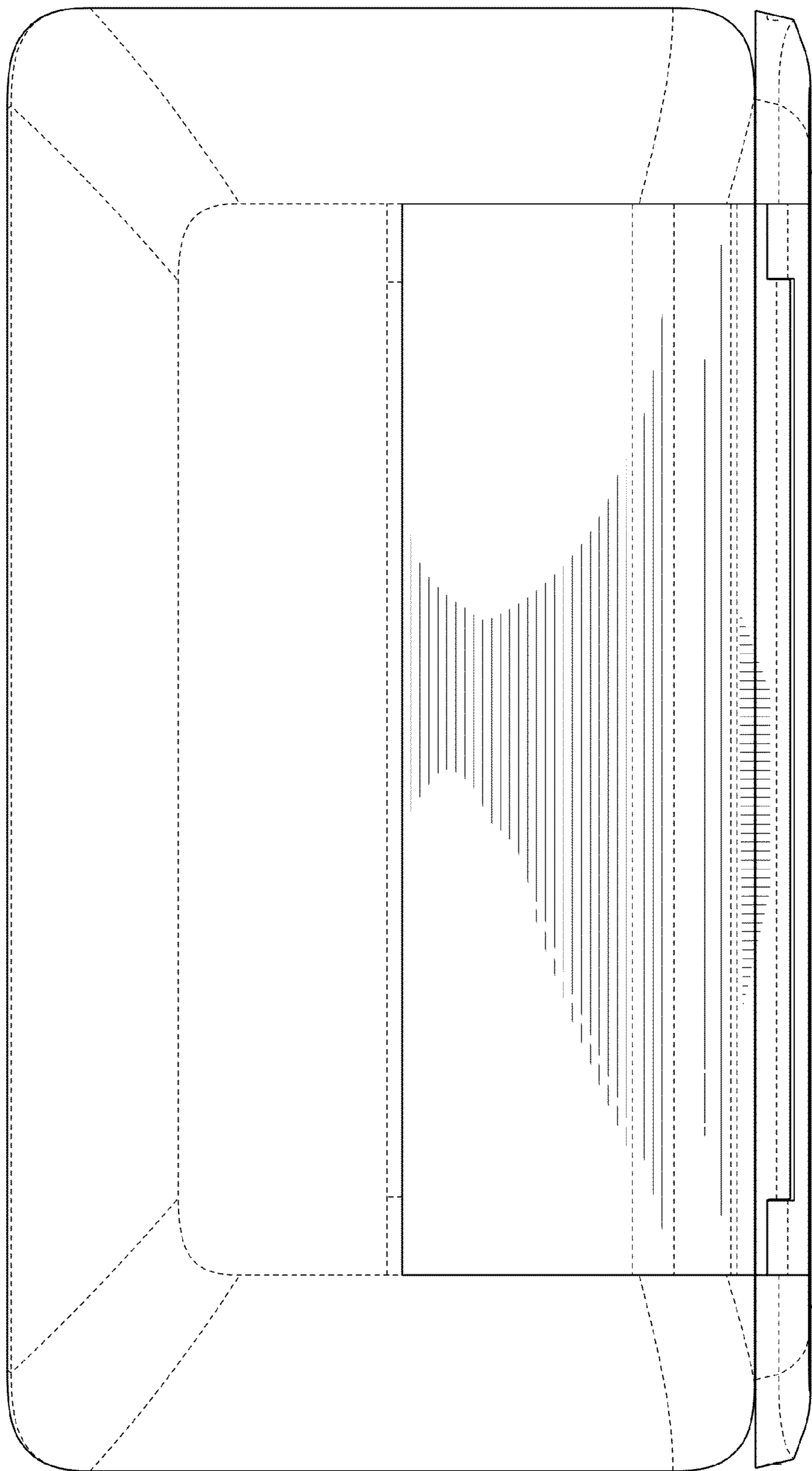


FIG. 3

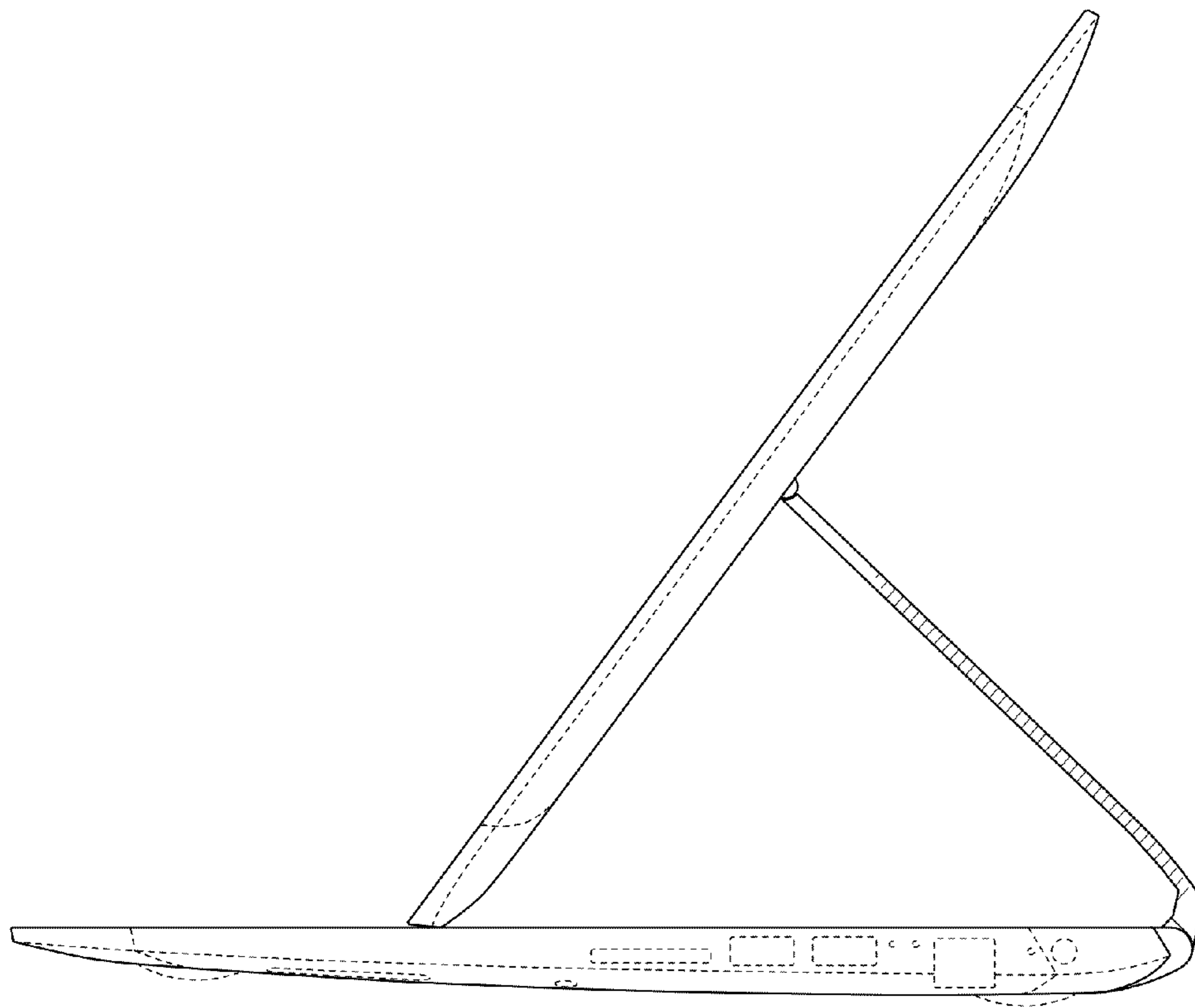


FIG. 4

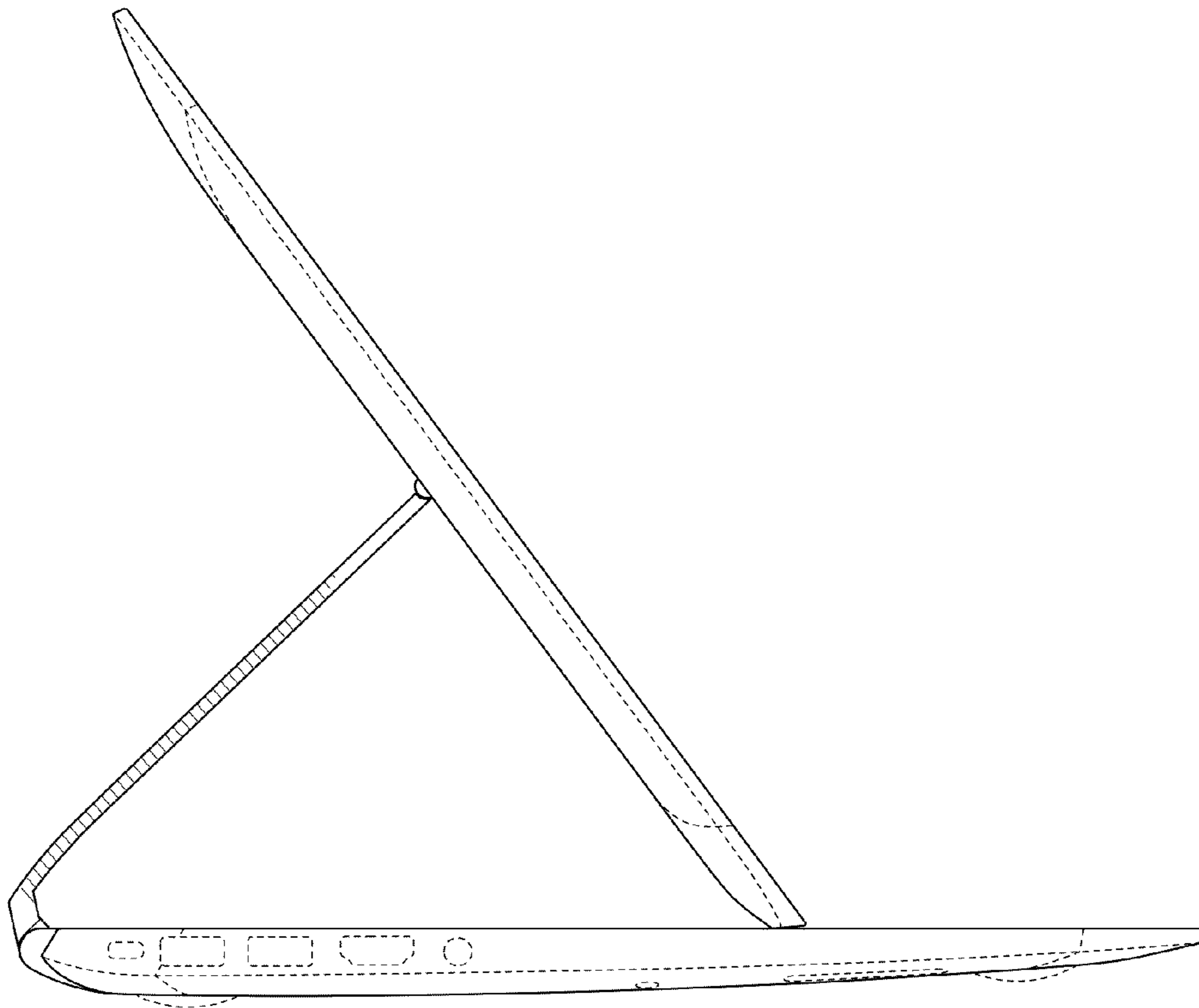


FIG. 5

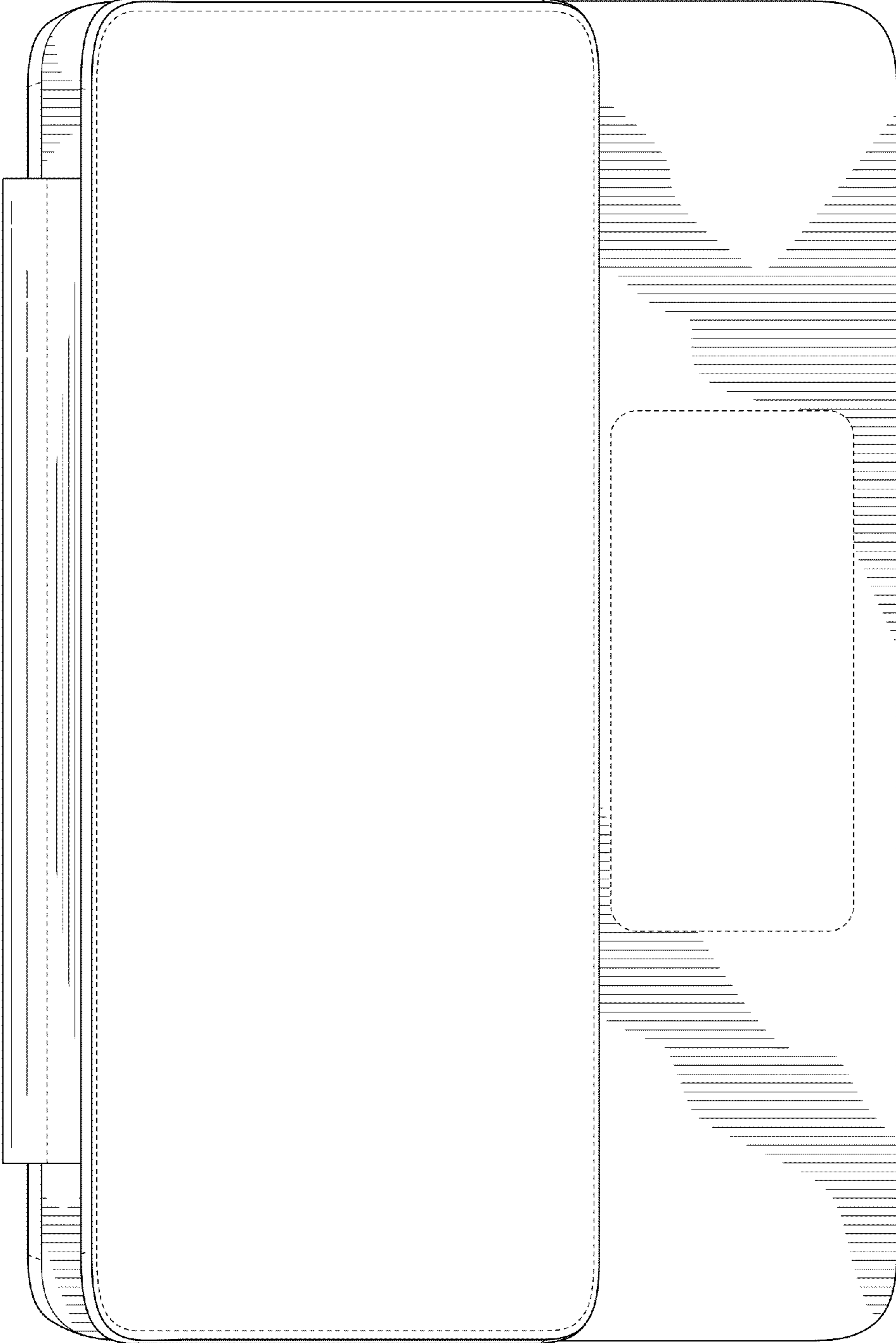


FIG. 6

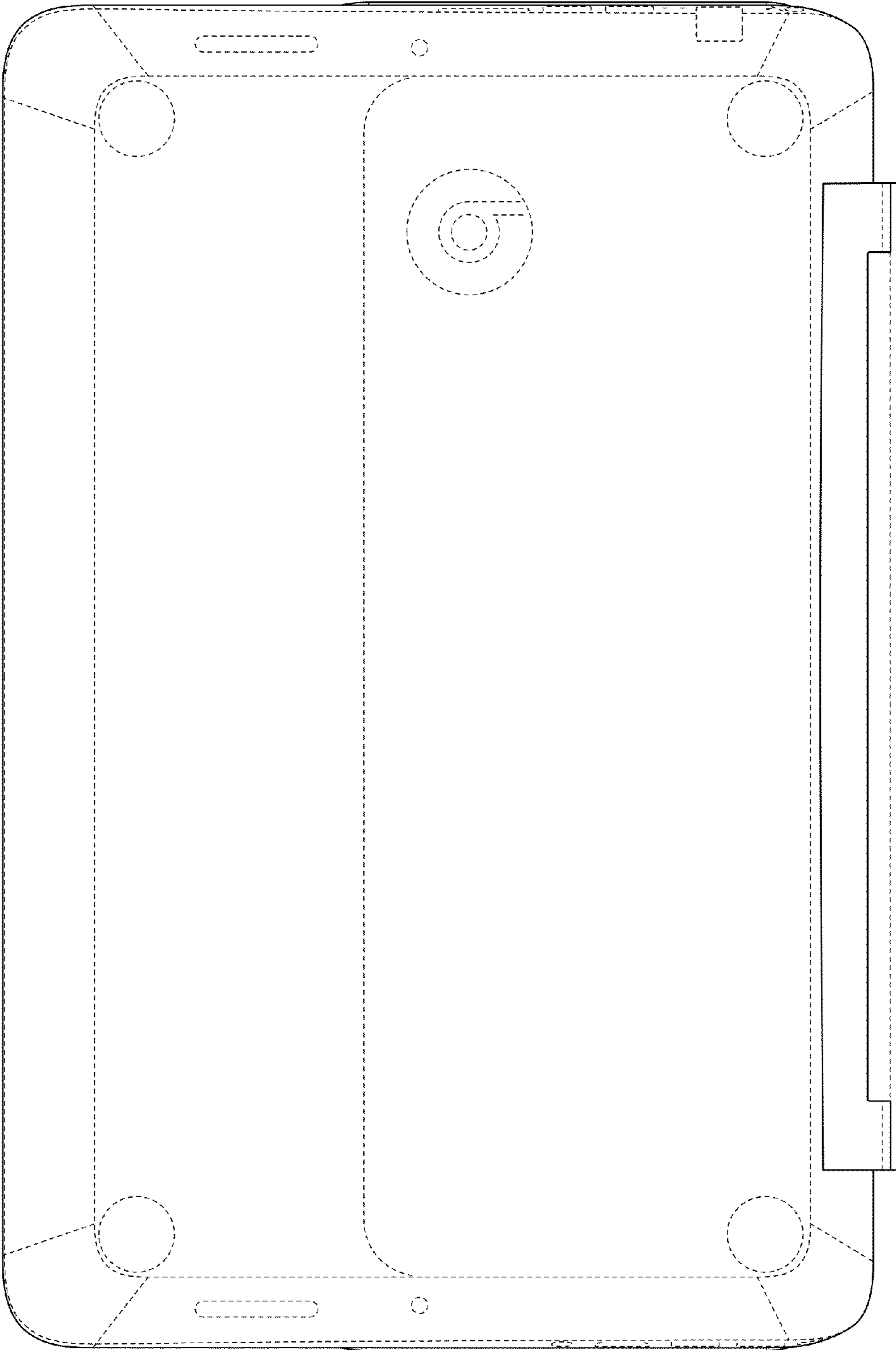


FIG. 7



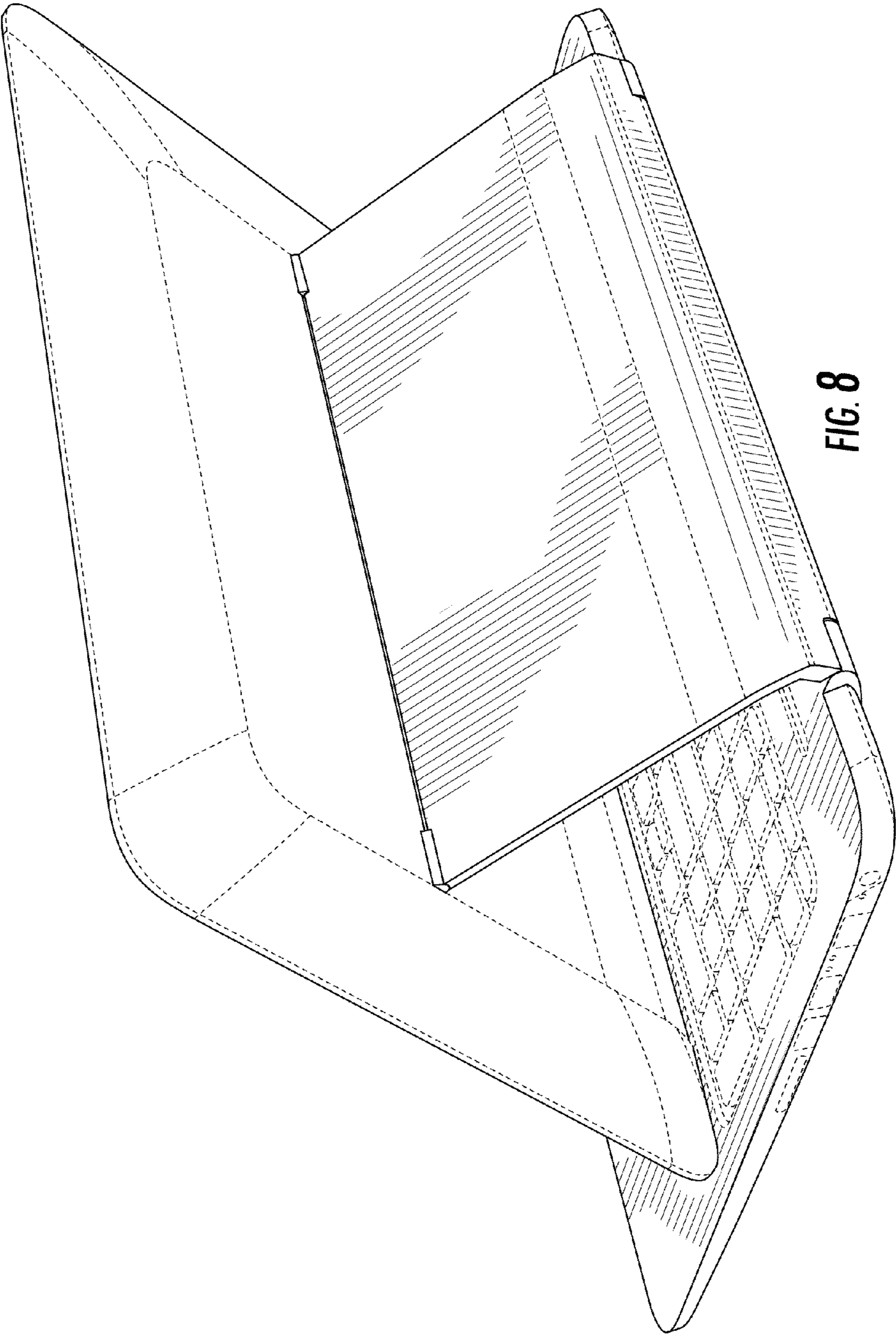


FIG. 8

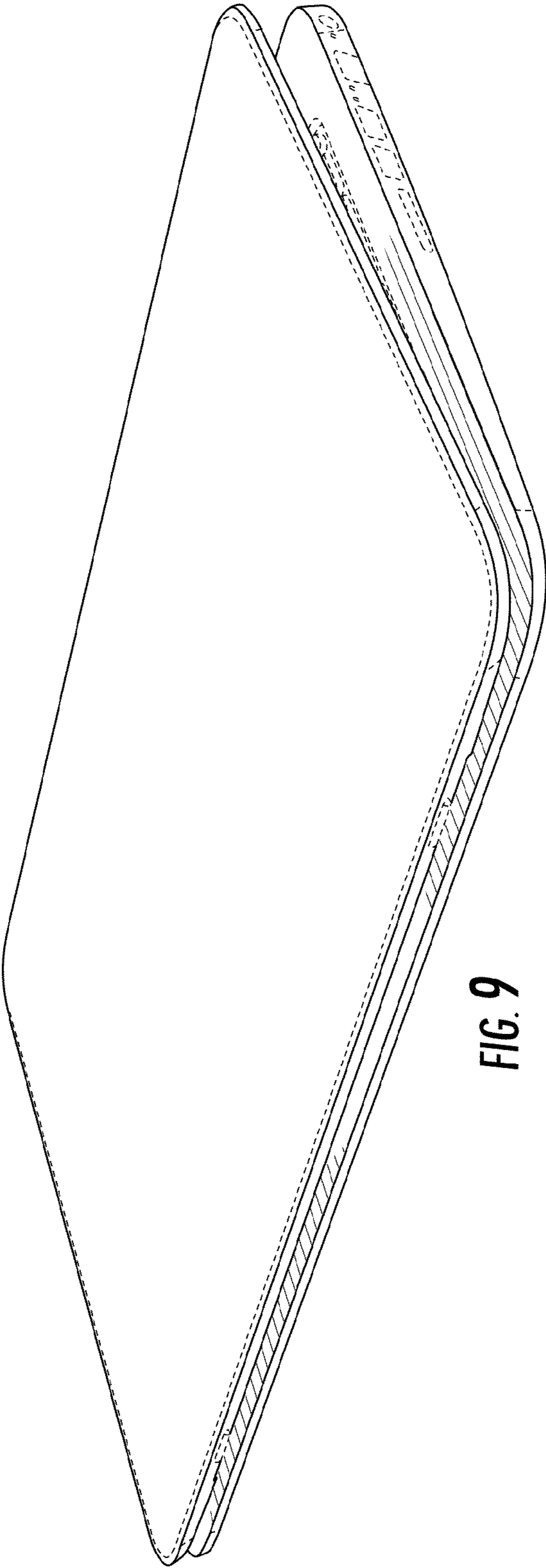


FIG. 9

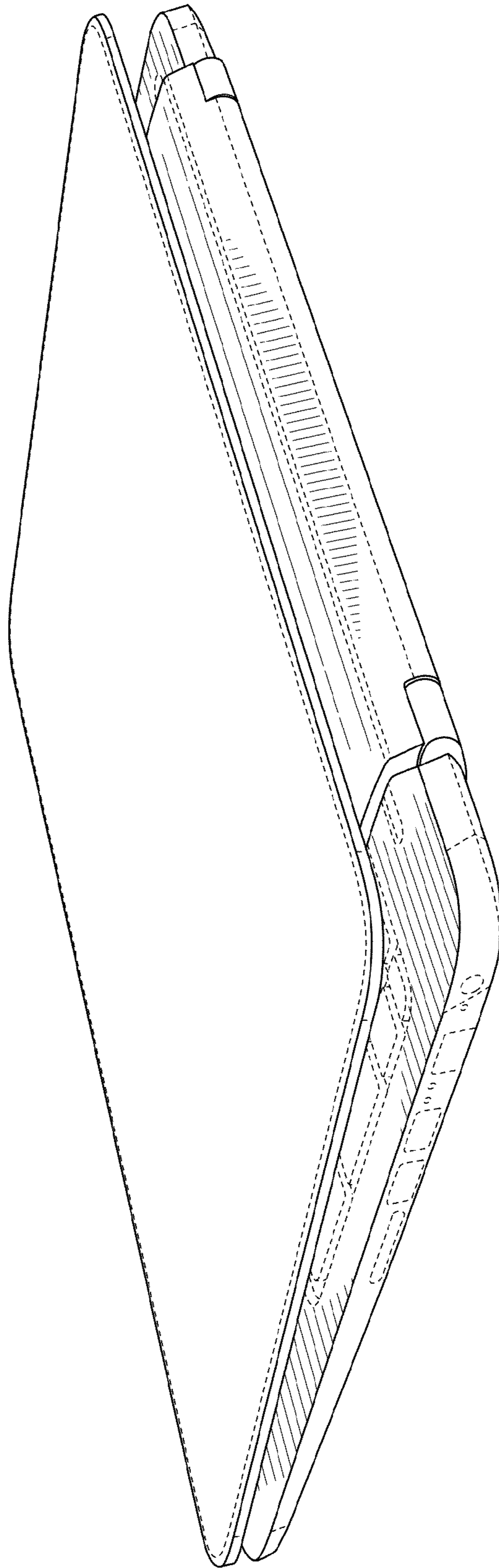
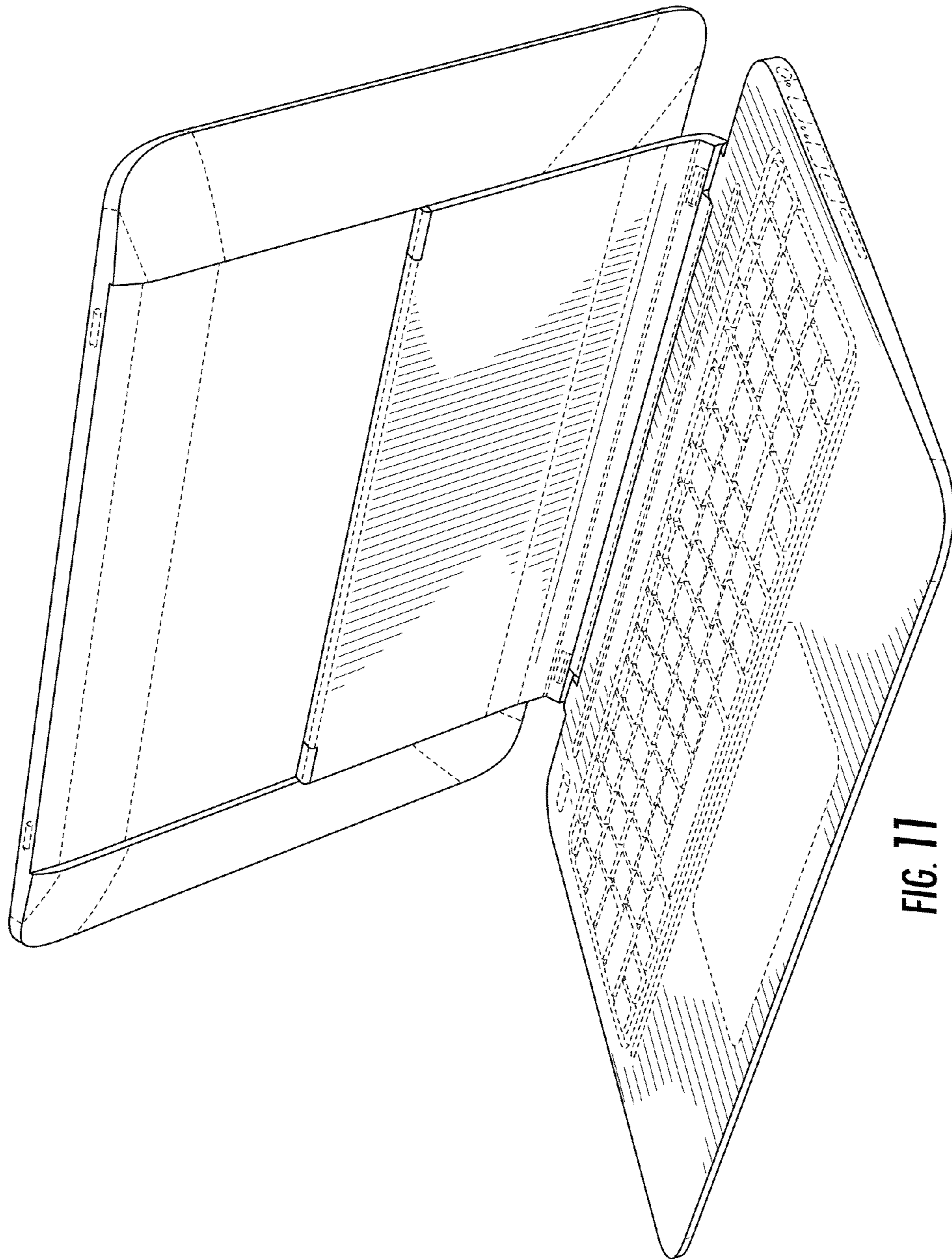
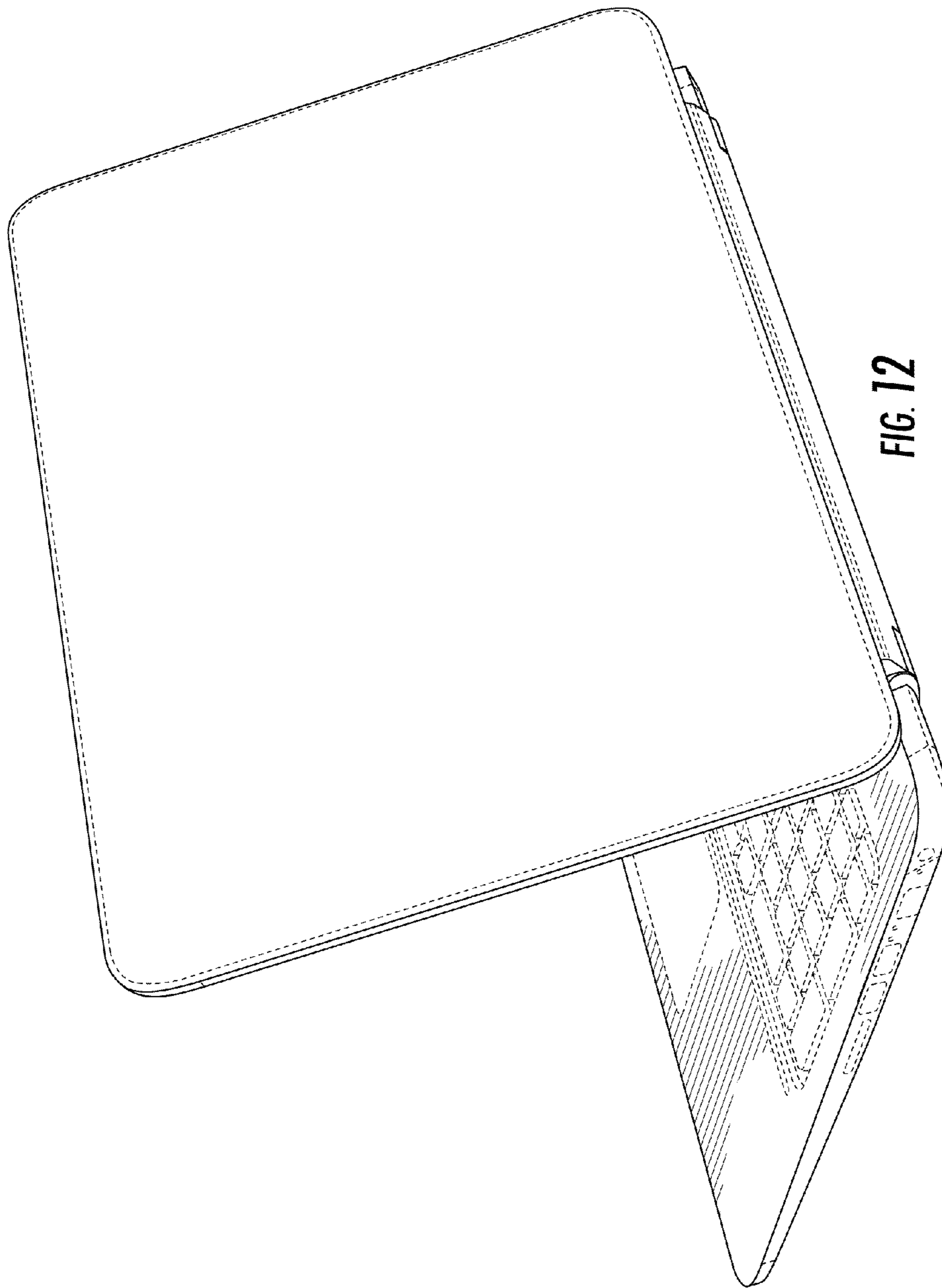


FIG. 10





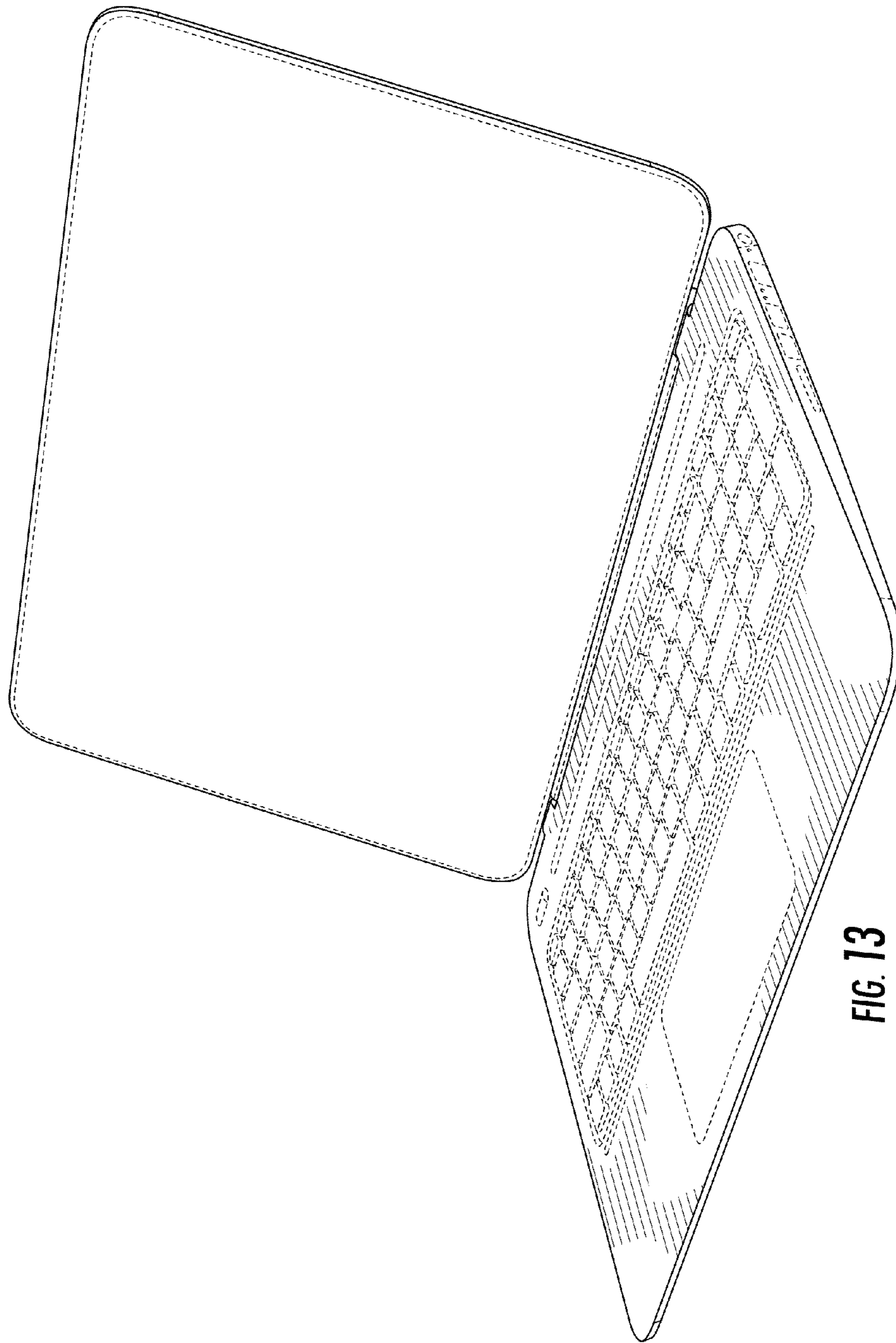


FIG. 13

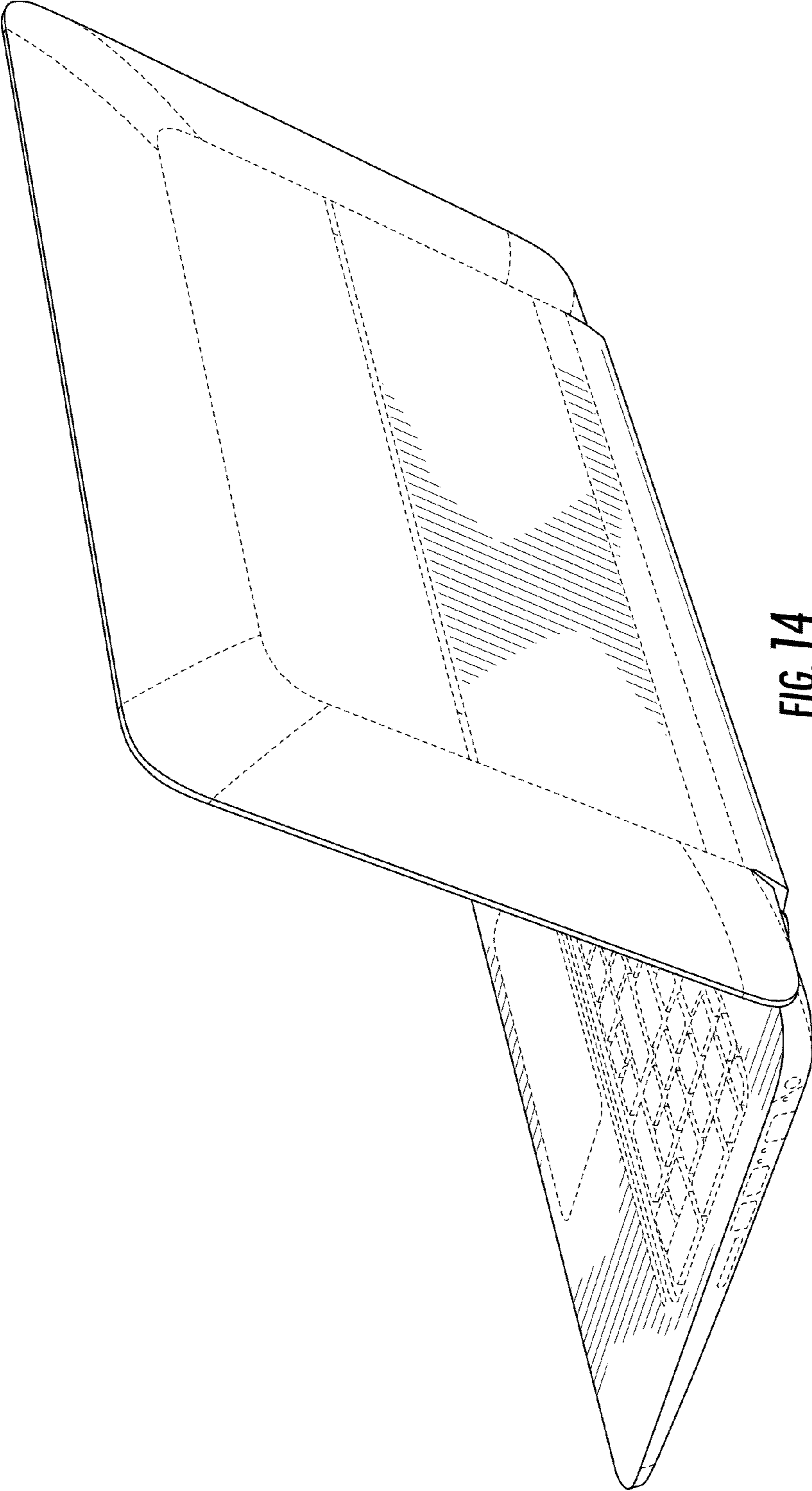


FIG. 14