



US00D727306S

(12) **United States Design Patent**
Yong et al.

(10) **Patent No.:** **US D727,306 S**
(45) **Date of Patent:** **** Apr. 21, 2015**

(54) **CONTROL HEAD FOR A MOBILE RADIO**

(56) **References Cited**

(71) Applicant: **Motorola Solutions, Inc.**, Schaumburg, IL (US)

U.S. PATENT DOCUMENTS

(72) Inventors: **Rit Fui Yong**, Singapore (SG); **Erin Benjamin Bryant**, Oakland Park, FL (US); **Lanting L. Garra**, Sunrise, FL (US); **Shirish Kaner**, Persiaran Bayan Indah (MY); **Chia Shen Teh**, Georgetown (MY); **Lin Ye**, Plantation, FL (US)

D357,024	S	*	4/1995	Tokiyama et al.	D14/258
D364,877	S	*	12/1995	Tokiyama et al.	D14/258
D381,659	S	*	7/1997	Tokiyama et al.	D14/194
D413,609	S	*	9/1999	Tokiyama et al.	D14/258
D413,899	S	*	9/1999	Tokiyama et al.	D14/258
D474,765	S	*	5/2003	Glenn	D14/257
D531,163	S	*	10/2006	Kaner et al.	D14/188
D571,780	S	*	6/2008	Tan et al.	D14/188
D595,710	S	*	7/2009	Harrington	D14/258
D676,846	S	*	2/2013	Harrington	D14/257
D678,265	S	*	3/2013	Tran et al.	D14/258
D678,266	S	*	3/2013	Tran et al.	D14/258

* cited by examiner

(73) Assignee: **Motorola Solutions, Inc.**, Schaumburg, IL (US)

Primary Examiner — Keli L Hill

(74) *Attorney, Agent, or Firm* — Barbara R. Doutre

(**) Term: **14 Years**

(57) **CLAIM**

The ornamental design for a control head for a mobile radio, as shown and described.

(21) Appl. No.: **29/458,680**

DESCRIPTION

(22) Filed: **Jun. 21, 2013**

FIG. 1 is a front perspective view of an ornamental design for a control head for a mobile radio;
FIG. 2 is a rear perspective view thereof;
FIG. 3 is a front view thereof;
FIG. 4 is a rear view thereof;
FIG. 5 is a first side view thereof;
FIG. 6 is a second side view thereof;
FIG. 7 is a top view thereof; and,
FIG. 8 is a bottom view thereof.
The broken lines shown are included for the purpose of illustrating environmental elements only and form no part of the claimed design.

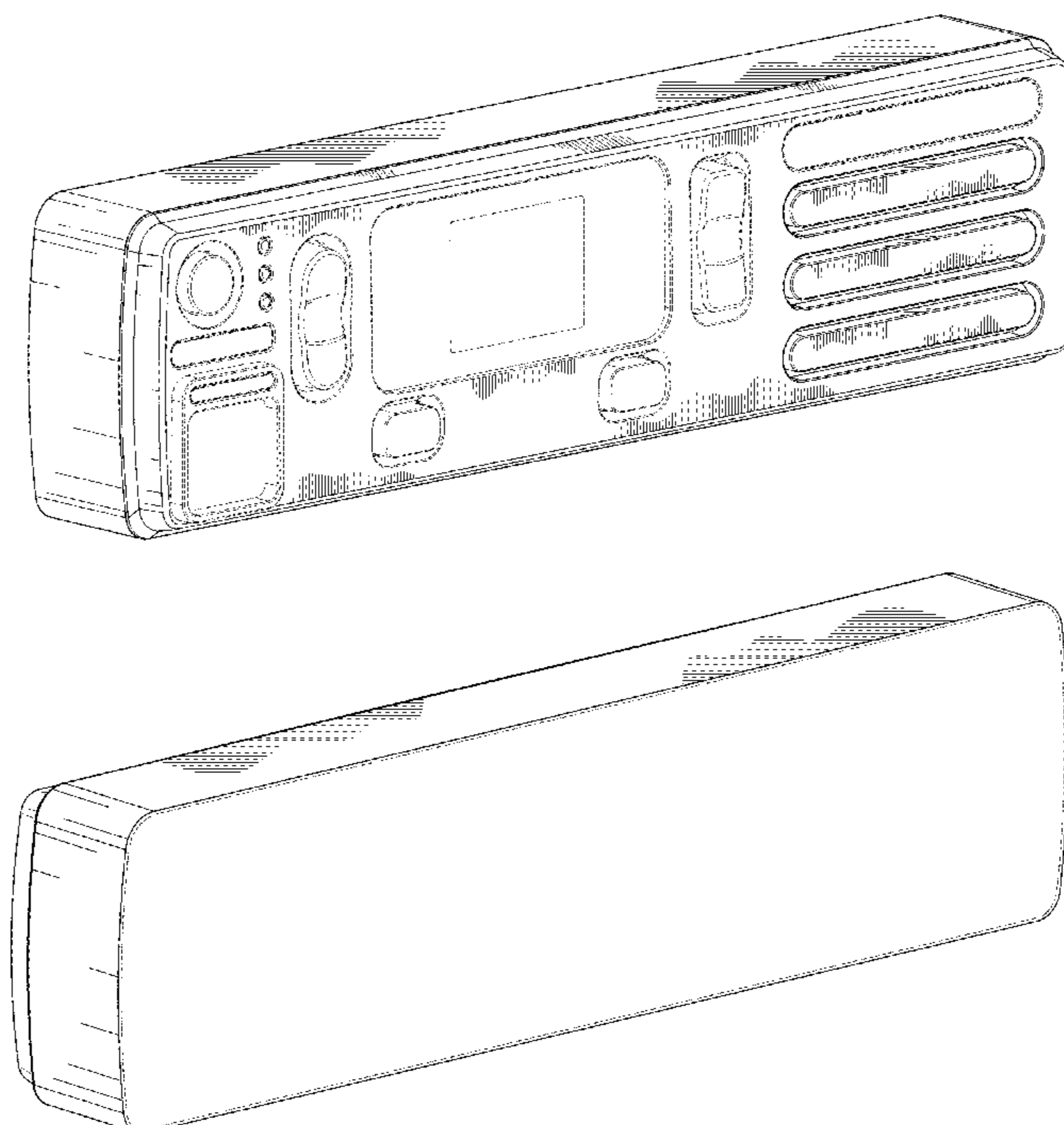
(51) **LOC (10) Cl.** **14-03**

(52) **U.S. Cl.**
USPC **D14/258**; D14/188

(58) **Field of Classification Search**
USPC D14/126, 129, 131–133, 203.1, 203.4,
D14/137, 155, 157, 168–171, 188, 194, 197,
D14/198, 239, 257, 258, 496, 498–508;
455/90.1–90.3, 344–355; 369/6–12

See application file for complete search history.

1 Claim, 5 Drawing Sheets



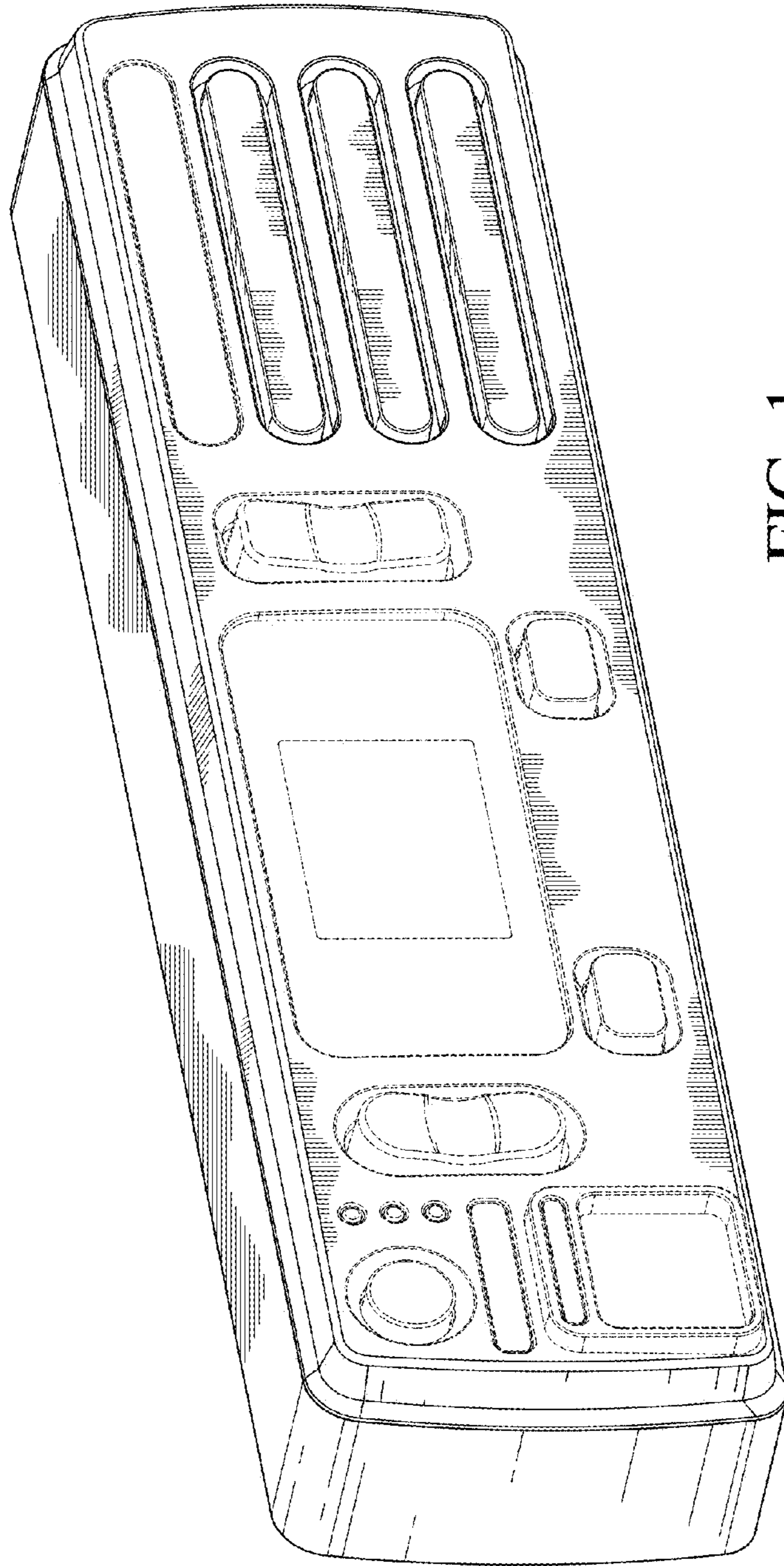


FIG. 1

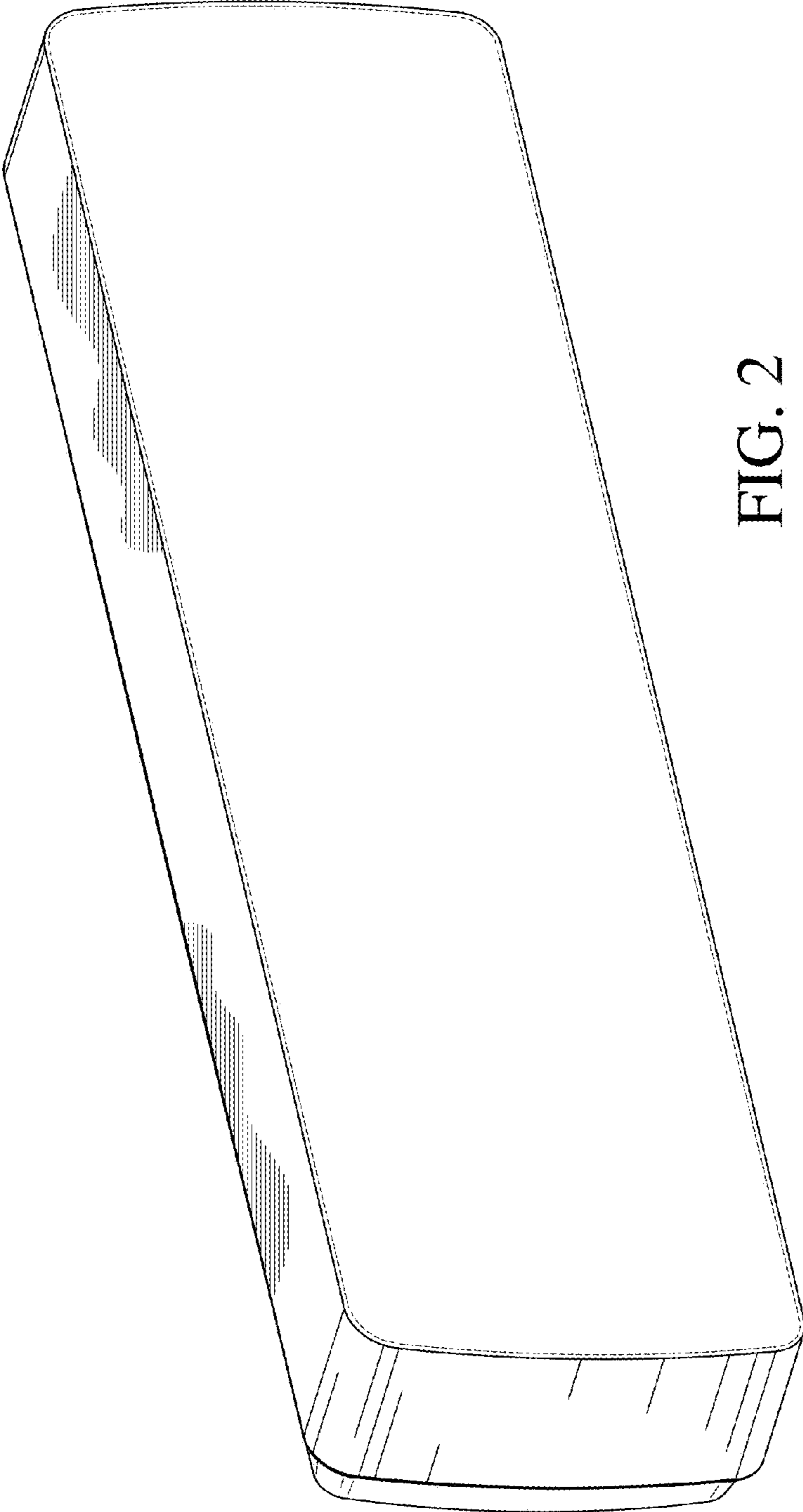


FIG. 2

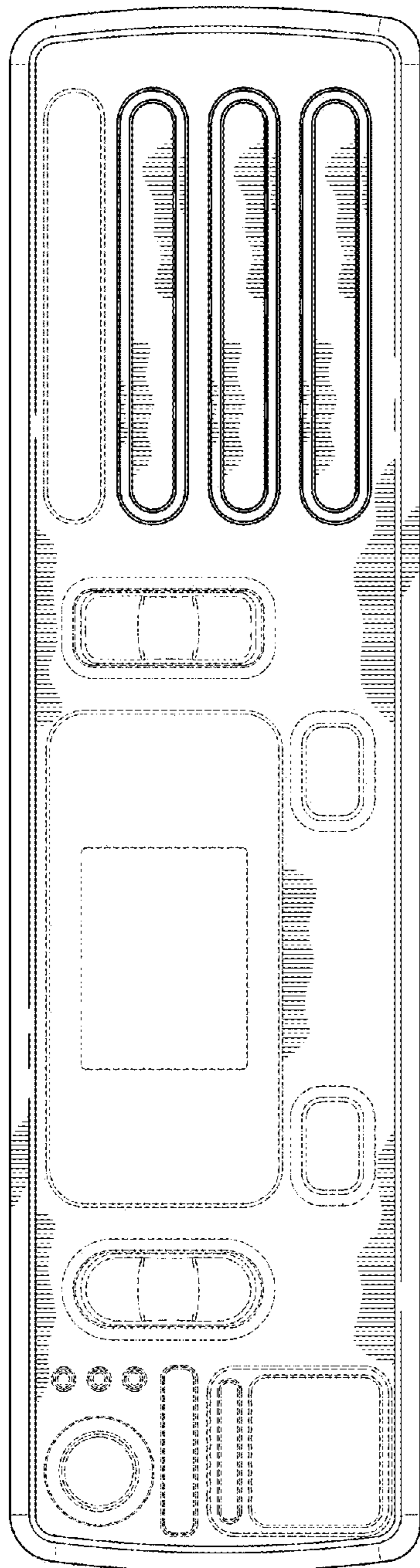


FIG. 3

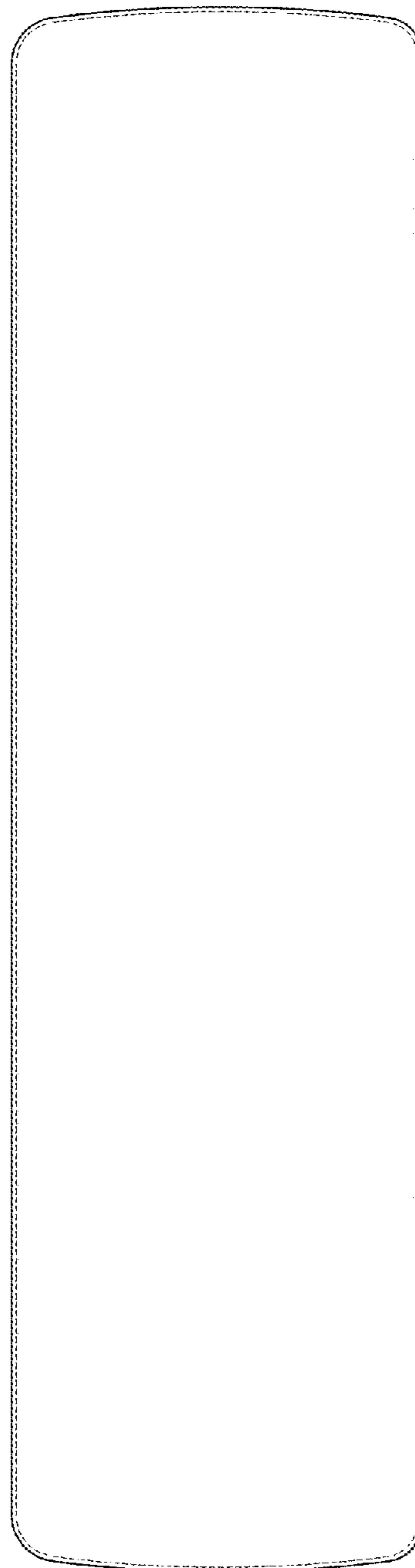


FIG. 4

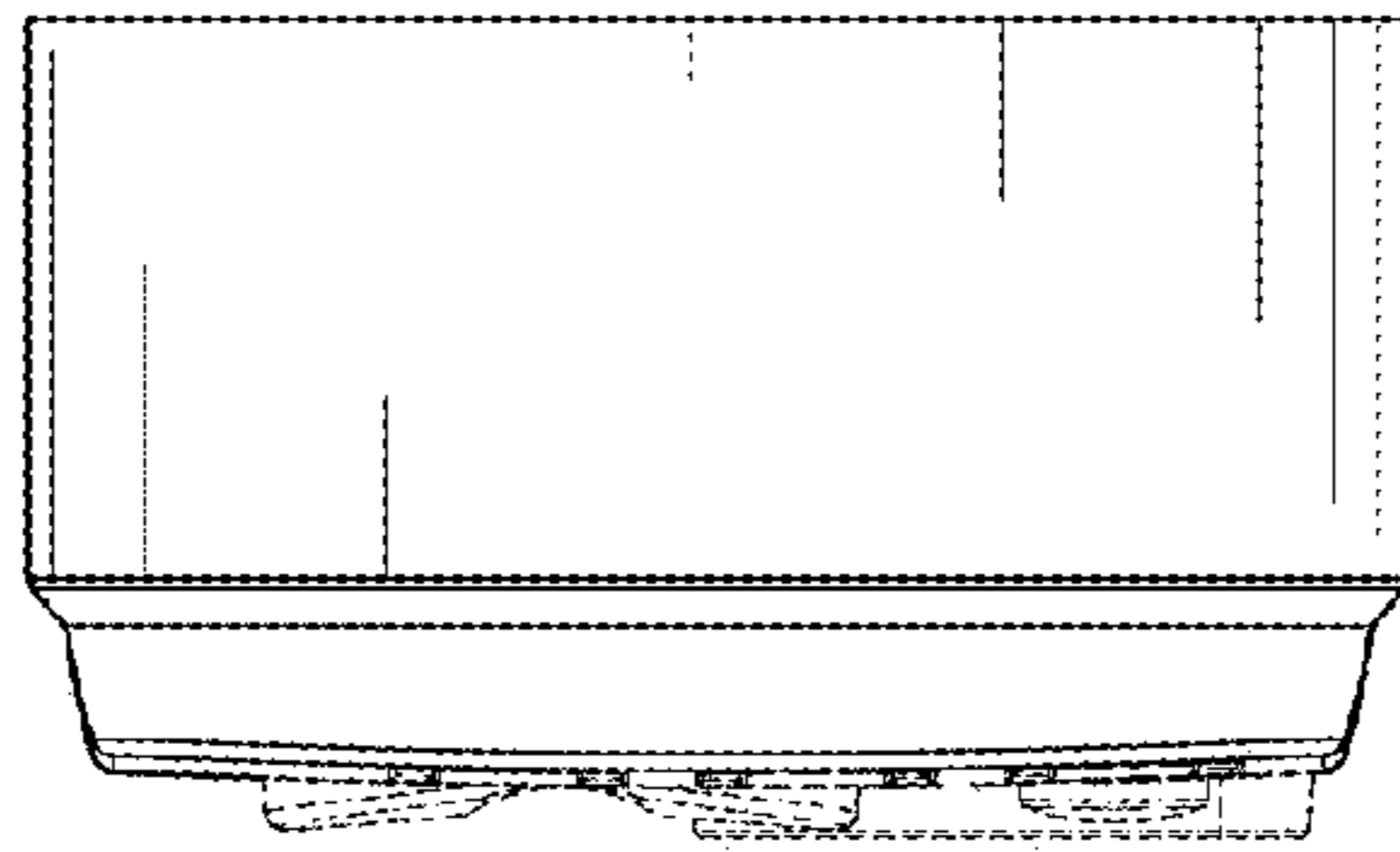


FIG. 6

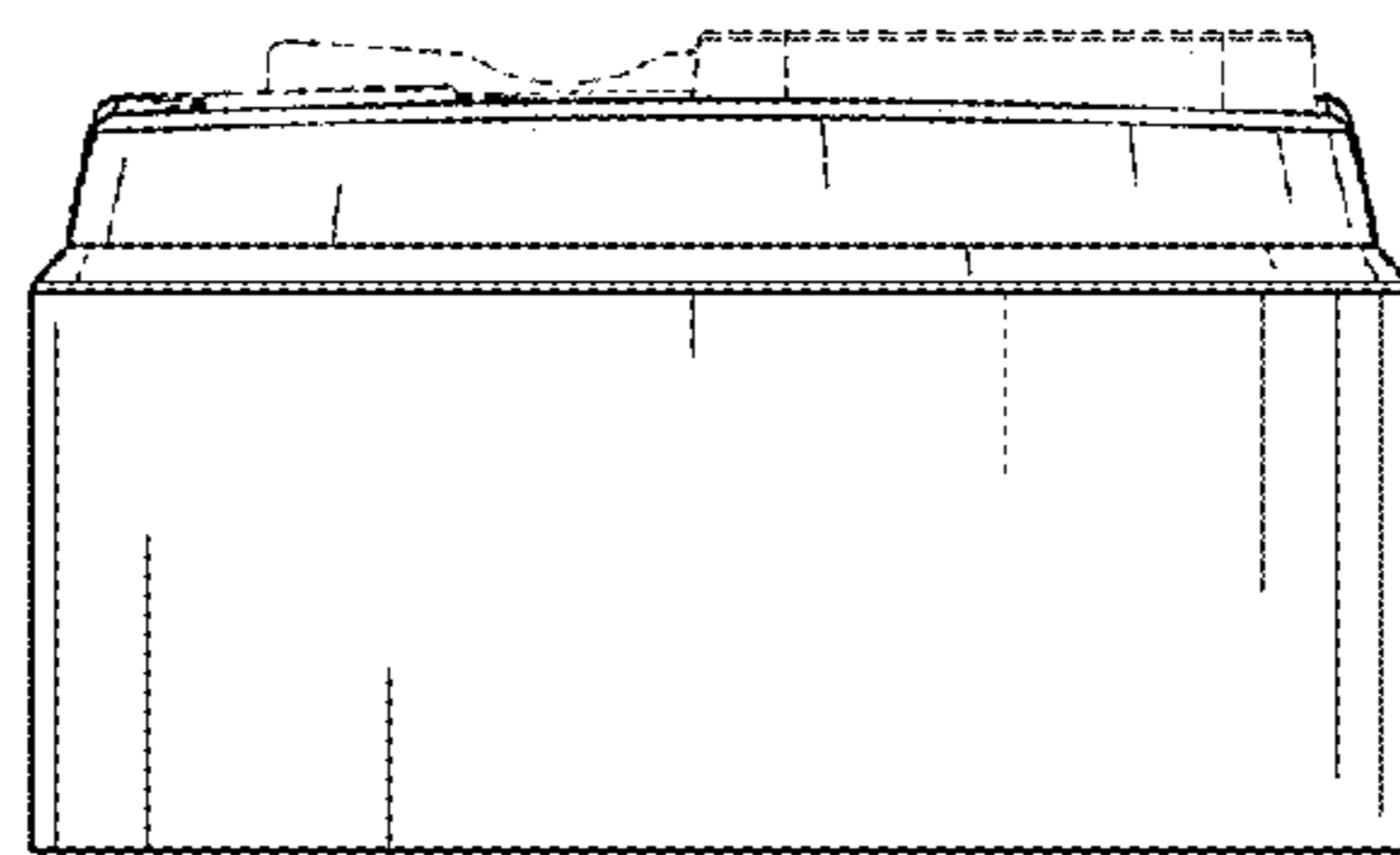


FIG. 5

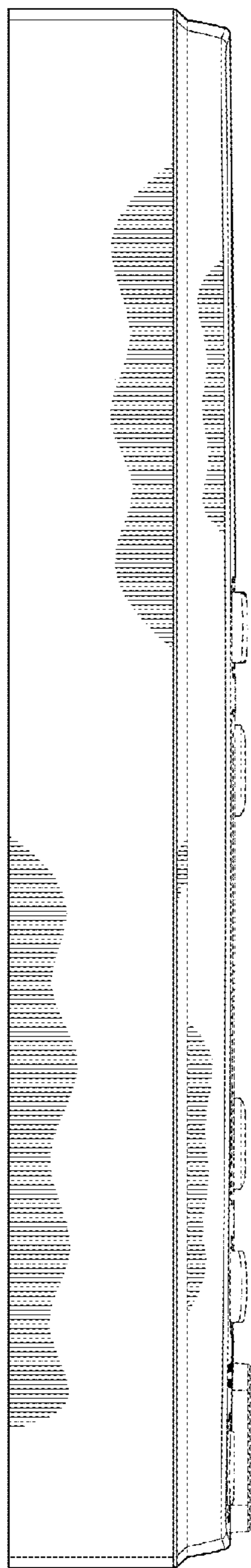


FIG. 7

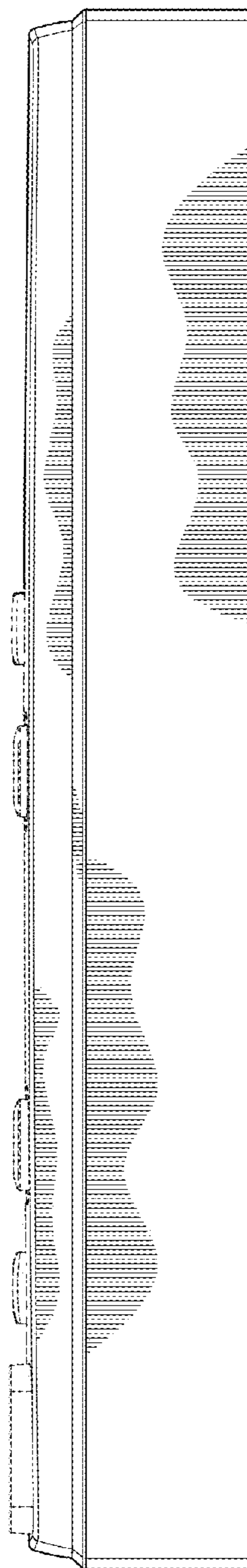


FIG. 8