



US00D727305S

(12) **United States Design Patent**
Fisher et al.

(10) **Patent No.:** **US D727,305 S**
(45) **Date of Patent:** **** Apr. 21, 2015**

(54) **PROTECTIVE COVER FOR A PORTABLE ELECTRONIC DEVICE**

(71) Applicants: **Roy Roe Fisher**, Ariel (IL); **Noam Cohen**, Sunny Isles, FL (US); **Kobi Hadad**, Ariel (IL)

(72) Inventors: **Roy Roe Fisher**, Ariel (IL); **Noam Cohen**, Sunny Isles, FL (US); **Kobi Hadad**, Ariel (IL)

(**) Term: **14 Years**

(21) Appl. No.: **29/447,688**

(22) Filed: **Mar. 6, 2013**

Related U.S. Application Data

(63) Continuation of application No. 13/743,343, filed on Jan. 17, 2013.

(51) **LOC (10) Cl.** **14-03**

(52) **U.S. Cl.**
USPC **D14/250**

(58) **Field of Classification Search**
USPC D14/138 AD, 138 C, 138 G, 203.7, 230, D14/240, 247, 248, 250, 253, 341, 345, 346, D14/433, 440, 480.5, 480.6, 480.7; D13/103, 108, 119; D16/202, 212, D16/218, 219; 206/320; 220/662; 361/679.27, 679.41; 455/557

See application file for complete search history.

(56) **References Cited**

U.S. PATENT DOCUMENTS

D500,333 S * 12/2004 Hong et al. D16/218
D501,496 S * 2/2005 Sadatsuki D16/218
D508,708 S * 8/2005 Ogura D16/202

D509,235 S * 9/2005 Imai D16/219
D510,746 S * 10/2005 Imai D16/212
D543,224 S * 5/2007 Kato et al. D16/203
D570,844 S * 6/2008 Liu et al. D14/433
D573,594 S * 7/2008 Hsu D14/480.5
D586,374 S * 2/2009 Kim D16/202
D608,811 S * 1/2010 Frank et al. D16/203
D609,732 S * 2/2010 Frank et al. D16/203
D659,149 S * 5/2012 Andre D14/480.6
D659,150 S * 5/2012 Andre D14/480.7
D664,146 S * 7/2012 Hoehn et al. D14/433
D677,251 S * 3/2013 Melanson et al. D14/250
D677,302 S * 3/2013 Fujita et al. D16/219
D679,717 S * 4/2013 Benois D14/480.1
D689,852 S * 9/2013 Azoulay D14/250
2011/0272308 A1 * 11/2011 Andre 206/320

* cited by examiner

Primary Examiner — Barbara Fox

Assistant Examiner — Chelsea Sealey

(74) *Attorney, Agent, or Firm* — Eitan, Mehulal & Sadot

(57) **CLAIM**

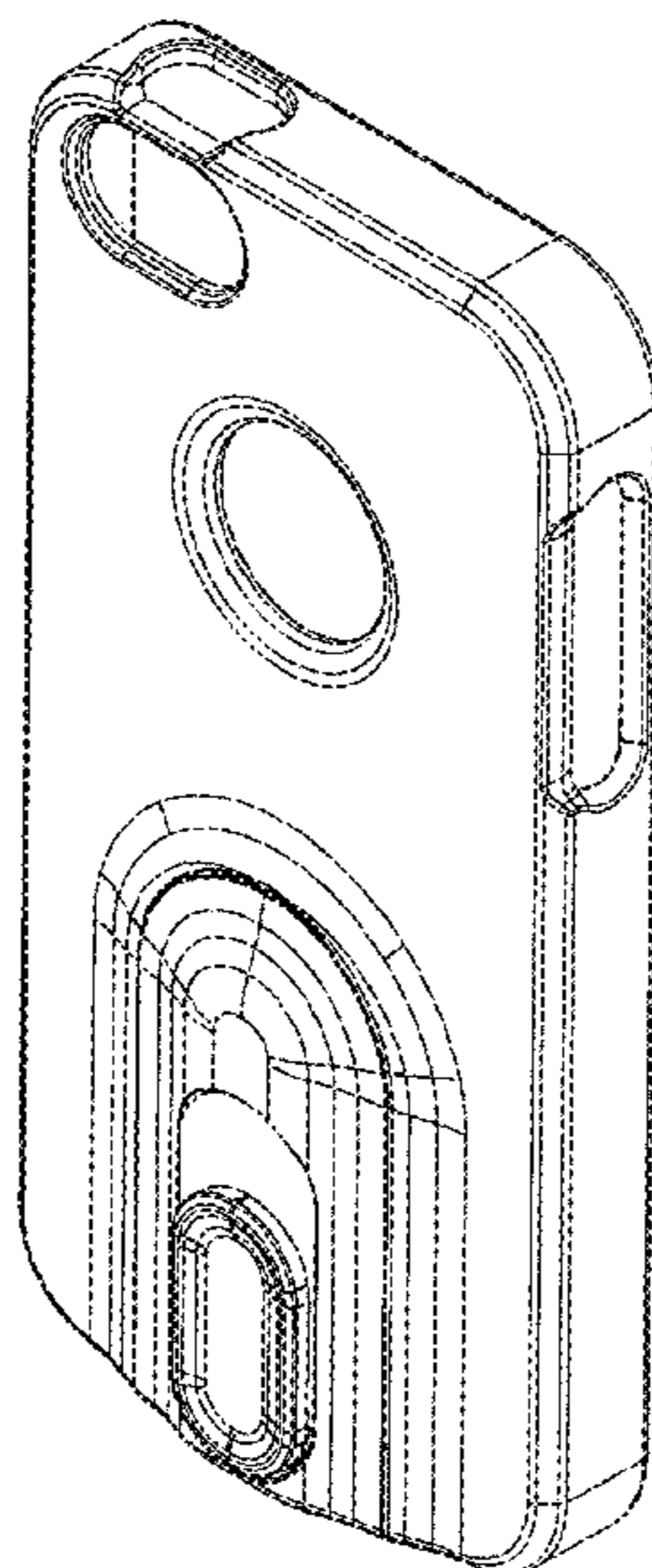
The ornamental design for a protective cover for a portable electronic device, as shown and described.

DESCRIPTION

FIG. 1 is a perspective view of a protective cover for a portable electronic device showing our new design;
FIG. 2 is a front view thereof;
FIG. 3 is a rear view thereof;
FIG. 4 is a right side view thereof;
FIG. 5 is a left side view thereof;
FIG. 6 is a top view thereof; and,
FIG. 7 is a bottom view thereof.

The broken lines indicate portions of the protective cover for a portable electronic device that form no part of the claimed design.

1 Claim, 7 Drawing Sheets



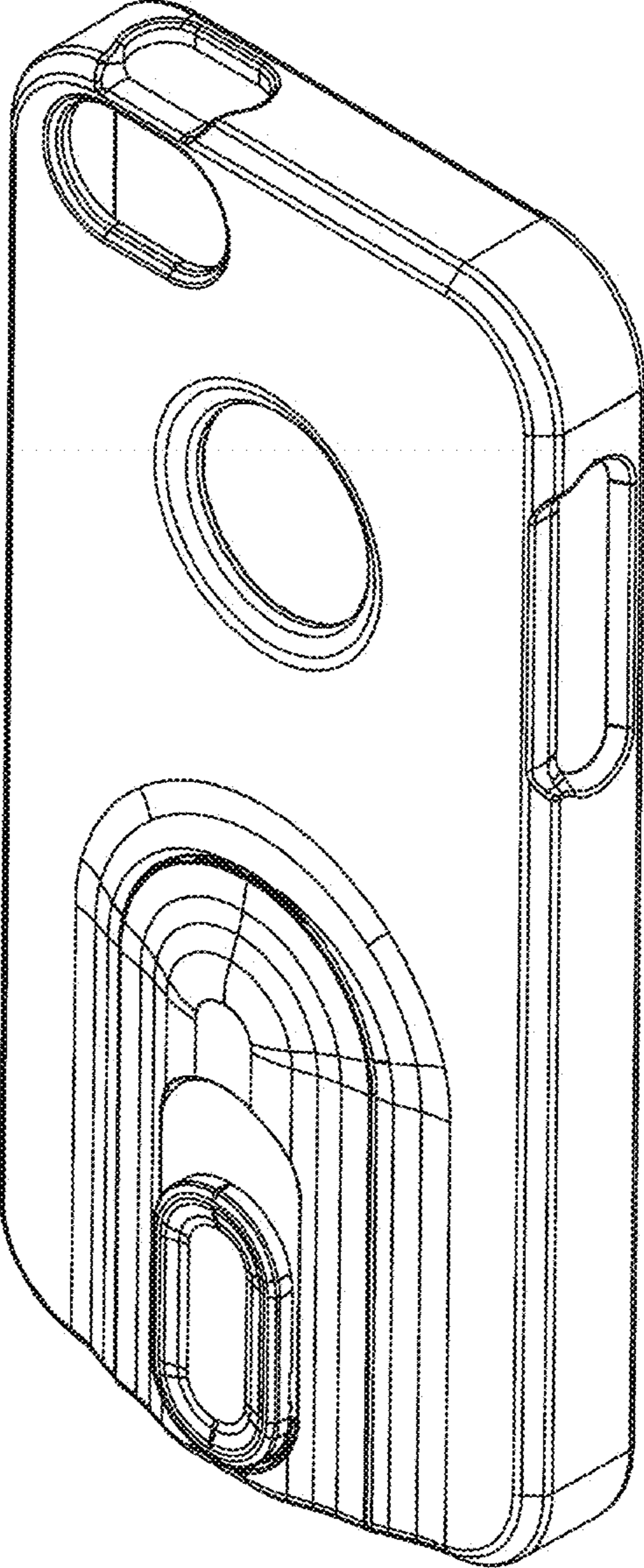


Fig. 1

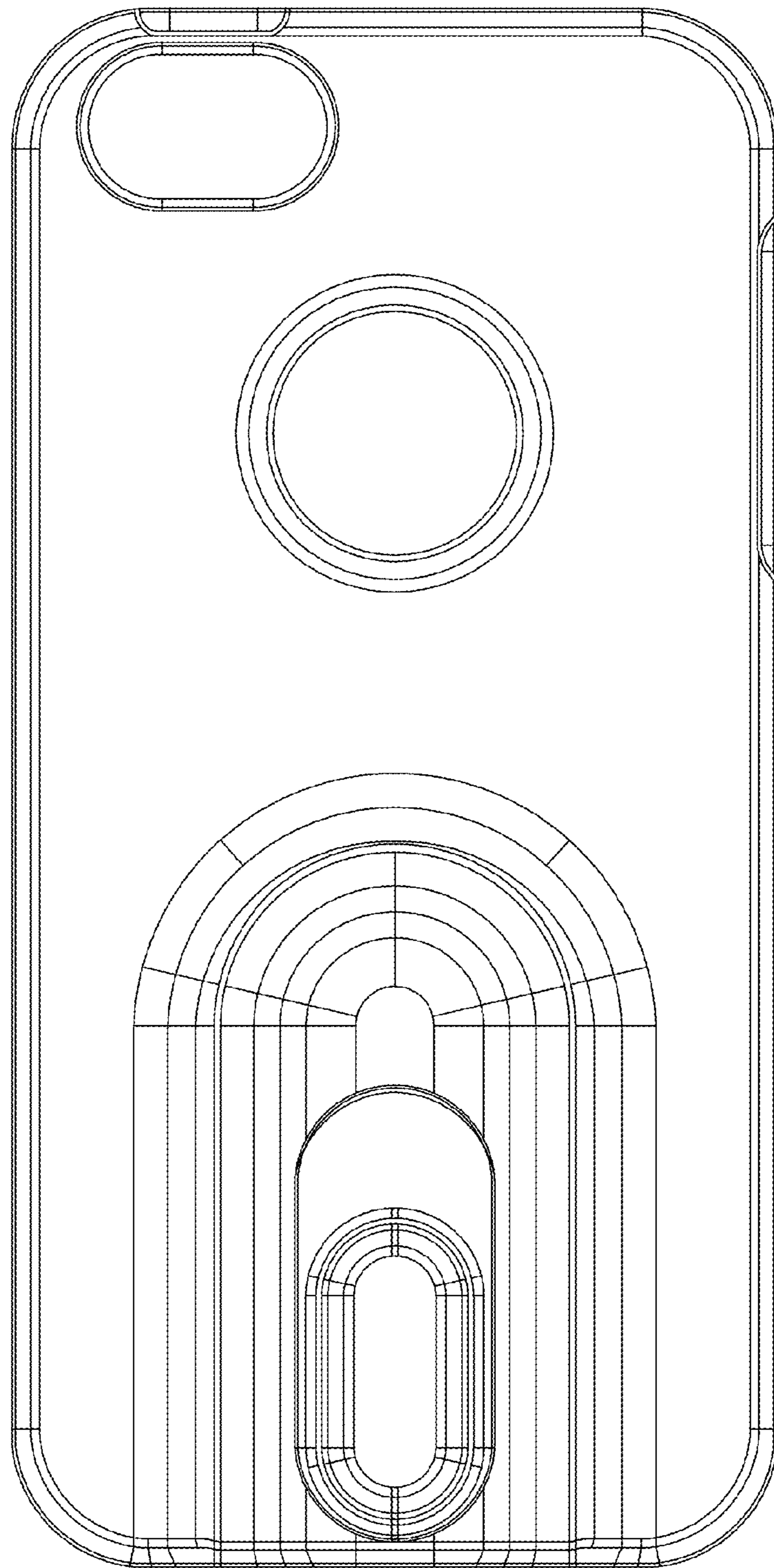


FIG. 2

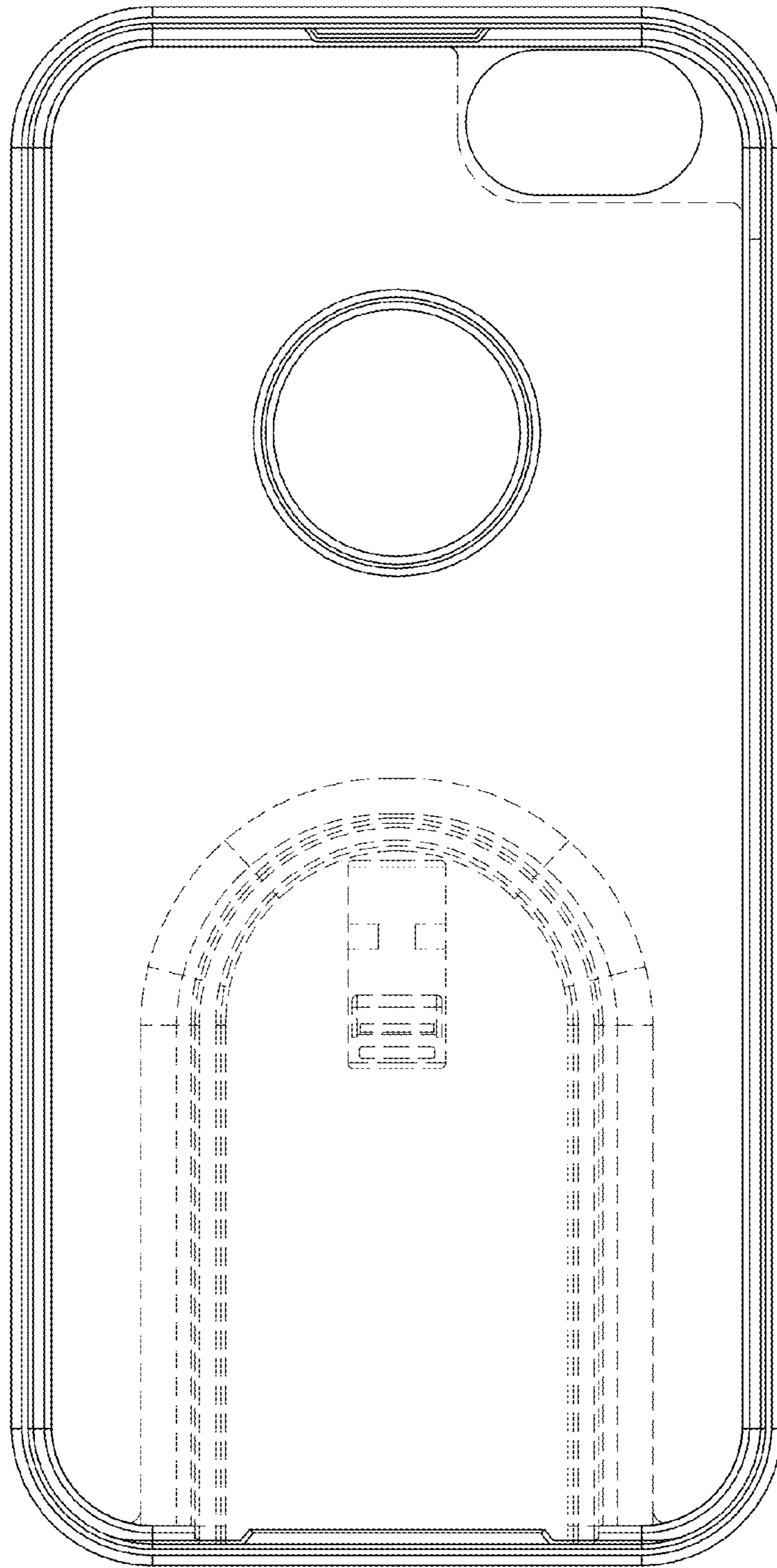


FIG. 3

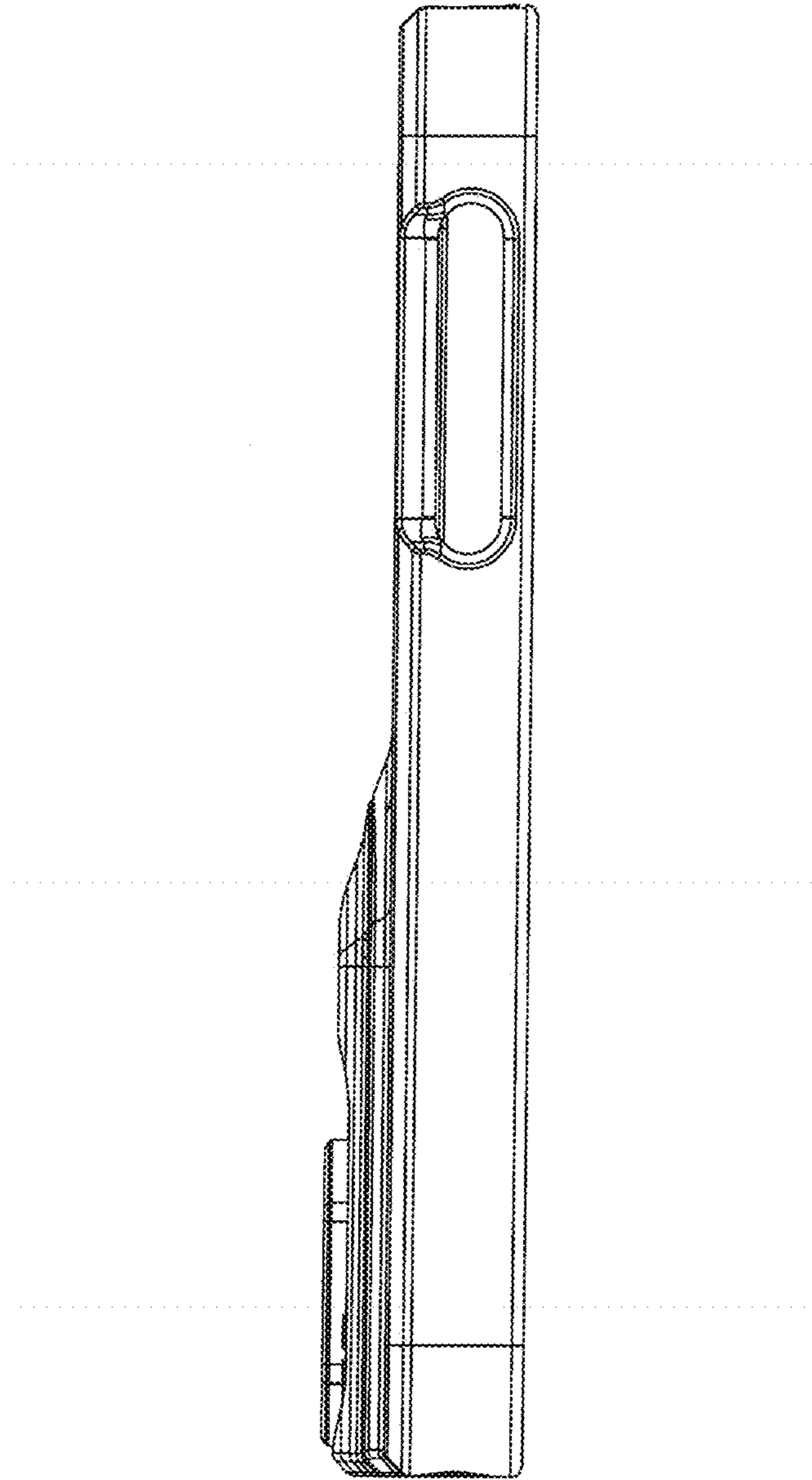


Fig. 4

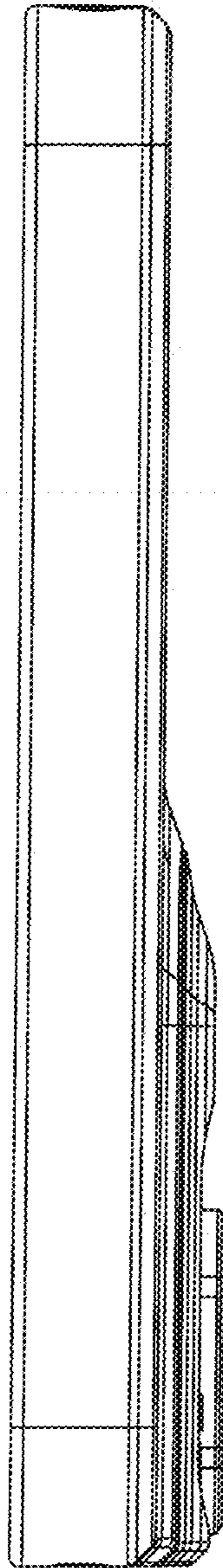


Fig. 5

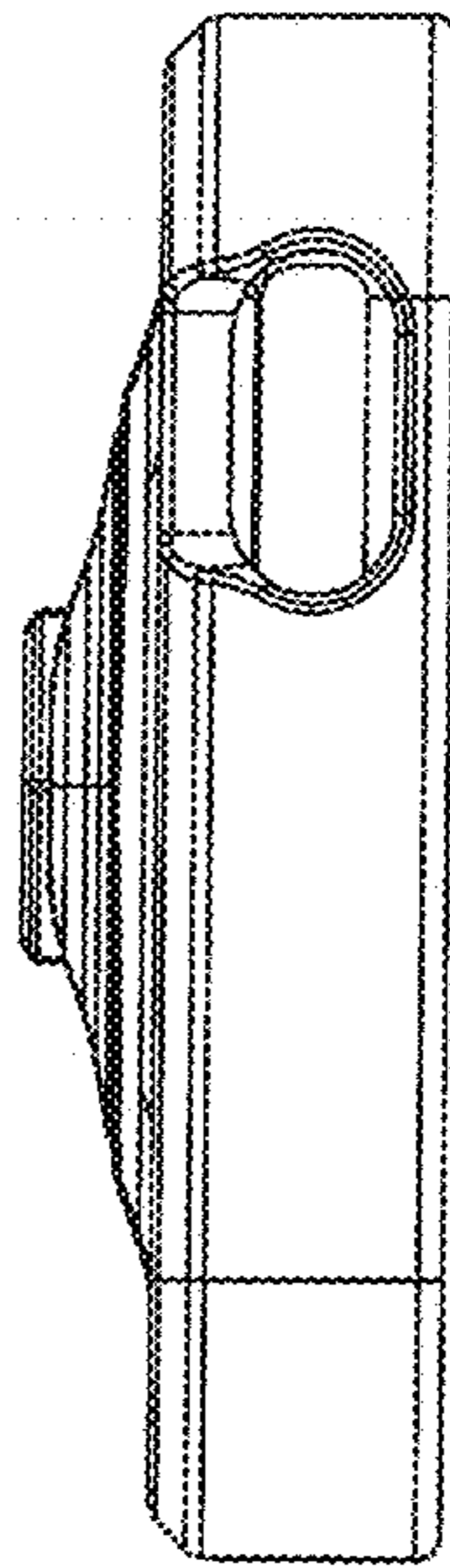


Fig. 6

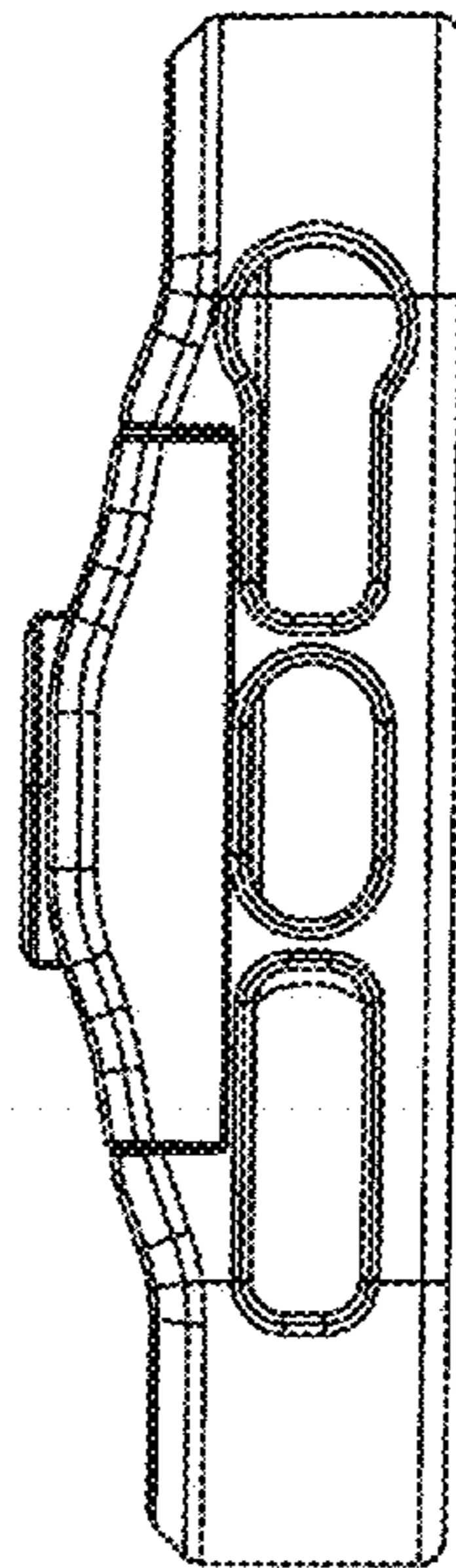


Fig. 7