



US00D727304S

(12) **United States Design Patent**
Lee et al.

(10) **Patent No.:** **US D727,304 S**
(45) **Date of Patent:** **** *Apr. 21, 2015**

(54) **ELECTRONIC DEVICE**

(56)

References Cited

(71) Applicant: **Samsung Electronics Co., Ltd.**,
Suwon-si, Gyeonggi-do (KR)

(72) Inventors: **Min-Hyouk Lee**, Seongnam (KR);
Hyoung-Shin Park, Seoul (KR);
Kwan-Ue Hong, Yongin (KR); **Jong-Bo Jung**, Seoul (KR); **Gi-Young Lee**, Seoul (KR)

(73) Assignee: **Samsung Electronics Co., Ltd.** (KR)

(*) Notice: This patent is subject to a terminal disclaimer.

(**) Term: **14 Years**

(21) Appl. No.: **29/453,901**

(22) Filed: **May 3, 2013**

U.S. PATENT DOCUMENTS

D633,460	S	*	3/2011	Yi et al.	D14/138 G
D635,112	S	*	3/2011	Zhang et al.	D14/138 AB
D635,541	S	*	4/2011	Park et al.	D14/138 G
D640,663	S	*	6/2011	Arnholt et al.	D14/138 G
D646,248	S	*	10/2011	Lee	D14/138 G
D647,499	S	*	10/2011	Page et al.	D14/138 AD
D650,352	S	*	12/2011	Cho	D14/138 G
D652,003	S	*	1/2012	Park et al.	D14/138 G
D654,047	S	*	2/2012	Kim et al.	D14/138 G
D654,048	S	*	2/2012	Ichinose et al.	D14/138 G
D654,899	S	*	2/2012	Jung	D14/138 G
D656,477	S	*	3/2012	Yi et al.	D14/138 G
D666,573	S	*	9/2012	Kim et al.	D14/138 AD
D668,628	S	*	10/2012	Ha et al.	D14/138 G
D676,824	S	*	2/2013	Lee	D14/138 G
D677,643	S	*	3/2013	Park	D14/138 G
D680,512	S	*	4/2013	Lu et al.	D14/138 G
D681,584	S	*	5/2013	Sung	D14/138 G
D681,596	S	*	5/2013	Lee	D14/138 G
D686,180	S	*	7/2013	Kim et al.	D14/138 G
D687,002	S	*	7/2013	Song et al.	D14/138 G
D687,792	S	*	8/2013	Kim et al.	D14/138 G
D688,239	S	*	8/2013	Chiang	D14/341
D695,254	S	*	12/2013	Hong	D14/138 G
D696,220	S	*	12/2013	Seo et al.	D14/138 G
D700,165	S	*	2/2014	Chung	D14/138 G
D700,596	S	*	3/2014	Jung et al.	D14/248
D702,208	S	*	4/2014	Shin et al.	D14/138 G
D703,174	S	*	4/2014	Suk	D14/138 G
D703,644	S	*	4/2014	Song et al.	D14/248
D703,645	S	*	4/2014	Song et al.	D14/248
D705,187	S	*	5/2014	Hwang et al.	D14/138 G
D706,251	S	*	6/2014	Park	D14/248
D708,159	S	*	7/2014	Kim	D14/138 G
D710,812	S	*	8/2014	Yonghee	D14/138 G
D711,340	S	*	8/2014	Kang	D14/138 G

(30) **Foreign Application Priority Data**

Jan. 4, 2013 (KR) 30-2013-0000521
Jan. 4, 2013 (KR) 30-2013-0000527
Feb. 6, 2013 (KR) 30-2013-0006489
Feb. 6, 2013 (KR) 30-2013-0006495

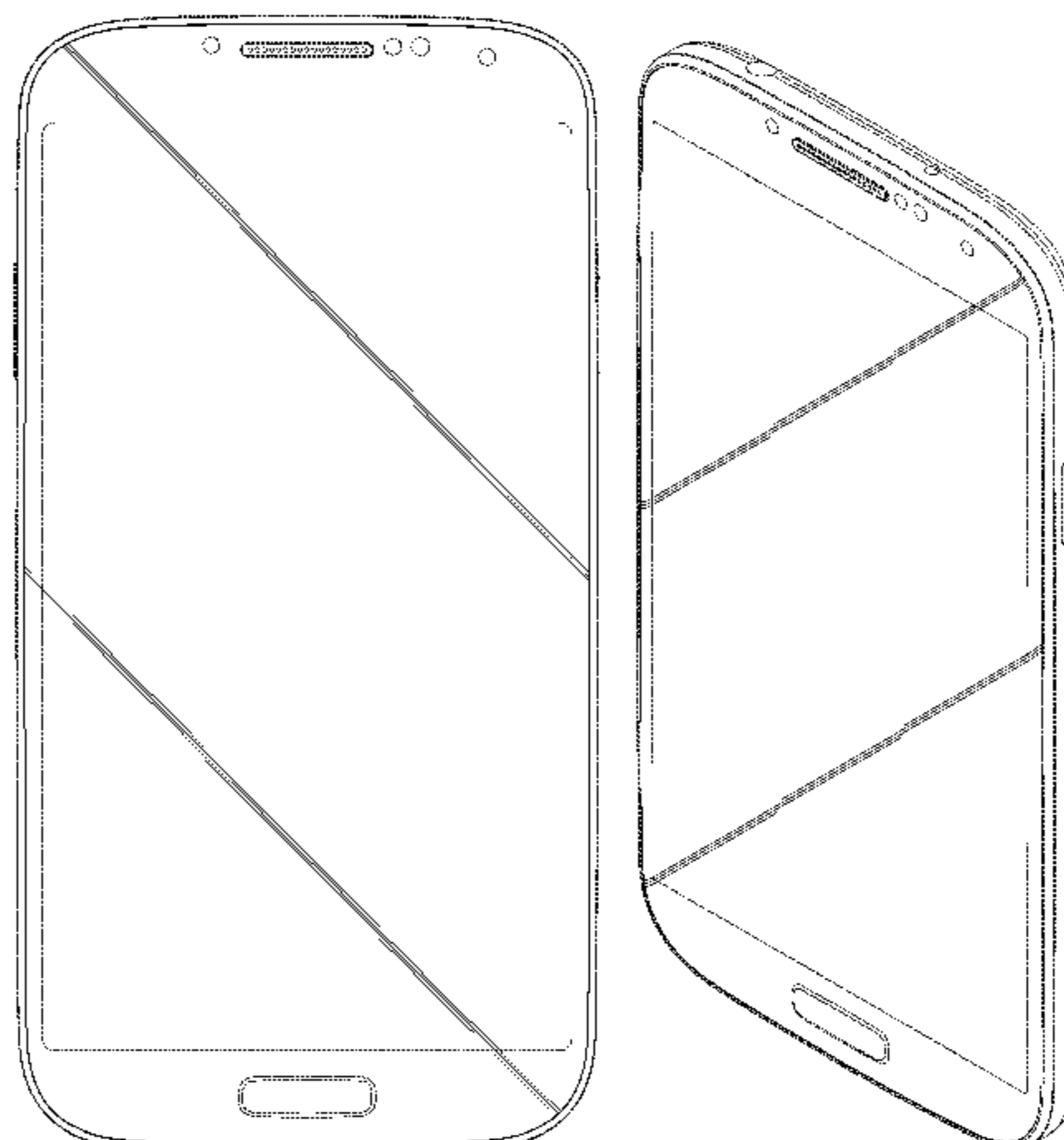
OTHER PUBLICATIONS

Samsung I9502 Galaxy S4 telephone, announced Mar. 2013, [online], [site visited Sep. 4, 2014]. Available from Internet, <URL: http://www.gsmarena.com/samsung_i9502_galaxy_s4-5420.php>.*
Samsung Galaxy Premier I9260 telephone, announced Nov. 2012, [online], [site visited Sep. 4, 2014]. Available from Internet, <URL: http://www.gsmarena.com/samsung_galaxy_premier_i9260-5047.php>.*
Samsung Galaxy Grand I9082 telephone, announced Dec. 2012,

(51) **LOC (10) Cl.** **14-03**

(52) **U.S. Cl.**
USPC **D14/248**

(58) **Field of Classification Search**
CPC H04M 1/02; H04M 1/0202-1/035;
G06F 1/1626
USPC D14/138 G, 138 AD, 138 AA, 341, 346,
D14/138 R, 496, 203.1-203.7, 248, 218,
D14/439, 217, 191; 455/575.1, 556.2,
455/575.3, 575.4; D21/517, 329, 331, 333;
D10/65, 78; 379/433.01, 433.04;
361/679.3, 679.56
See application file for complete search history.



[online], [site visited Sep. 4, 2014]. Available from Internet, <URL: http://www.gsmarena.com/samsung_galaxy_grand_i9082-5163.php>.*

Samsung I9300 Galaxy S III telephone, announced May 2012, [online], [site visited Sep. 4, 2014]. Available from Internet, <URL: http://www.gsmarena.com/samsung_i9300_galaxy_s_iii-4238.php>.*

Samsung Galaxy Mega 5.8 I9150 telephone, announced Apr. 2013, [online], [site visited Sep. 4, 2014]. Available from Internet, <URL: http://www.gsmarena.com/samsung_galaxy_mega_5_8_i9150-5396.php>.*

Samsung I9190 Galaxy S4 mini telephone, announced May 2013, [online], [site visited Sep. 4, 2014]. Available from Internet, <URL: http://www.gsmarena.com/samsung_i9190_galaxy_s4_mini-5375.php>.*

LG G2 telephone, announced Aug. 2013, [online], [site visited Sep. 4, 2014]. Available from Internet, <URL: http://www.gsmarena.com/lg_g2-5543.php>.*

* cited by examiner

Primary Examiner — Jeffrey D Asch

(74) *Attorney, Agent, or Firm* — Cantor Colburn LLP

(57) **CLAIM**

We claim, the ornamental design for an electronic device, as shown and described.

DESCRIPTION

FIG. 1 is a top front perspective view of an electronic device showing our new design;

FIG. 2 is a front view thereof;

FIG. 3 is a rear view thereof;

FIG. 4 is a left side view thereof;

FIG. 5 is a right side view thereof;

FIG. 6 is a top view thereof;

FIG. 7 is a bottom view thereof;

FIG. 8 is a top front perspective view of a second embodiment thereof;

FIG. 9 is a front view thereof;

FIG. 10 is a rear view thereof;

FIG. 11 is a left side view thereof;

FIG. 12 is a right side view thereof;

FIG. 13 is a top view thereof;

FIG. 14 is a bottom view thereof;

FIG. 15 is an enlarged detail view of the portion A encircled in FIG. 12;

FIG. 16 is a partial cross section view of FIG. 15;

FIG. 17 is an enlarged detail view of the portion B encircled in FIG. 13; and,

FIG. 18 is a partial cross section view of FIG. 17.

The outermost broken line of the speaker opening and the home button, which are within the claimed surface, are immediately adjacent to the shaded areas, and define regions that are unshaded, represent the bounds of the claim. All other broken lines, including the tiny circles near the speaker, the rectangle that indicates the display, the features within the outermost boundary of the speaker, and the feature within the outermost boundary of the home button show portions of the Electronic Device that form no part of the claimed design. The broken lines form no part of the claimed design.

Examples of an electronic device are: a computer; a portable or hand-held electronic device; media player such as a music, a video and/or a game player; media storage device; a personal digital assistant; and a communication device such as a cellular phone and smart phone.

1 Claim, 12 Drawing Sheets

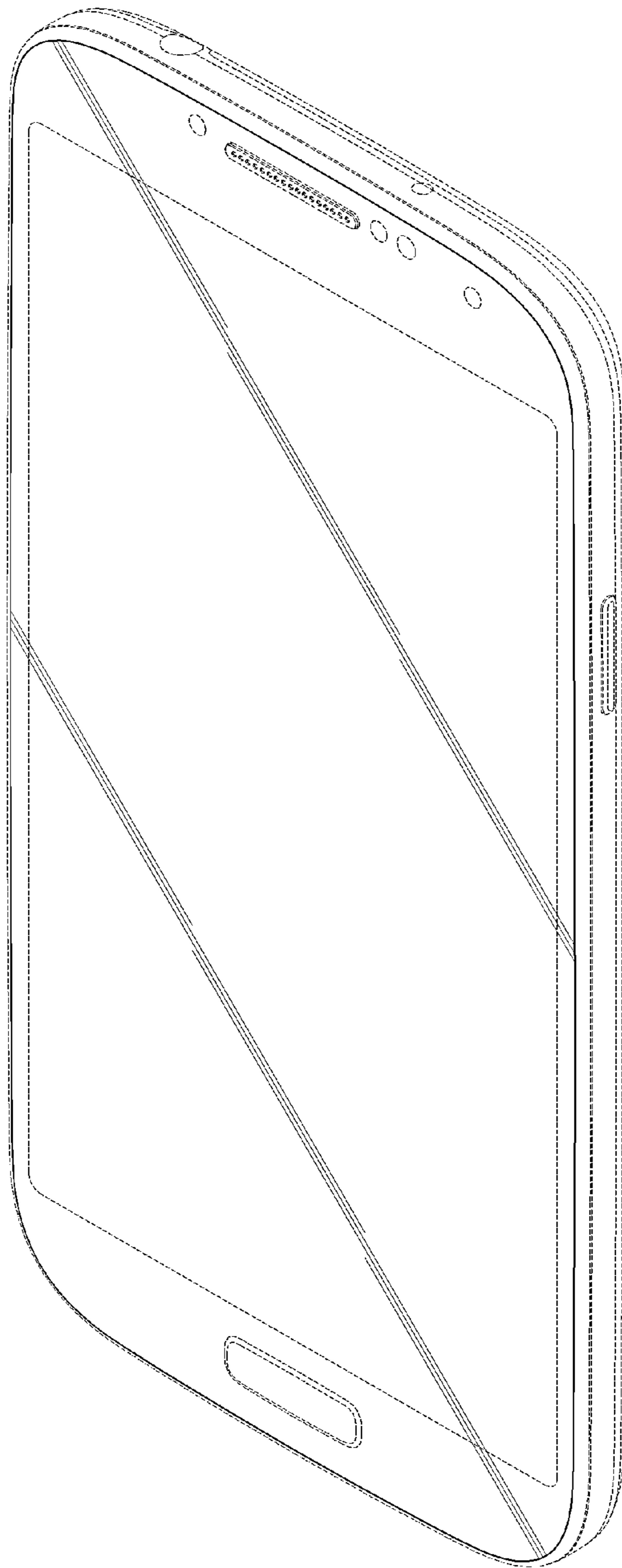


FIG.1

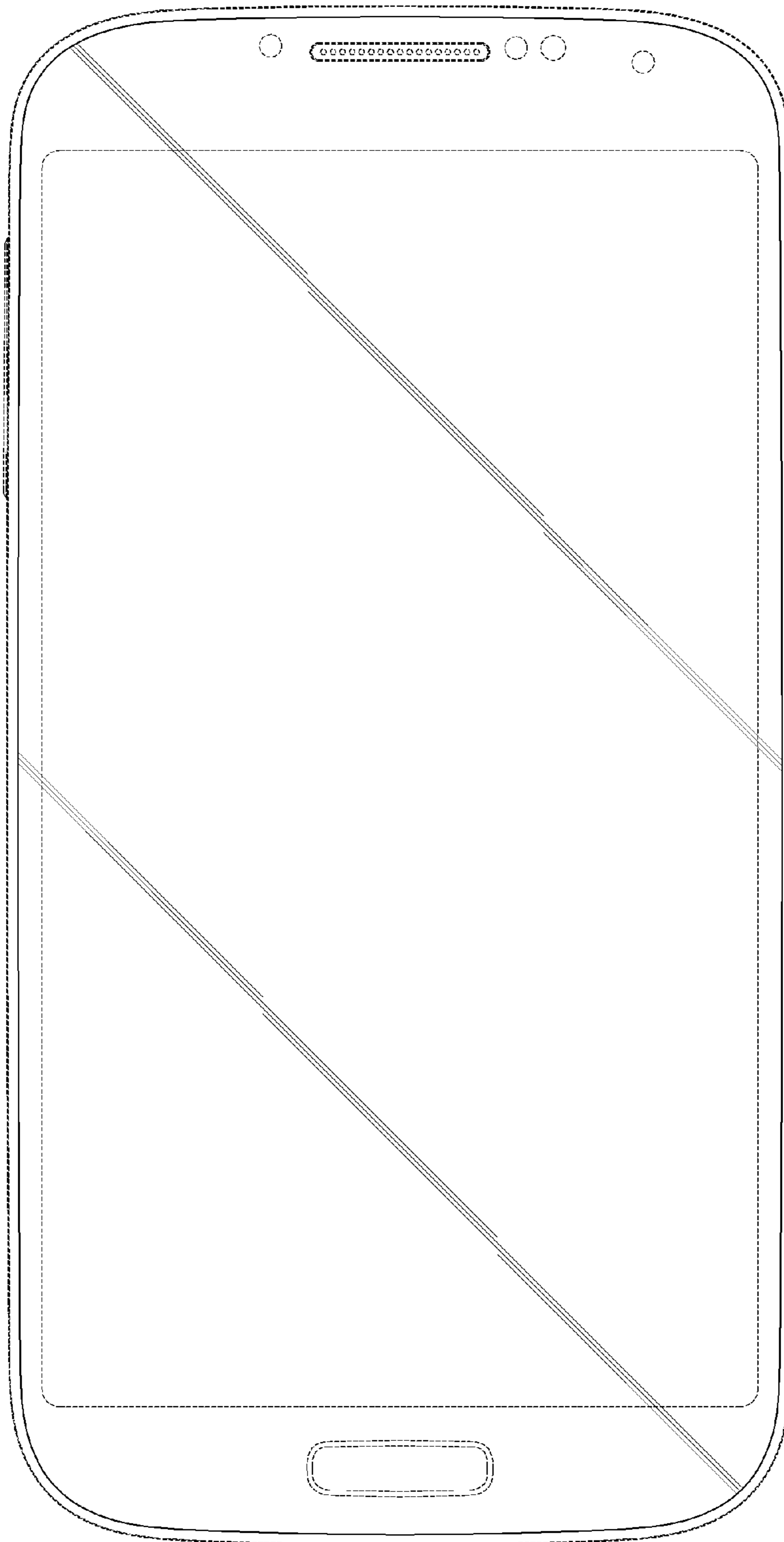


FIG. 2

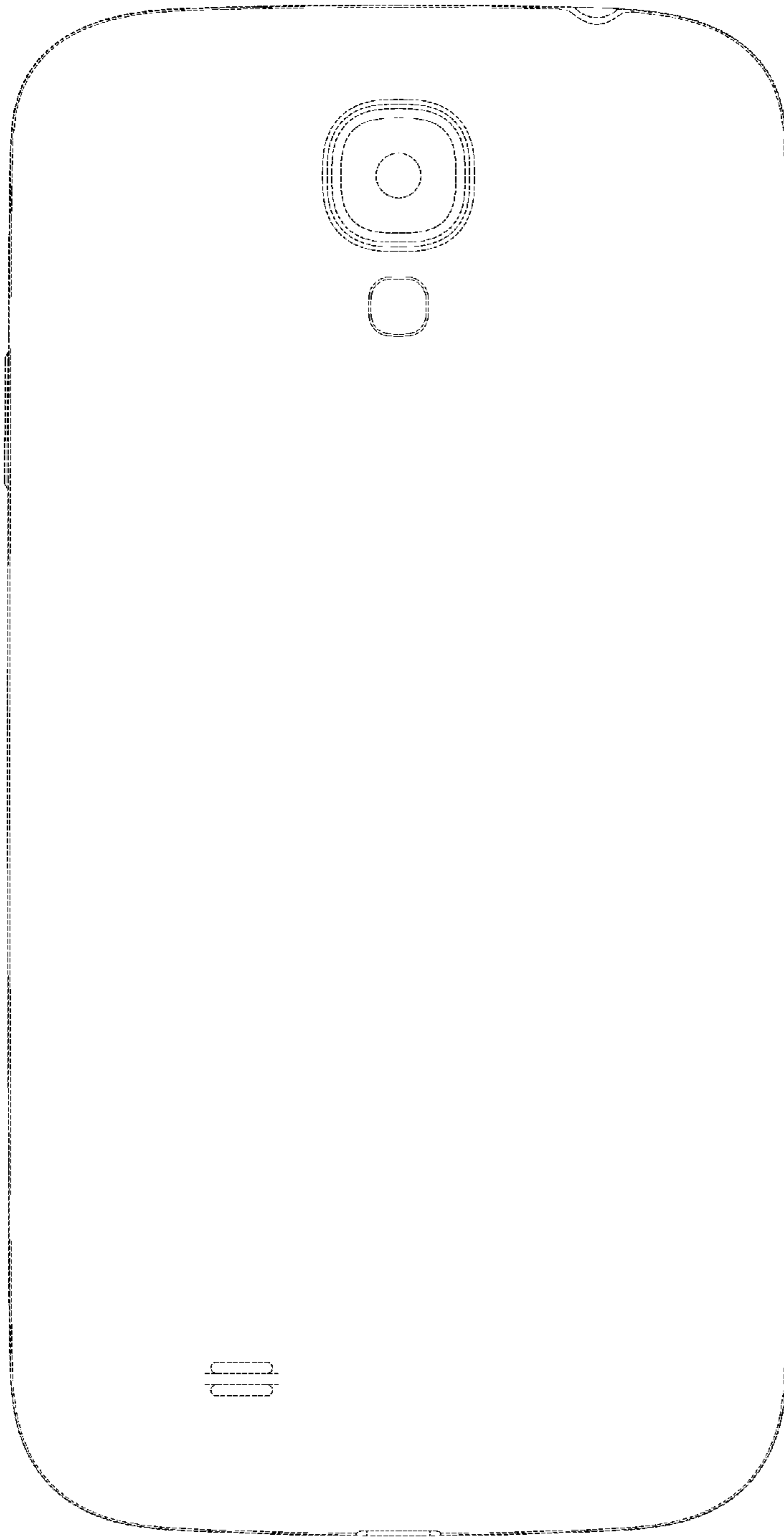


FIG.3

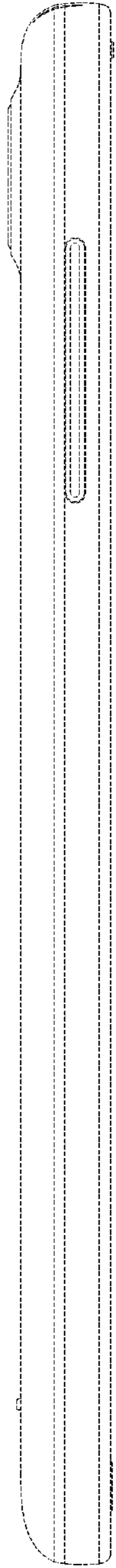


FIG.4



FIG.5

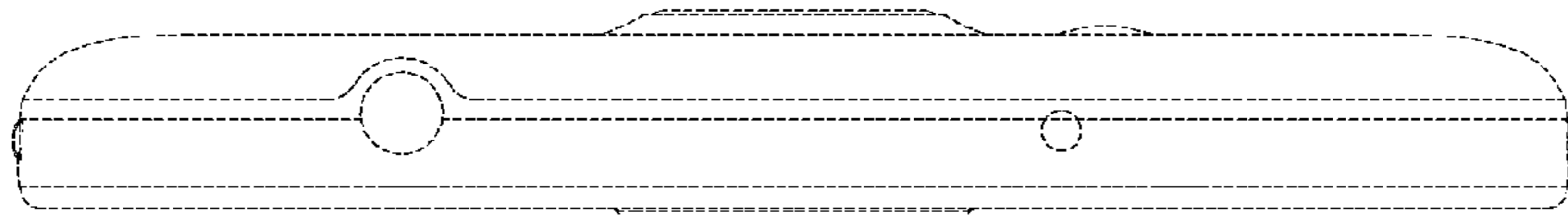


FIG. 6

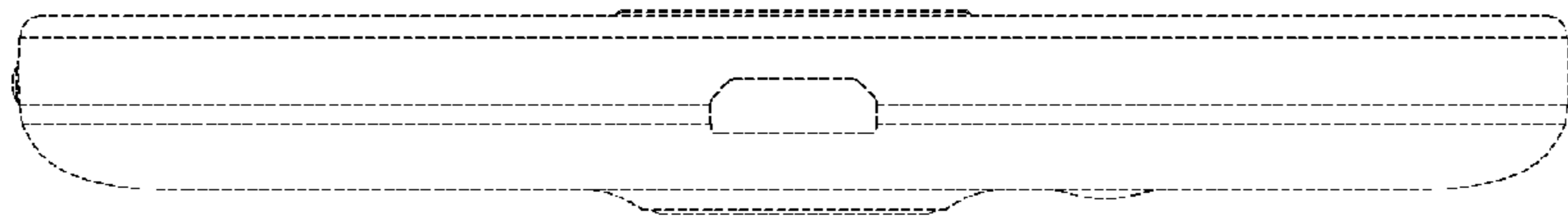


FIG. 7

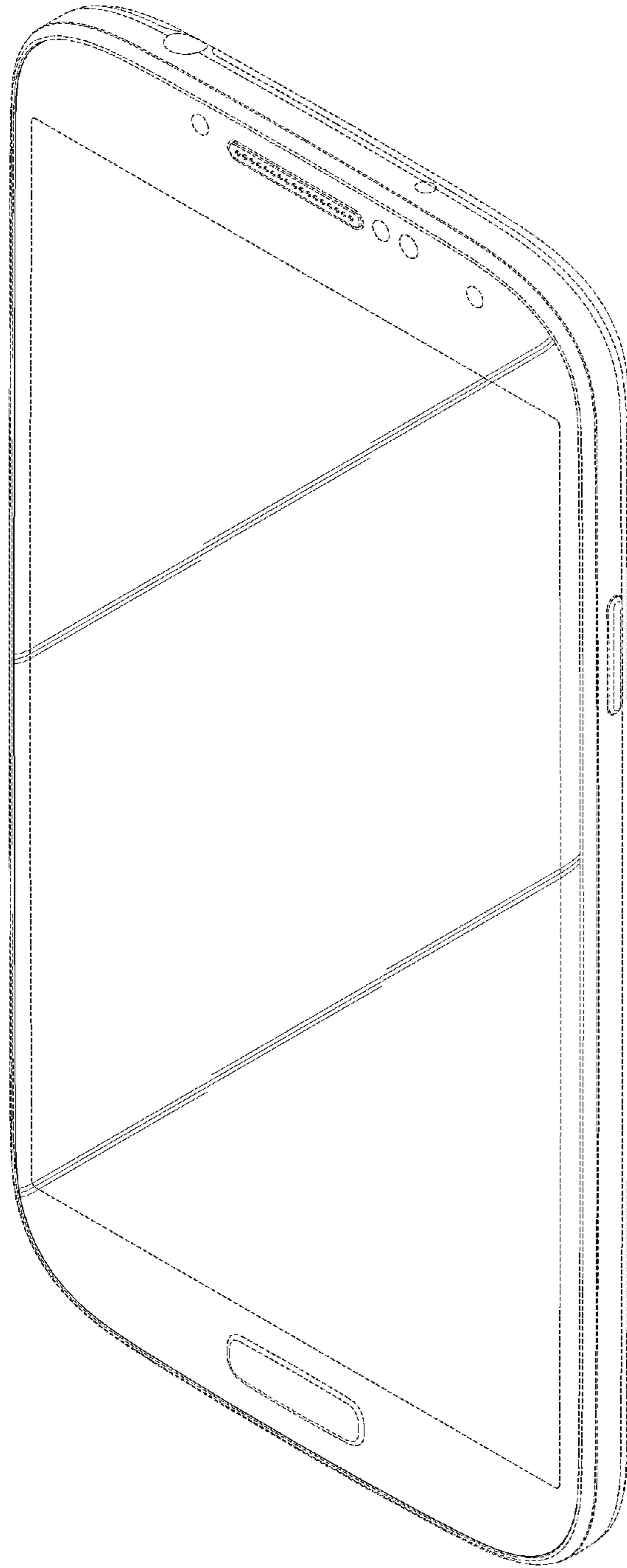


FIG.8

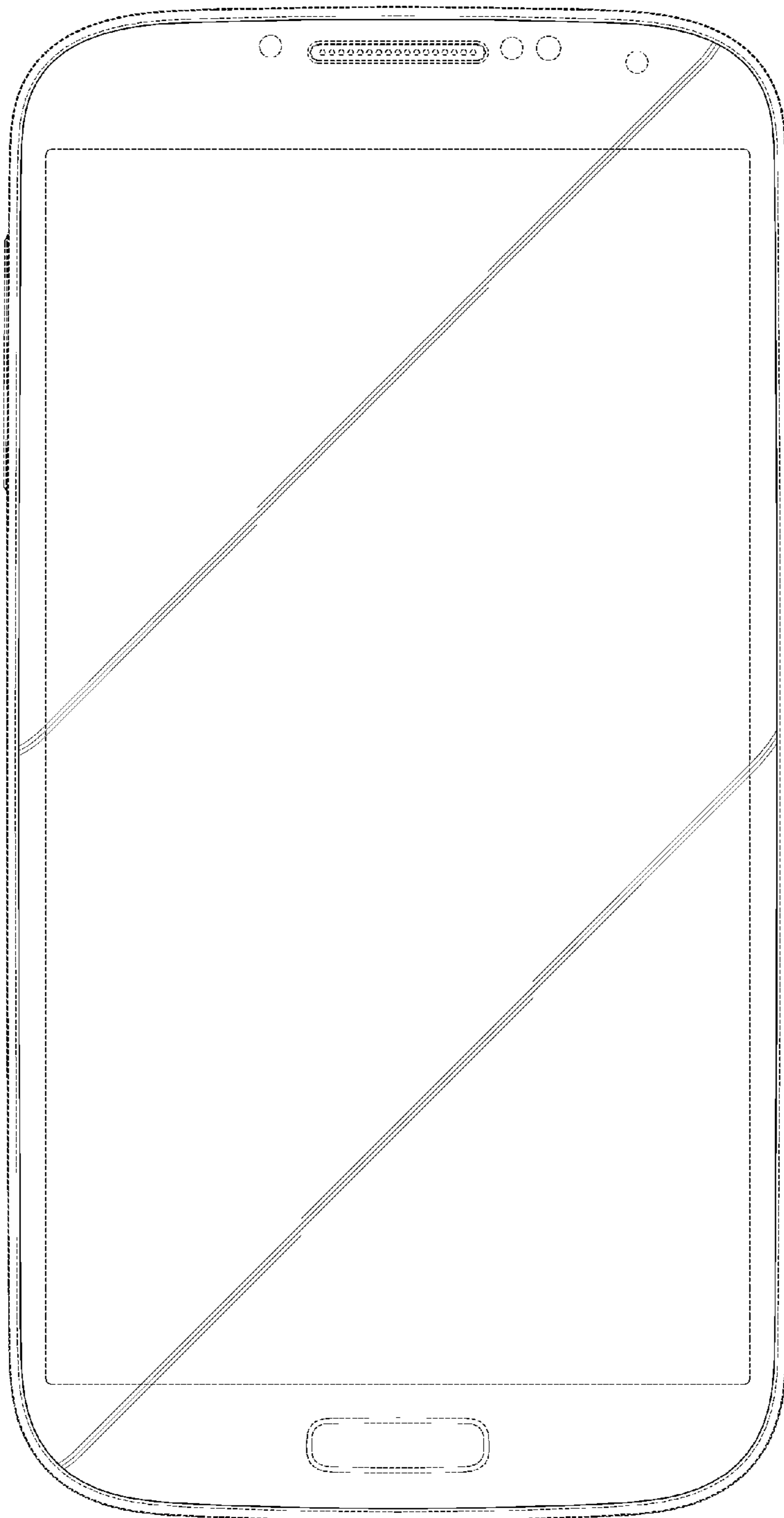


FIG. 9

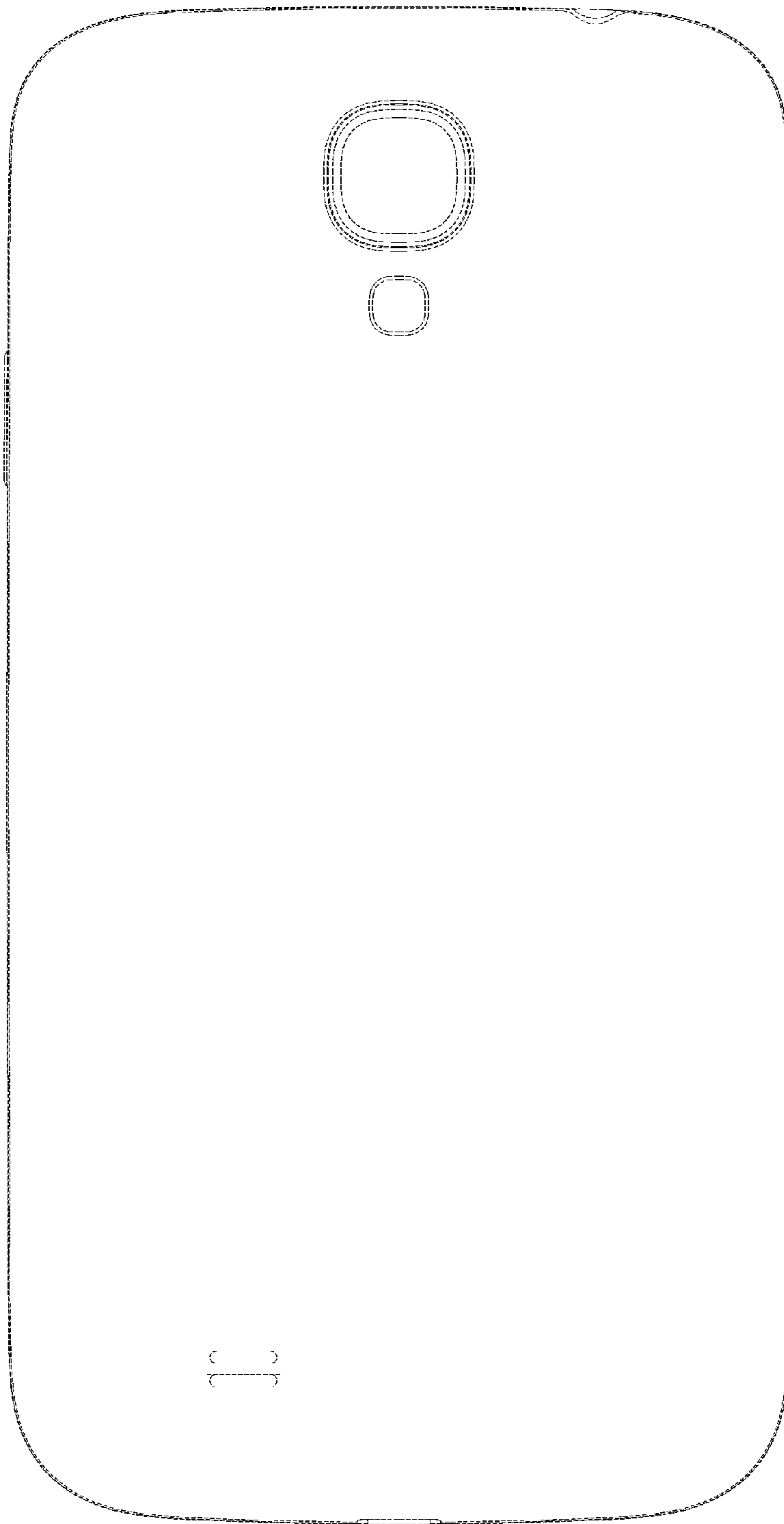


FIG.10

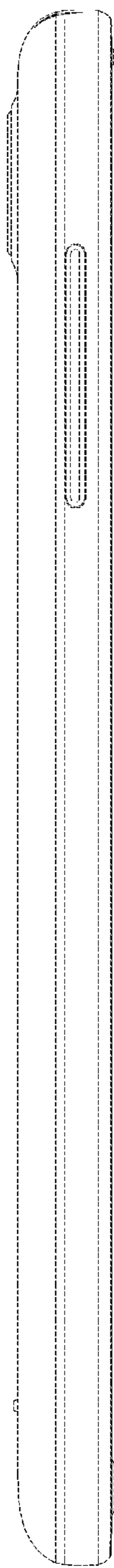


FIG. 11

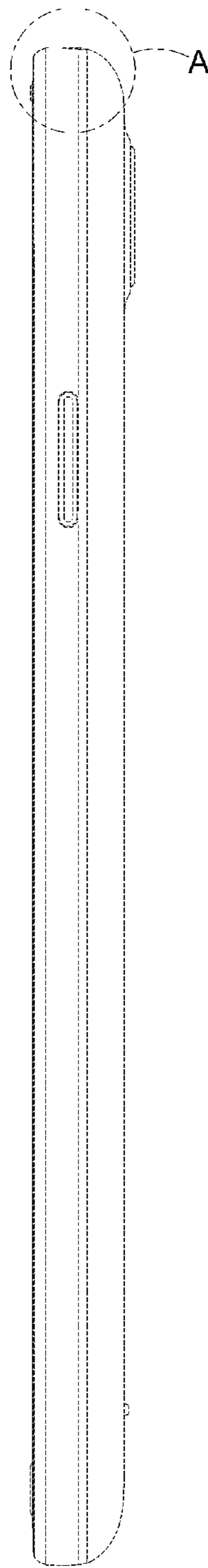


FIG. 12

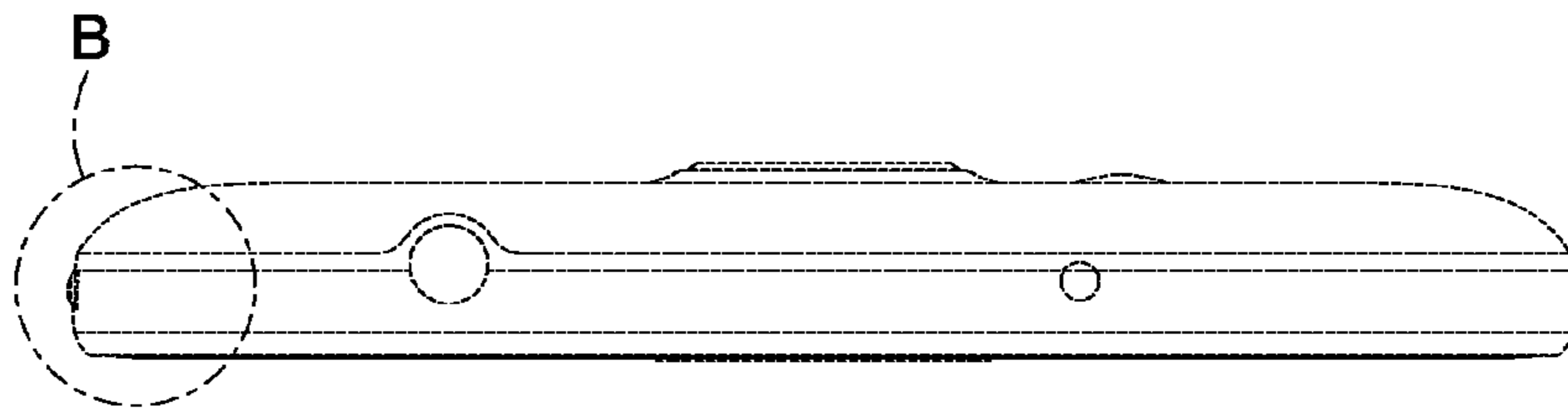


FIG.13

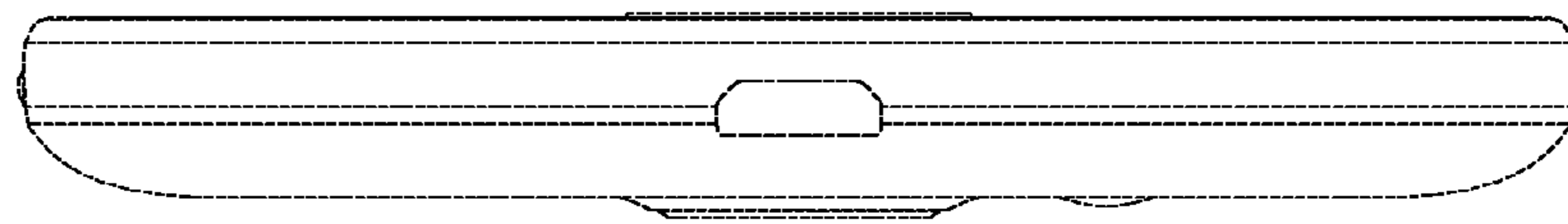


FIG.14

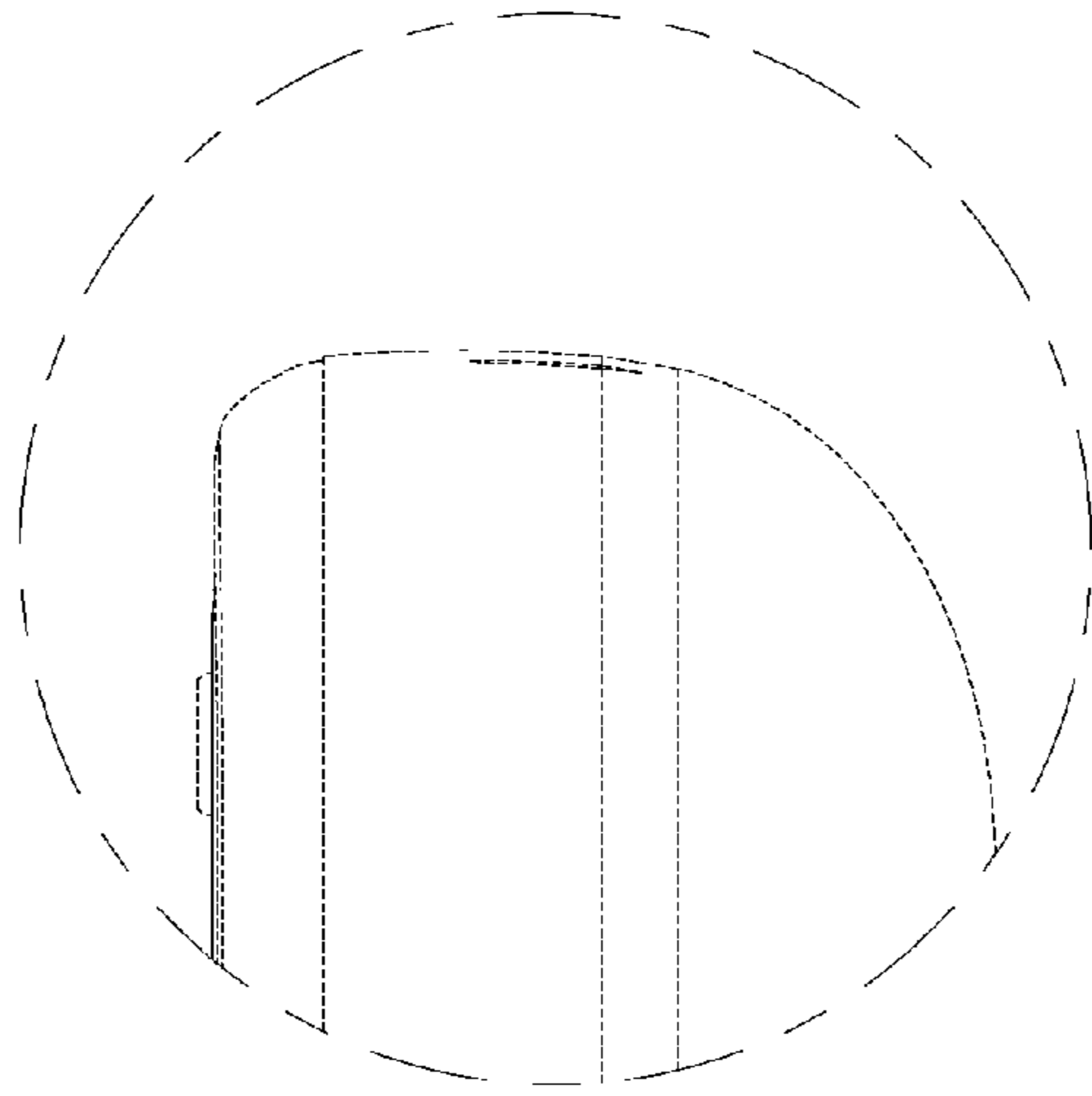


FIG.15

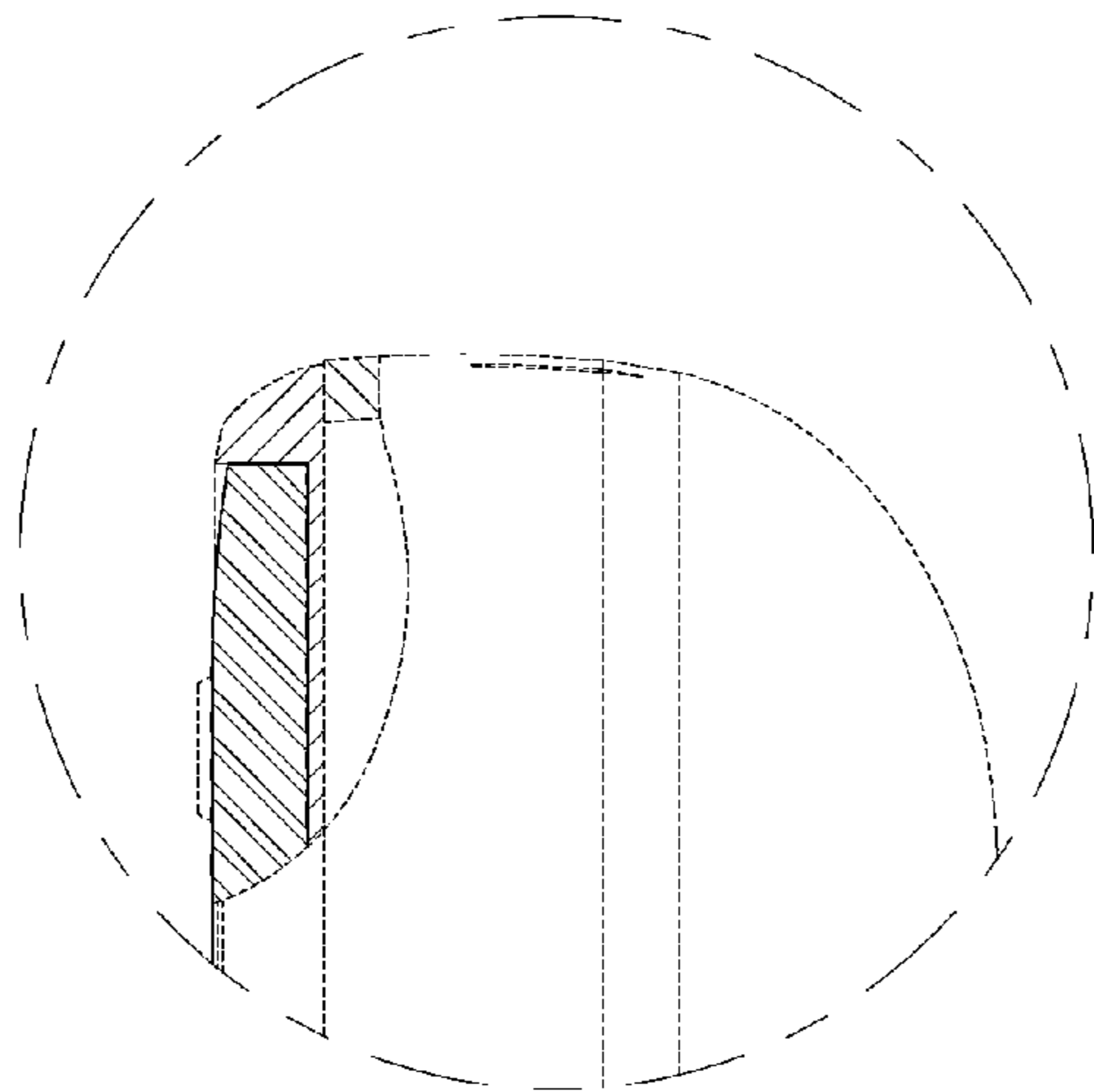


FIG.16

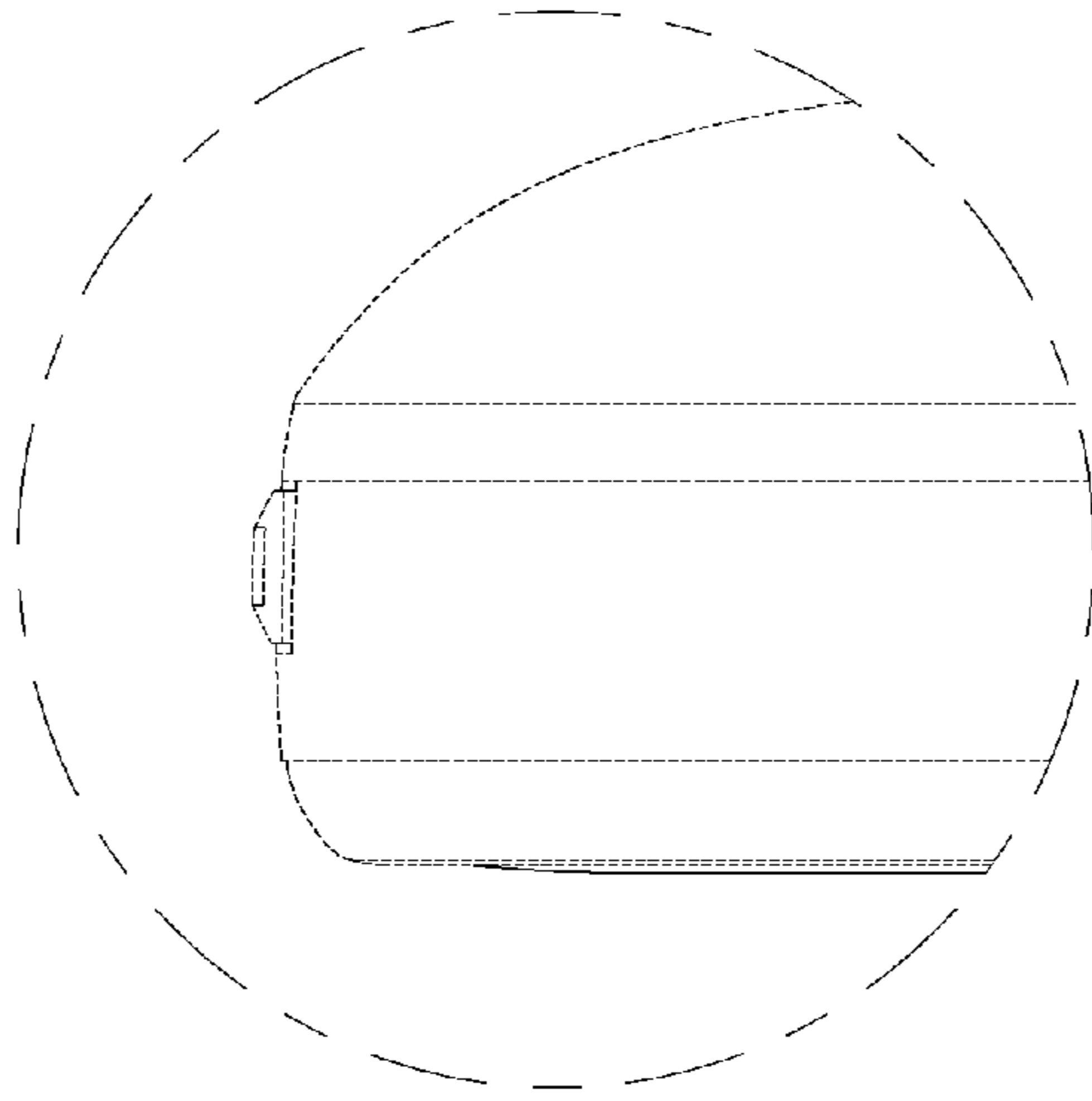


FIG.17

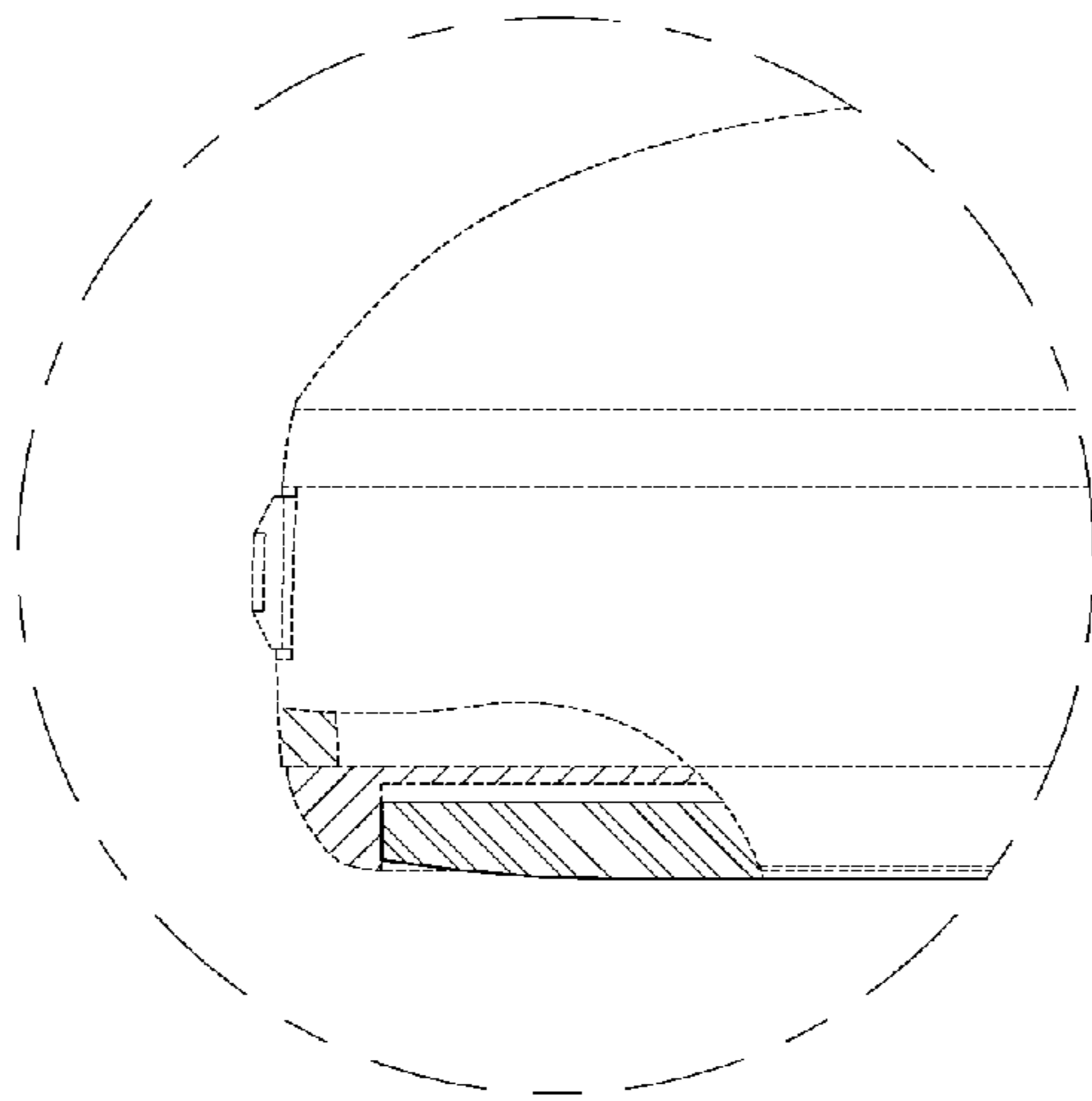


FIG.18