



US00D727302S

(12) **United States Design Patent**  
**Shin et al.**

(10) **Patent No.:** **US D727,302 S**  
(45) **Date of Patent:** **\*\* Apr. 21, 2015**

(54) **STAND FOR TV RECEIVER**

(71) Applicant: **Samsung Electronics Co., Ltd.**,  
Suwon-si (KR)  
(72) Inventors: **Rina Shin**, Seoul (KR); **Soyoung Jung**,  
Incheon (KR)  
(73) Assignee: **Samsung Electronics Co., Ltd.**,  
Suwon-si (KR)

(\*\*) Term: **14 Years**

(21) Appl. No.: **29/495,278**

(22) Filed: **Jun. 30, 2014**

(30) **Foreign Application Priority Data**

Jan. 2, 2014 (KR) ..... 30-2014-0000252

(51) **LOC (10) Cl.** ..... **14-03**

(52) **U.S. Cl.**  
USPC ..... **D14/239**

(58) **Field of Classification Search**  
USPC ..... D14/239, 211, 238, 251, 253, 371–382,  
D14/125–129, 336, 337, 447, 448, 451, 452,  
D14/492, 450; 341/12; 345/104, 156, 168,  
345/173; 348/180, 184, 325, 739; 349/1, 2,  
349/11, 62; 361/679.05–679.07, 679.21;  
D6/300, 310–313, 308, 708

See application file for complete search history.

(56) **References Cited**

U.S. PATENT DOCUMENTS

D588,117 S *	3/2009	Arai .....	D14/239
D661,271 S *	6/2012	Hwangbo et al. ....	D14/126
D661,272 S *	6/2012	Kim et al. ....	D14/126
D680,106 S *	4/2013	Hwangbo et al. ....	D14/239
D695,700 S *	12/2013	Seong .....	D14/126
D698,794 S *	2/2014	Li .....	D14/451
D699,713 S *	2/2014	Seong .....	D14/239
D700,170 S *	2/2014	Choi et al. ....	D14/239
D700,187 S *	2/2014	Lee .....	D14/451
D705,200 S *	5/2014	Choi .....	D14/239

\* cited by examiner

*Primary Examiner* — Randall Gholson  
(74) *Attorney, Agent, or Firm* — NSIP Law

(57) **CLAIM**

We claim the ornamental design for a stand for TV receiver, as shown and described.

**DESCRIPTION**

FIG. 1 is a front perspective view of a stand for TV receiver showing our new design;  
FIG. 2 is a front view thereof;  
FIG. 3 is a rear view thereof;  
FIG. 4 is a left-side view thereof;  
FIG. 5 is a right-side view thereof;  
FIG. 6 is a top view thereof;  
FIG. 7 is a bottom view thereof; and,  
FIG. 8 is another front perspective view, in which a TV receiver and a symmetric stand in dot-dot-dash broken lines are provided to illustrate an example environment.  
The dot-dot-dash broken line showing of the TV receiver and the symmetric stand in FIG. 8 are for environmental purposes only and form no part of the claimed design.

**1 Claim, 8 Drawing Sheets**

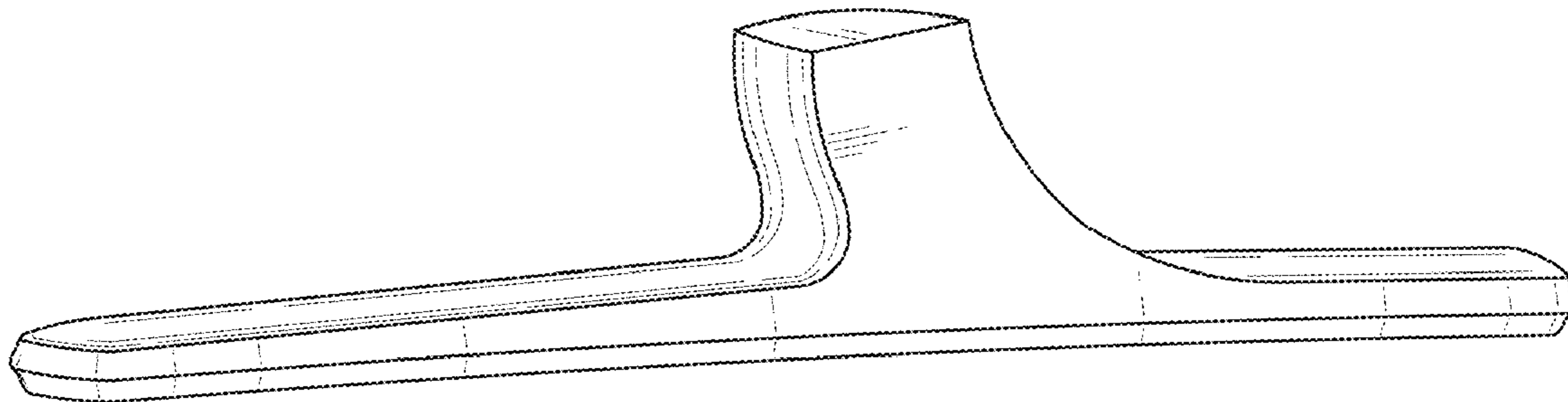


FIG. 1

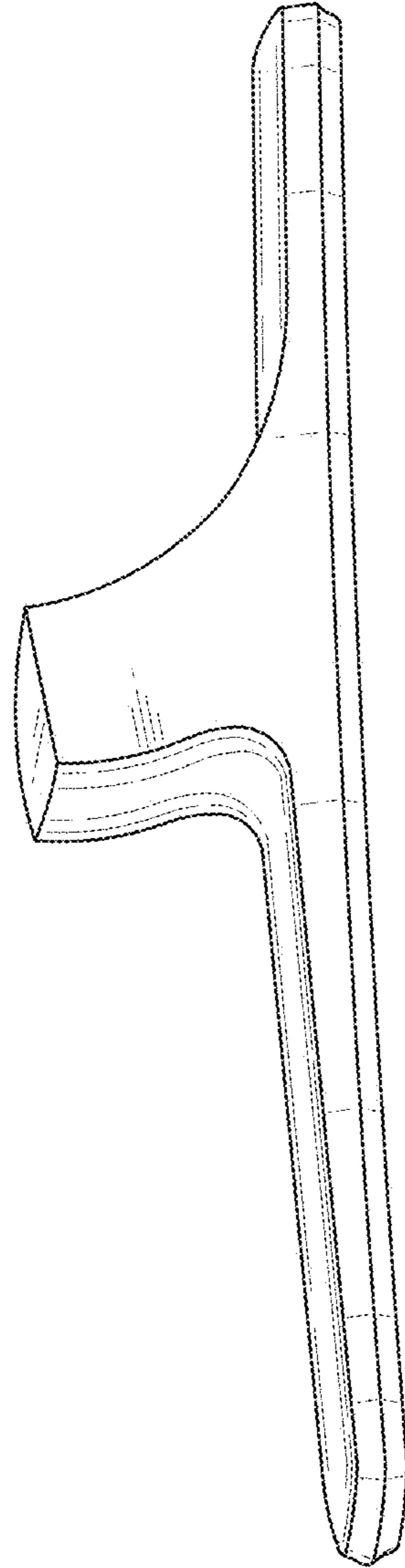


FIG. 2

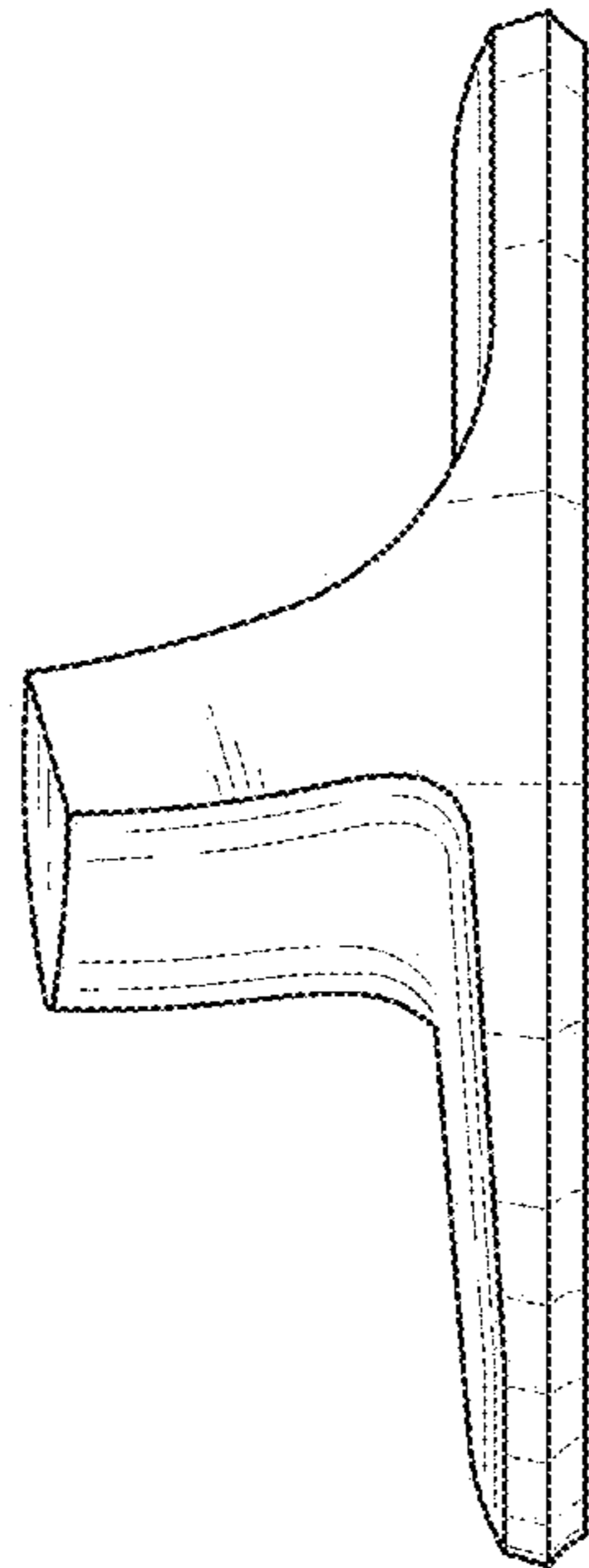


FIG. 3

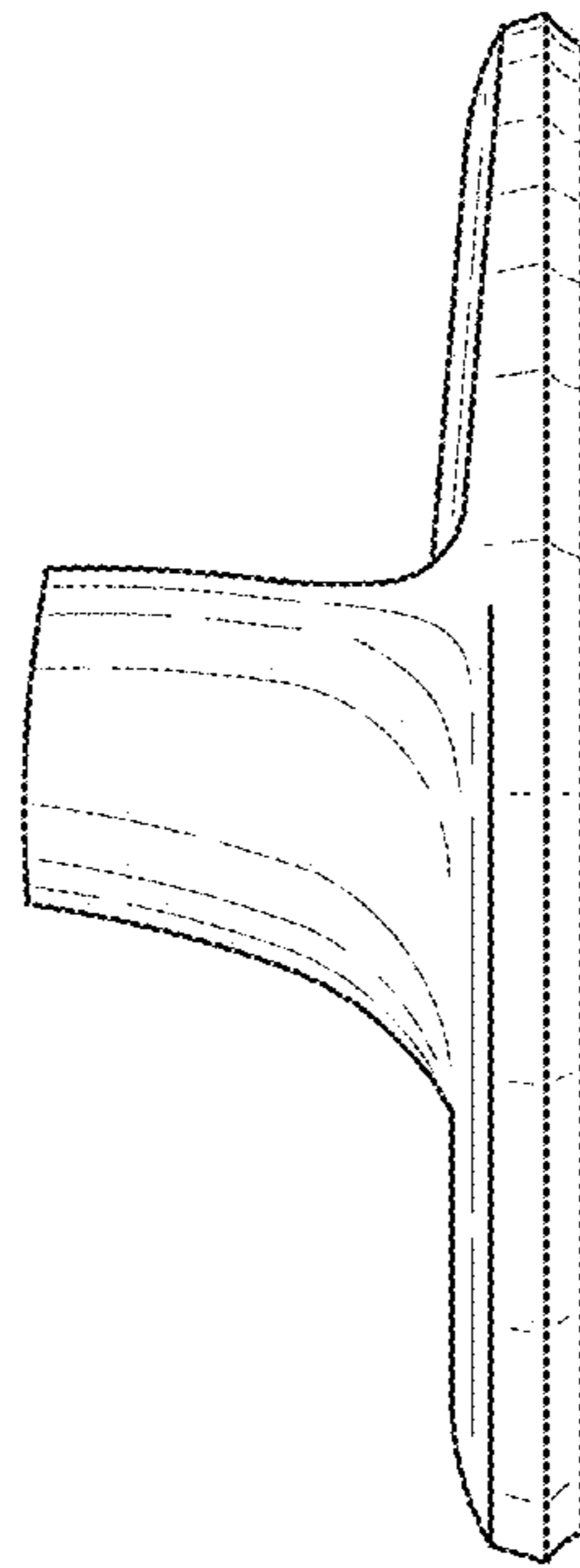


FIG. 4

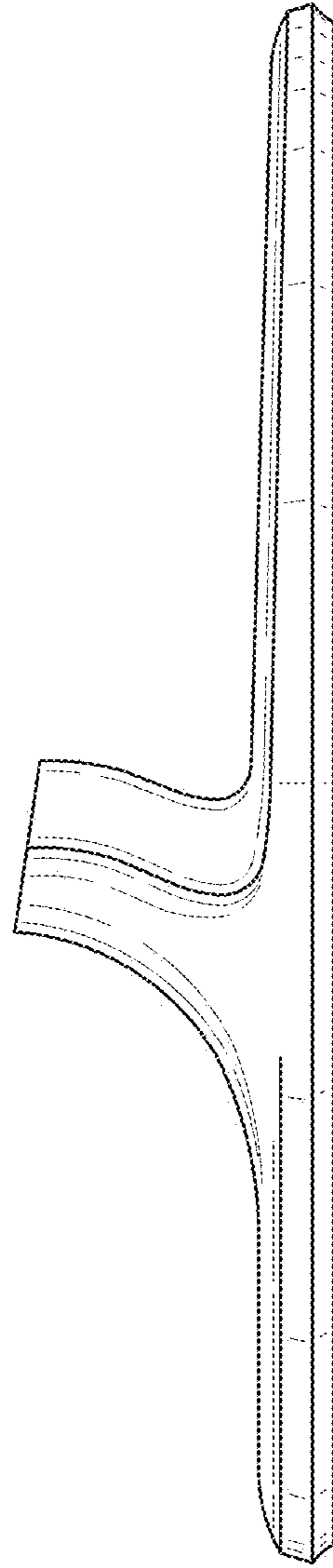
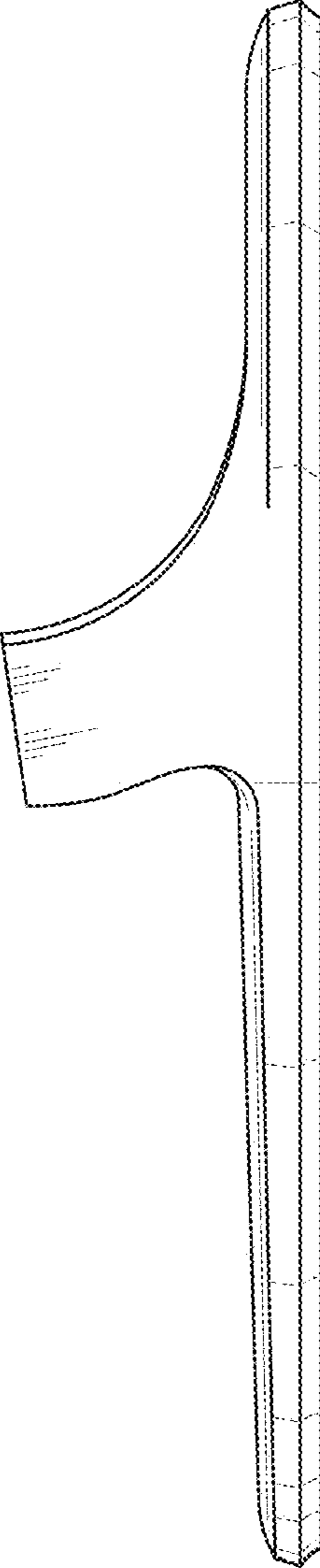


FIG. 5



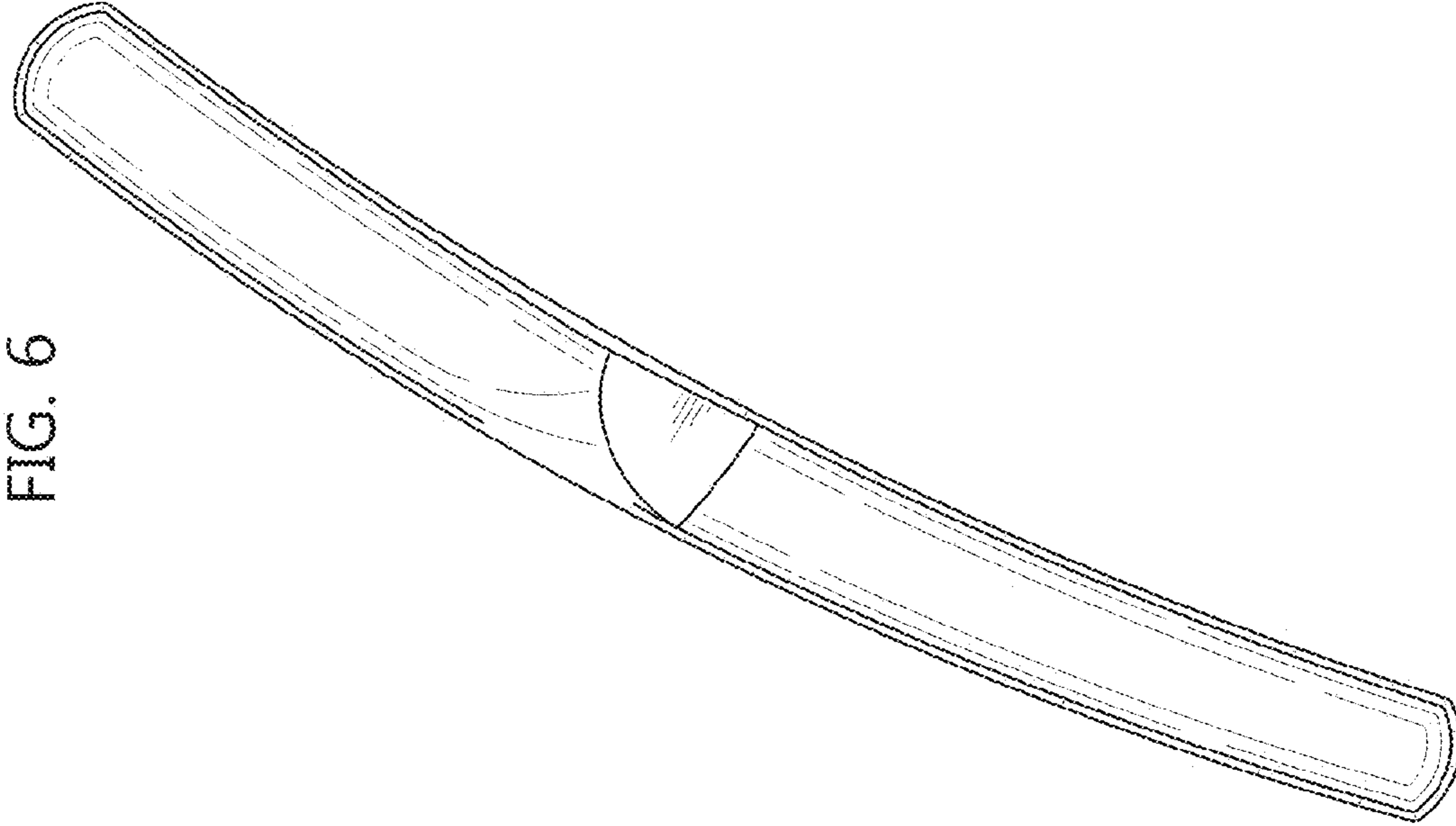


FIG. 6

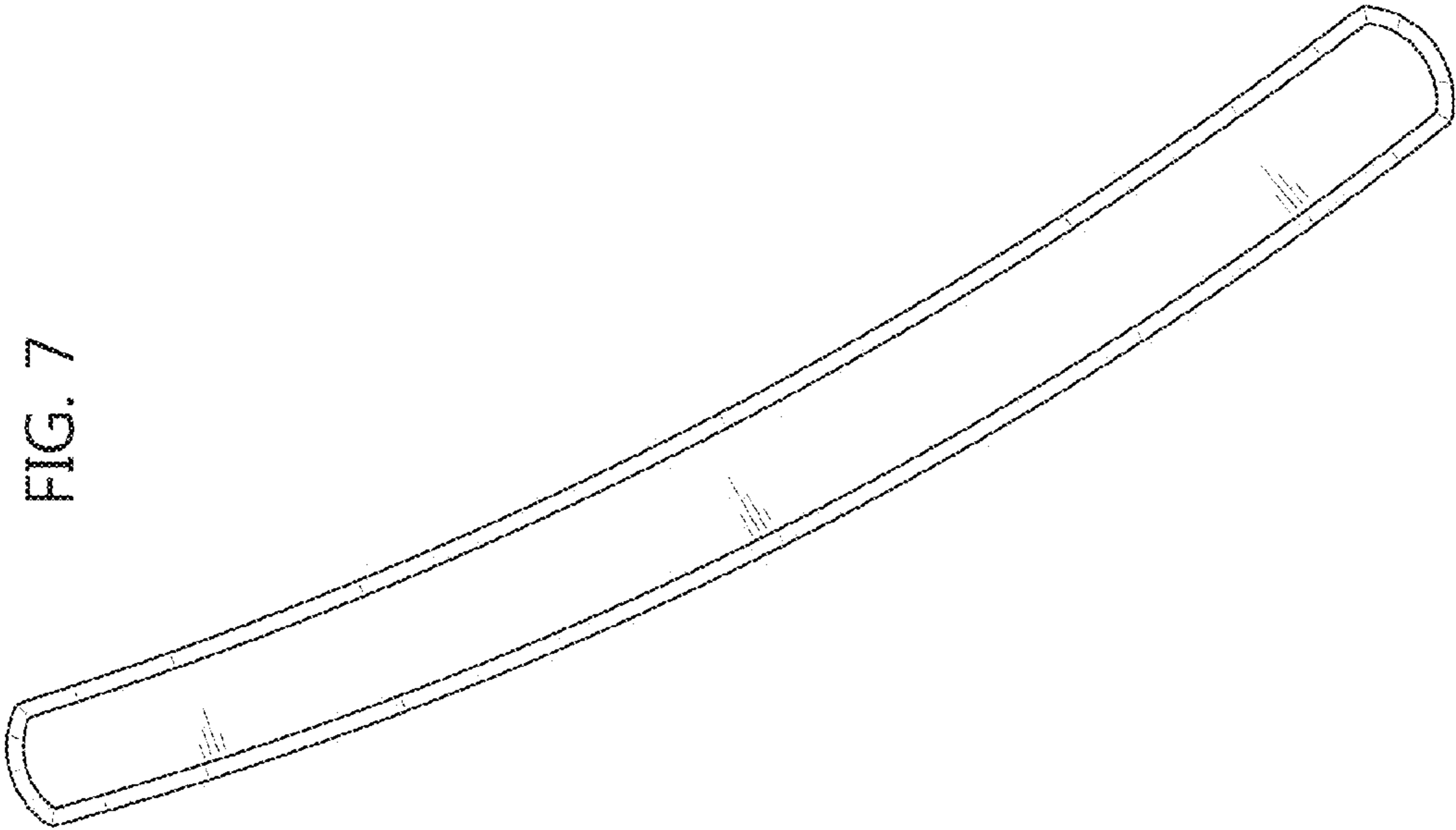


FIG. 7



FIG. 8

