



US00D727298S

(12) **United States Design Patent**  
**Chang**

(10) **Patent No.:** **US D727,298 S**

(45) **Date of Patent:** **\*\* Apr. 21, 2015**

(54) **PORTABLE WIRELESS SPEAKER**

(56) **References Cited**

(71) Applicants: **Lite-On Electronics (Guangzhou) Limited**, Guangzhou (CN); **Lite-On Technology Corporation**, Taipei (TW)

U.S. PATENT DOCUMENTS

D563,391 S *	3/2008	Skurdal .....	D14/216
D566,730 S *	4/2008	Lee .....	D14/496
D573,579 S *	7/2008	Yamaguchi .....	D14/500
D644,206 S *	8/2011	Ponnert .....	D14/216
D676,418 S *	2/2013	Suzuki .....	D14/209.1
D706,743 S *	6/2014	Lukic et al. ....	D14/204
D706,747 S *	6/2014	Yoshimura .....	D14/209.1
D715,764 S *	10/2014	Kim et al. ....	D14/209.1
D715,765 S *	10/2014	Kim et al. ....	D14/209.1

(72) Inventor: **An-Chi Chang**, Taipei (TW)

\* cited by examiner

(73) Assignees: **Lite-On Electronics (Guangzhou) Limited**, Guangzhou (CN); **Lite-On Technology Corporation**, Taipei (TW)

(\*\*) Term: **14 Years**

*Primary Examiner* — Keli L Hill

(21) Appl. No.: **29/483,088**

(74) *Attorney, Agent, or Firm* — Li & Cai Intellectual Property (USA) Office

(22) Filed: **Feb. 25, 2014**

(57) **CLAIM**

The ornamental design for a “portable wireless speaker,” as shown and described.

(30) **Foreign Application Priority Data**

**DESCRIPTION**

Jan. 29, 2014 (TW) ..... 103300598

(51) **LOC (10) Cl.** ..... **14-03**

(52) **U.S. Cl.**  
USPC ..... **D14/216**

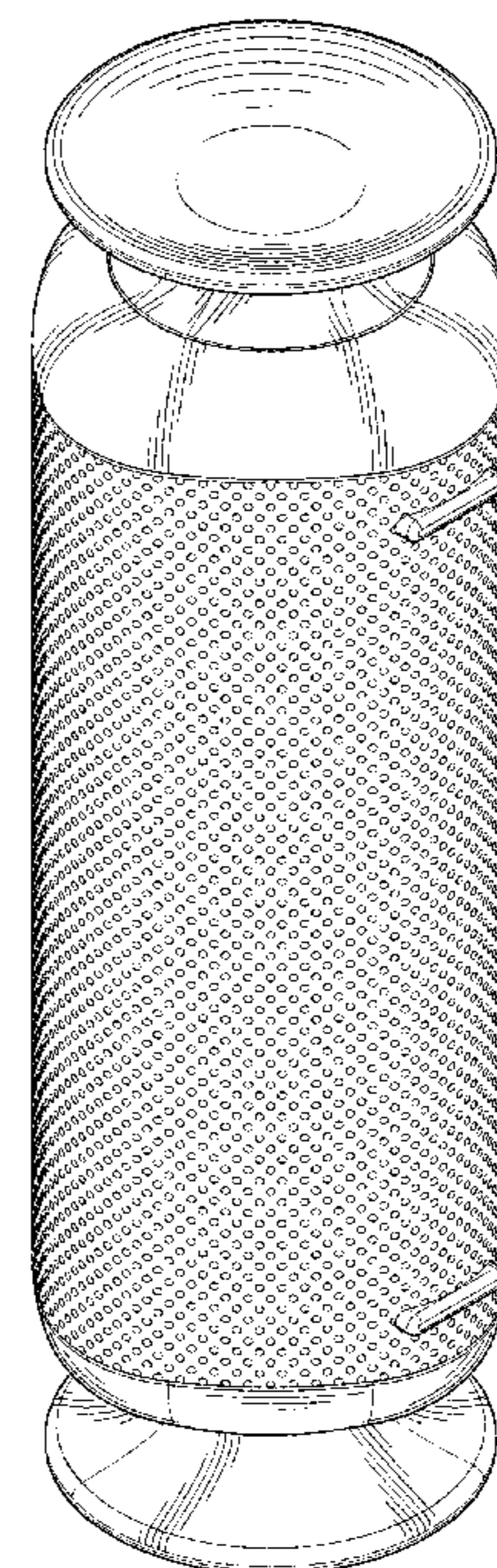
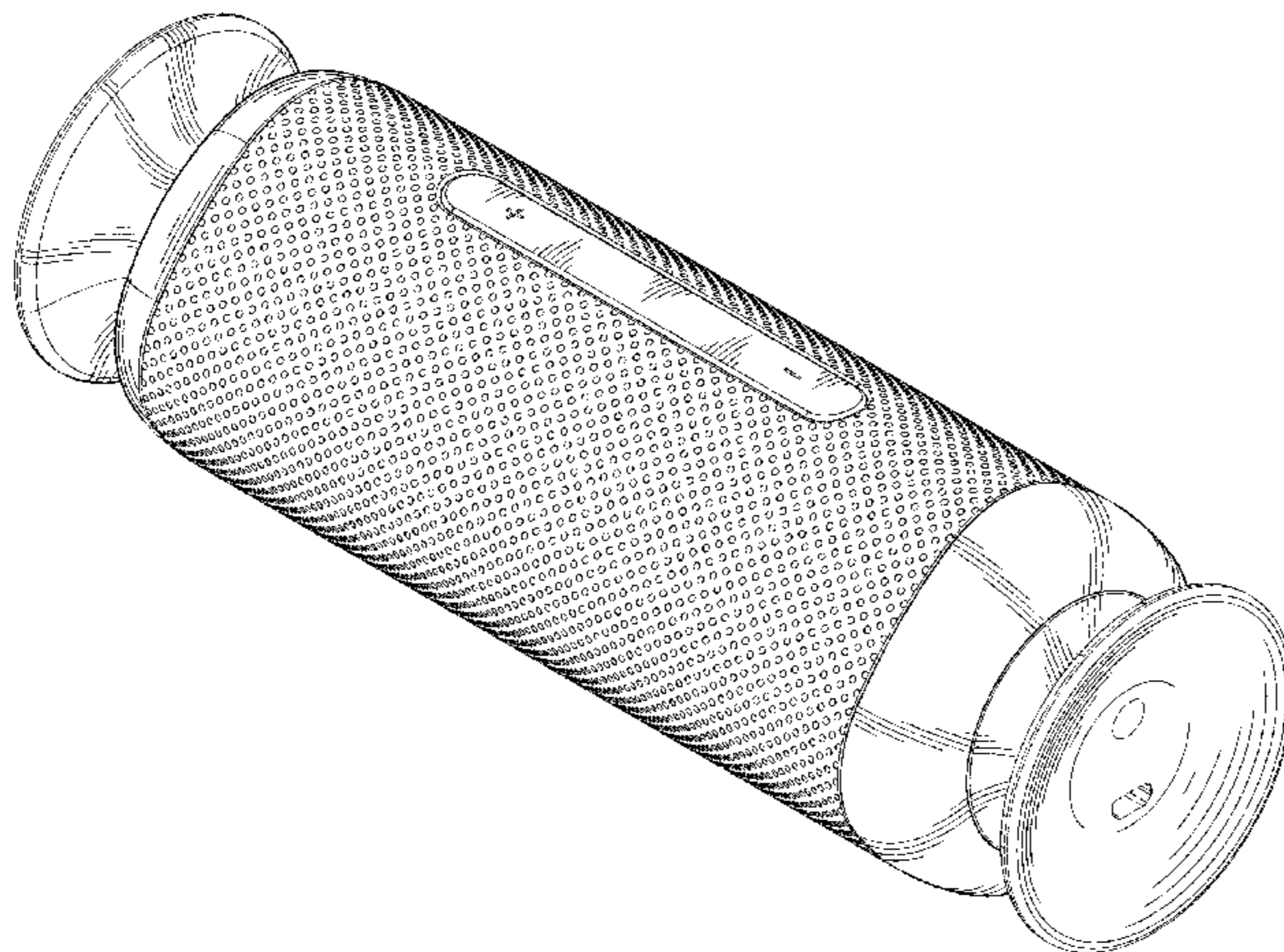
(58) **Field of Classification Search**  
USPC ..... D14/167, 168, 170–172, 188, 192,  
D14/194–196, 204, 207, 209.1, 210–216,  
D14/219, 221, 222, 224, 496; 181/143, 144,  
181/147, 148, 150, 153, 157, 198, 199;  
381/300–303, 306, 332, 333, 336, 345,  
381/361–364, 386, 388; 369/6–12

FIG. 1 is a perspective view of a portable wireless speaker showing my new design; FIG. 2 is a front view thereof; FIG. 3 is a rear view thereof; FIG. 4 is a left side view thereof; FIG. 5 is a right side view thereof; FIG. 6 is a top view thereof; FIG. 7 is a bottom view thereof; and, FIG. 8 is a perspective view viewed from another visual angle.

The broken lines depict portions of the portable wireless speaker which form no part of the claimed design.

See application file for complete search history.

**1 Claim, 5 Drawing Sheets**



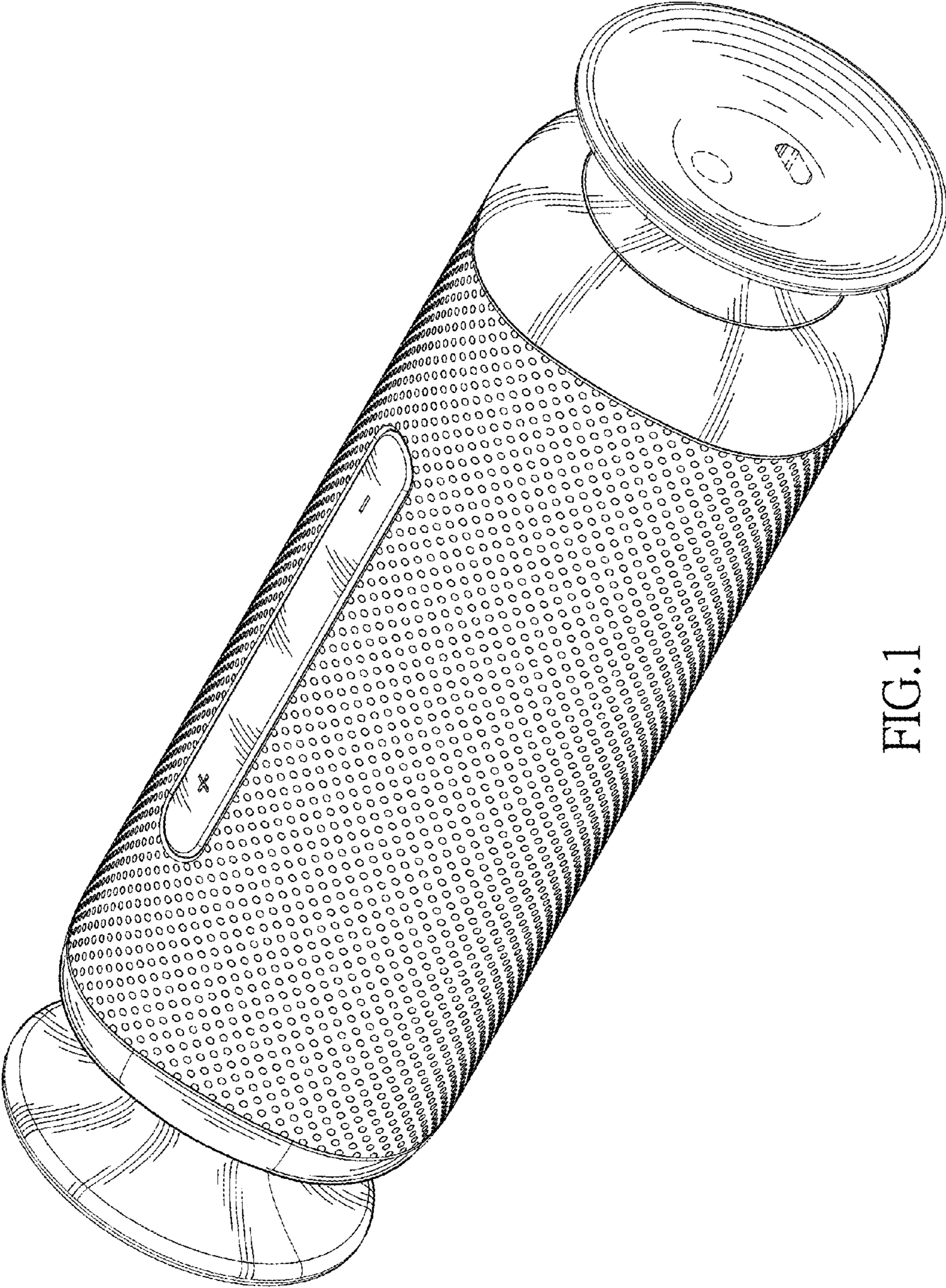


FIG.1

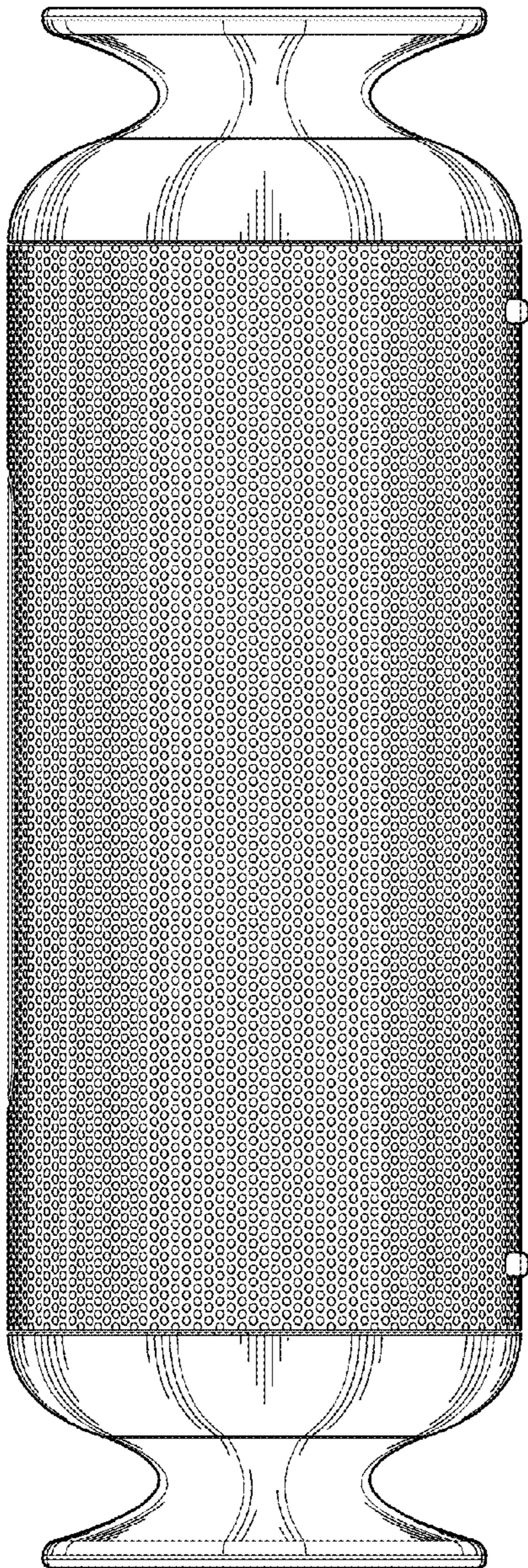


FIG. 2

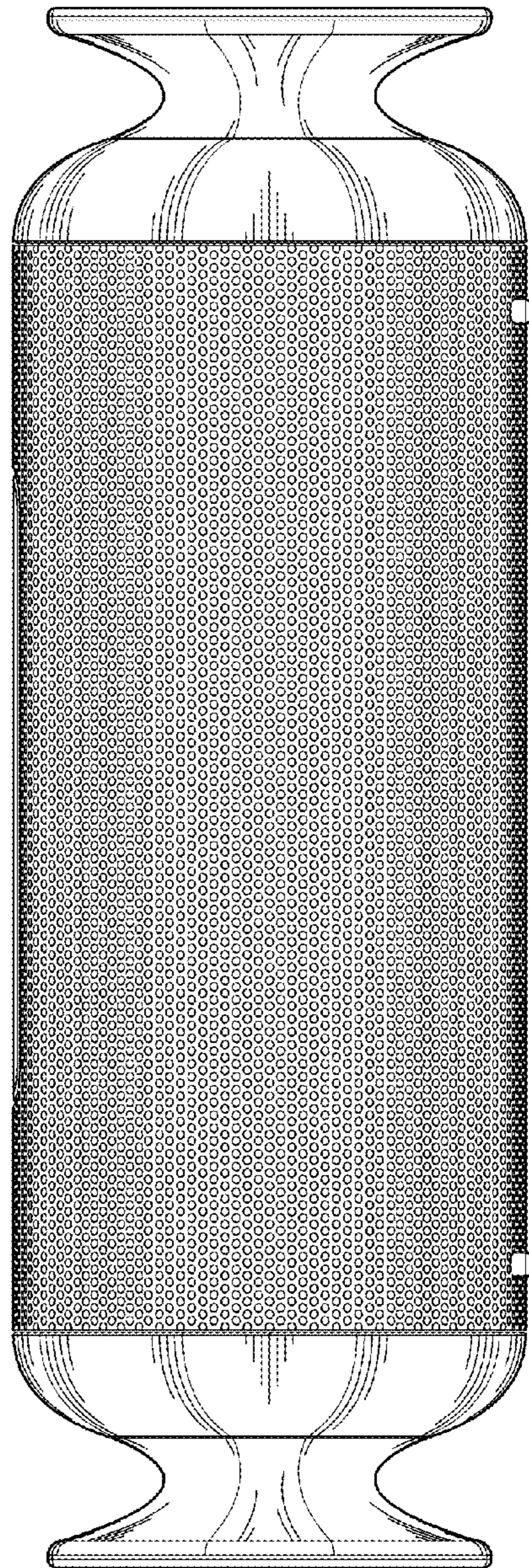


FIG. 3

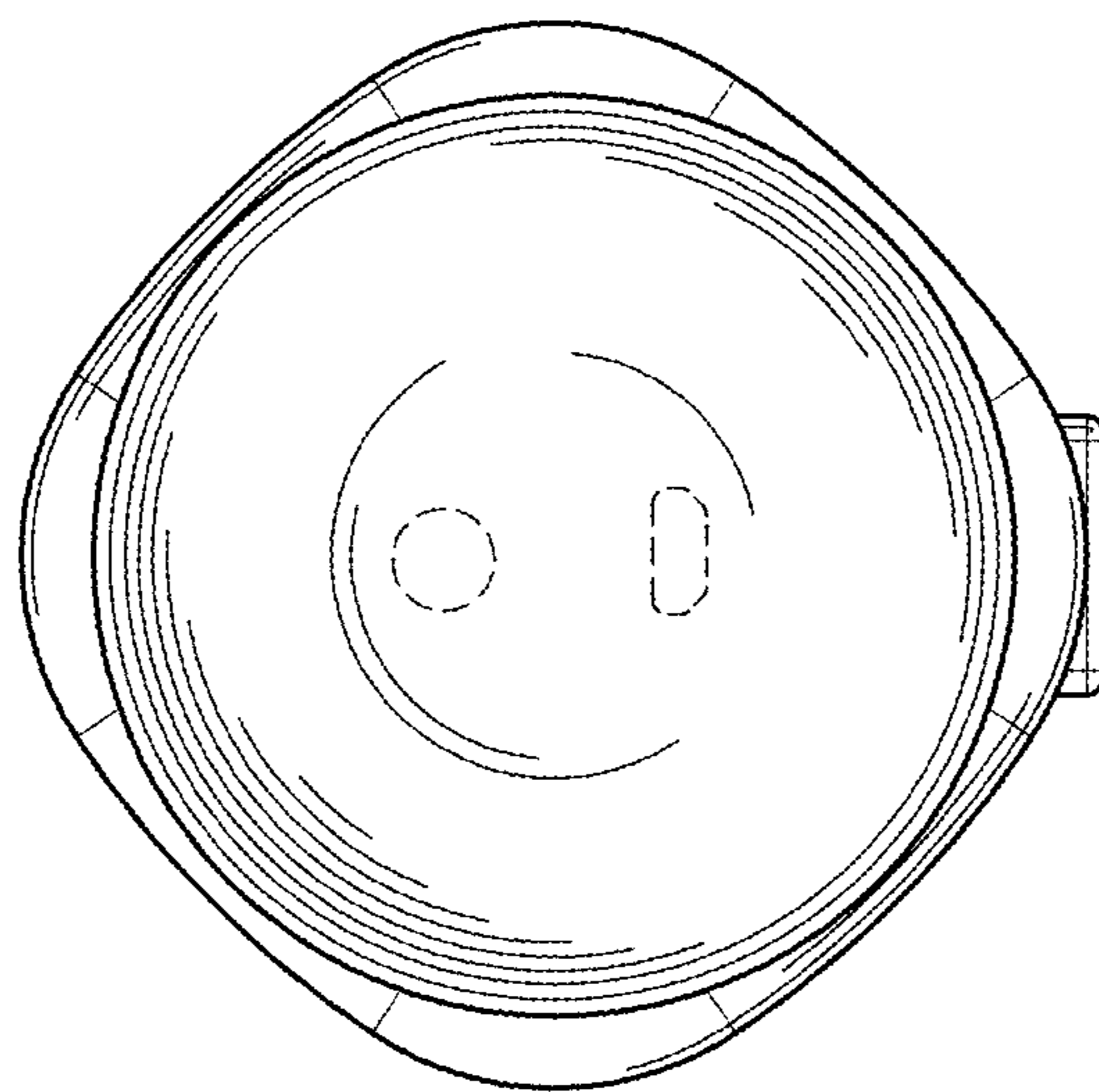


FIG.5

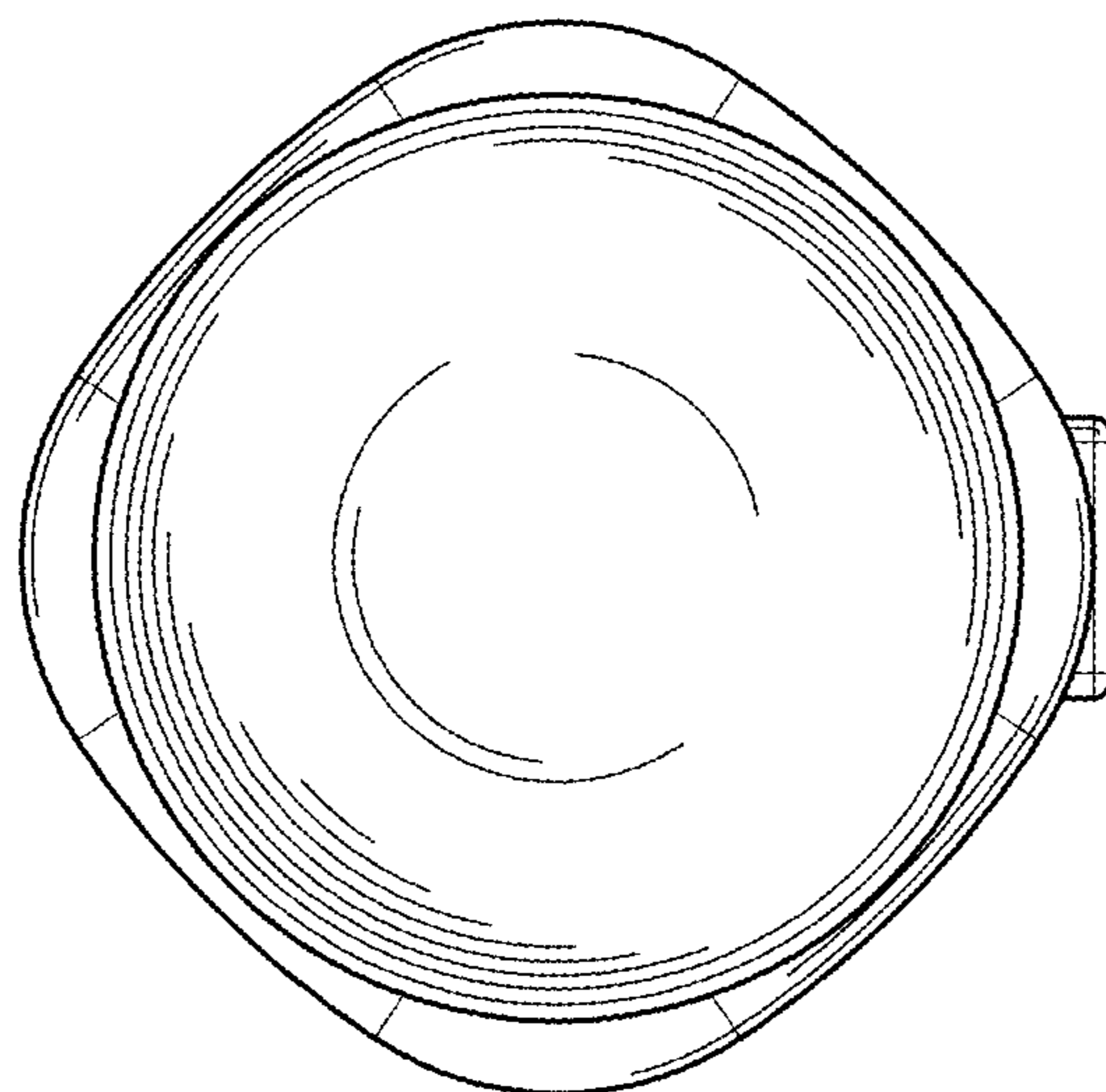


FIG.4

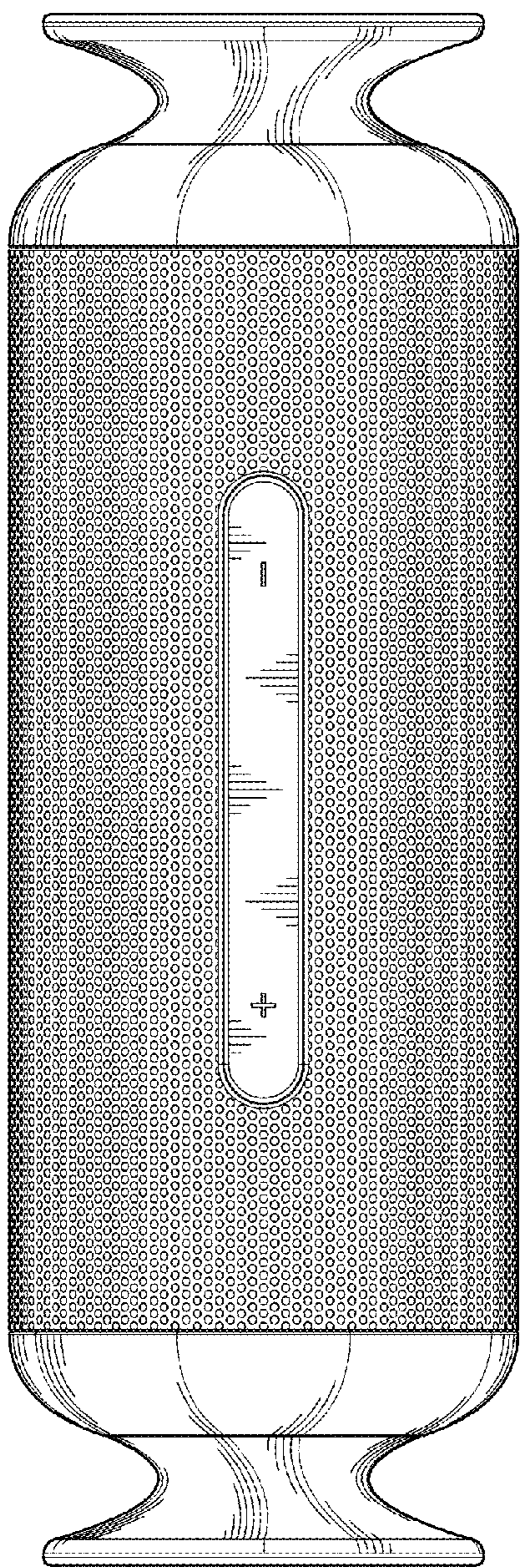


FIG. 6

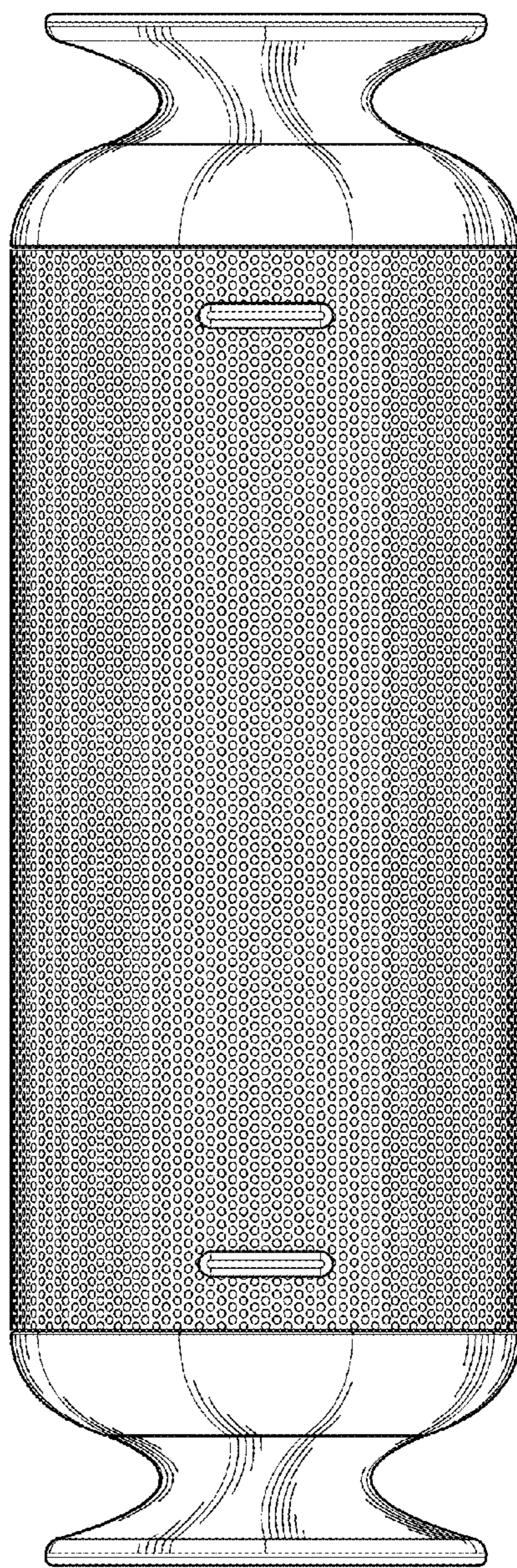


FIG. 7

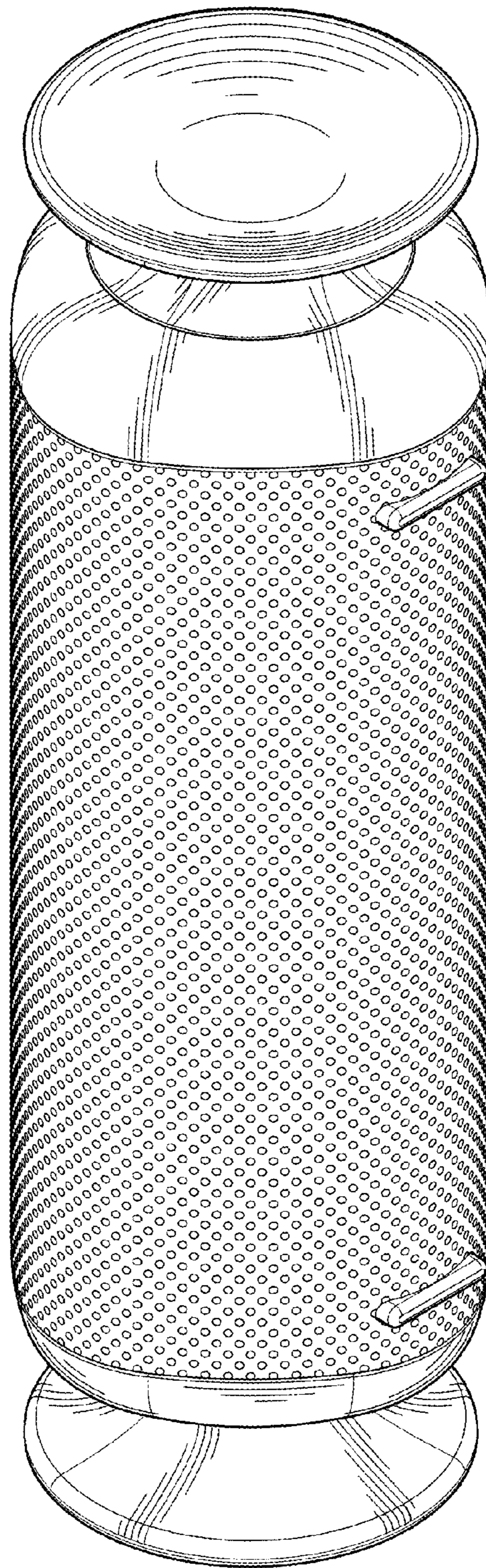


FIG. 8