



US00D727295S

(12) **United States Design Patent**
Gan et al.

(10) **Patent No.:** **US D727,295 S**

(45) **Date of Patent:** **** Apr. 21, 2015**

(54) **SPEAKER**

(71) Applicant: **Creative Technology Ltd.**, Singapore (SG)

(72) Inventors: **Huey Ying Gan**, Singapore (SG); **Fei Xiang**, Singapore (SG); **Soo Beng Damien Khoo**, Singapore (SG)

(73) Assignee: **Creative Technology Ltd**, Singapore (SG)

(**) Term: **14 Years**

(21) Appl. No.: **29/443,055**

(22) Filed: **Jan. 11, 2013**

(30) **Foreign Application Priority Data**

Jul. 12, 2012 (SG) D2012/840/I

(51) **LOC (10) Cl.** **14-03**

(52) **U.S. Cl.**
USPC **D14/214**

(58) **Field of Classification Search**
USPC D14/167, 168, 170–172, 188, 194–196, D14/204, 207, 209.1, 210–216, 219, 221, D14/222, 224; 181/143, 144, 147, 148, 150, 181/153, 157, 198, 199; 381/300–303, 306, 381/332, 333, 336, 345, 361–364, 381/386–388; 369/6–12

See application file for complete search history.

(56) **References Cited**

U.S. PATENT DOCUMENTS

| | | | |
|--------------|---------|--------------------|---------|
| D230,194 S * | 1/1974 | Buckler | D14/197 |
| D588,106 S * | 3/2009 | Khoo et al. | D14/215 |
| D606,974 S * | 12/2009 | Cho et al. | D14/211 |
| D633,083 S * | 2/2011 | Tellier | D14/215 |
| D643,021 S * | 8/2011 | Khoo et al. | D14/215 |
| D664,122 S * | 7/2012 | Cho et al. | D14/215 |
| D680,097 S * | 4/2013 | Davies et al. | D14/215 |
| D689,460 S * | 9/2013 | Chen | D14/172 |

* cited by examiner

Primary Examiner — Keli L Hill

(74) *Attorney, Agent, or Firm* — Russell Swerdon; Desmond Gean

(57) **CLAIM**

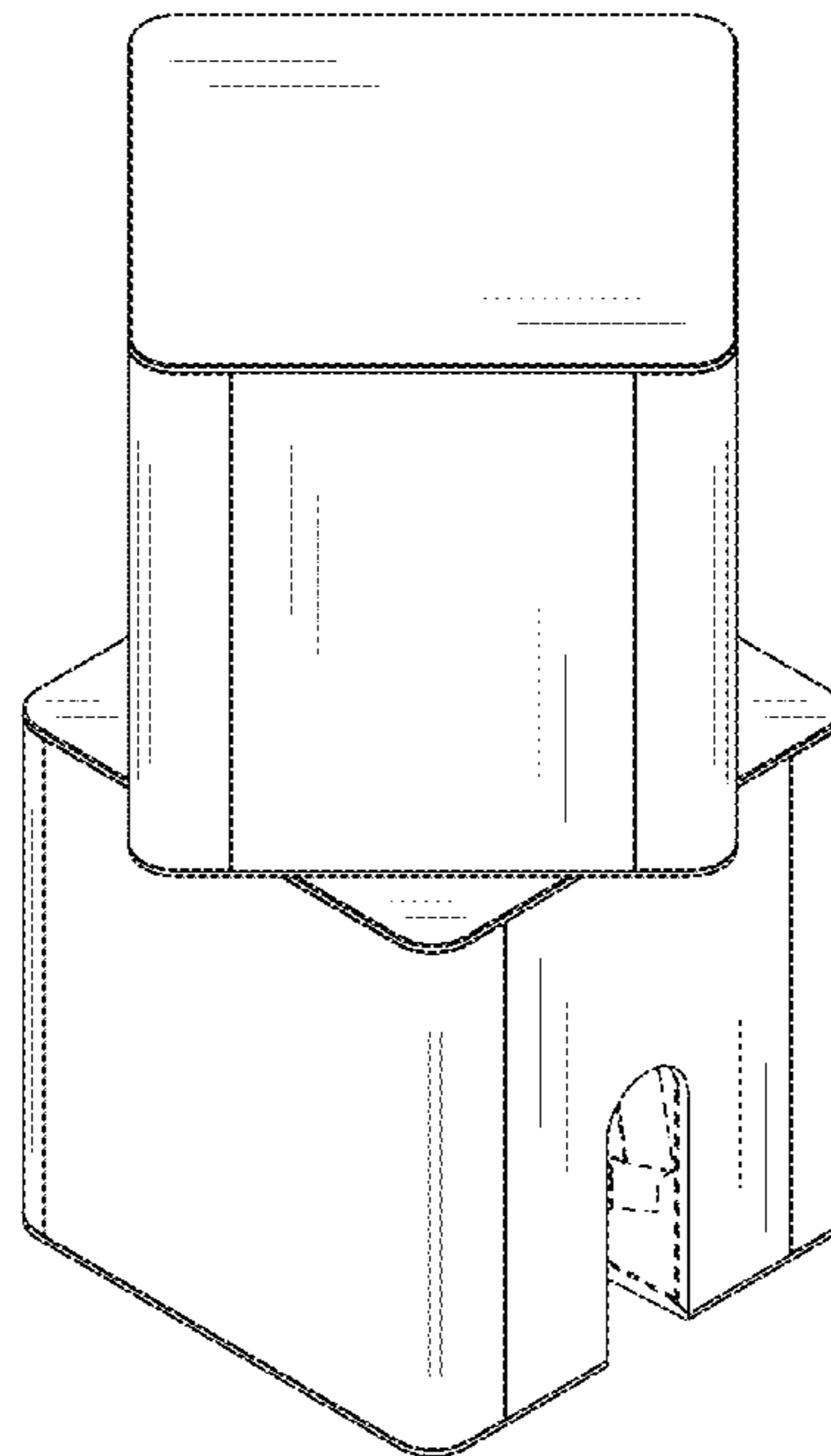
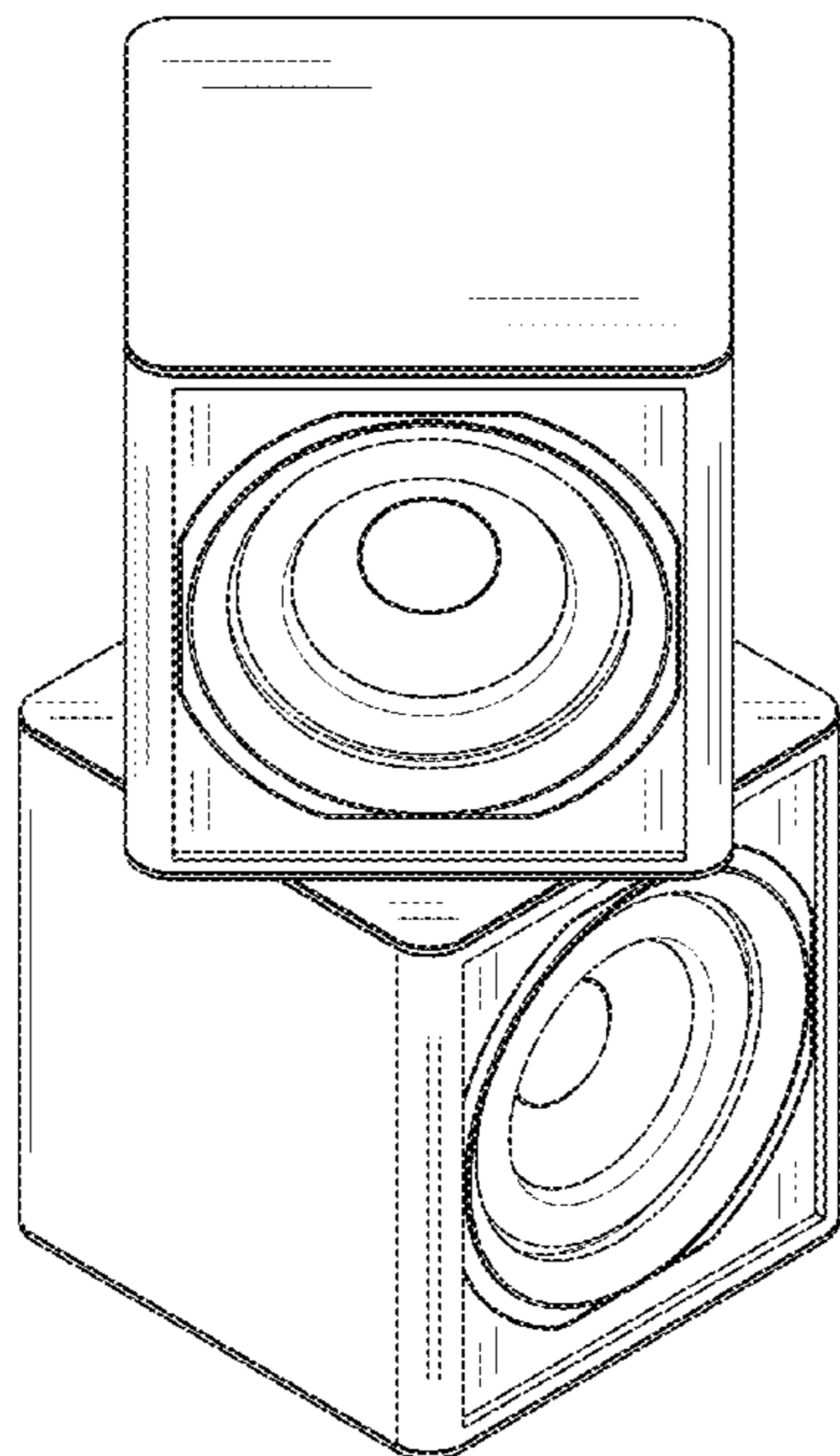
The ornamental design for a speaker, substantially as shown and described.

DESCRIPTION

FIG. 1 is a front top left side perspective view of a speaker showing our new design;
FIG. 2 is a rear top right side perspective view thereof;
FIG. 3 is a front elevational view thereof;
FIG. 4 is rear elevational view thereof;
FIG. 5 is a right side elevational view thereof;
FIG. 6 is a left side elevational view thereof;
FIG. 7 is a top plan view thereof; and,
FIG. 8 is a bottom plan view thereof.

The broken lines shown in the drawings represent unclaimed portions of the speaker and form no part of the claimed design.

1 Claim, 7 Drawing Sheets



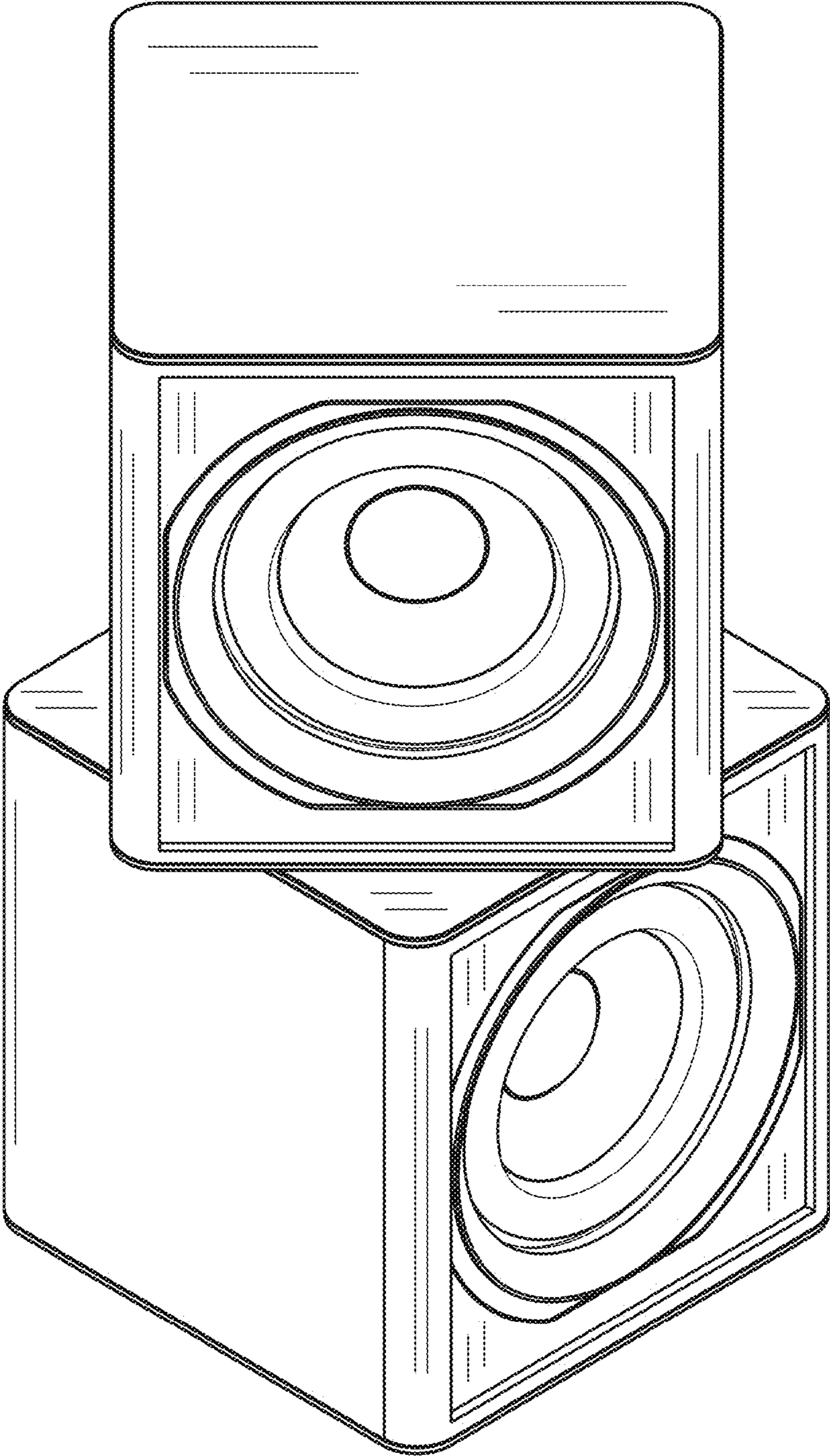


FIG. 1

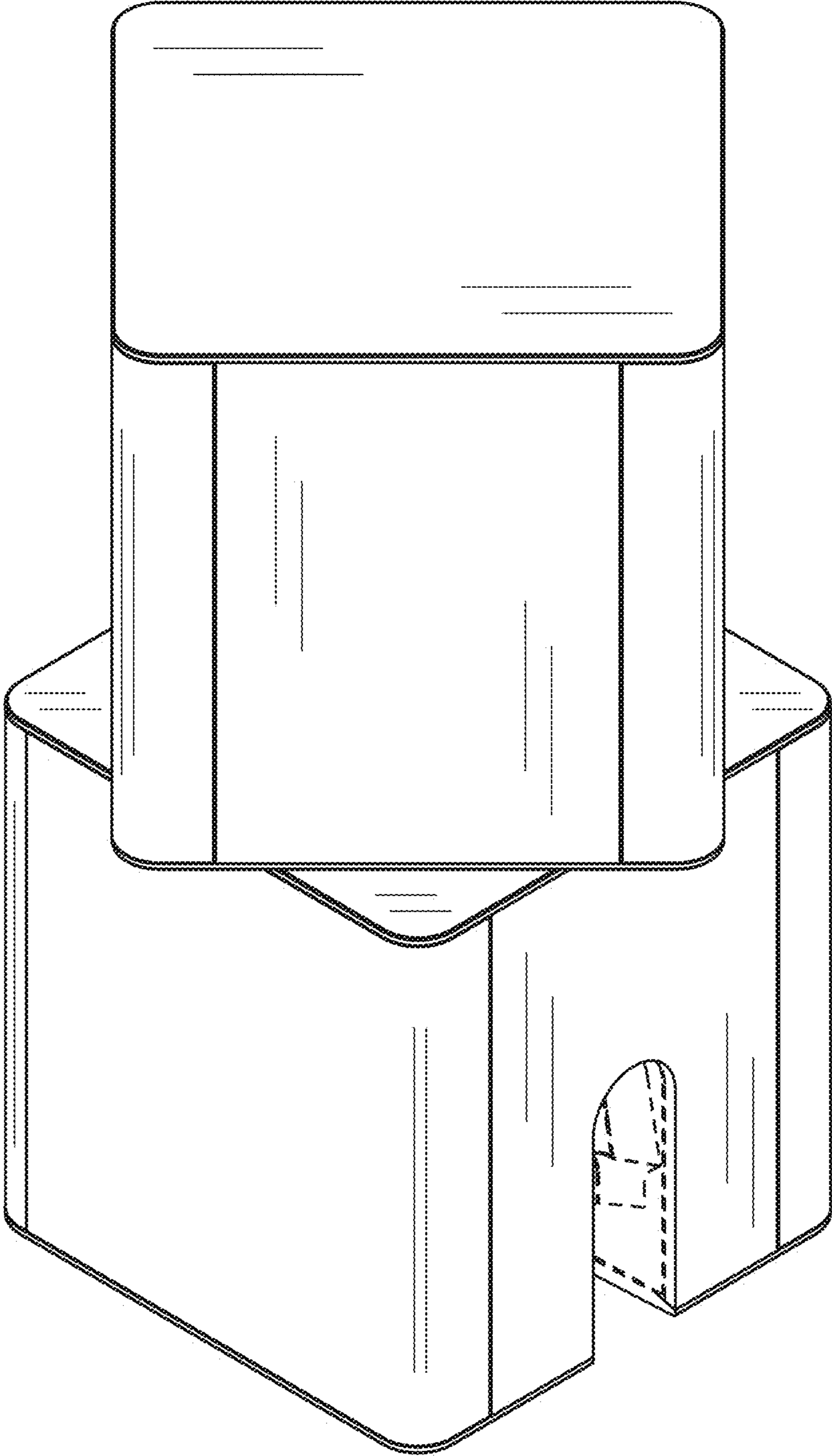


FIG. 2

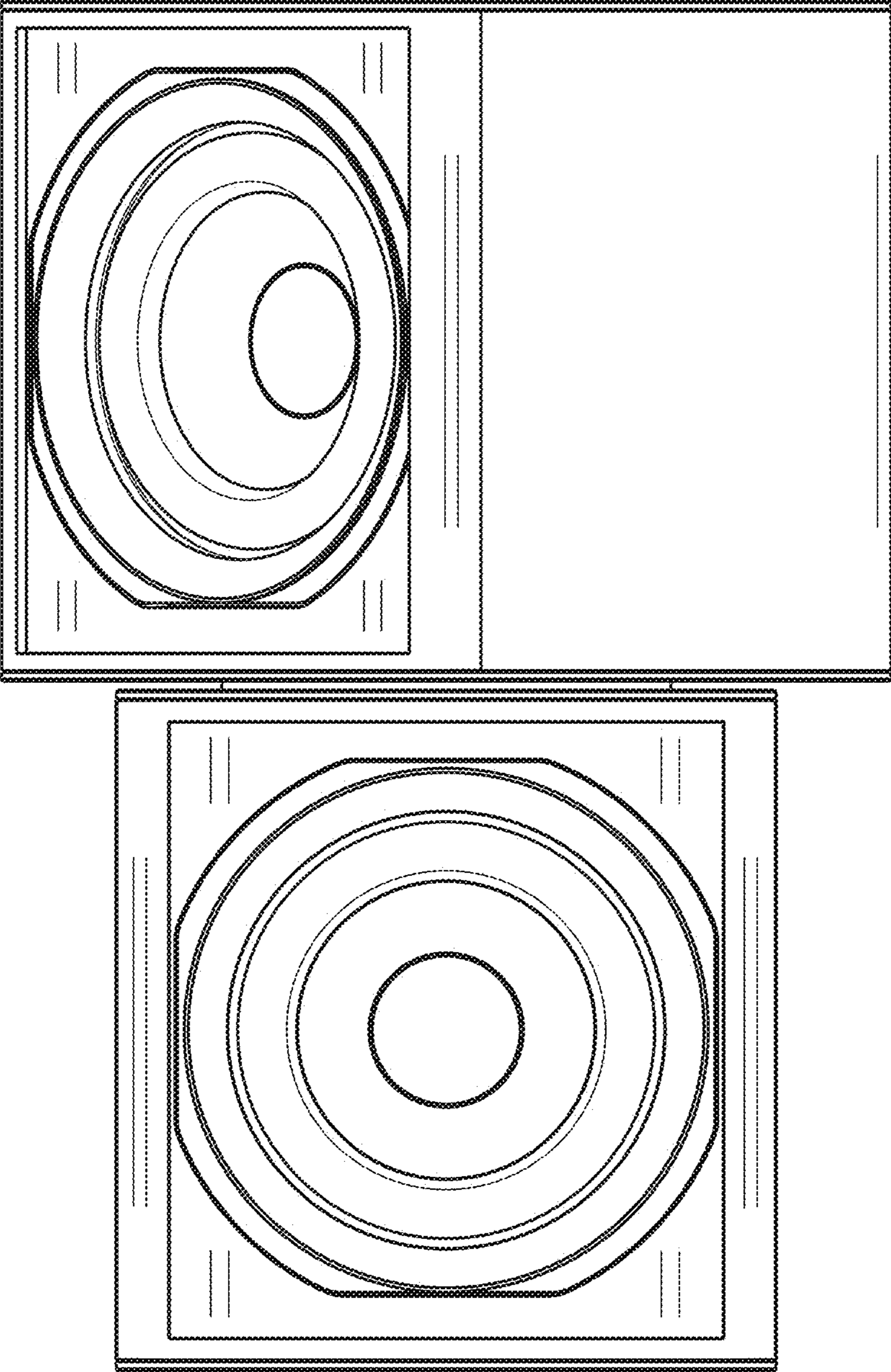


FIG. 3

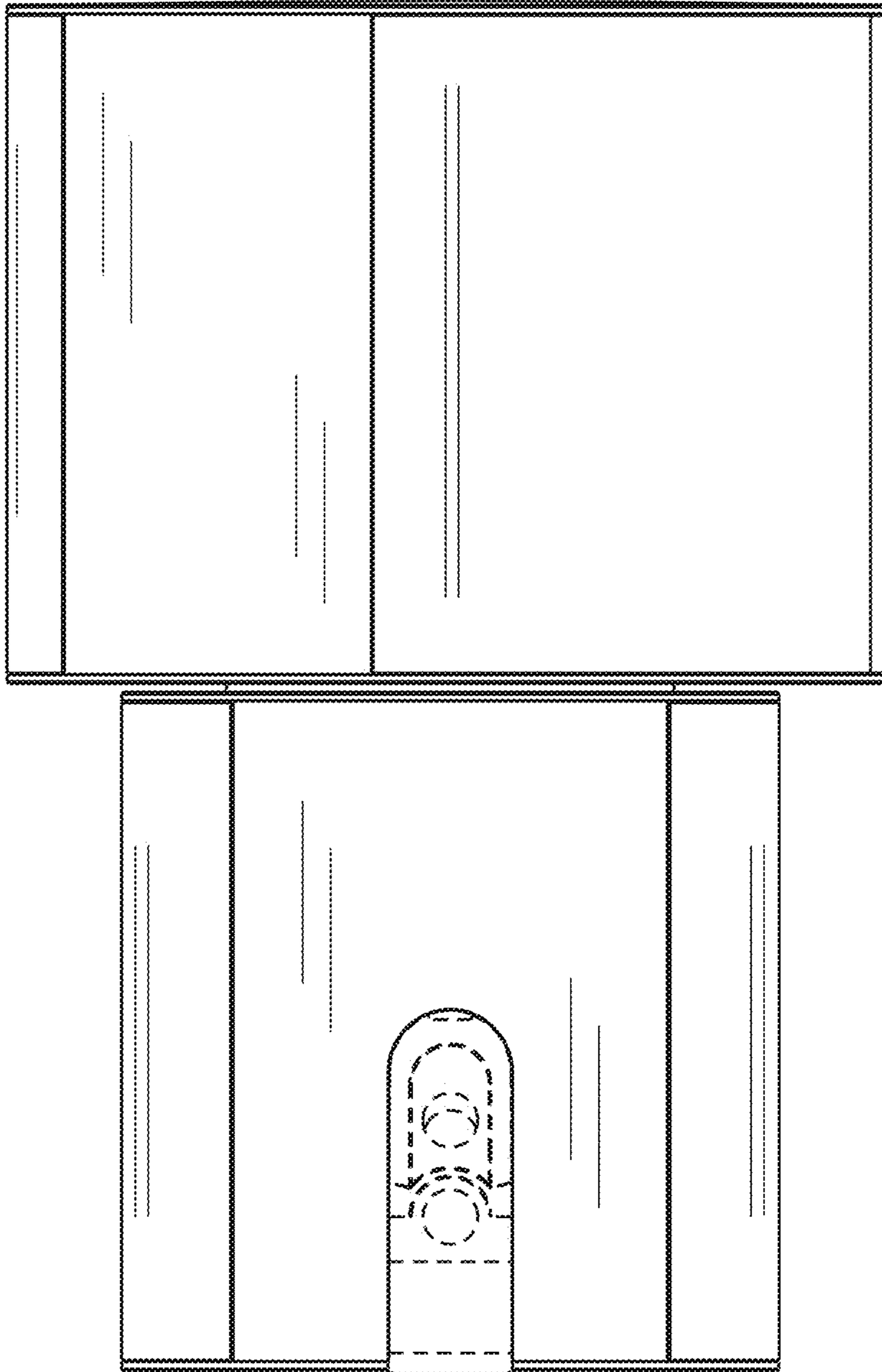


FIG. 4

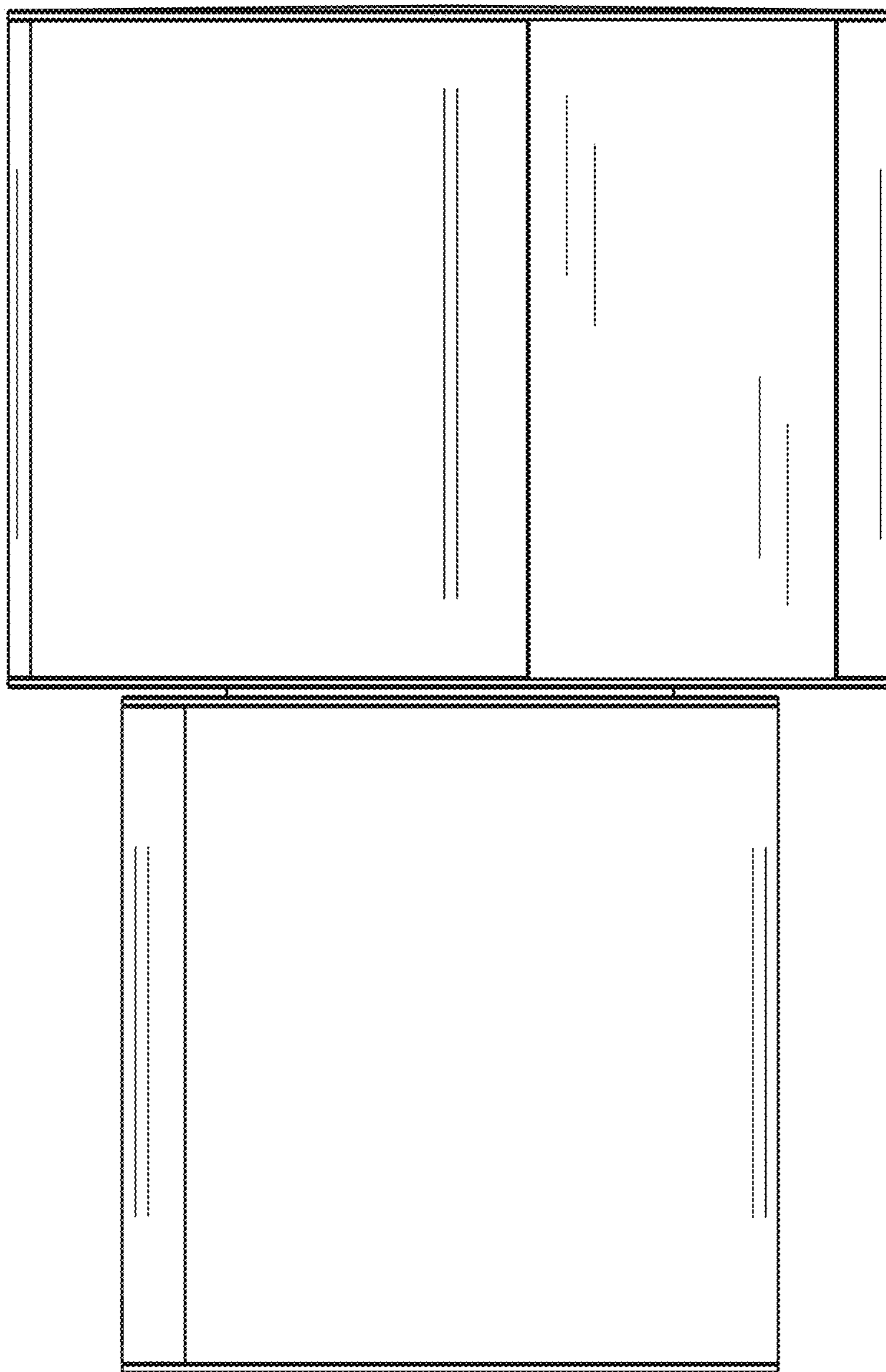


FIG. 5

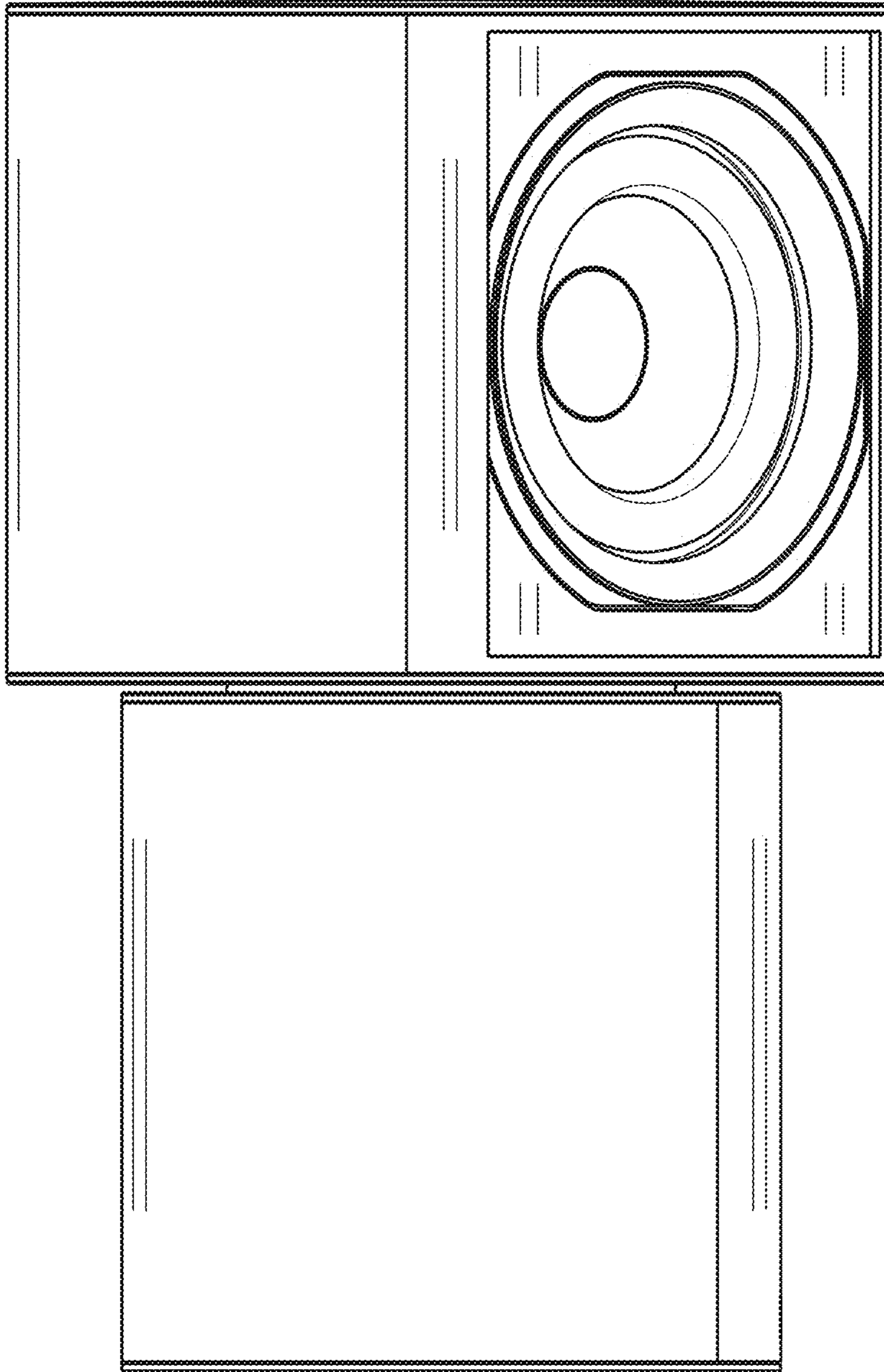


FIG. 6

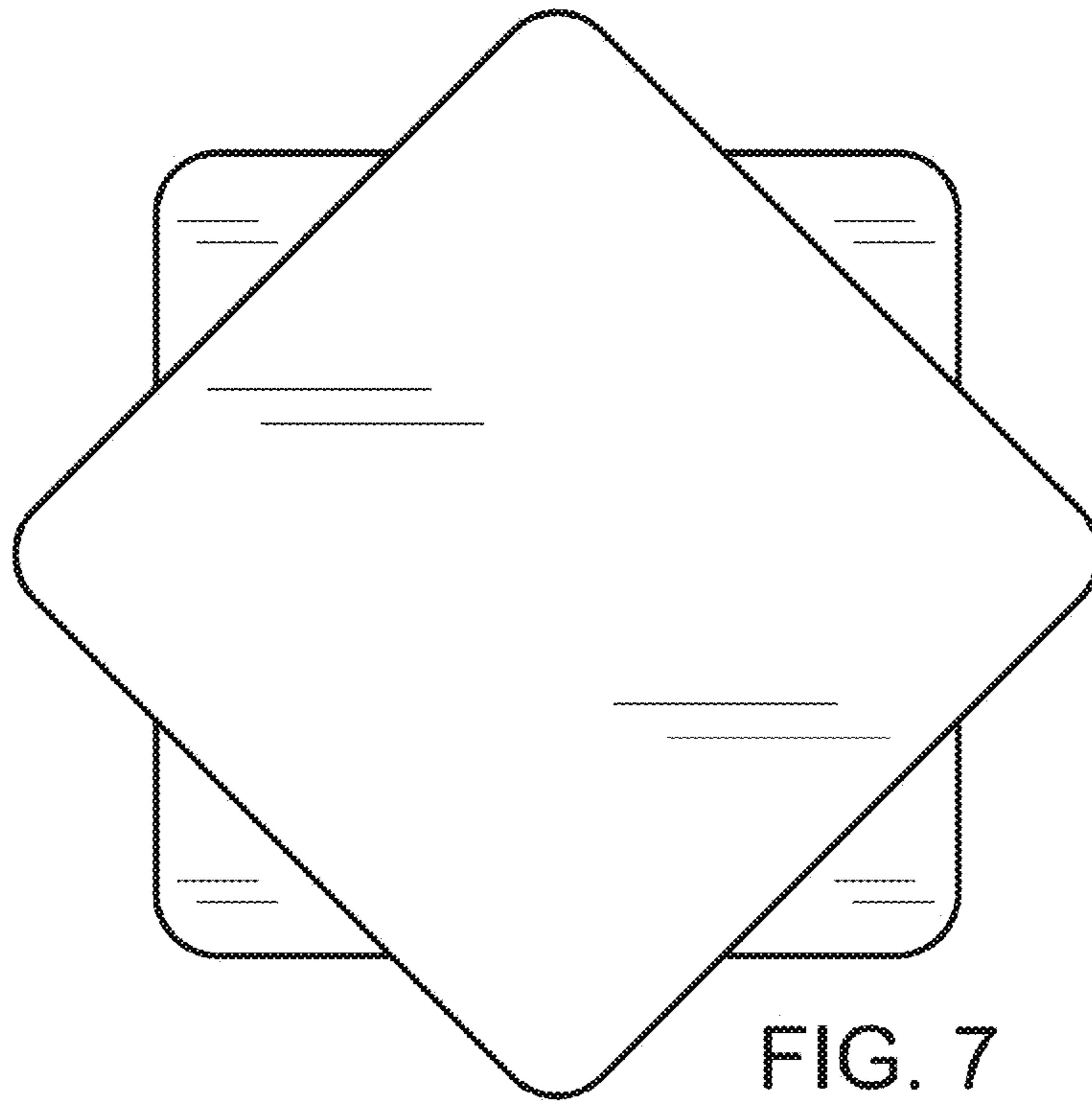


FIG. 7

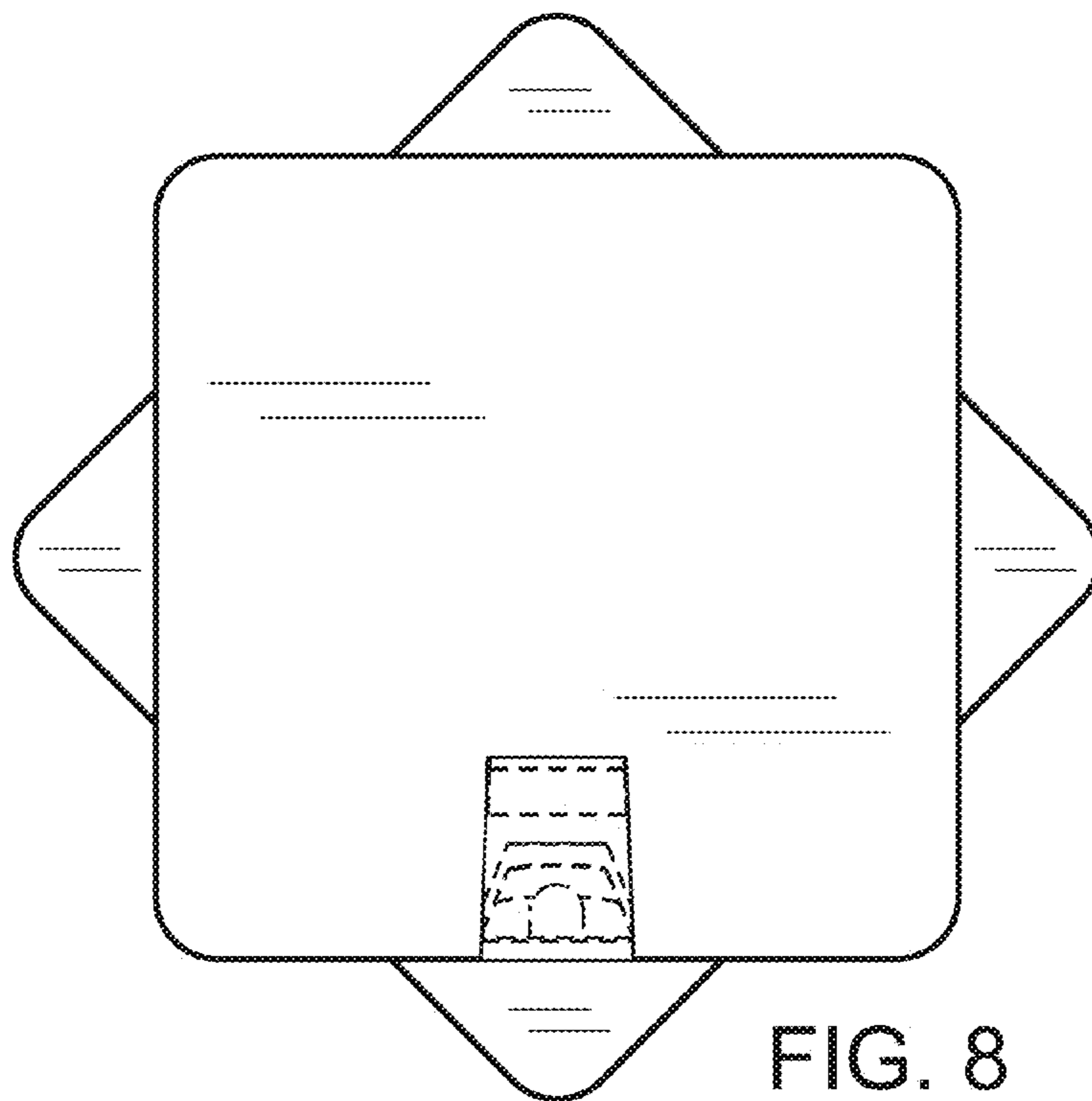


FIG. 8