



US00D727291S

(12) **United States Design Patent**
Hillenmayer et al.

(10) **Patent No.:** **US D727,291 S**
(45) **Date of Patent:** **** Apr. 21, 2015**

(54) **DOCKING STATION**

(71) Applicants: **Stefan Hillenmayer**, Munich (DE);
Patrick Treder, Munich (DE)
(72) Inventors: **Stefan Hillenmayer**, Munich (DE);
Patrick Treder, Munich (DE)
(73) Assignee: **Unify GmbH & Co. KG**, Munich (DE)
(**) Term: **14 Years**

(21) Appl. No.: **29/480,601**
(22) Filed: **Jan. 28, 2014**

(30) **Foreign Application Priority Data**

Aug. 1, 2013 (DE) 40 2013 003 521

(51) **LOC (10) Cl.** **14-01**

(52) **U.S. Cl.**
USPC **D14/209.1**

(58) **Field of Classification Search**
USPC D14/204, 209.1, 210–216, 172, 434;
181/143, 144, 147, 148, 150–153, 157,
181/198, 199; 381/300–306, 332, 333, 336,
381/345, 361–364

See application file for complete search history.

(56) **References Cited**

U.S. PATENT DOCUMENTS

5,633,782	A *	5/1997	Goodman et al.	361/679.41
6,744,627	B2 *	6/2004	Won et al.	361/679.57
6,912,125	B2 *	6/2005	Weng	361/679.41
D536,331	S *	2/2007	Hussaini et al.	D14/209.1
D601,546	S *	10/2009	Lee et al.	D14/209.1
8,180,095	B2 *	5/2012	Zhang	381/387
D673,567	S *	1/2013	Yang	D14/434
D712,369	S *	9/2014	Yoshida	D14/142
D712,376	S *	9/2014	Lui et al.	D14/209.1

* cited by examiner

Primary Examiner — Prabhakar Deshmukh

(74) *Attorney, Agent, or Firm* — Buchanan Ingersoll & Rooney PC

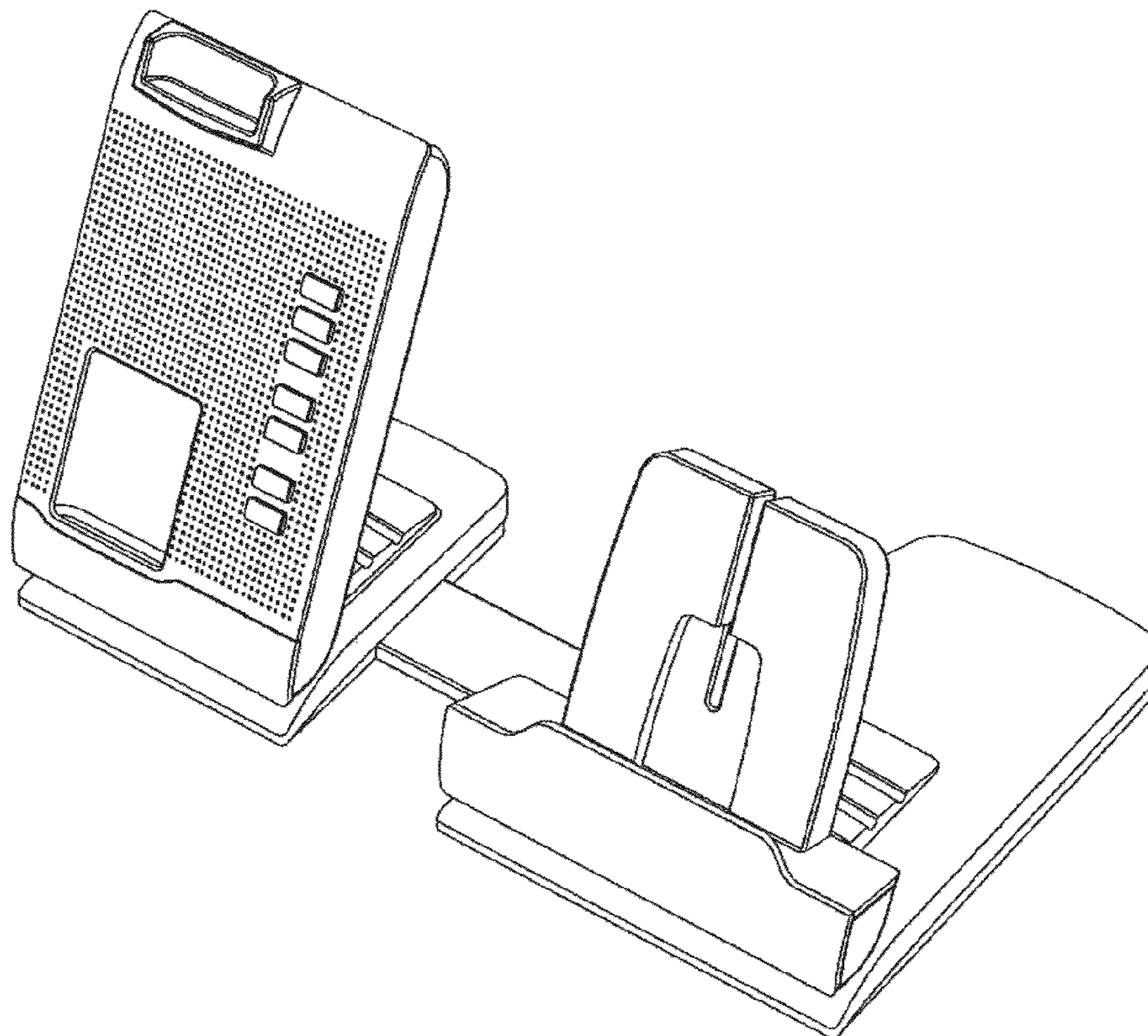
(57) **CLAIM**

The ornamental design for a docking station, as shown and described.

DESCRIPTION

FIG. 1 is a perspective view of a docking station showing our new design;
FIG. 2 is a top view thereof;
FIG. 3 is a bottom view thereof;
FIG. 4 is a front view thereof;
FIG. 5 is a rear view thereof;
FIG. 6 is a right side view thereof; and,
FIG. 7 is a left side view thereof.

1 Claim, 7 Drawing Sheets



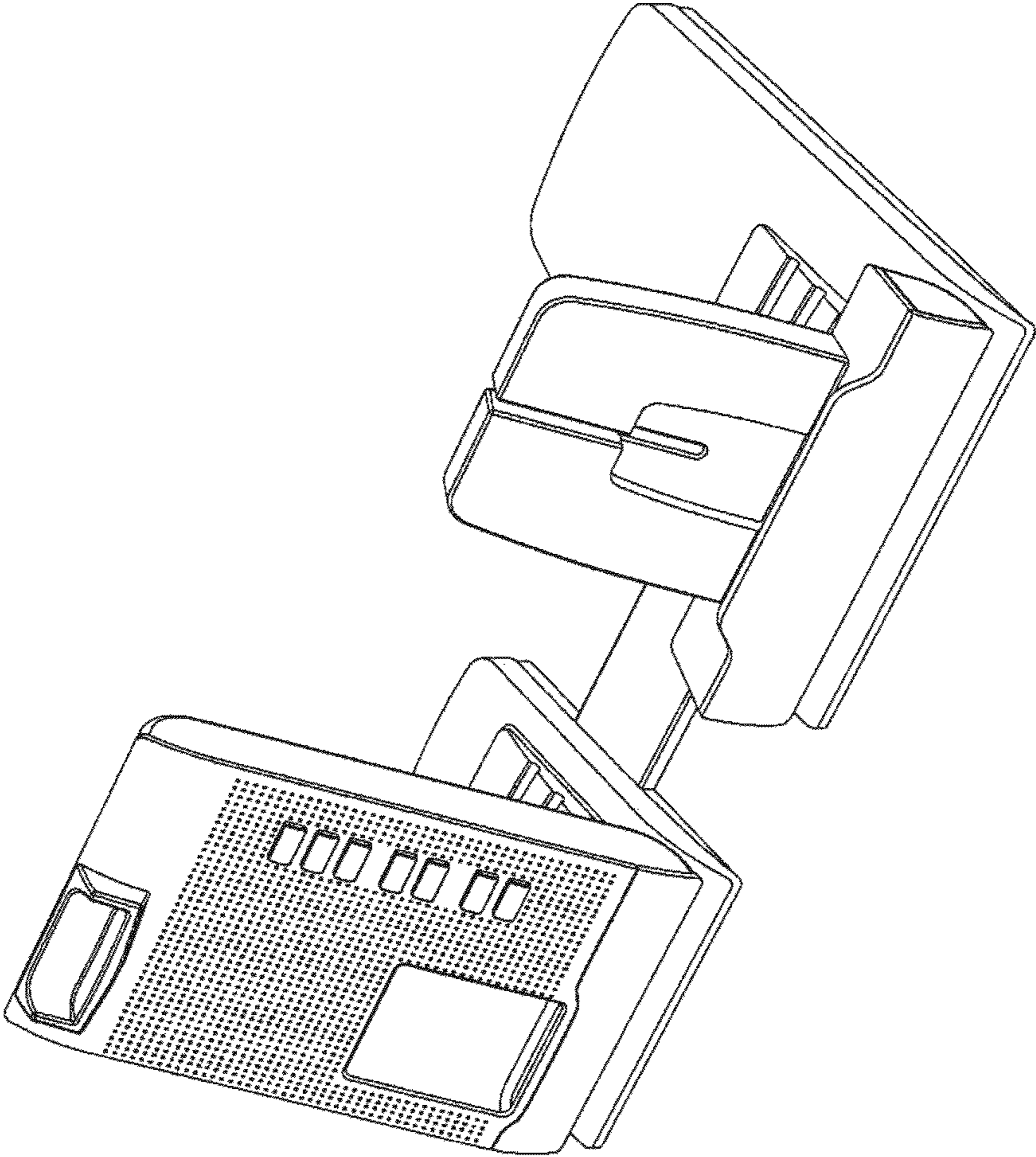


FIG. 1

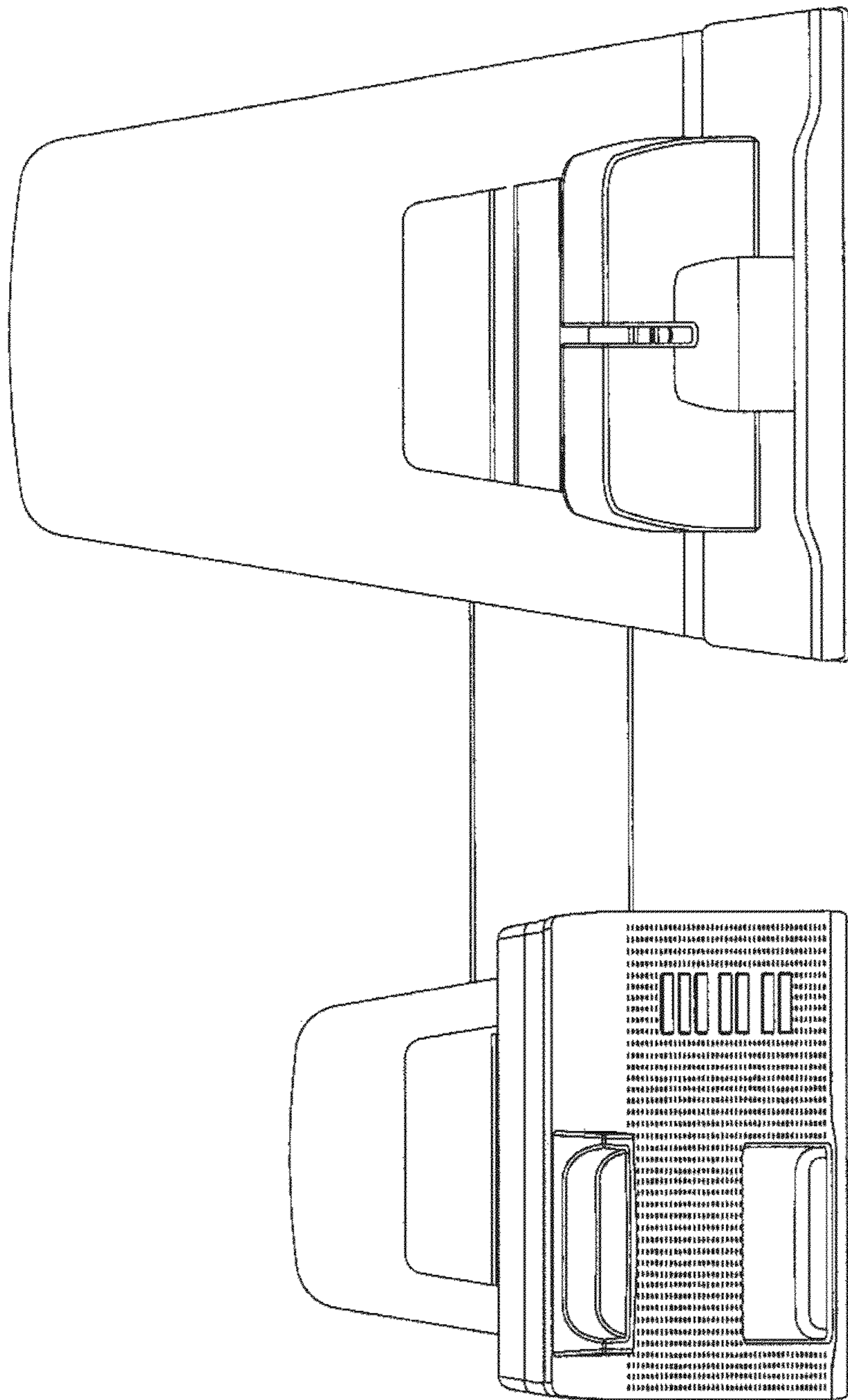


FIG. 2

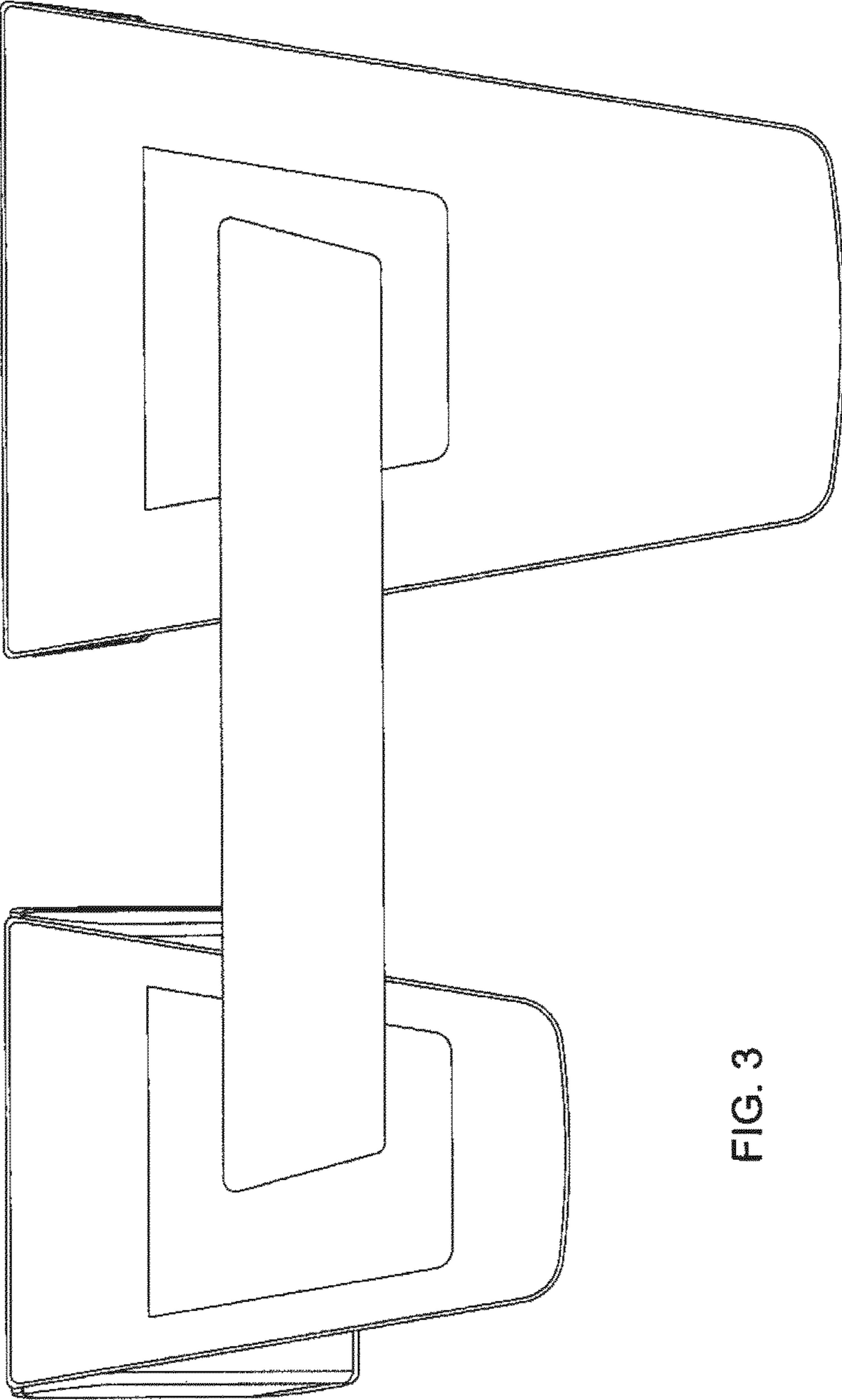


FIG. 3

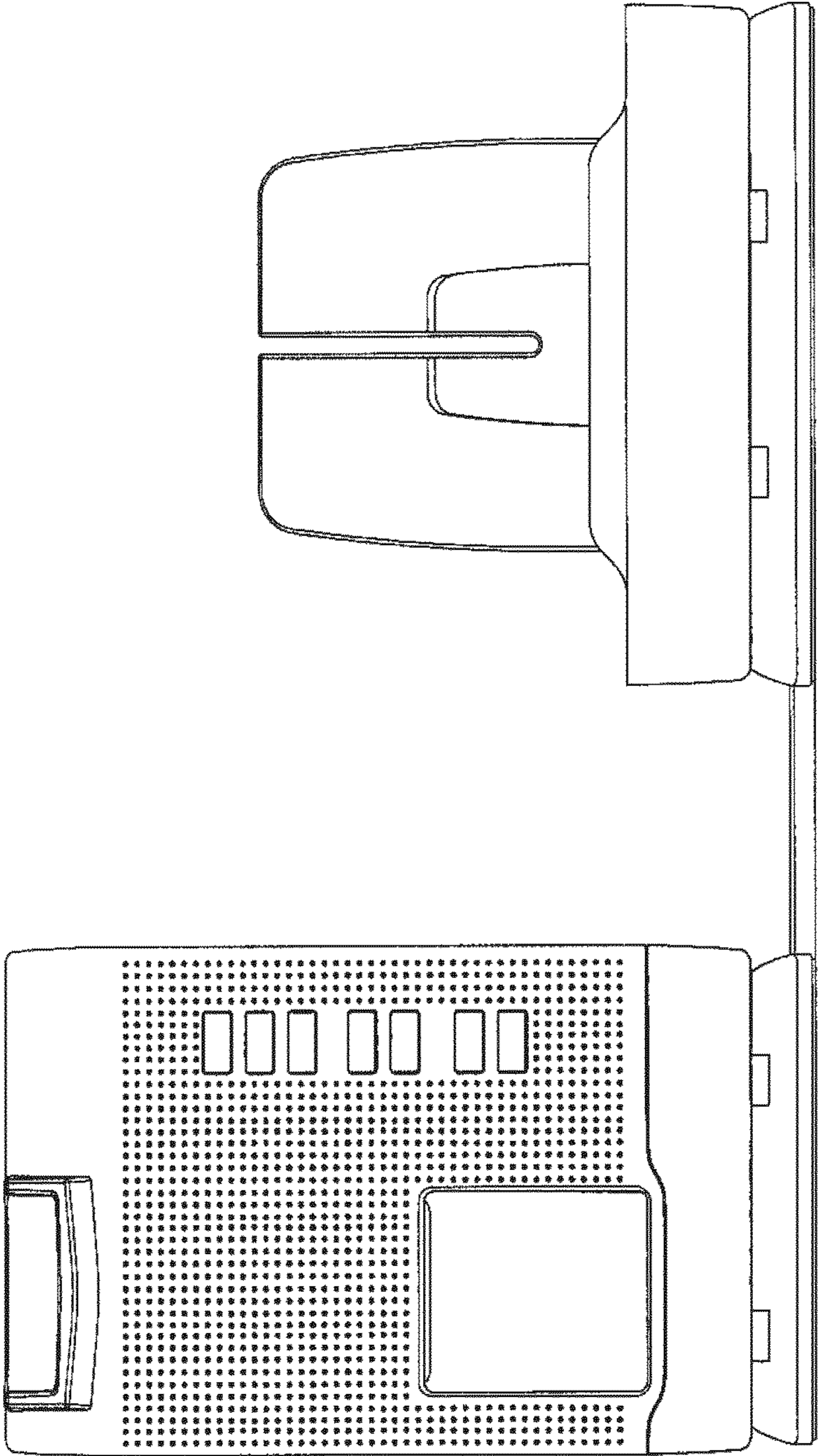


FIG. 4

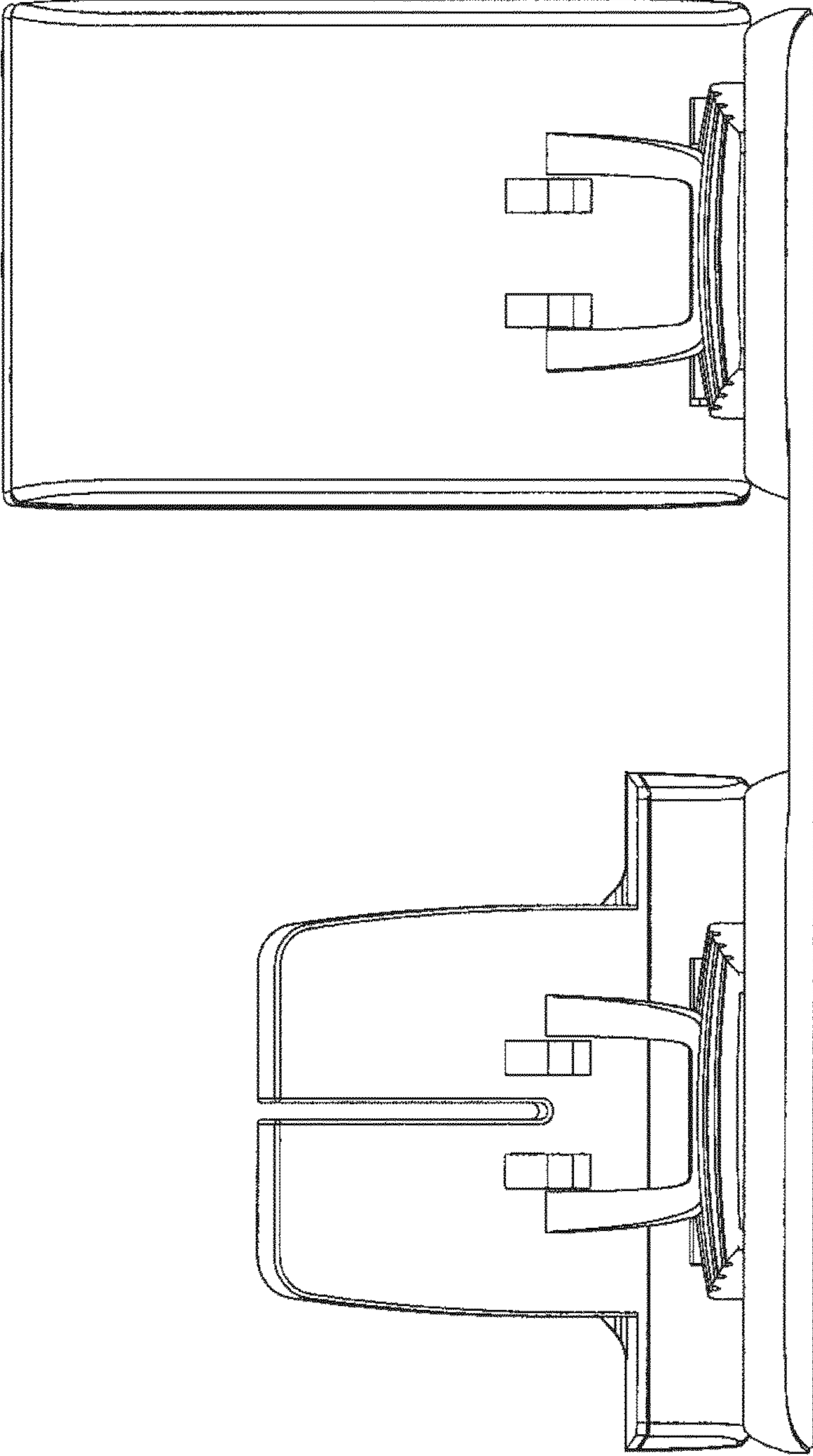


FIG. 5

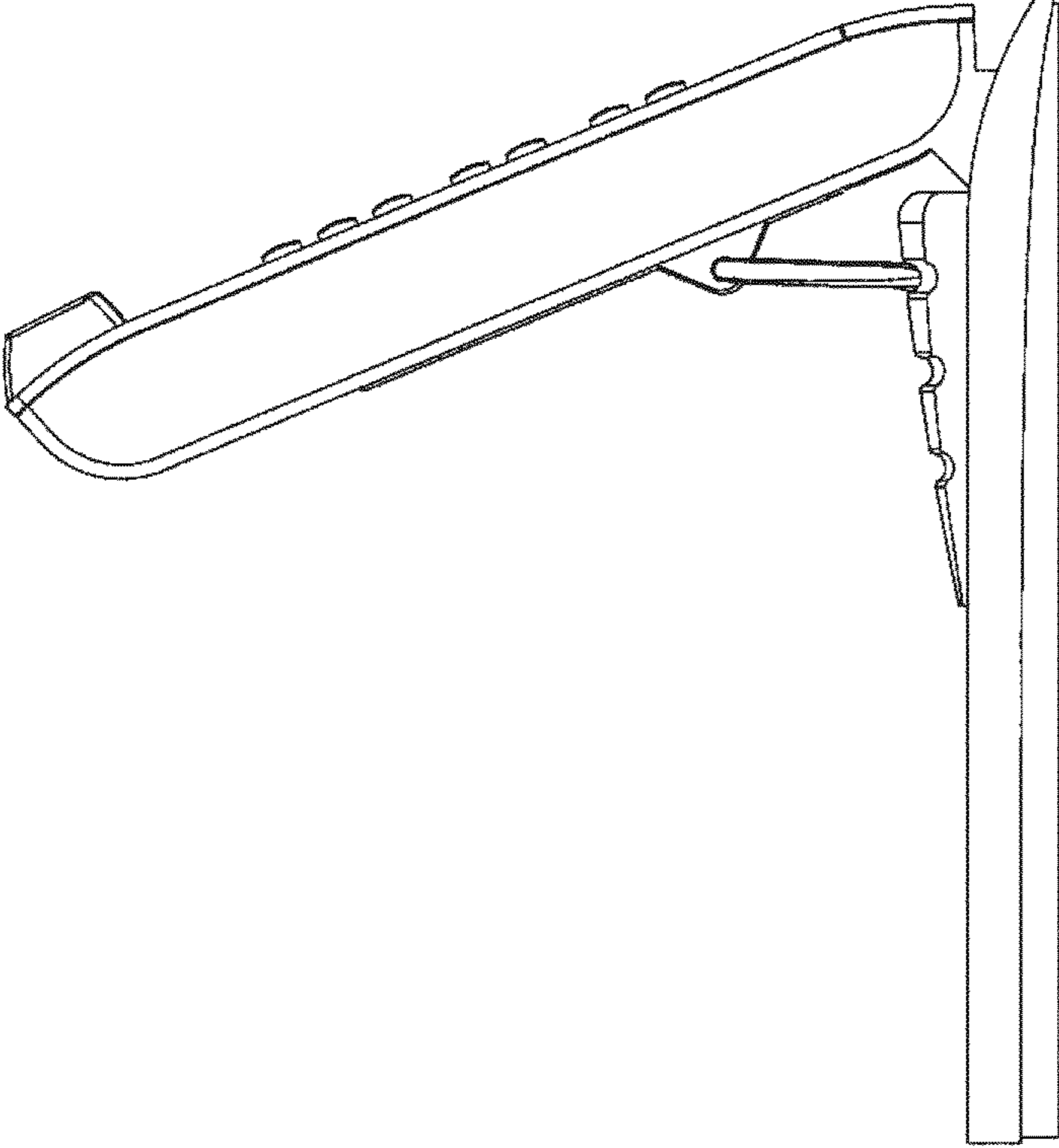


FIG. 6

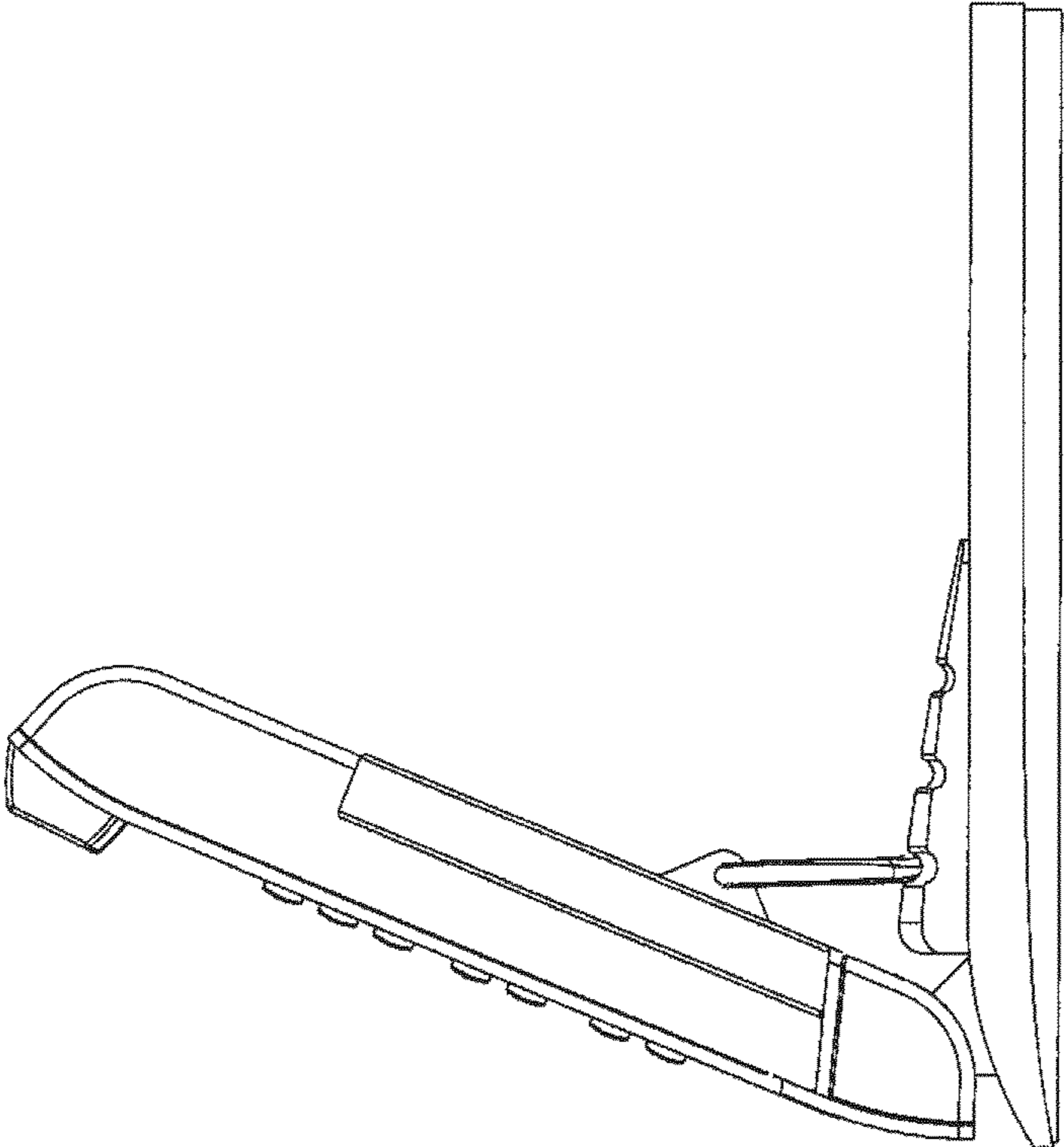


FIG. 7