



US00D727289S

(12) **United States Design Patent**
Czaniecki

(10) **Patent No.:** **US D727,289 S**
(45) **Date of Patent:** **** Apr. 21, 2015**

(54) **HEADPHONE**

(71) Applicant: **AKG Acoustics GmbH**, Vienna (AT)

(72) Inventor: **Rafal Czaniecki**, Shenzhen (CN)

(73) Assignee: **AKG Acoustics GmbH**, Vienna (AT)

(**) Term: **14 Years**

(21) Appl. No.: **29/492,679**

(22) Filed: **Jun. 2, 2014**

(51) **LOC (10) Cl.** **14-01**

(52) **U.S. Cl.**
USPC **D14/205**

(58) **Field of Classification Search**
CPC H04R 1/1066
USPC D14/205; D29/112; 2/209; 379/430,
379/431; 381/380, 381, 374; 455/90.3,
455/575.1; 181/129, 130, 135
See application file for complete search history.

(56) **References Cited**

U.S. PATENT DOCUMENTS

678,170	A *	7/1901	Gardner	128/866
1,398,958	A *	12/1921	Basch	2/209
D68,060	S *	8/1925	Pacent	D14/249
4,634,816	A *	1/1987	O'Malley et al.	379/430
D318,669	S *	7/1991	Nakayama	D14/205
D328,461	S *	8/1992	Daido et al.	D14/205
5,369,857	A *	12/1994	Sacherman et al.	29/594
5,459,290	A *	10/1995	Yamagishi	181/129
D373,360	S *	9/1996	Kanno	D14/205
D375,312	S *	11/1996	Kanno	D14/205
D377,021	S *	12/1996	Isono	D14/205
D505,411	S *	5/2005	Sakai	D14/192
7,172,052	B2 *	2/2007	Lenhard-Backhaus	181/129
D573,581	S *	7/2008	Gondo et al.	D14/205
D582,890	S *	12/2008	Koza et al.	D14/205
D594,847	S *	6/2009	Suzuki	D14/205
7,580,539	B2 *	8/2009	Tachikawa	381/374
D635,124	S *	3/2011	Morimoto	D14/205

8,098,872	B2 *	1/2012	Chang	381/371
D656,125	S *	3/2012	Komiyama et al.	D14/205
D659,116	S *	5/2012	Iseki	D14/205
D664,113	S *	7/2012	Katsumata et al.	D14/205
D666,990	S *	9/2012	Komiyama et al.	D14/205
D677,243	S *	3/2013	Kitayama et al.	D14/205
D683,329	S *	5/2013	Hagelin	D14/205
D686,190	S *	7/2013	Karacal et al.	D14/205
D688,649	S *	8/2013	Combs et al.	D14/205
D691,109	S *	10/2013	Hardi et al.	D14/205
D696,644	S *	12/2013	Sejpkka	D14/205
D704,161	S *	5/2014	Morimoto et al.	D14/205

* cited by examiner

Primary Examiner — Paula Greene

(74) *Attorney, Agent, or Firm* — Plumsea Law Group, LLC

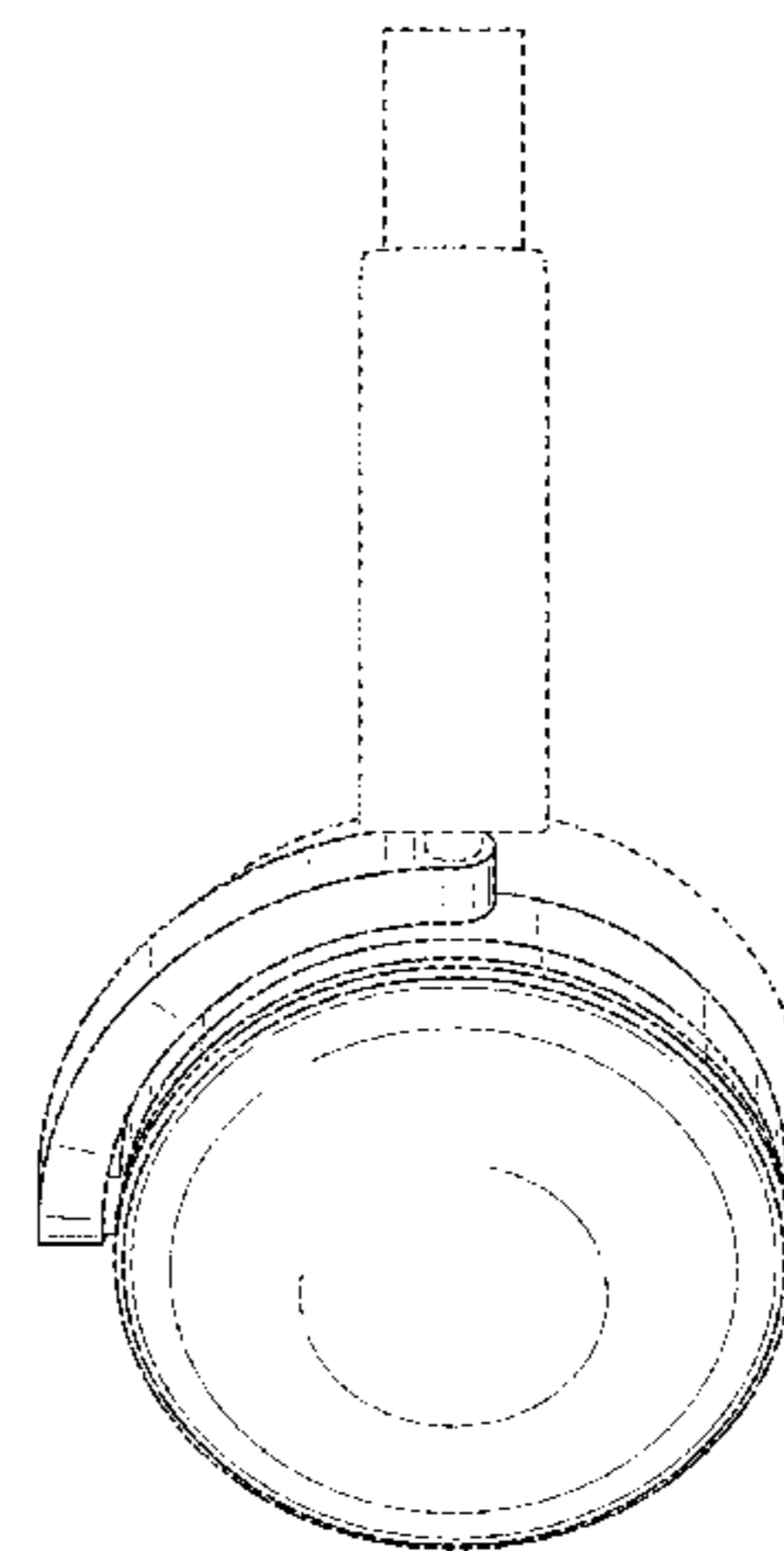
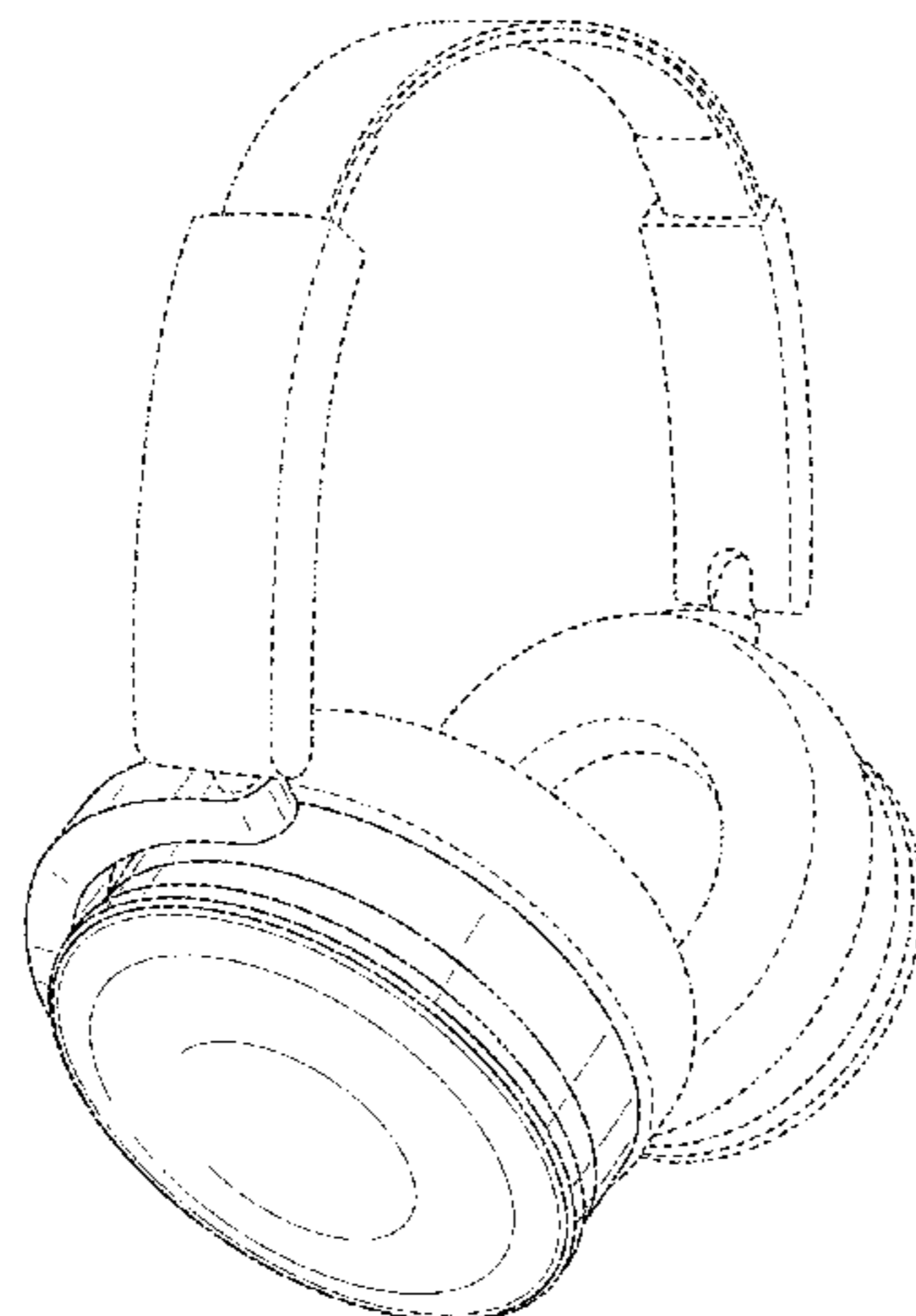
(57) **CLAIM**

The ornamental design for a headphone, as shown and described.

DESCRIPTION

FIG. 1 is a perspective view of a headphone showing my new design;
 FIG. 2 is another perspective view thereof shown from an interior viewpoint;
 FIG. 3 is a front elevational view thereof;
 FIG. 4 is a rear elevational view thereof;
 FIG. 5 is a side elevational view thereof;
 FIG. 6 is a bottom plan view thereof.
 FIG. 7 is a perspective view of another embodiment of a headphone showing my new design;
 FIG. 8 is another perspective view thereof shown from an interior viewpoint of FIG. 7;
 FIG. 9 is front elevational view of the headphone of FIG. 7;
 FIG. 10 is a rear elevational view of the headphone of FIG. 7;
 FIG. 11 is a side elevational view of the headphone of FIG. 7;
 and,
 FIG. 12 is a bottom plan view of the headphone of FIG. 7.
 The broken line showings form no part of the claimed design.

1 Claim, 12 Drawing Sheets



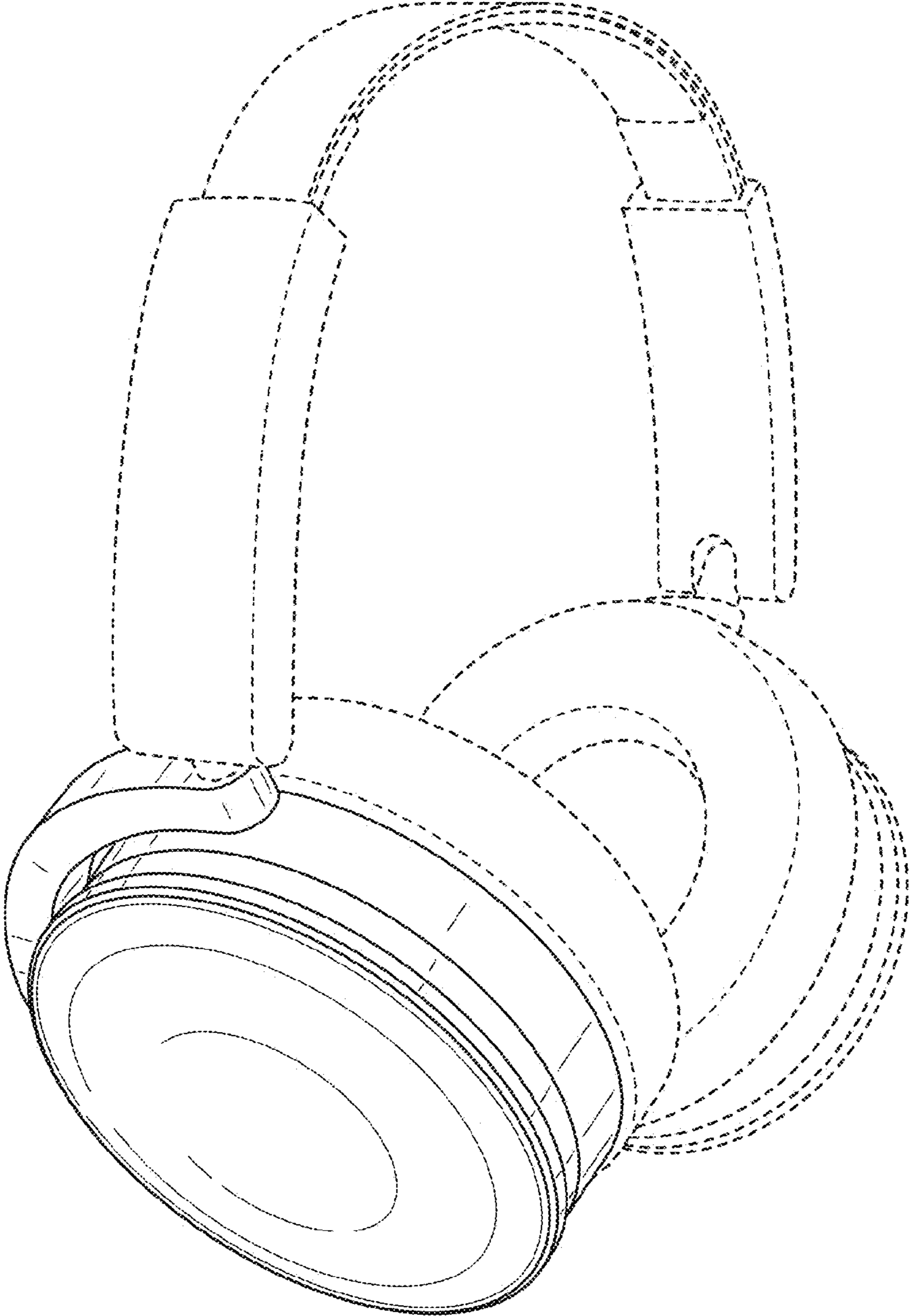


FIG. 1

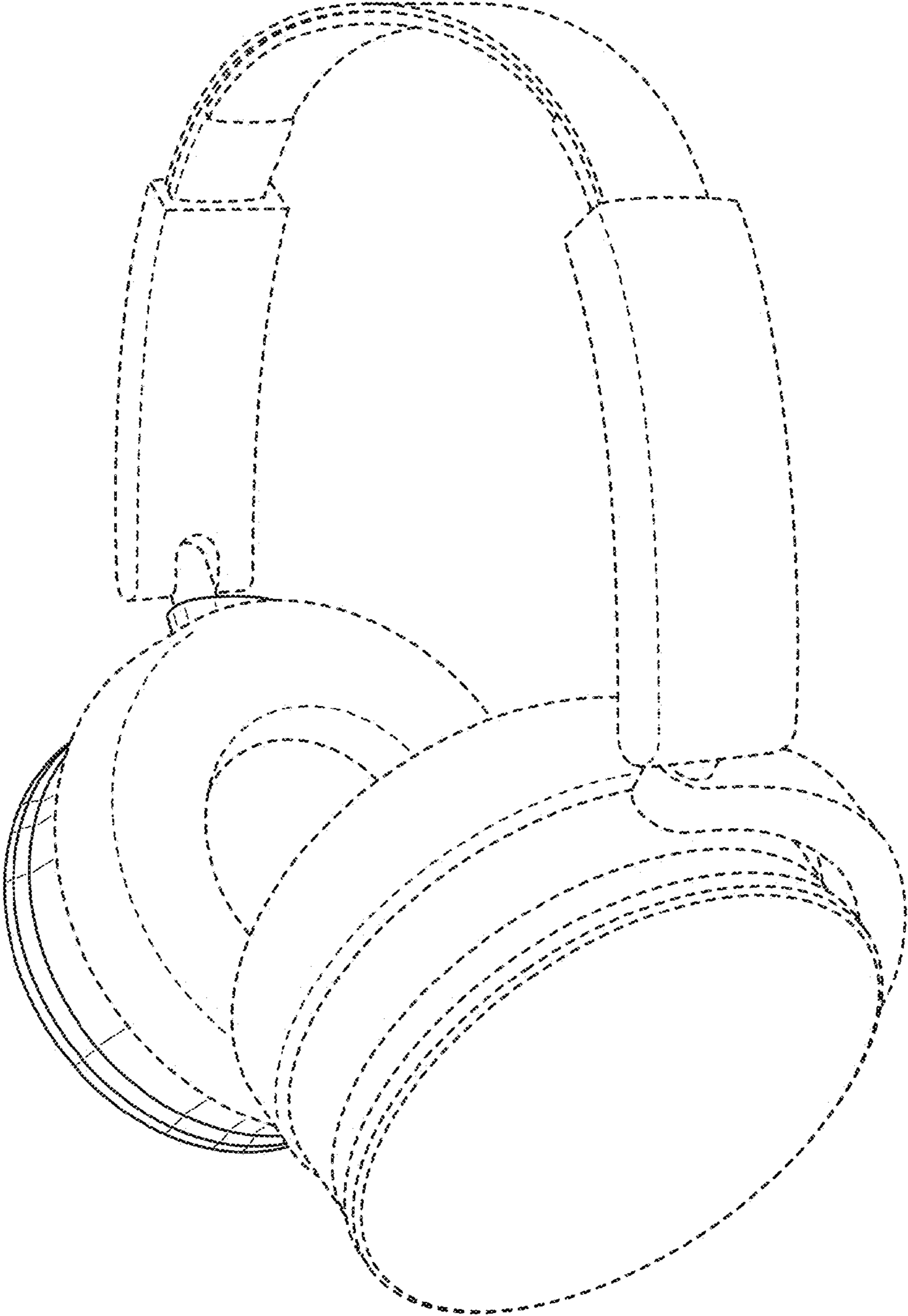


FIG. 2

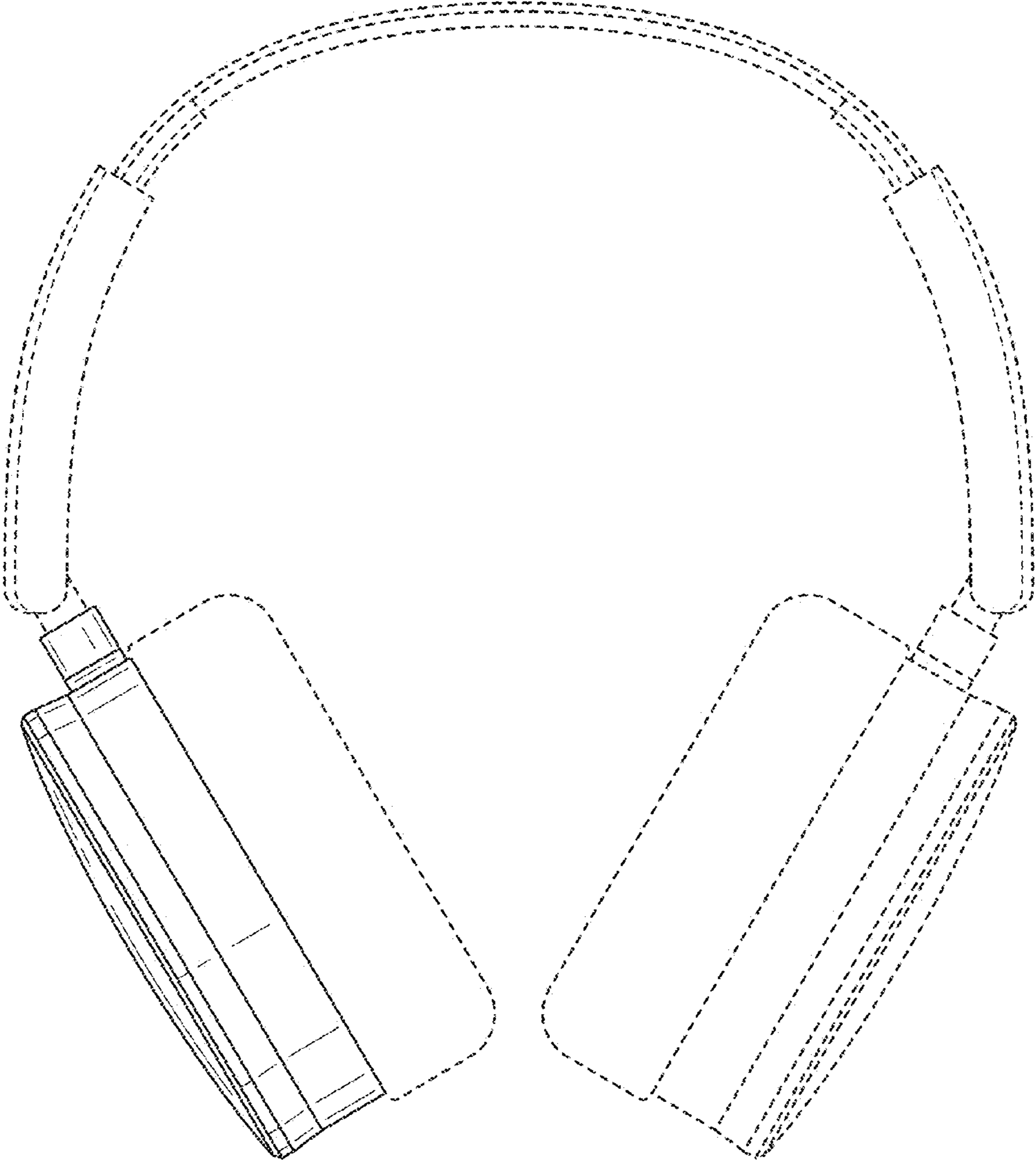


FIG. 3

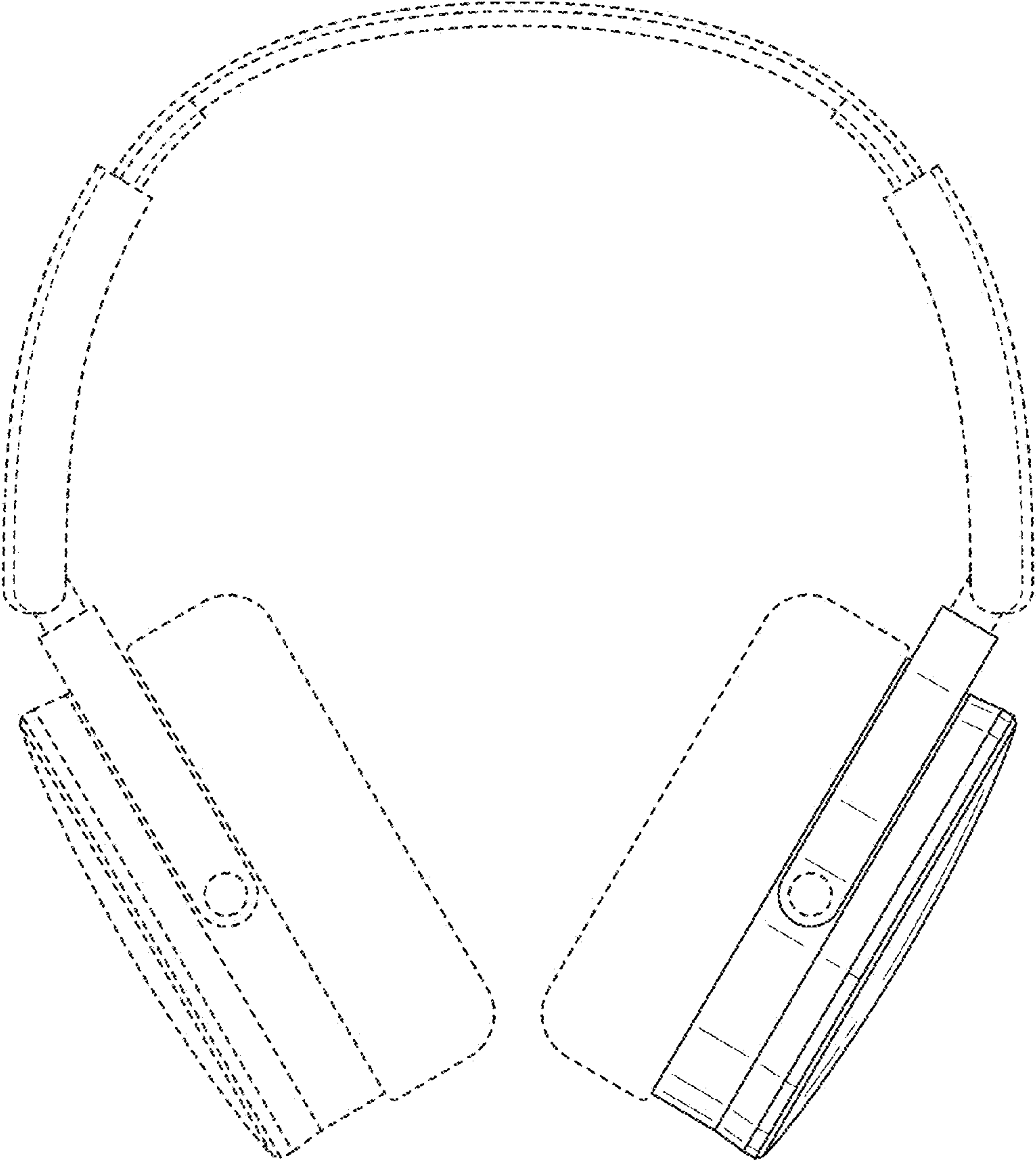


FIG. 4

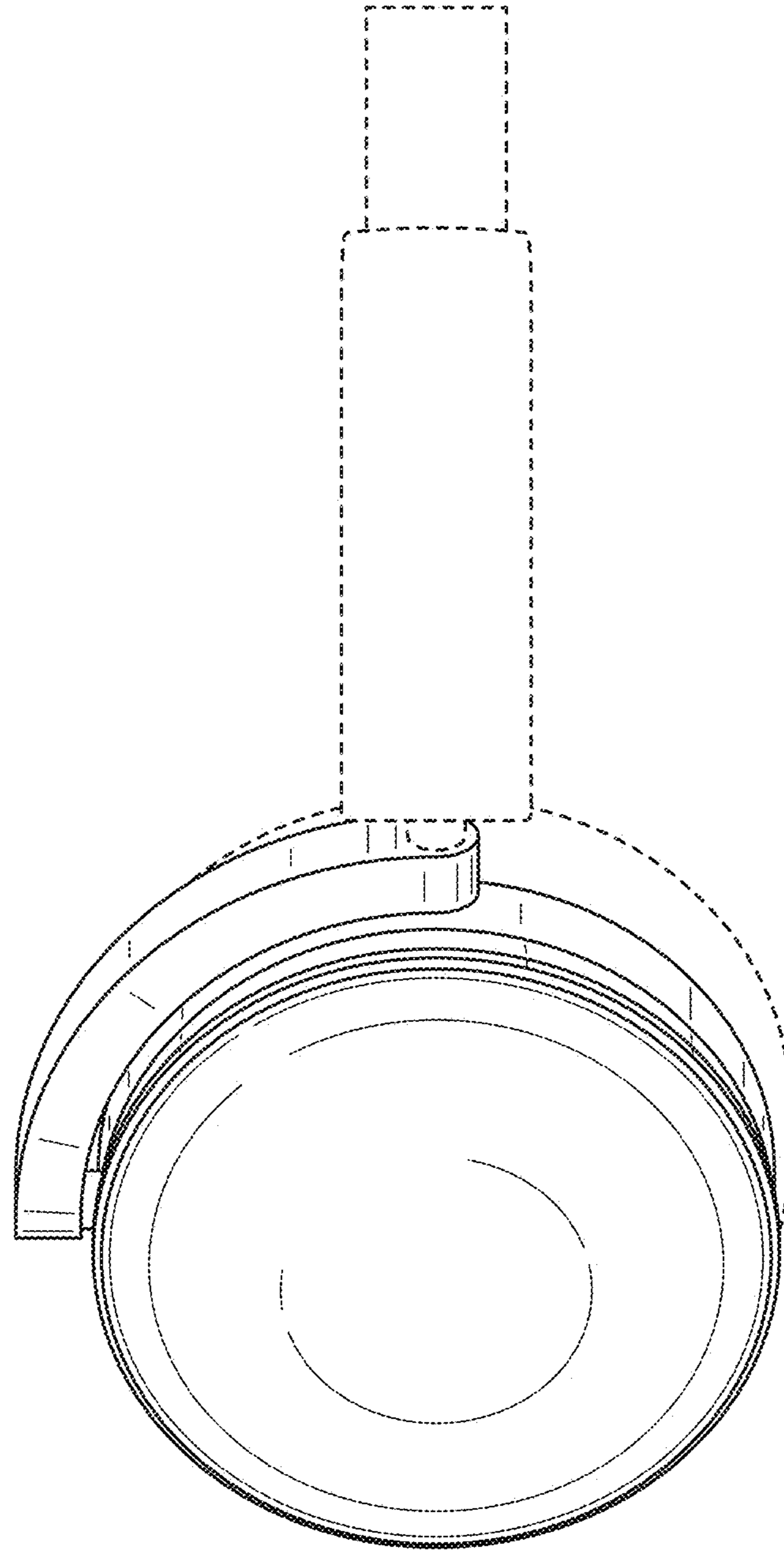


FIG. 5

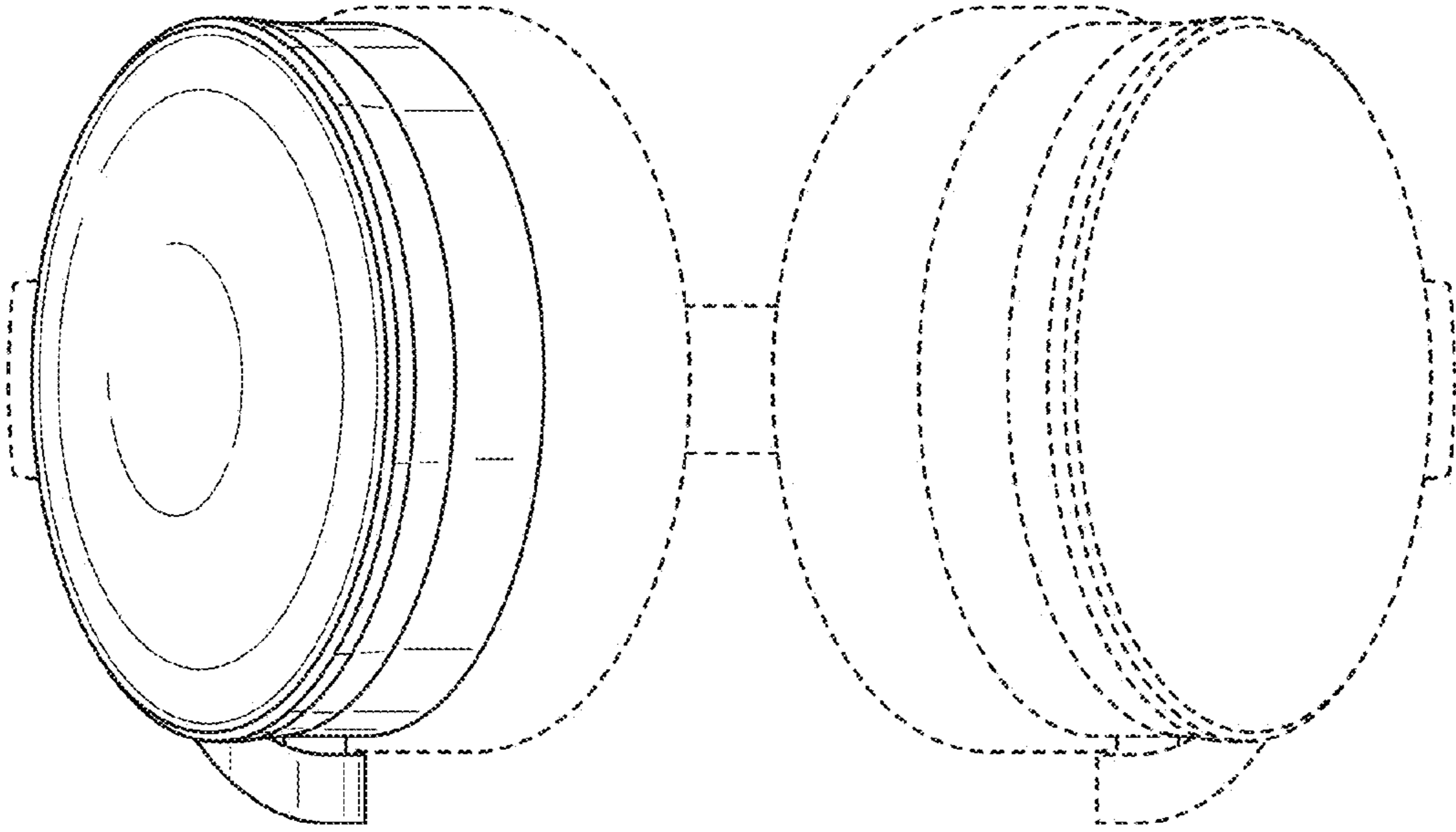


FIG. 6

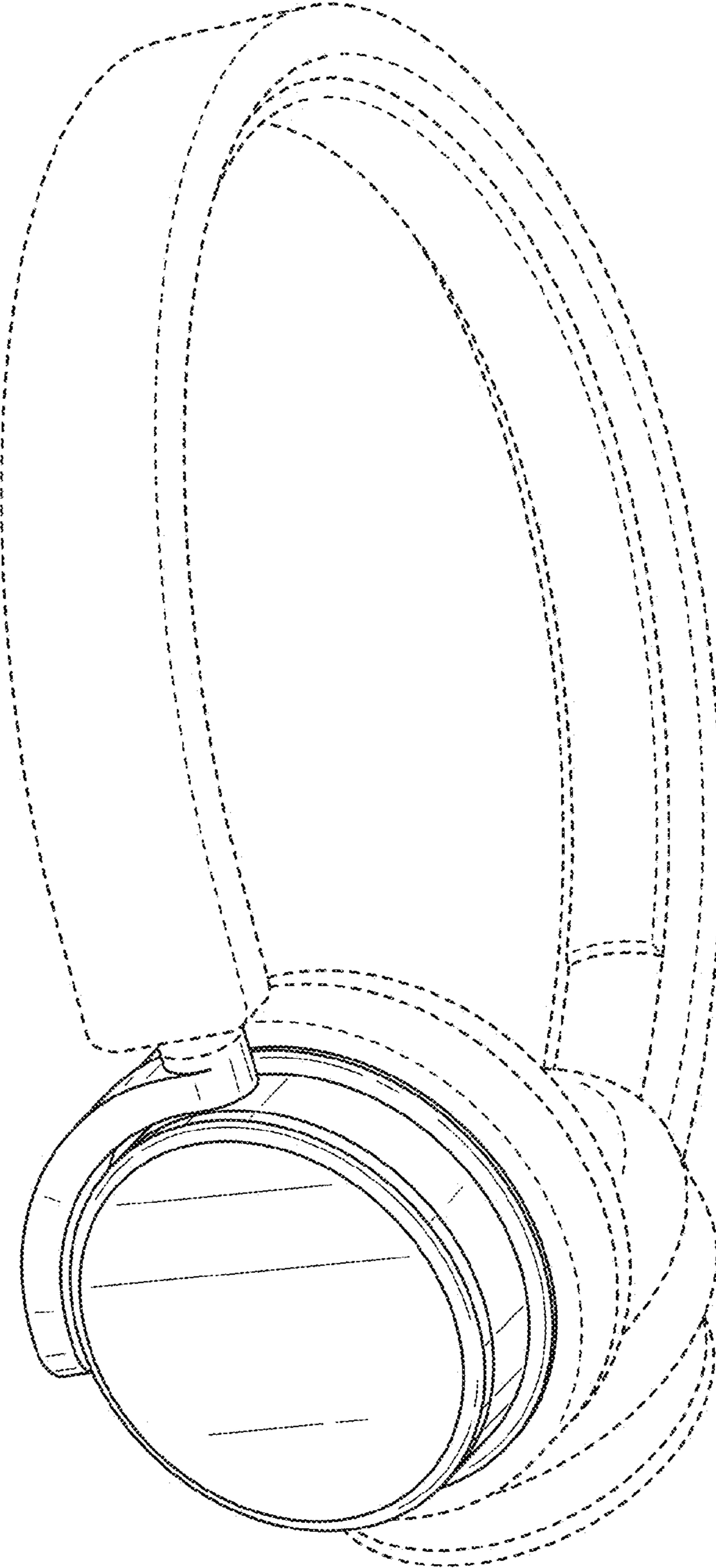


FIG. 7

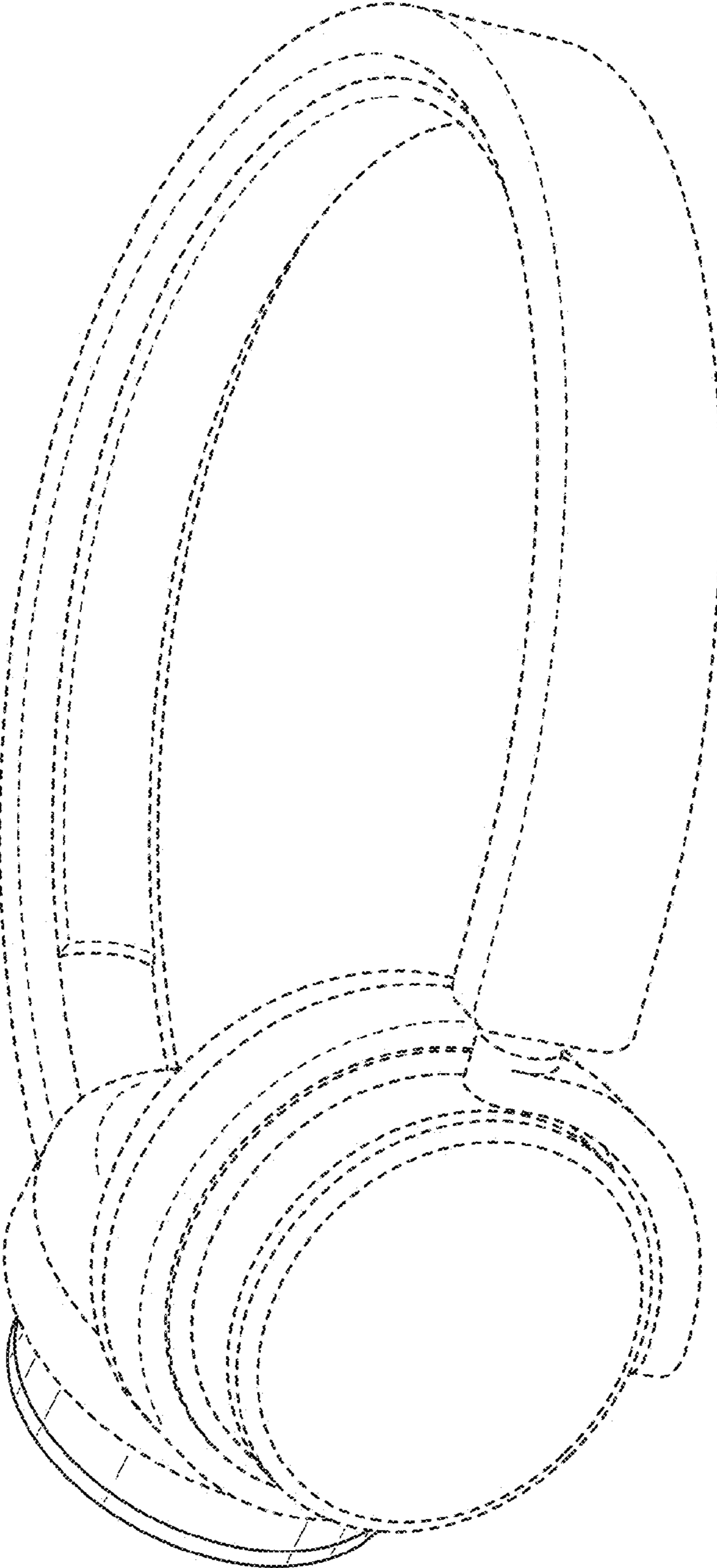


FIG. 8

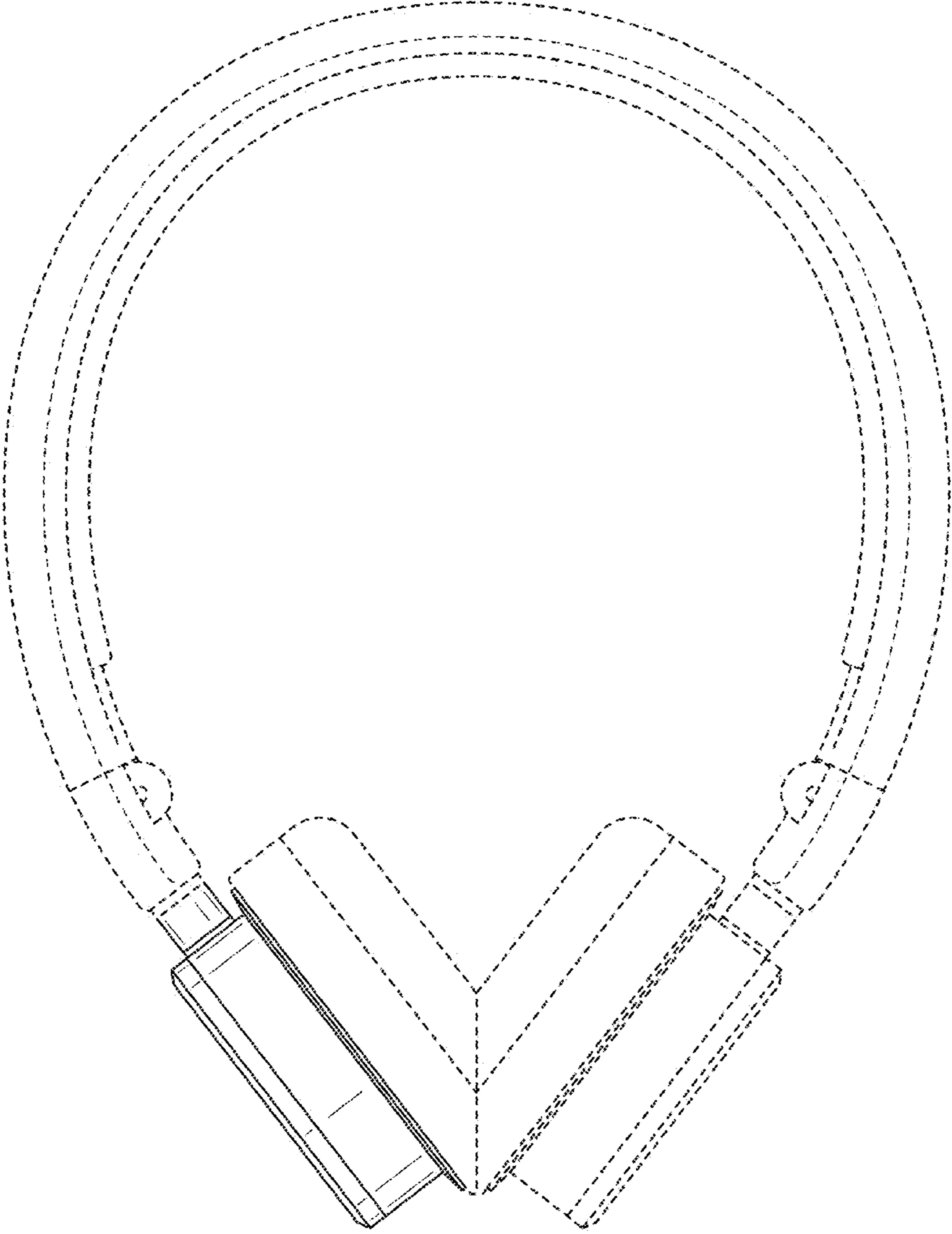


FIG. 9

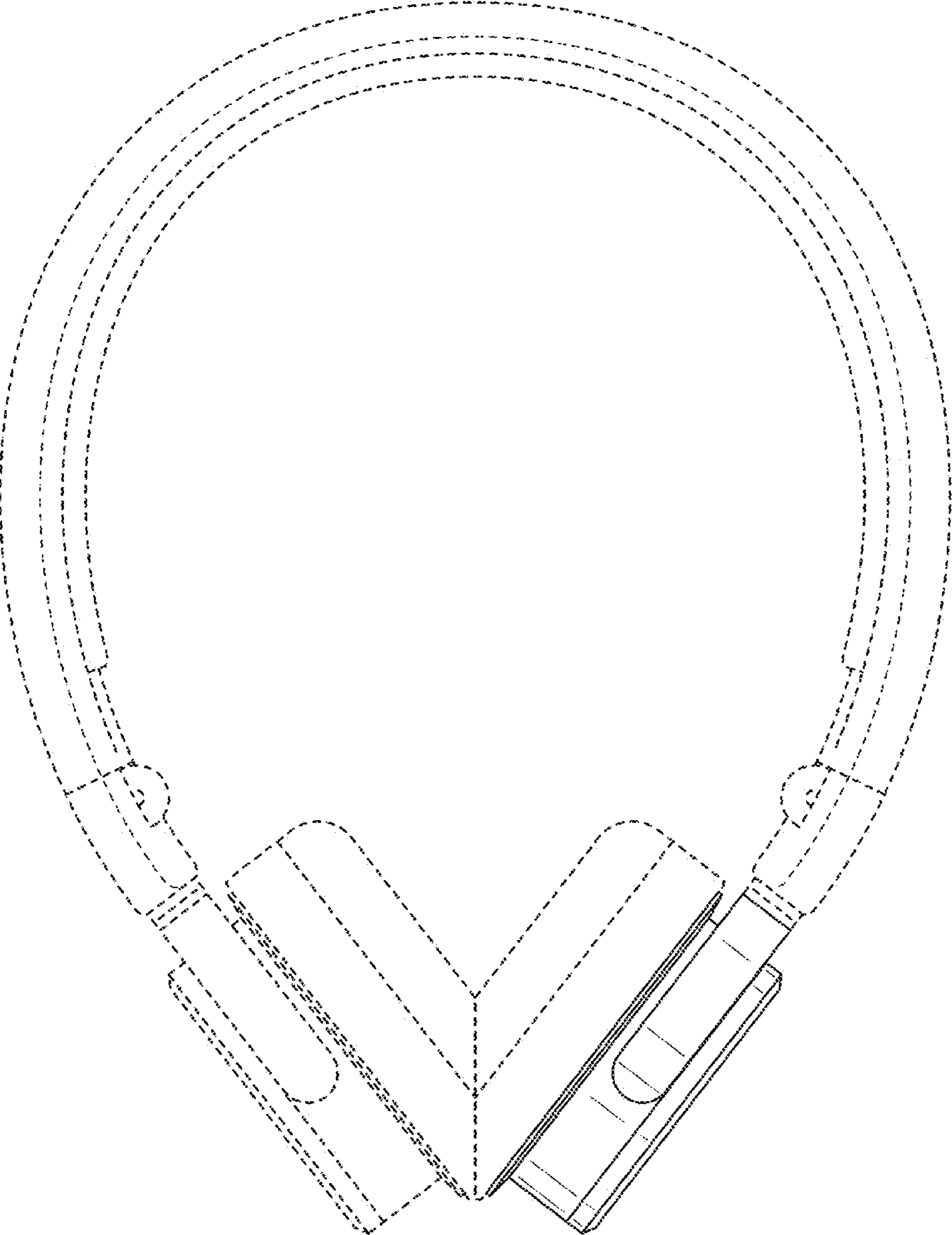


FIG. 10

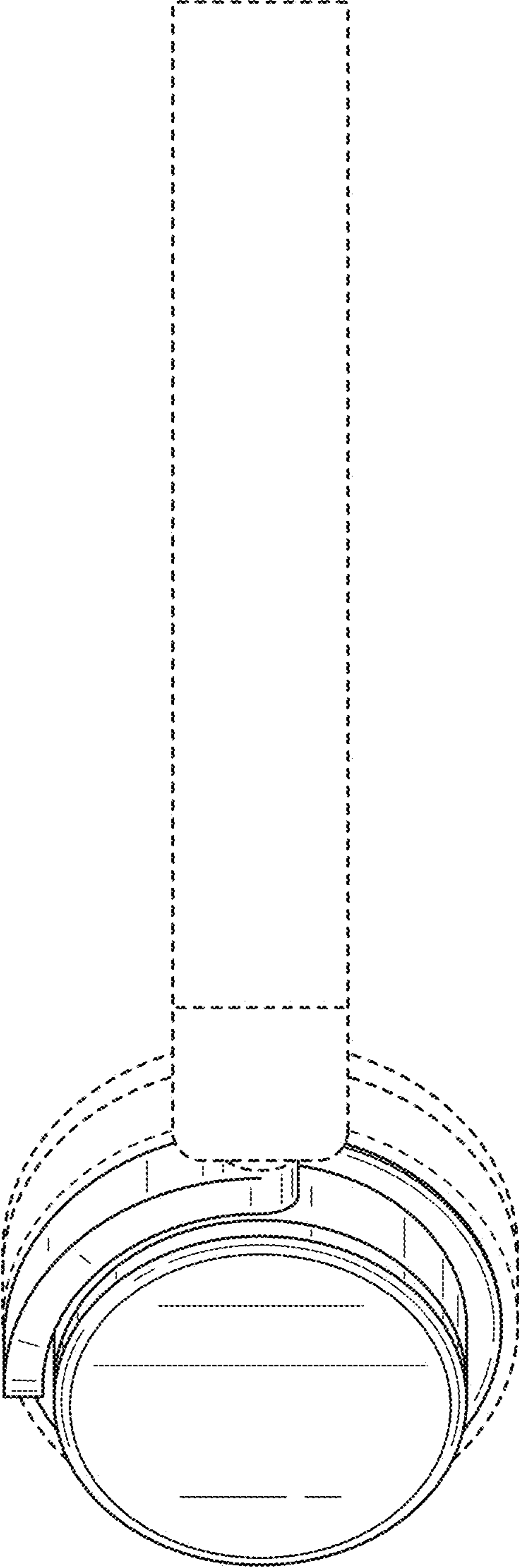


FIG. 11

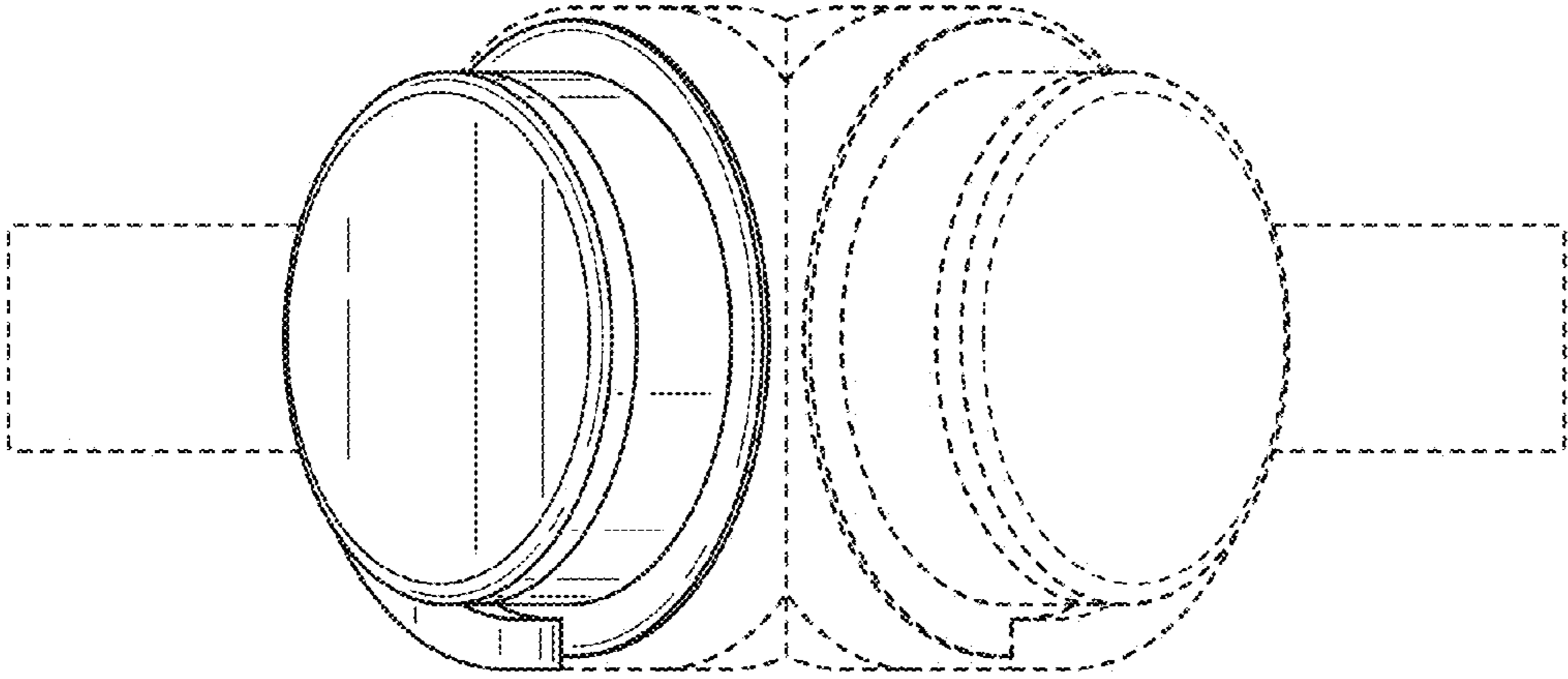


FIG. 12