



US00D727288S

(12) **United States Design Patent**
Yamasaki et al.

(10) **Patent No.:** **US D727,288 S**
(45) **Date of Patent:** **** Apr. 21, 2015**

(54) **HEADPHONE**

(71) Applicant: **Alpine Electronics, Inc.**, Tokyo (JP)

(72) Inventors: **Tom Yamasaki**, Anaheim Hills, CA (US); **Terence Lup-ho Kwan**, San Francisco, CA (US)

(73) Assignee: **Alpine Electronics, Inc.**, Tokyo (JP)

(**) Term: **14 Years**

(21) Appl. No.: **29/490,608**

(22) Filed: **May 12, 2014**

(51) **LOC (10) Cl.** **14-01**

(52) **U.S. Cl.**
USPC **D14/205**

(58) **Field of Classification Search**
CPC H04R 1/1066
USPC D14/205, 206; D29/112; 181/129, 130, 181/135; 379/430, 431; 381/380, 381; 455/90.3, 575.1

See application file for complete search history.

(56) **References Cited**

U.S. PATENT DOCUMENTS

D246,259 S *	11/1977	Nishimura et al.	D14/205
D340,033 S *	10/1993	Okumura et al.	D14/192
D351,172 S *	10/1994	Nakamura et al.	D14/205
D422,592 S *	4/2000	Deguchi	D14/205
D449,034 S *	10/2001	Weikel et al.	D14/205
D540,301 S *	4/2007	Obata	D14/205
D540,777 S *	4/2007	Rausch et al.	D14/205
7,245,735 B2 *	7/2007	Han	381/371
D588,100 S *	3/2009	Densho et al.	D14/205

D633,471 S *	3/2011	Sugiyama	D14/205
D641,725 S *	7/2011	Chong et al.	D14/205
8,006,320 B1 *	8/2011	Rohbani	2/209
D656,480 S *	3/2012	McManigal et al.	D14/205
D657,344 S *	4/2012	Brunner et al.	D14/205
D666,992 S *	9/2012	Lee et al.	D14/205
D678,859 S *	3/2013	Lee	D14/205
D680,516 S *	4/2013	Lee	D14/205
D685,763 S *	7/2013	Lee et al.	D14/205
D697,895 S *	1/2014	Lee	D14/205
D697,896 S *	1/2014	Lee et al.	D14/205
D715,252 S *	10/2014	Sparks et al.	D14/205
D716,256 S *	10/2014	Ang	D14/205
D717,276 S *	11/2014	Zhou	D14/205
D721,052 S *	1/2015	Carr et al.	D14/205
D722,041 S *	2/2015	Sparks et al.	D14/206

* cited by examiner

Primary Examiner — Paula Greene

(74) *Attorney, Agent, or Firm* — Brinks Gilson & Lione

(57) **CLAIM**

The ornamental design for a headphone, as shown and described.

DESCRIPTION

FIG. 1 is a perspective view of a headphone showing the new design;

FIG. 2 is a top view thereof;

FIG. 3 is a bottom view thereof;

FIG. 4 is a right-side view thereof;

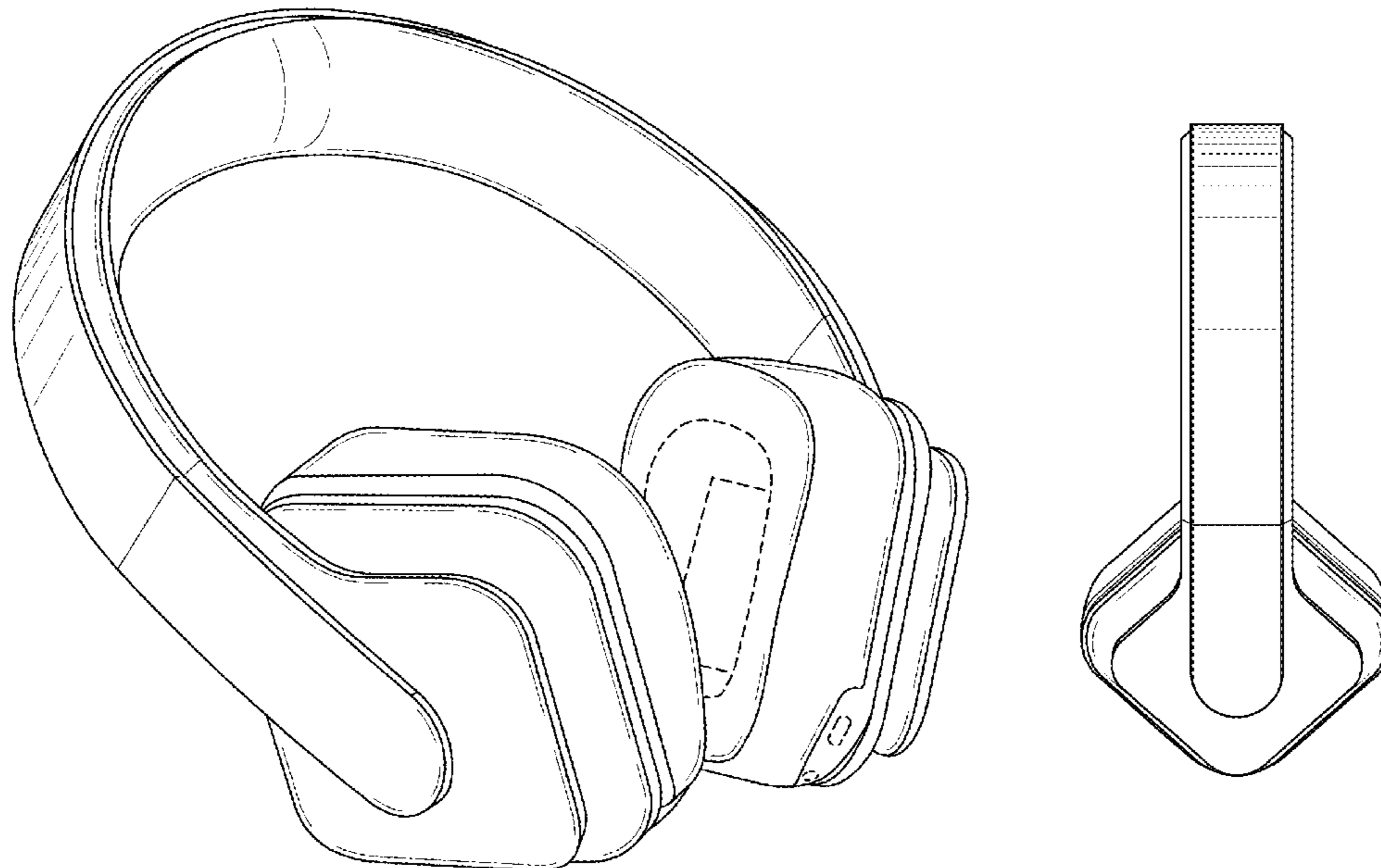
FIG. 5 is left-side view thereof;

FIG. 6 is a front view thereof; and,

FIG. 7 is a rear view thereof.

The broken lines are for environmental purposes only and do not form any part of the claimed design.

1 Claim, 4 Drawing Sheets



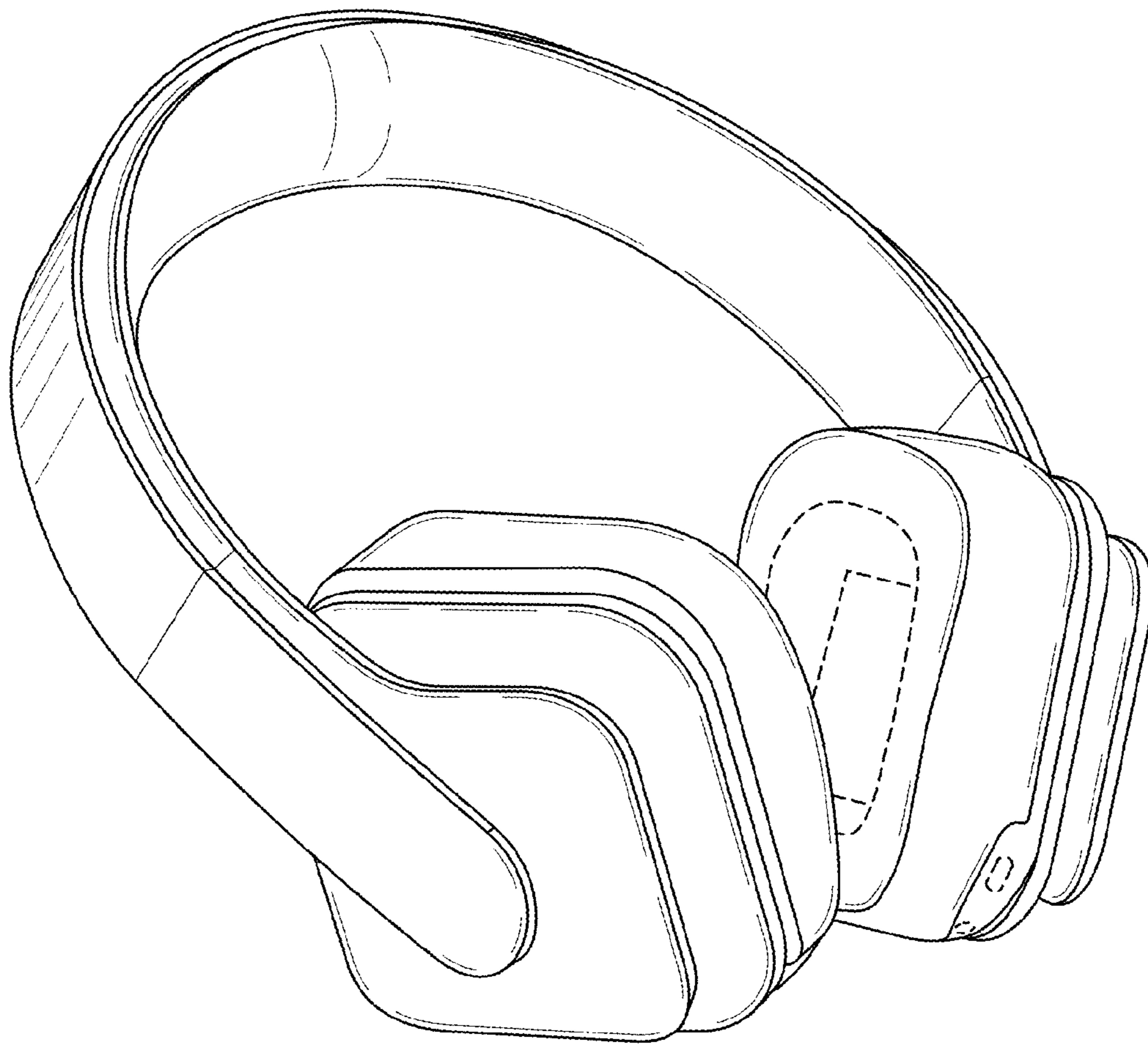


FIG. 1

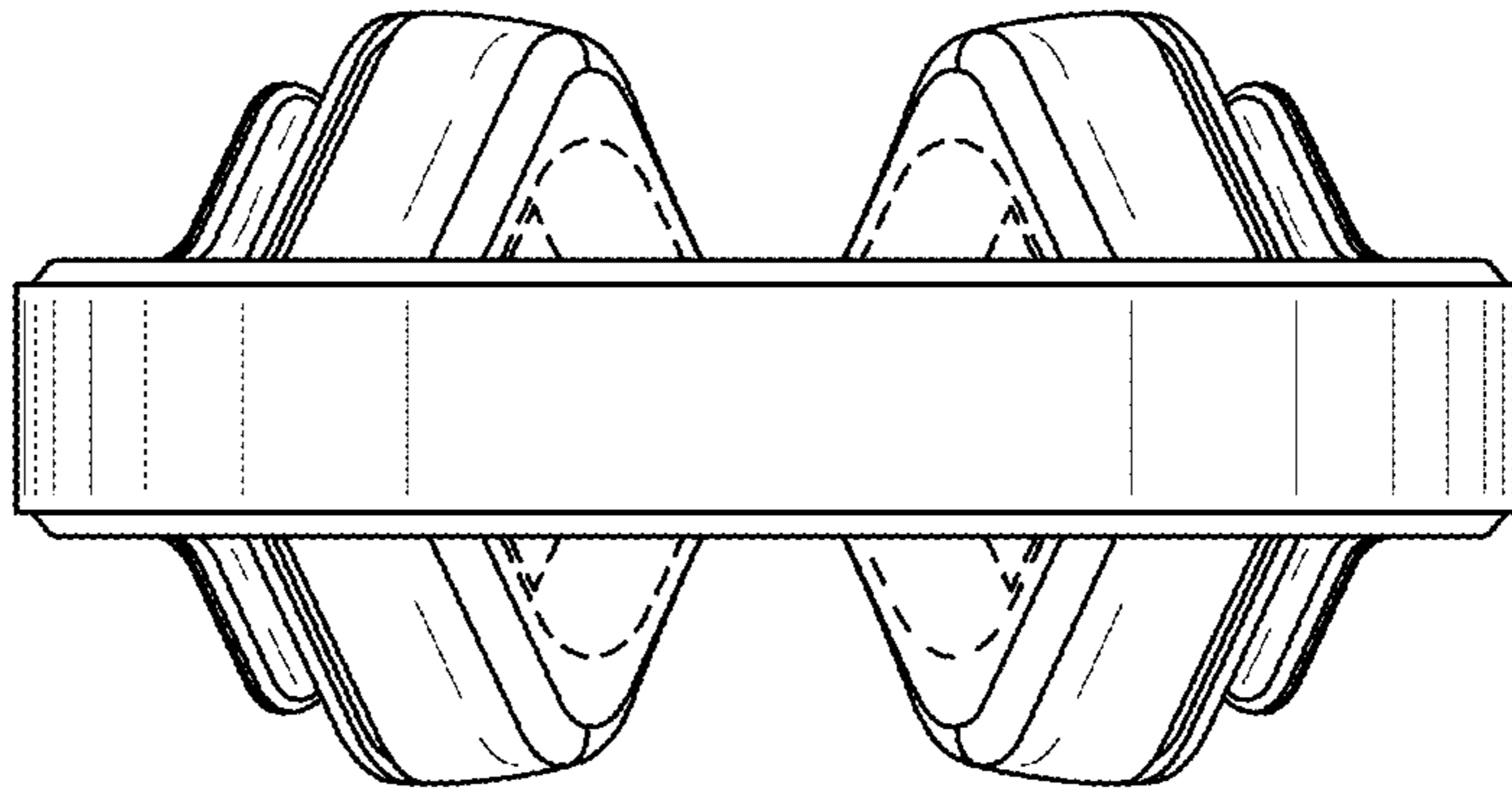


FIG. 2

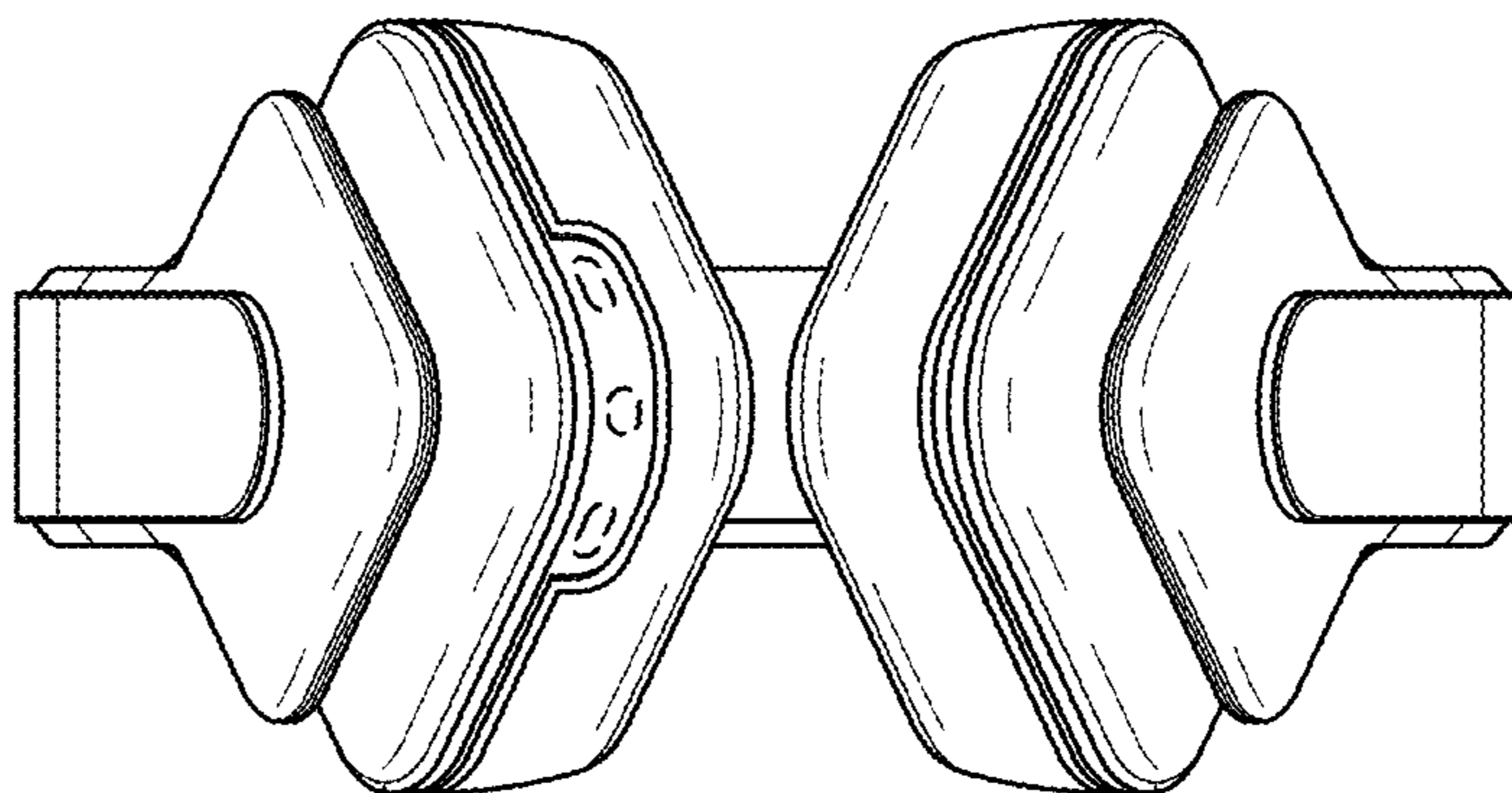


FIG. 3

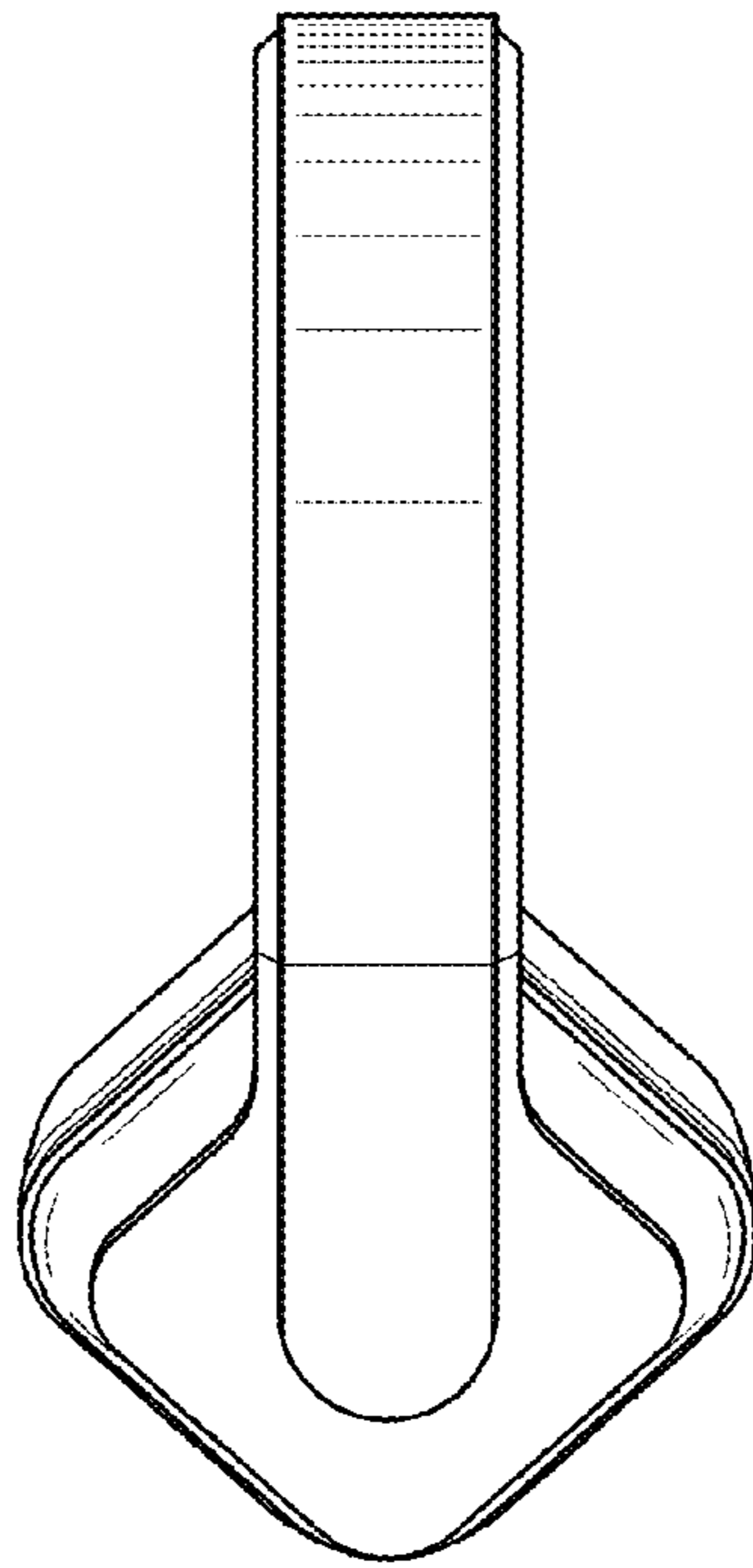


FIG. 4

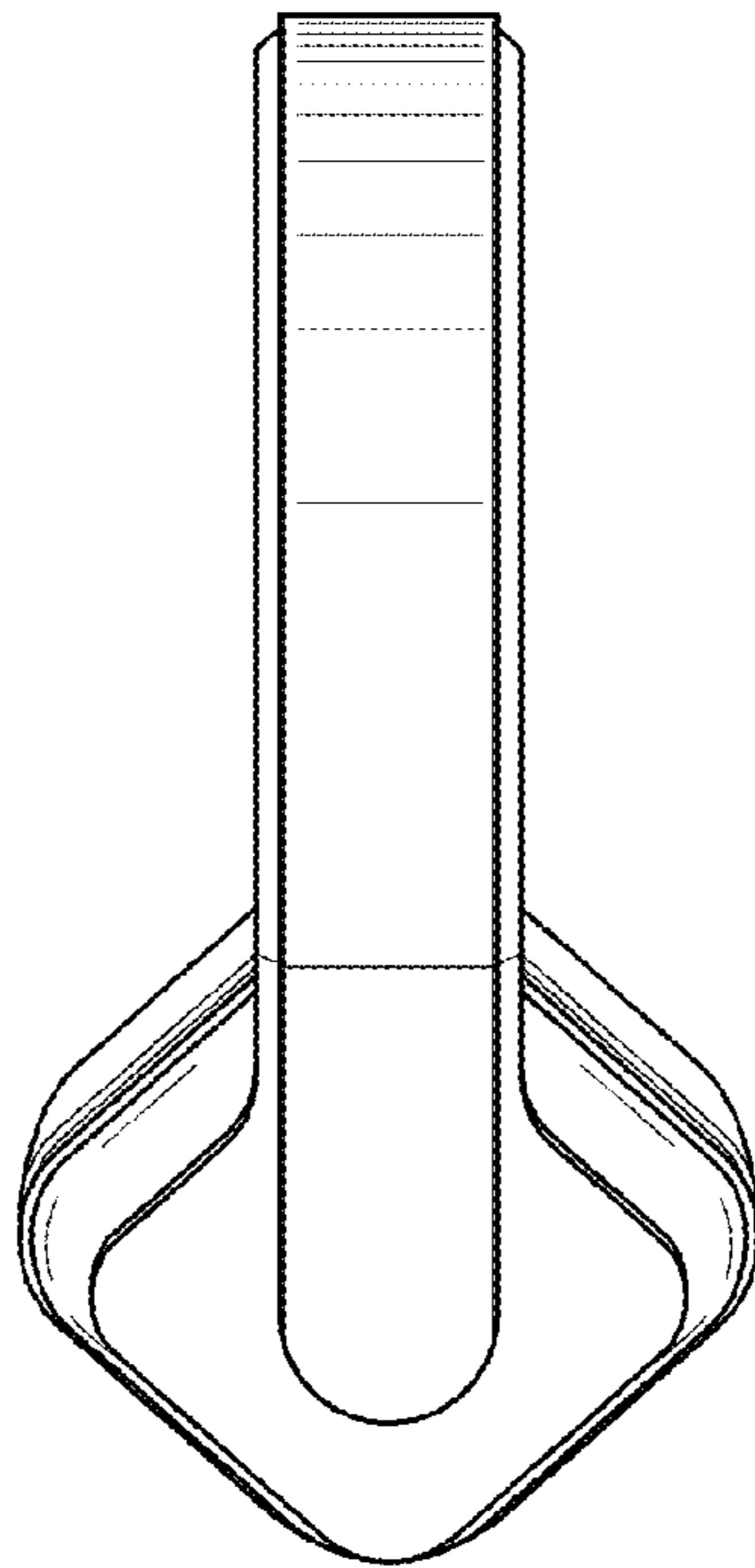


FIG. 5

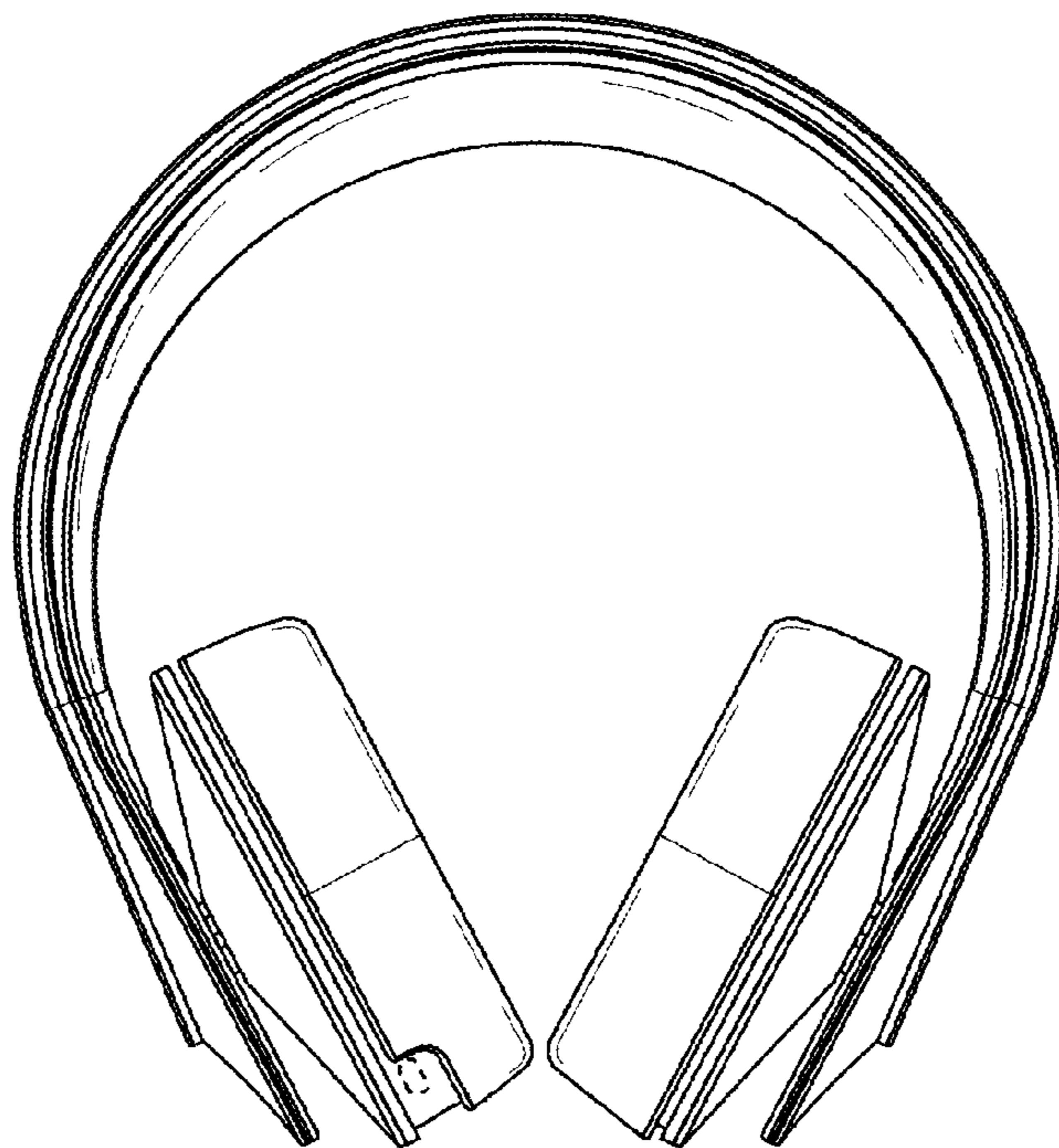


FIG. 6

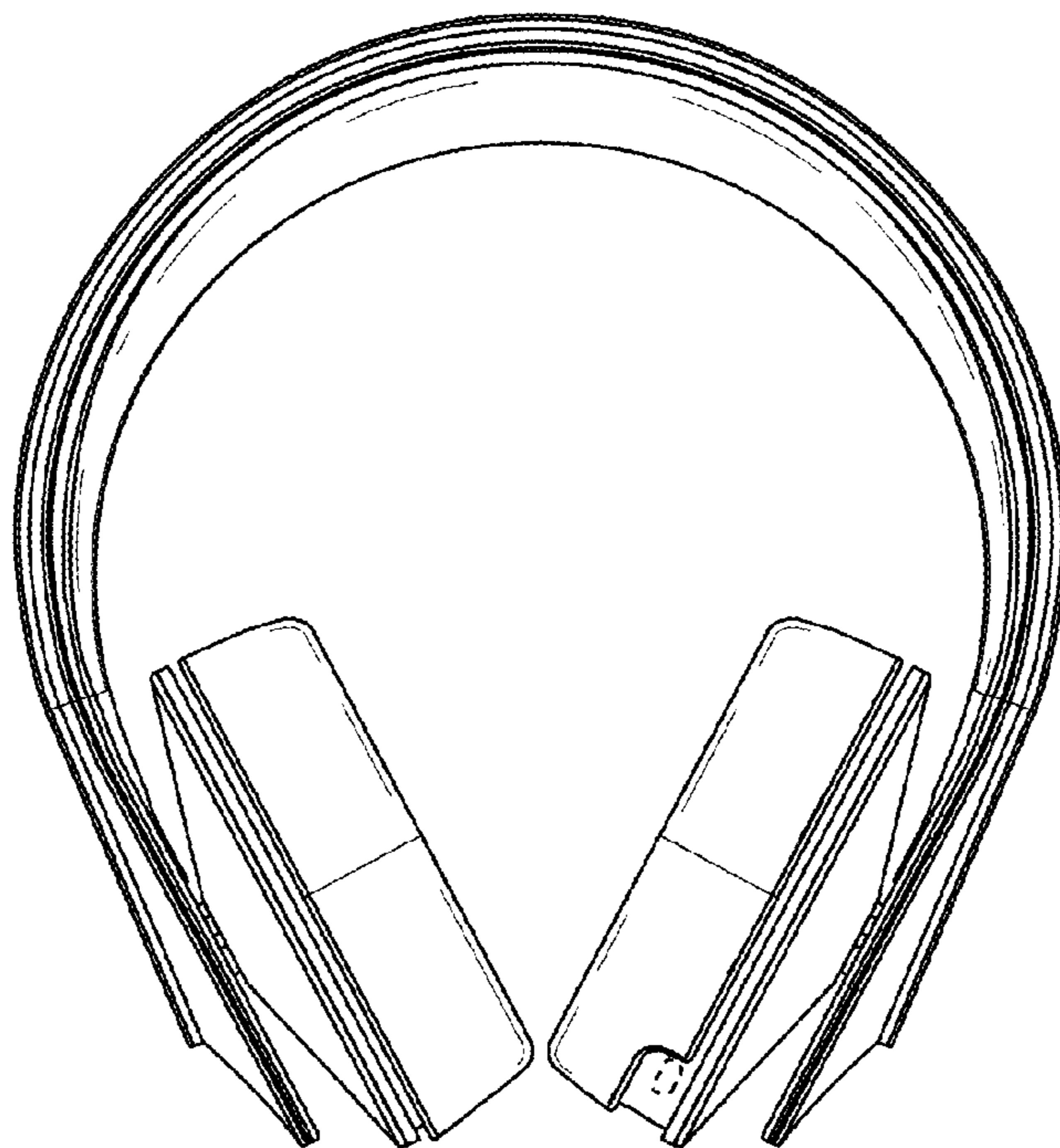


FIG. 7