



US00D727287S

(12) **United States Design Patent**
Ishikura

(10) **Patent No.:** **US D727,287 S**
(45) **Date of Patent:** **** Apr. 21, 2015**

(54) **HEADPHONES**

(71) Applicant: **Panasonic Corporation**, Osaka (JP)

(72) Inventor: **Mikiyasu Ishikura**, Osaka (JP)

(73) Assignee: **Panasonic Intellectual Property Management Co., Ltd.**, Osaka (JP)

(**) Term: **14 Years**

(21) Appl. No.: **29/488,382**

(22) Filed: **Apr. 18, 2014**

(30) **Foreign Application Priority Data**

Dec. 20, 2013 (JP) 2013-029966

(51) **LOC (10) Cl.** **14-01**

(52) **U.S. Cl.**
USPC **D14/205**

(58) **Field of Classification Search**

CPC H04R 1/1066

USPC D14/205; D8/341, 343, 395; D3/232,
D3/900, 901, 905; 181/129, 130, 135;
379/430, 431; 381/380, 381, 374;
24/70 SK, 69 TS; 220/DIG. 26;
455/90.3, 575.1

See application file for complete search history.

(56) **References Cited**

U.S. PATENT DOCUMENTS

1,802,796 A * 4/1931 Wacker 292/228
D209,323 S * 11/1967 Constable D8/331
D210,152 S * 2/1968 Pastva, Jr. D8/341
3,505,684 A * 4/1970 Hutchinson et al. 2/209
4,875,233 A * 10/1989 Derhaag et al. 379/430
5,035,005 A * 7/1991 Hung 2/209
5,086,900 A * 2/1992 Kikuta et al. 192/142 R

D355,913 S * 2/1995 Chong D14/168
D482,019 S * 11/2003 Petersen et al. D14/206
7,735,154 B2 * 6/2010 Gellis et al. 2/209
D638,000 S * 5/2011 Hoggarth D14/206
D664,117 S * 7/2012 Tappeiner et al. D14/205
8,314,883 B2 * 11/2012 Richardson et al. 348/376
8,363,877 B2 * 1/2013 Morisawa 381/383
8,559,665 B2 * 10/2013 Schmidt et al. 381/374
8,732,864 B2 * 5/2014 Fountain et al. 2/209
D716,255 S * 10/2014 Cho et al. D14/205
D716,258 S * 10/2014 Awiszus et al. D14/206
D720,721 S * 1/2015 Lu D14/205
D721,054 S * 1/2015 Lu D14/205
D722,590 S * 2/2015 Lu D14/205

* cited by examiner

Primary Examiner — Paula Greene

(74) *Attorney, Agent, or Firm* — Panasonic Patent Center

(57) **CLAIM**

I claim the ornamental design for headphones, as shown and described.

DESCRIPTION

FIG. 1 is a front perspective view of headphones of the present invention;

FIG. 2 is a front view thereof;

FIG. 3 is a rear view thereof;

FIG. 4 is a first side view thereof;

FIG. 5 is a second side view thereof;

FIG. 6 is a top view thereof;

FIG. 7 is a bottom view thereof; and,

FIG. 8 is a front perspective view thereof shown in a slide position.

The broken line showing of headphones is included for the purpose of illustrating environment and forms no part of the claimed design. Additionally, the unevenly broken lines in the drawings define the limits of the claimed design.

1 Claim, 8 Drawing Sheets

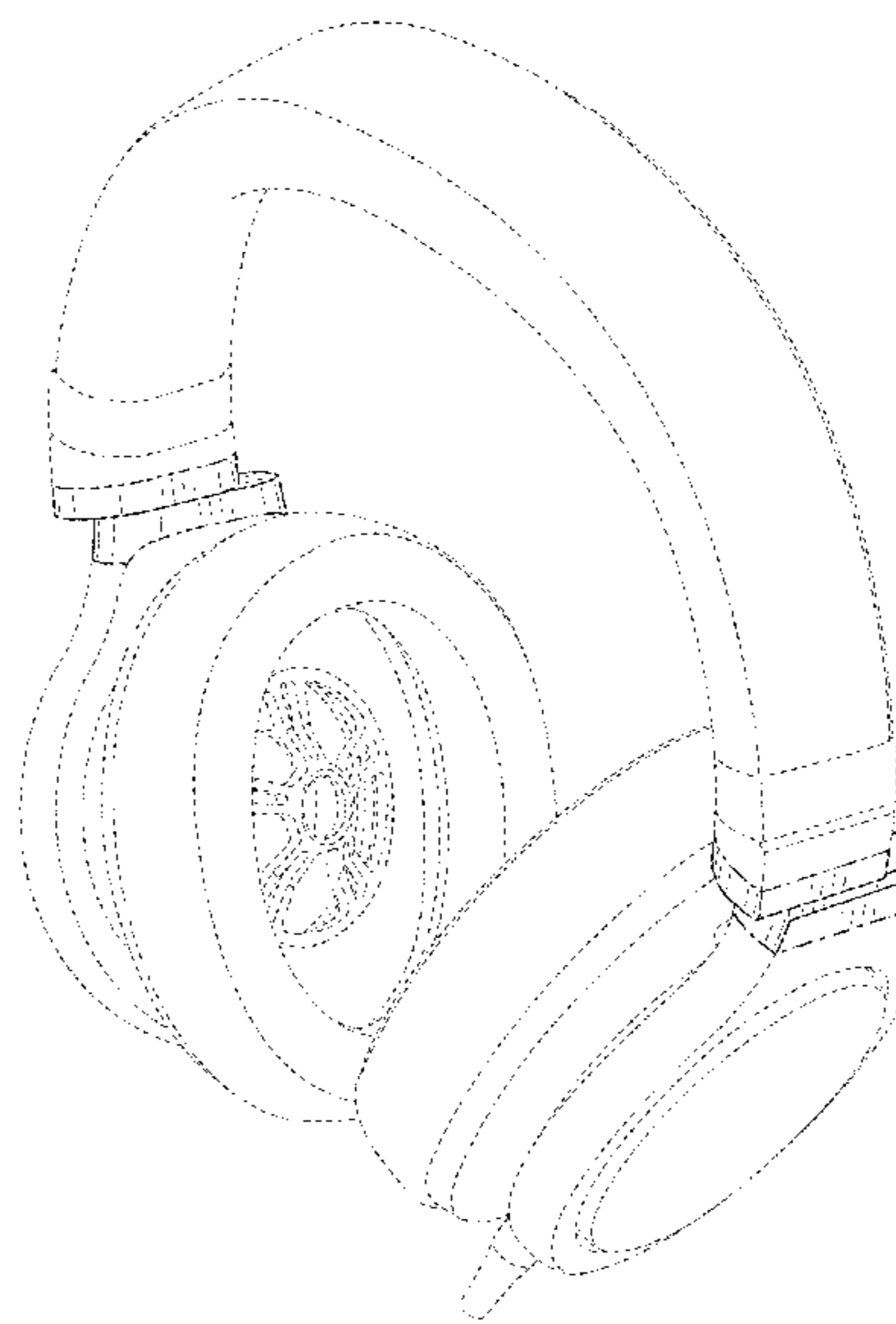
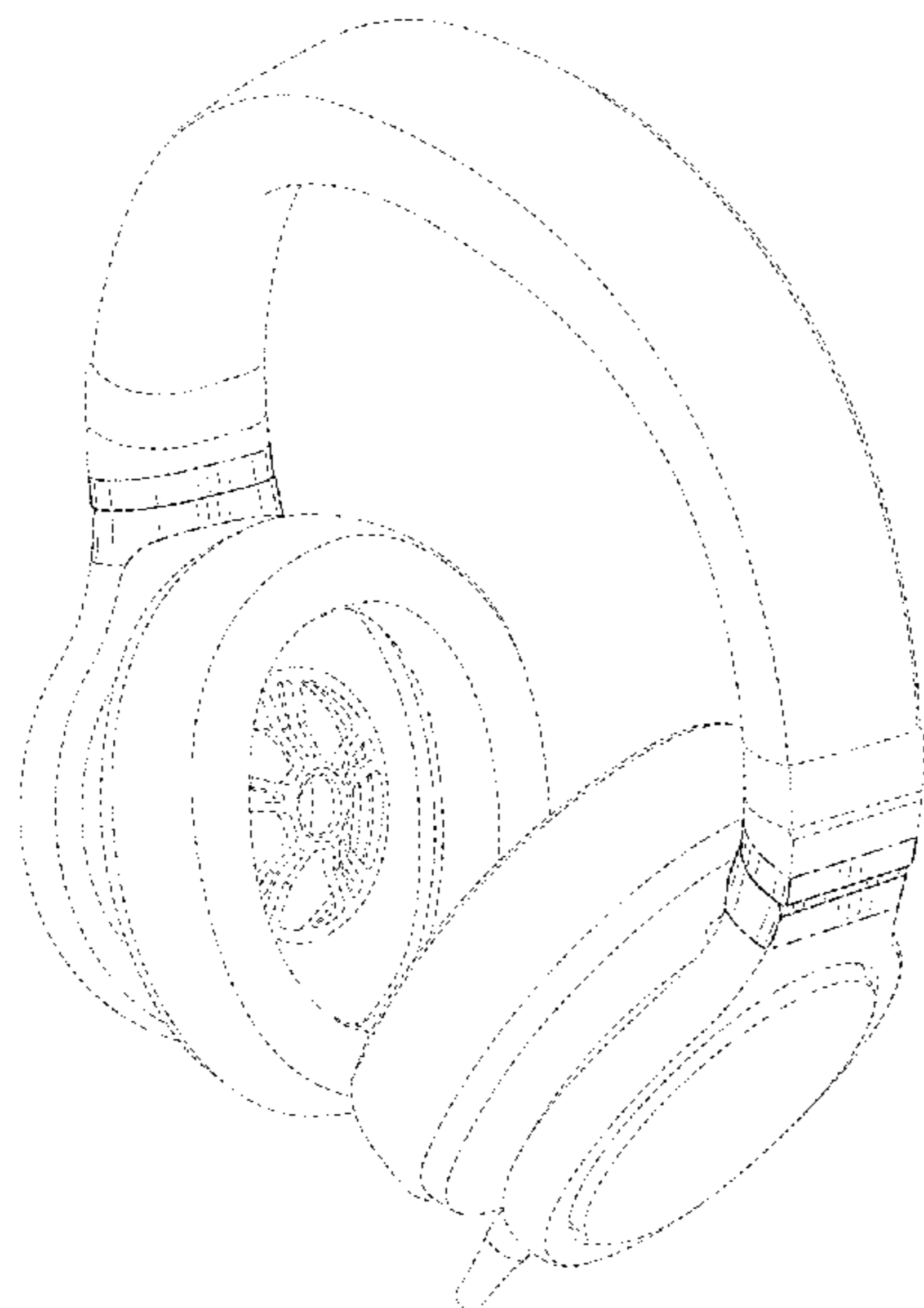


FIG. 1

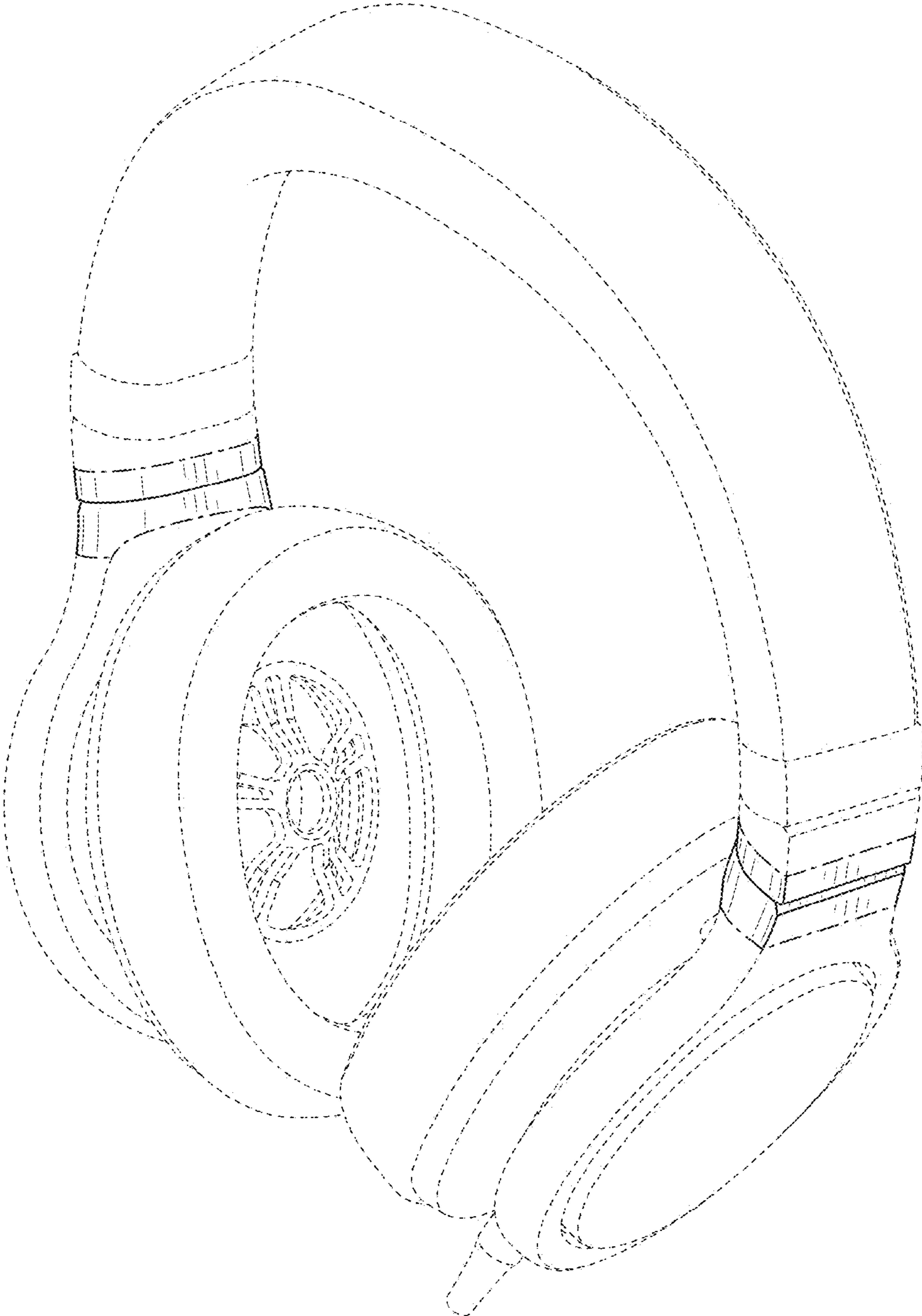


FIG. 2

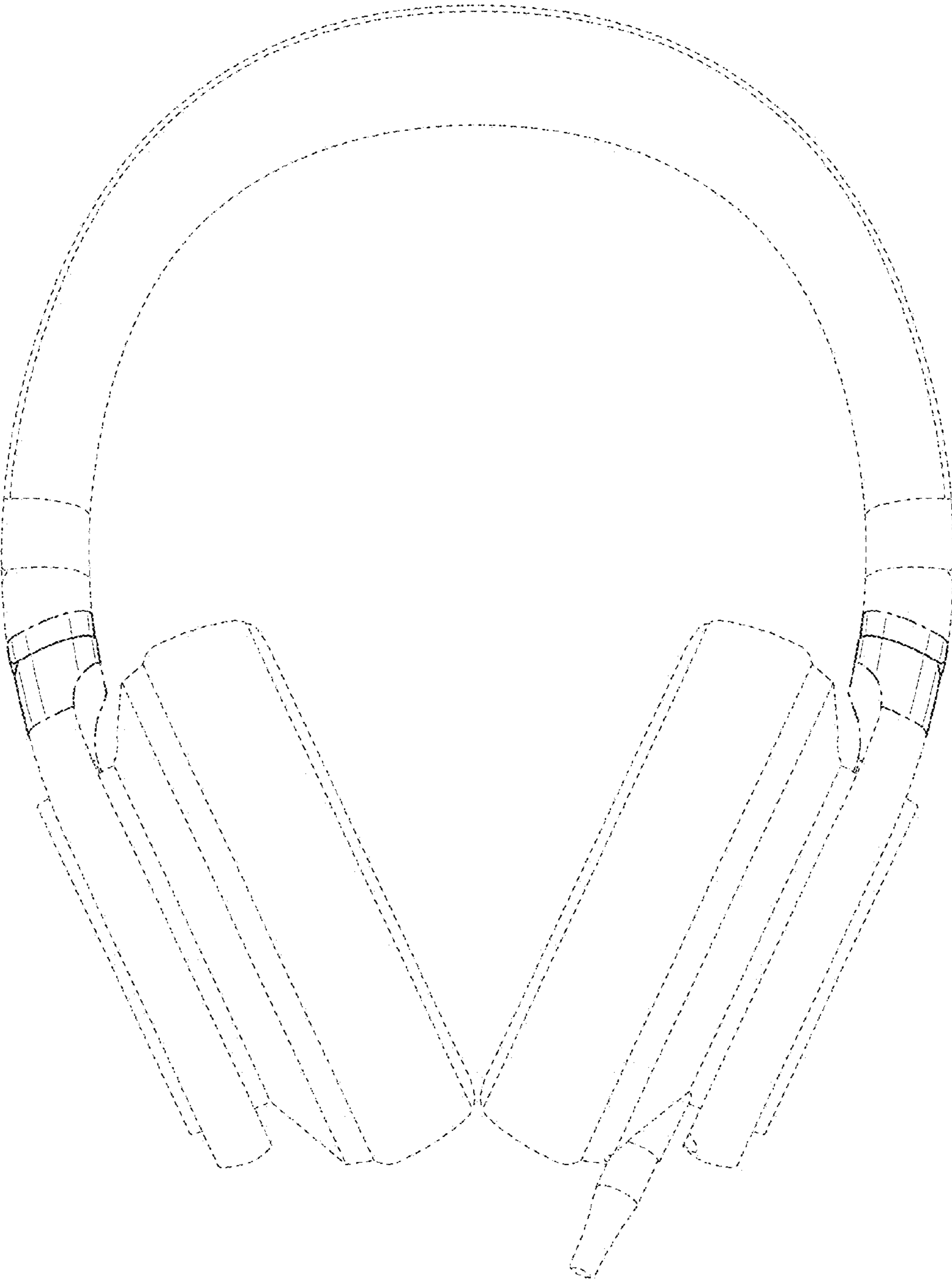


FIG. 3

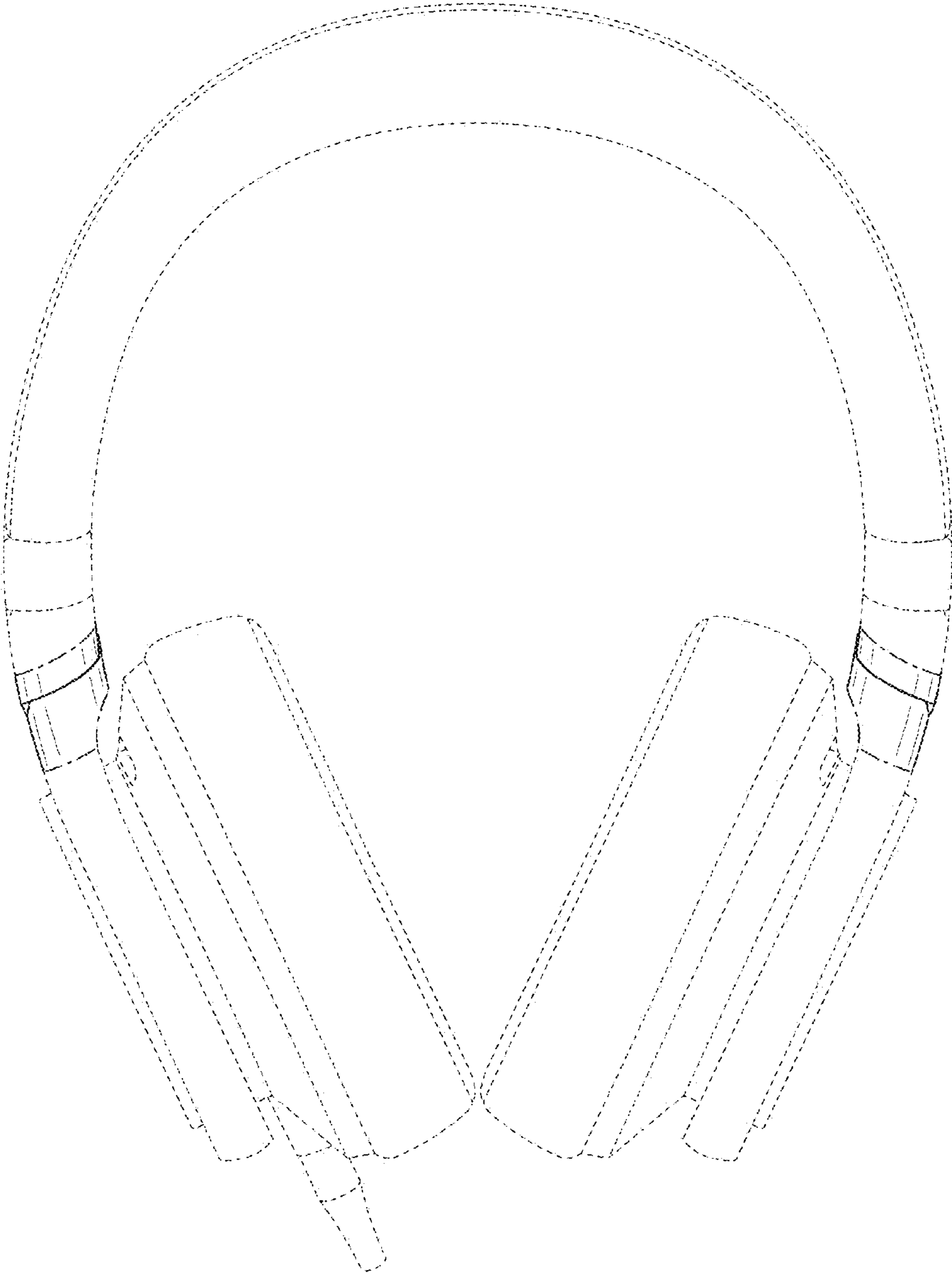


FIG. 4

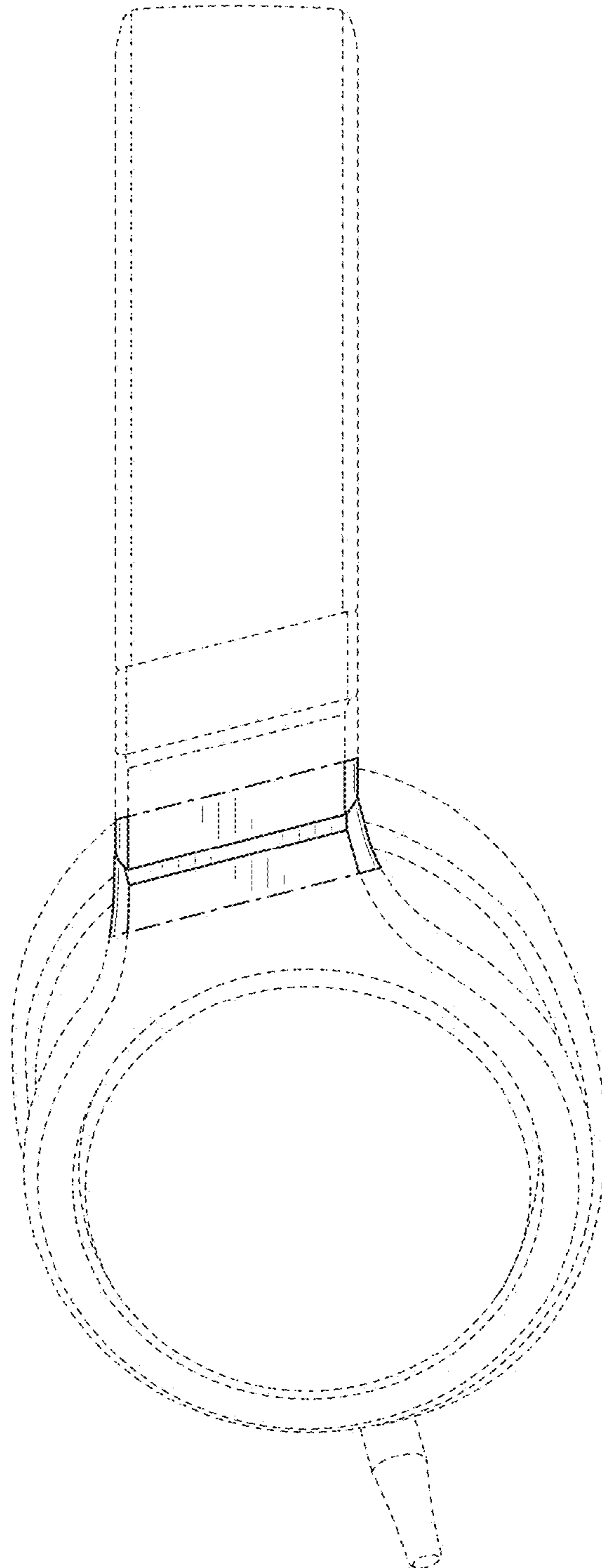


FIG. 5

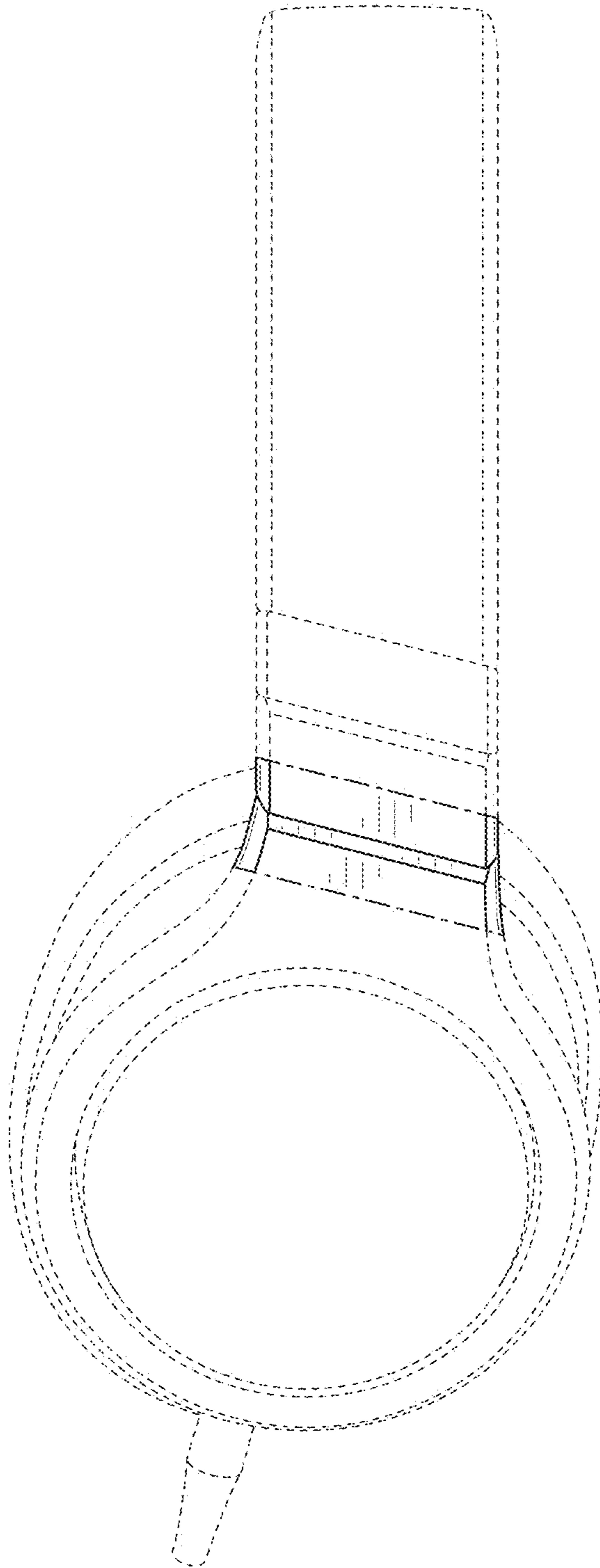


FIG. 6

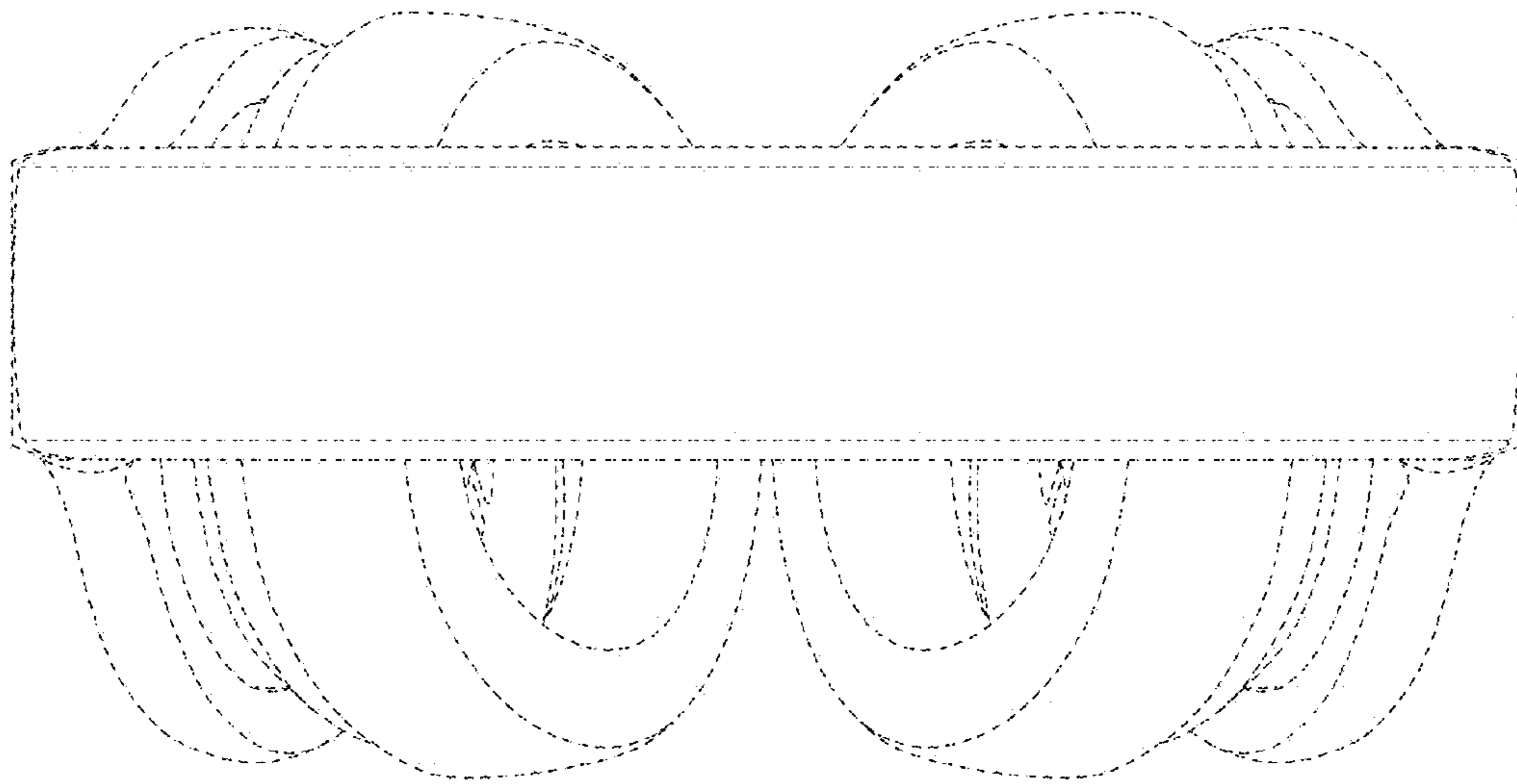


FIG. 7

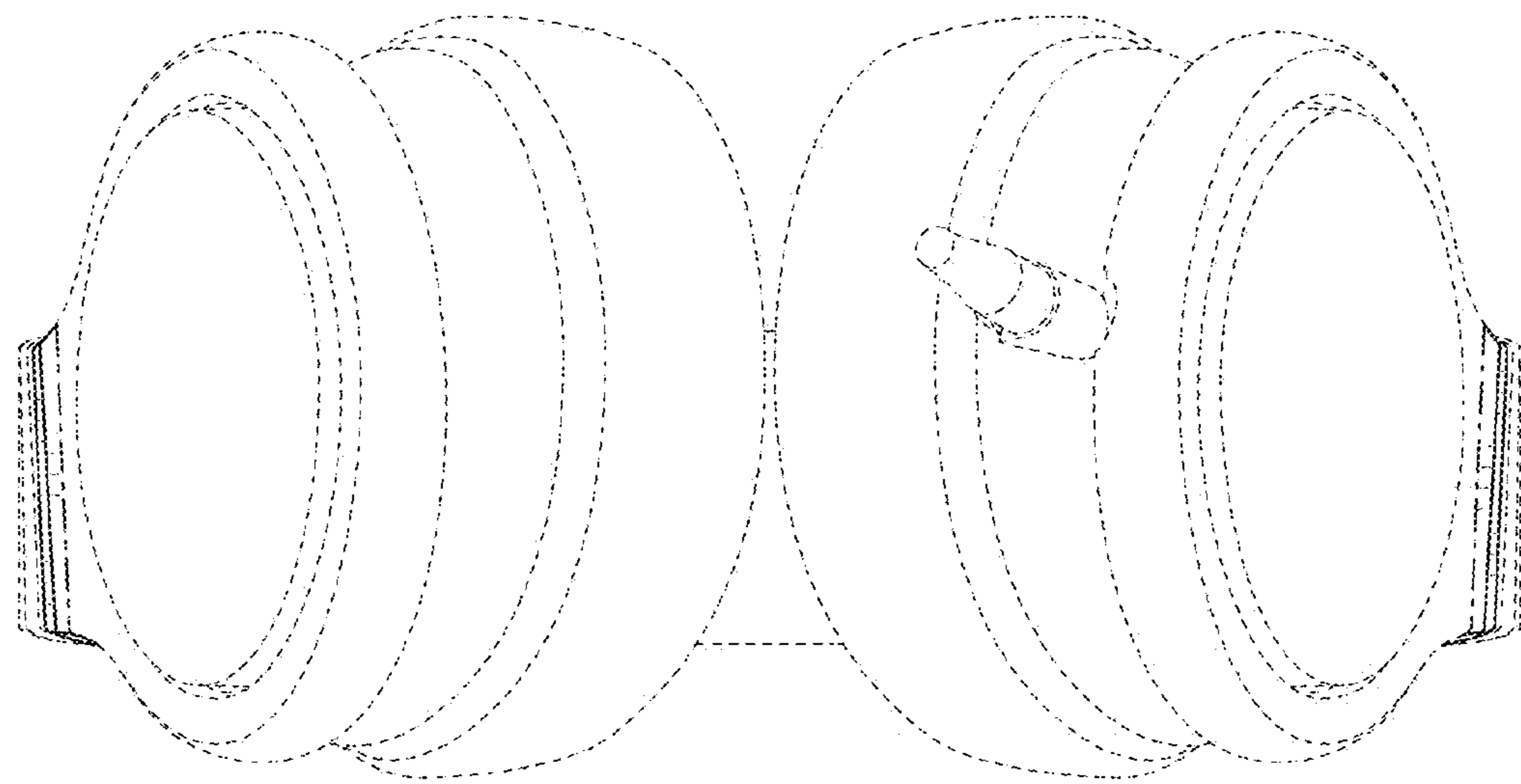


FIG. 8

