

US00D727286S

(12) **United States Design Patent**  
**Galler**

(10) **Patent No.:** **US D727,286 S**

(45) **Date of Patent:** **\*\* Apr. 21, 2015**

(54) **HEADPHONES**

(71) Applicant: **Sennheiser electronic GmbH & Co. KG, Wedemark (DE)**

(72) Inventor: **Niklas Galler, Berlin (DE)**

(73) Assignee: **Sennheiser electronic GmbH & Co. KG, Wedemark (DE)**

(\*\*) Term: **14 Years**

(21) Appl. No.: **29/487,743**

(22) Filed: **Apr. 11, 2014**

(30) **Foreign Application Priority Data**

Oct. 14, 2013 (EM) ..... 001 386 676-0002

(51) **LOC (10) Cl.** ..... **14-01**

(52) **U.S. Cl.**  
USPC ..... **D14/205**

(58) **Field of Classification Search**

CPC ..... H04R 1/1066

USPC ..... D14/205, 206; D29/112; 2/209;  
181/129, 130, 135; 379/430, 431;  
381/380, 381, 374, 378, 379; 455/90.3,  
455/575.1

See application file for complete search history.

(56) **References Cited**

**U.S. PATENT DOCUMENTS**

6,629,579	B1 *	10/2003	Hasegawa	.....	181/129
D512,708	S *	12/2005	Harris et al.	.....	D14/205
D538,261	S *	3/2007	Taylor et al.	.....	D14/205
D552,077	S *	10/2007	Brunner et al.	.....	D14/205
D563,382	S *	3/2008	Wikel	.....	D14/205
D573,581	S *	7/2008	Gondo et al.	.....	D14/205
D597,070	S *	7/2009	Zheng	.....	D14/205
7,580,539	B2 *	8/2009	Tachikawa	.....	381/374

D663,900	S *	7/2012	Karlsson et al.	.....	D29/112
8,233,655	B2 *	7/2012	Miyata	.....	381/374
D665,775	S *	8/2012	Katsumata	.....	D14/205
D673,520	S *	1/2013	Tan	.....	D14/205
D675,595	S *	2/2013	Cho et al.	.....	D14/205
D691,109	S *	10/2013	Hardi et al.	.....	D14/205
8,565,468	B2 *	10/2013	Ito et al.	.....	381/378
D696,226	S *	12/2013	Brunner et al.	.....	D14/205
D706,744	S *	6/2014	Yang	.....	D14/205
D707,200	S *	6/2014	Yang	.....	D14/205
D708,164	S *	7/2014	Ishikura	.....	D14/205
8,767,996	B1 *	7/2014	Lin et al.	.....	381/380
D712,375	S *	9/2014	Miyake et al.	.....	D14/205
D719,133	S *	12/2014	Gan	.....	D14/205
2005/0053255	A1 *	3/2005	Harris et al.	.....	381/379

\* cited by examiner

*Primary Examiner* — Paula Greene

(74) *Attorney, Agent, or Firm* — Frommer Lawrence & Haug LLP

(57) **CLAIM**

The ornamental design for headphones, as shown and described.

**DESCRIPTION**

FIG. 1 is a top view of the headphones in accordance with the invention.

FIG. 2 is a bottom view of the headphones in accordance with the invention.

FIG. 3 is a front view of the headphones in accordance with the invention.

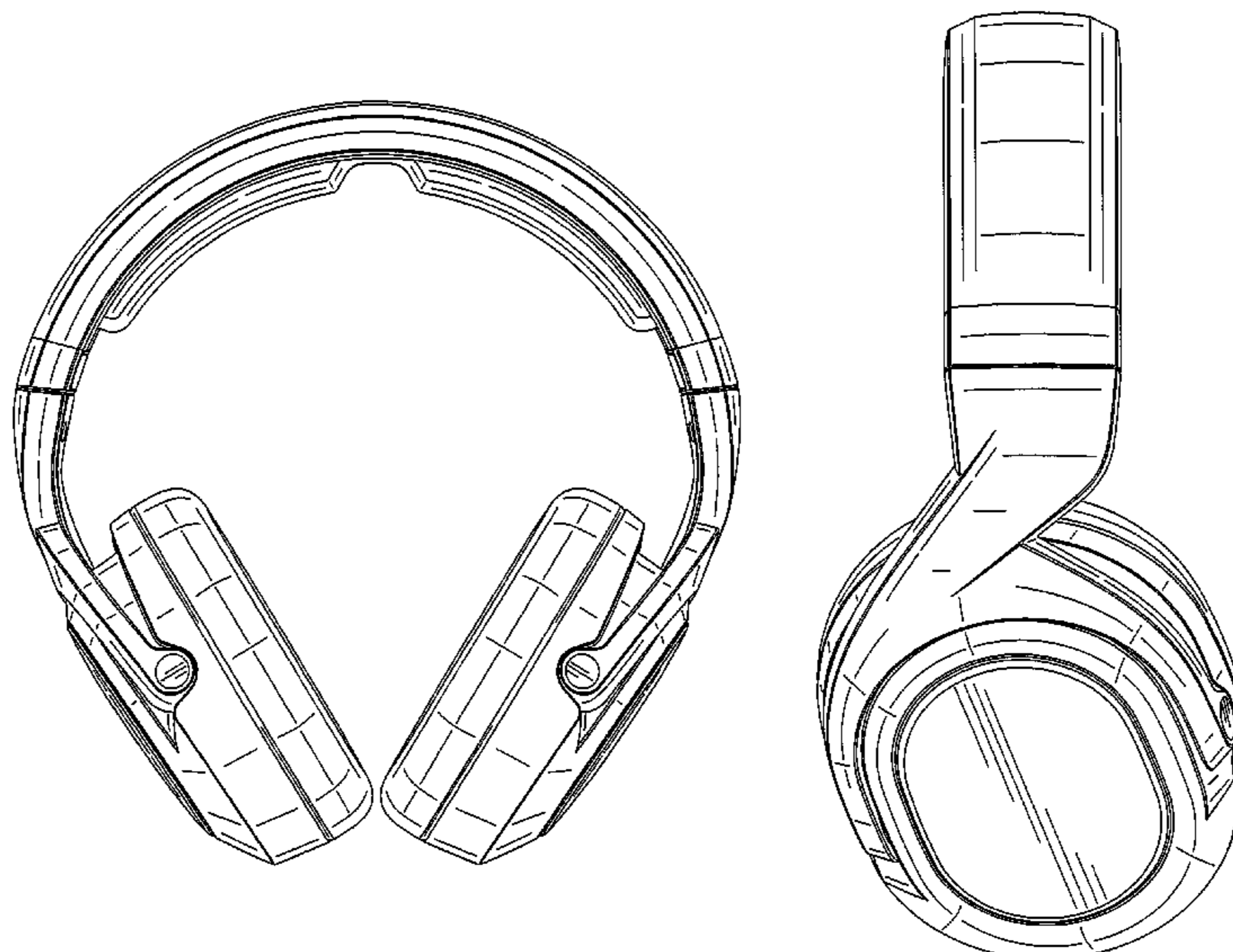
FIG. 4 is a rear view of the headphones in accordance with the invention.

FIG. 5 is a left view of the headphones in accordance with the invention.

FIG. 6 is a right view of the headphones in accordance with the invention; and,

FIG. 7 is a right perspective view of the headphones in accordance with the invention.

**1 Claim, 7 Drawing Sheets**



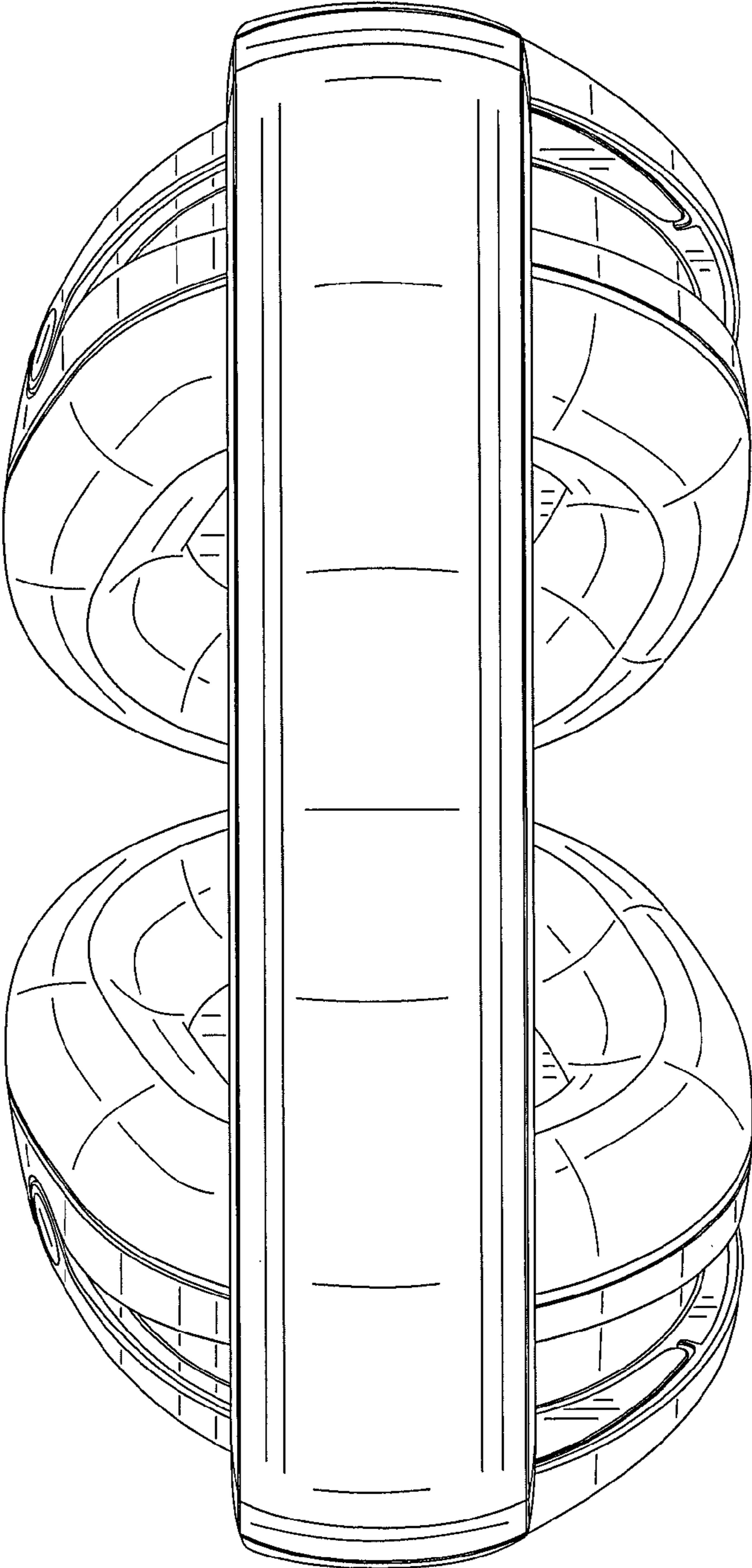


Fig. 1

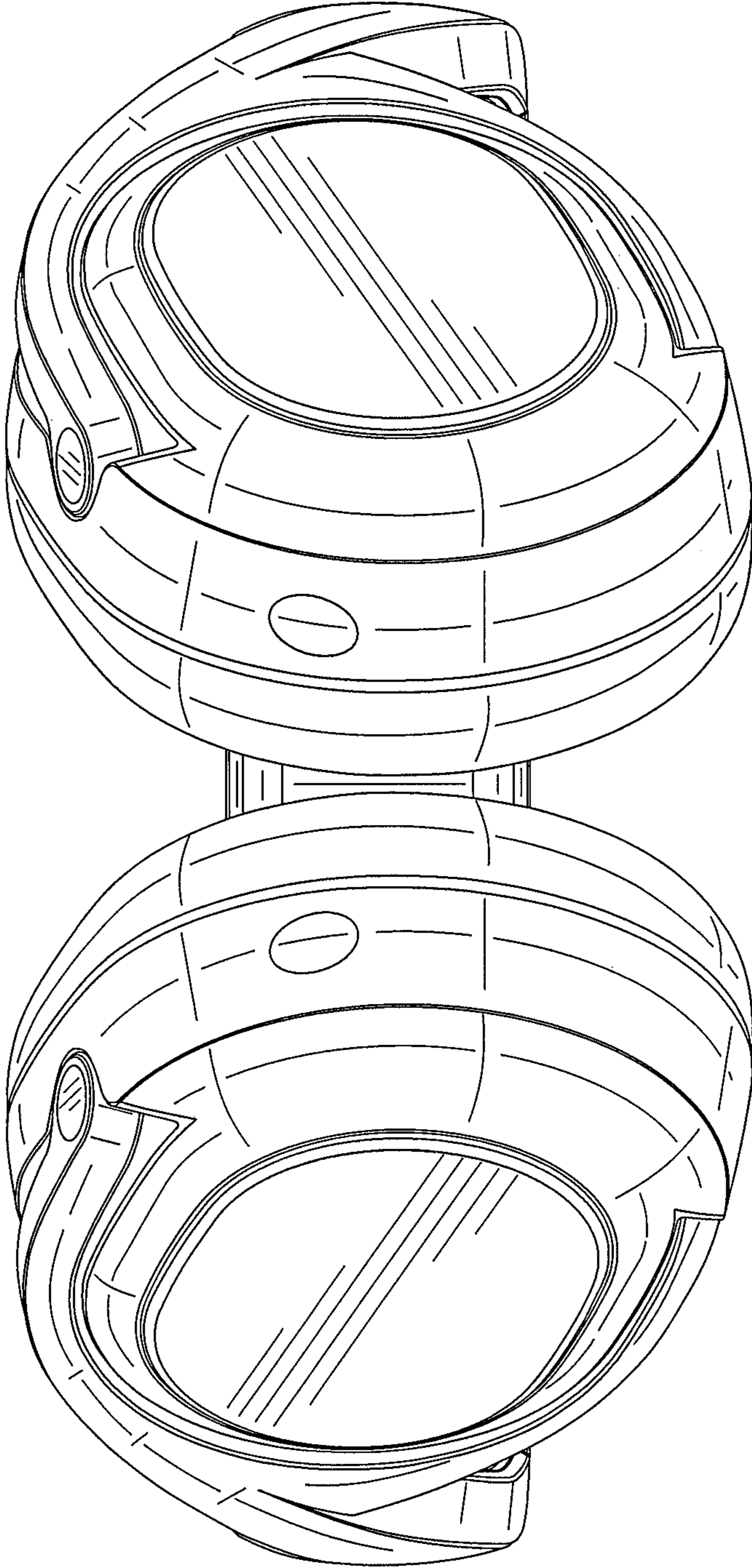


Fig. 2



Fig. 3



Fig. 4

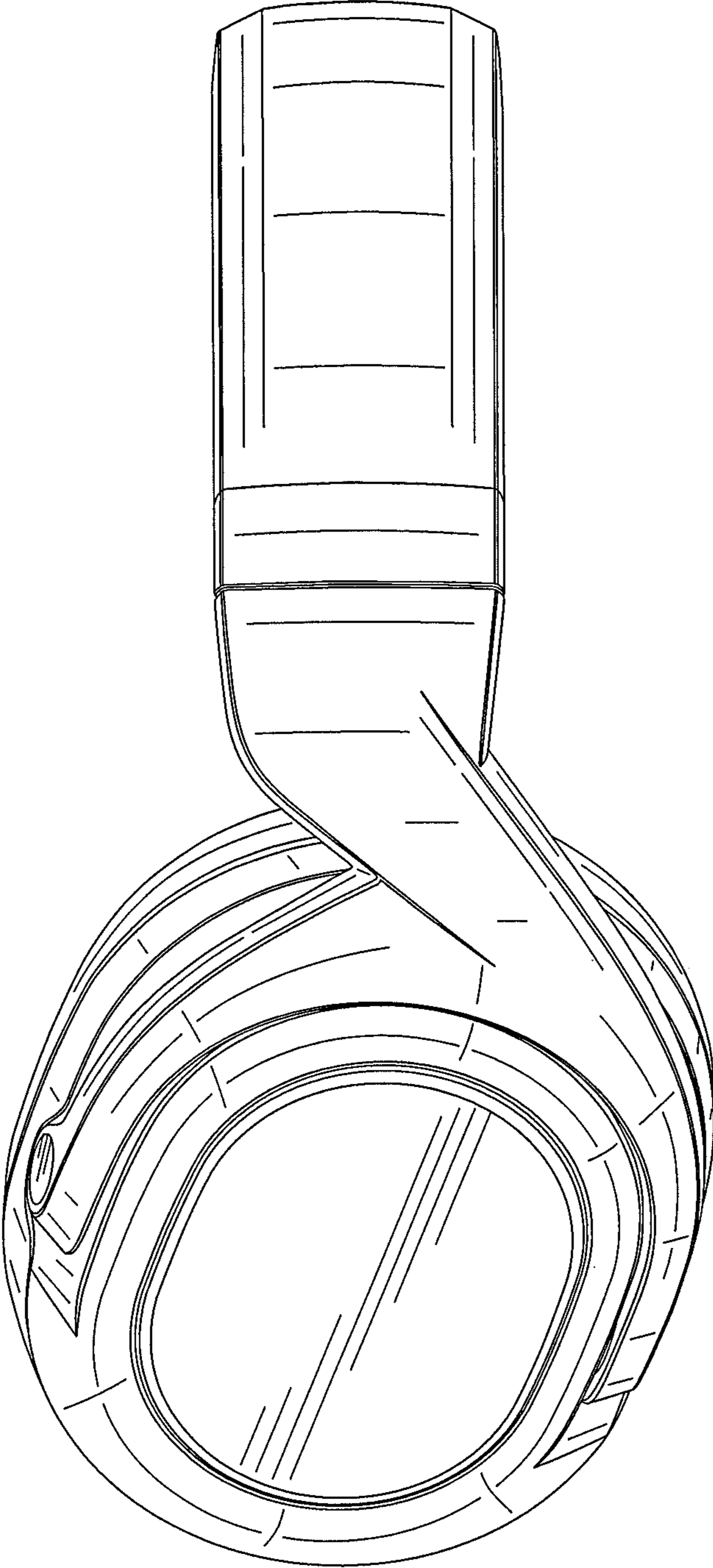


Fig. 5

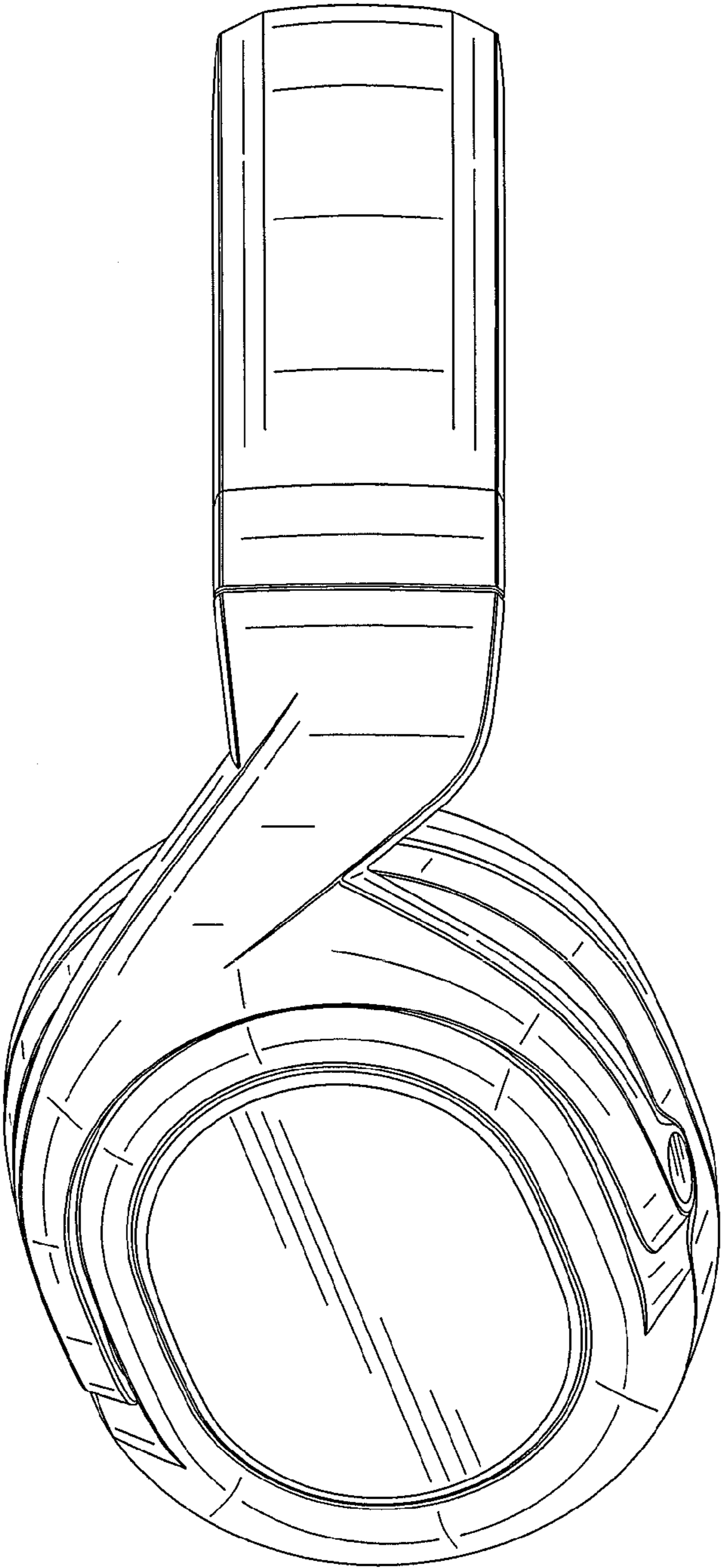


Fig. 6

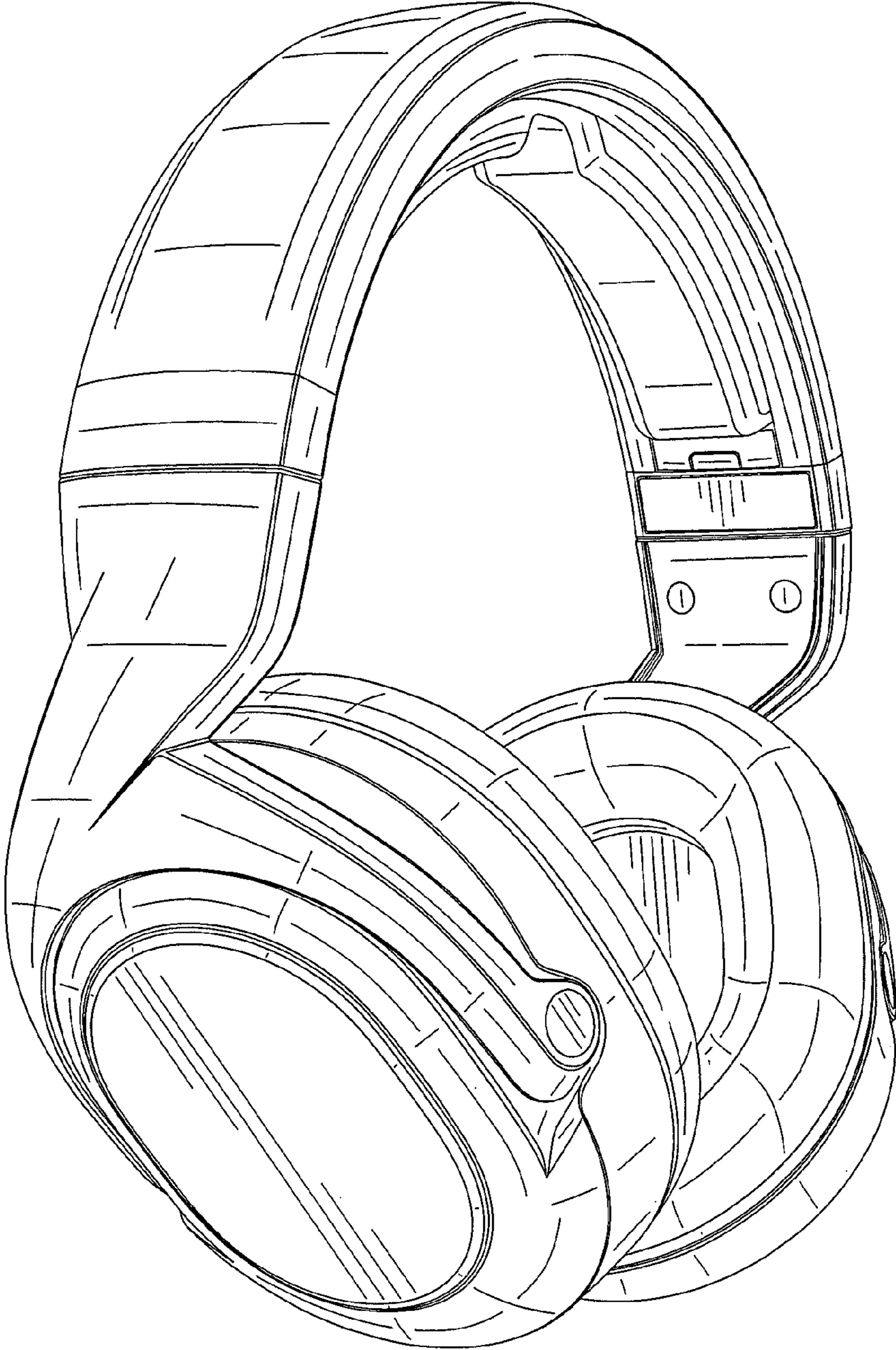


Fig. 7