



US00D727280S

(12) **United States Design Patent**
Levine

(10) **Patent No.:** **US D727,280 S**
(45) **Date of Patent:** **** Apr. 21, 2015**

- (54) **HEADPHONE DEVICE**
- (71) Applicant: **New Audio LLC**, New York, NY (US)
- (72) Inventor: **Jonathan E. Levine**, New York, NY (US)
- (**) Term: **14 Years**
- (21) Appl. No.: **29/481,787**
- (22) Filed: **Feb. 10, 2014**
- (51) **LOC (10) Cl.** **14-01**
- (52) **U.S. Cl.**
USPC **D14/205**
- (58) **Field of Classification Search**
CPC H04R 1/1066
USPC D14/205; 181/129, 130, 135; 379/430, 379/431; 381/380, 381; 2/209
See application file for complete search history.

D431,550	S	*	10/2000	Yoneda	D14/205
D432,522	S	*	10/2000	Kieltyka et al.	D14/216
D484,485	S	*	12/2003	Matsuoka	D14/205
D508,483	S	*	8/2005	Suzuki	D14/223
D514,087	S	*	1/2006	Wilson et al.	D14/206
D517,527	S	*	3/2006	Suzuki	D14/205
D560,654	S	*	1/2008	Feng et al.	D14/205
D567,215	S	*	4/2008	Lee	D14/205
7,388,960	B2	*	6/2008	Kuo et al.	381/186
7,457,649	B1	*	11/2008	Wilson	455/575.2
D620,474	S	*	7/2010	Komiyama	D14/205
D633,895	S	*	3/2011	Morimoto	D14/205
D635,958	S	*	4/2011	Ando et al.	D14/205
D708,162	S	*	7/2014	Wenger et al.	D14/205
D712,872	S	*	9/2014	Yuen	D14/205
2005/0105755	A1	*	5/2005	Yueh	381/371

* cited by examiner

Primary Examiner — Paula Greene

(74) *Attorney, Agent, or Firm* — Perkins Coie LLP

(57) **CLAIM**

The ornamental design for a headphone device, as shown and described.

(56) **References Cited**

U.S. PATENT DOCUMENTS

1,127,161	A	*	2/1915	Baldwin	381/379
1,483,315	A	*	2/1924	Saal	381/378
1,489,978	A	*	4/1924	Byron	181/129
1,555,997	A	*	10/1925	Lidberg	381/378
1,587,409	A	*	6/1926	Ouillette	381/379
1,649,551	A	*	11/1927	Smith	381/378
2,235,372	A	*	3/1941	Kalbitz	381/371
2,394,374	A	*	2/1946	Gilman	381/378
2,413,345	A	*	12/1946	Gilman	381/379
2,486,267	A	*	10/1949	Dulinsky	381/377
D156,329	S	*	12/1949	Federico et al.	D14/227
2,782,423	A	*	2/1957	Simon et al.	2/209
3,440,663	A	*	4/1969	Beguin	2/209
3,488,457	A	*	1/1970	Lahti	381/371
3,797,045	A	*	3/1974	Aho	2/209
3,922,725	A	*	12/1975	Csiki et al.	2/209
4,175,217	A	*	11/1979	Williams	379/430
4,472,607	A	*	9/1984	Houng	181/18
4,829,571	A	*	5/1989	Kakiuchi et al.	381/309
5,233,650	A	*	8/1993	Chan	379/430
5,293,647	A	*	3/1994	Mirmilshsteyn et al.	2/209
D410,466	S	*	6/1999	Mouri	D14/205
D413,550	S	*	9/1999	Otterson et al.	D12/1

DESCRIPTION

FIG. 1 is a perspective view of an embodiment of a headphone device showing my new design, as viewed from the top and front.

FIG. 2 is a front profile view of the headphone device shown in FIG. 1.

FIG. 3 is a back profile view of the headphone device shown in FIG. 1.

FIG. 4 is a first side profile view of the headphone device shown in FIG. 1.

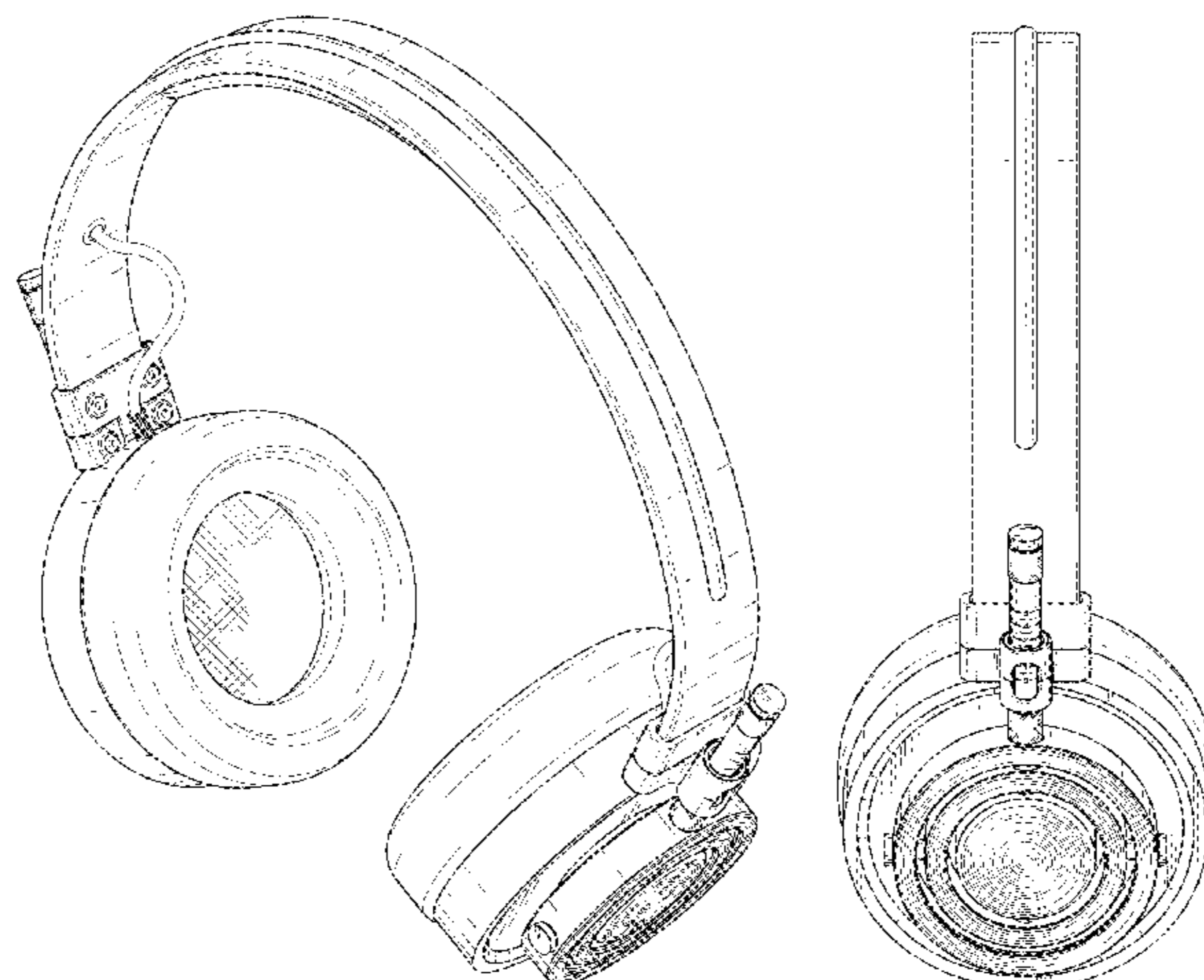
FIG. 5 is a second side profile view of the headphone device shown in FIG. 1.

FIG. 6 is a plan view of the headphone device shown in FIG. 1; and,

FIG. 7 is an inverse plan view of the headphone device shown in FIG. 1.

The details shown in broken lines illustrate features that form no part of the claimed design.

1 Claim, 5 Drawing Sheets



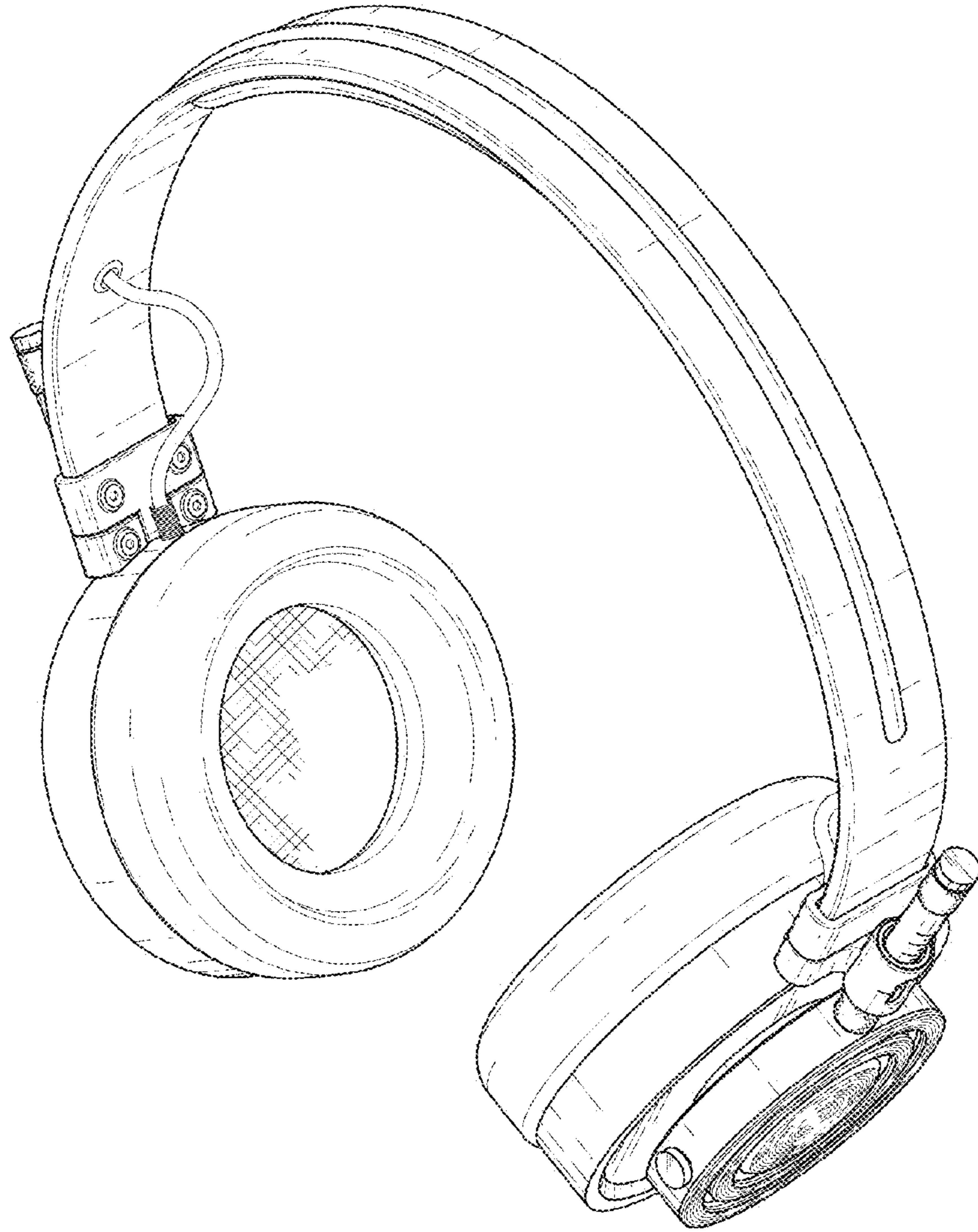


Fig. 1



Fig. 2



Fig. 3

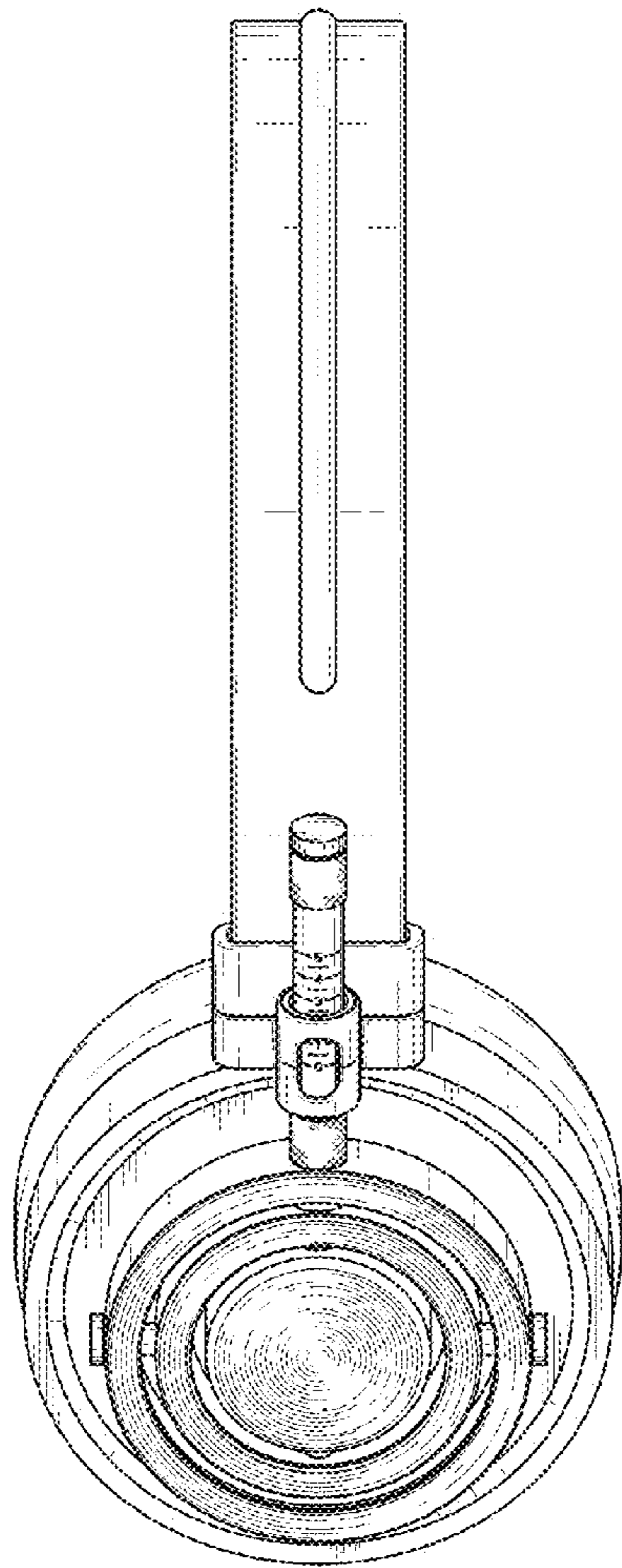


Fig. 4

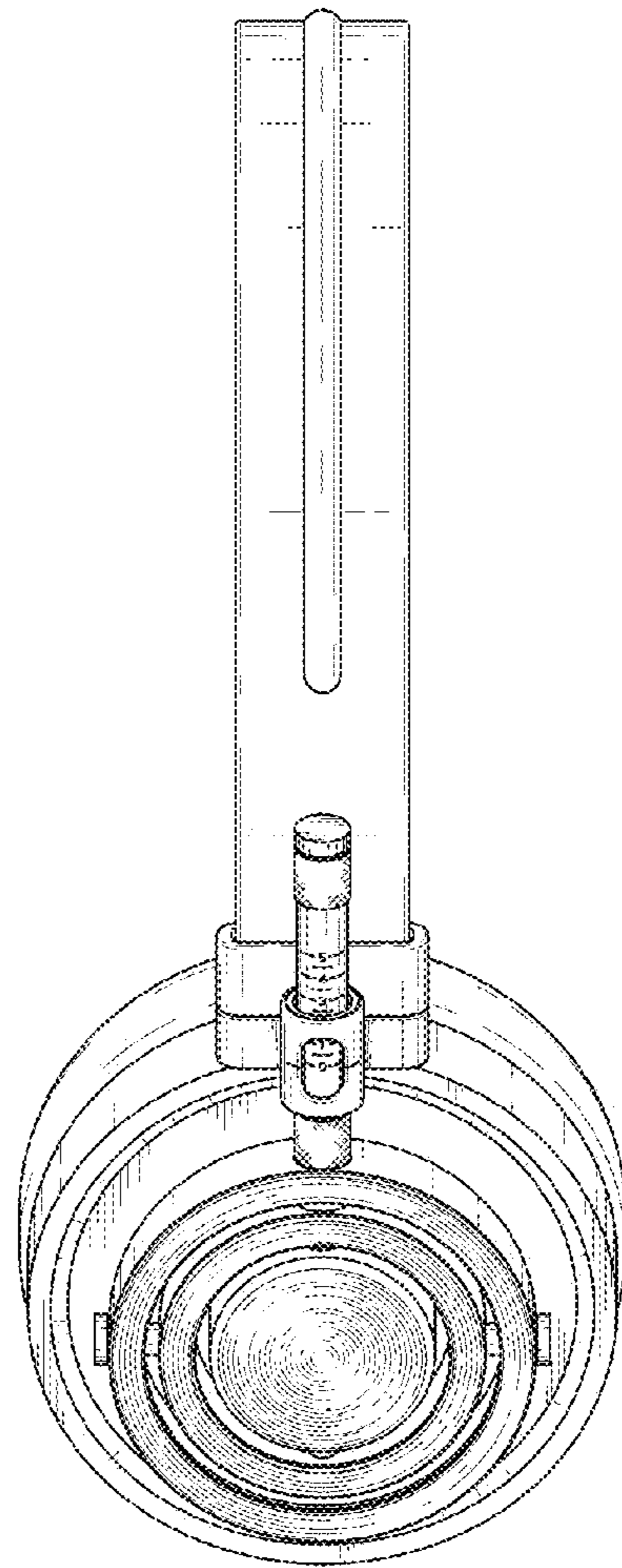


Fig. 5

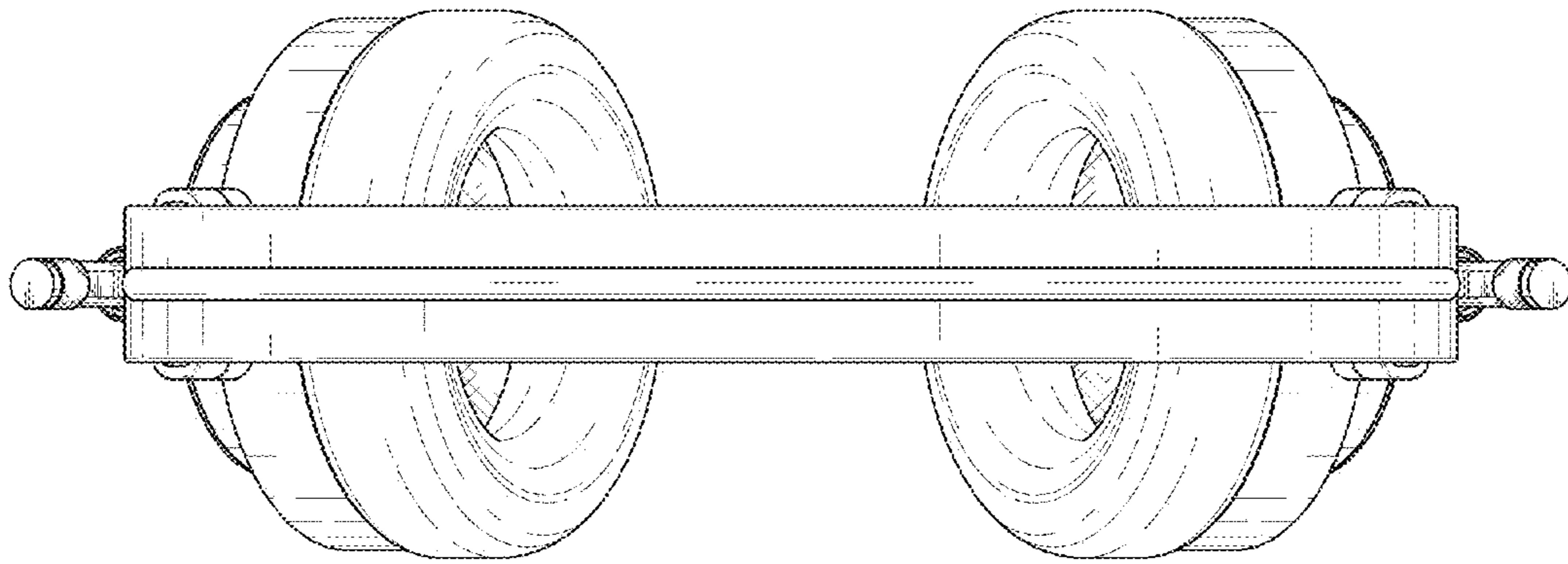


Fig. 6

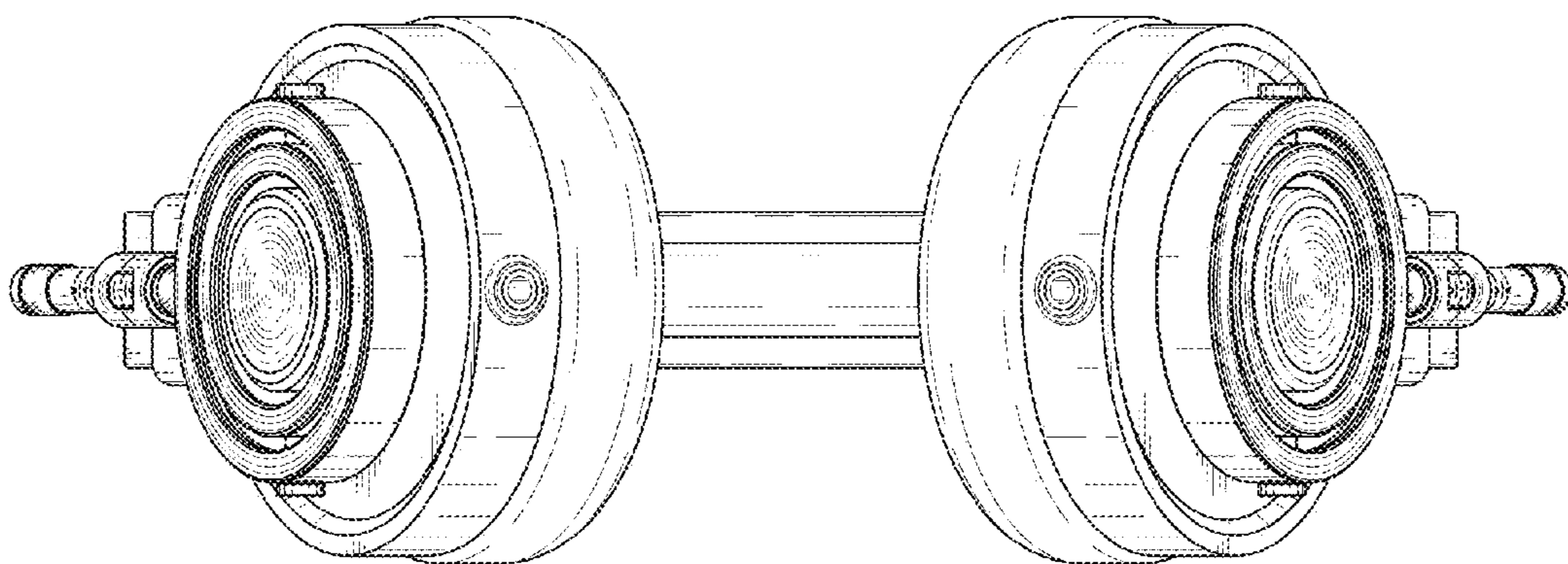


Fig. 7

UNITED STATES PATENT AND TRADEMARK OFFICE
CERTIFICATE OF CORRECTION

PATENT NO. : D727,280 S
APPLICATION NO. : 29/481787
DATED : April 21, 2015
INVENTOR(S) : Jonathan E. Levine

Page 1 of 7

It is certified that error appears in the above-identified patent and that said Letters Patent is hereby corrected as shown below:

Delete title page and substitute therefore with the attached title page consisting of corrected illustrative figures.

Delete Drawing Sheets 1-5 and substitute therefore with the attached Drawing Sheets 1-5.

Signed and Sealed this
Seventeenth Day of May, 2016



Michelle K. Lee
Director of the United States Patent and Trademark Office

(12) **United States Design Patent**
Levine

(10) **Patent No.:** **US D727,280 S**
(45) **Date of Patent:** **** Apr. 21, 2015**

(54) **HEADPHONE DEVICE**

(71) Applicant: **New Audio LLC**, New York, NY (US)

(72) Inventor: **Jonathan E. Levine**, New York, NY (US)

(**) Term: **14 Years**

(21) Appl. No.: **29/481,787**

(22) Filed: **Feb. 10, 2014**

(51) **LOC (10) Cl.** **14-01**

(52) **U.S. Cl.** **D14/205**

(58) **Field of Classification Search**
CPC H04R 1/1066
USPC D14/205; 181/129, 130, 135; 379/430, 379/431; 381/380, 381; 2/209
See application file for complete search history.

(56) **References Cited**

U.S. PATENT DOCUMENTS

1,127,161	A *	2/1915	Baldwin	381/379
1,483,315	A *	2/1924	Saal	381/378
1,489,978	A *	4/1924	Byron	181/129
1,555,997	A *	10/1925	Lidberg	381/378
1,587,409	A *	6/1926	Ouilette	381/379
1,649,551	A *	11/1927	Smith	381/378
2,235,372	A *	3/1941	Kalbitz	381/371
2,394,374	A *	2/1946	Gilman	381/378
2,413,345	A *	12/1946	Gilman	381/379
2,486,267	A *	10/1949	Dulinsky	381/377
D156,329	S *	12/1949	Federico et al.	D14/227
2,782,423	A *	2/1957	Simon et al.	2/209
3,440,663	A *	4/1969	Beguin	2/209
3,488,457	A *	1/1970	Lahti	381/371
3,797,045	A *	3/1974	Aho	2/209
3,922,725	A *	12/1975	Csiki et al.	2/209
4,175,217	A *	11/1979	Williams	379/430
4,472,607	A *	9/1984	Houng	181/18
4,829,571	A *	5/1989	Kakiuchi et al.	381/309
5,233,650	A *	8/1993	Chan	379/430
5,293,647	A *	3/1994	Mirmilshiteyn et al.	2/209
D410,466	S *	6/1999	Mouri	D14/205
D413,550	S *	9/1999	Otterson et al.	D12/1

D431,550	S *	10/2000	Yoneda	D14/205
D432,522	S *	10/2000	Kieltyka et al.	D14/216
D484,485	S *	12/2003	Matsuoka	D14/205
D508,483	S *	8/2005	Suzuki	D14/223
D514,087	S *	1/2006	Wilson et al.	D14/206
D517,527	S *	3/2006	Suzuki	D14/205
D560,654	S *	1/2008	Feng et al.	D14/205
D567,215	S *	4/2008	Lee	D14/205
7,388,960	B2 *	6/2008	Kuo et al.	381/186
7,457,649	B1 *	11/2008	Wilson	455/575.2
D620,474	S *	7/2010	Komiyama	D14/205
D633,895	S *	3/2011	Morimoto	D14/205
D635,958	S *	4/2011	Ando et al.	D14/205
D708,162	S *	7/2014	Wenger et al.	D14/205
D712,872	S *	9/2014	Yuen	D14/205
2005/0105755	A1 *	5/2005	Yueh	381/371

* cited by examiner

Primary Examiner — Paula Greene

(74) Attorney, Agent, or Firm — Perkins Coie LLP

(57) **CLAIM**

The ornamental design for a headphone device, as shown and described.

DESCRIPTION

FIG. 1 is a perspective view of an embodiment of a headphone device showing my new design, as viewed from the top and front.

FIG. 2 is a front profile view of the headphone device shown in FIG. 1.

FIG. 3 is a back profile view of the headphone device shown in FIG. 1.

FIG. 4 is a first side profile view of the headphone device shown in FIG. 1.

FIG. 5 is a second side profile view of the headphone device shown in FIG. 1.

FIG. 6 is a plan view of the headphone device shown in FIG. 1; and,

FIG. 7 is an inverse plan view of the headphone device shown in FIG. 1.

The details shown in broken lines illustrate features that form no part of the claimed design.

1 Claim, 5 Drawing Sheets

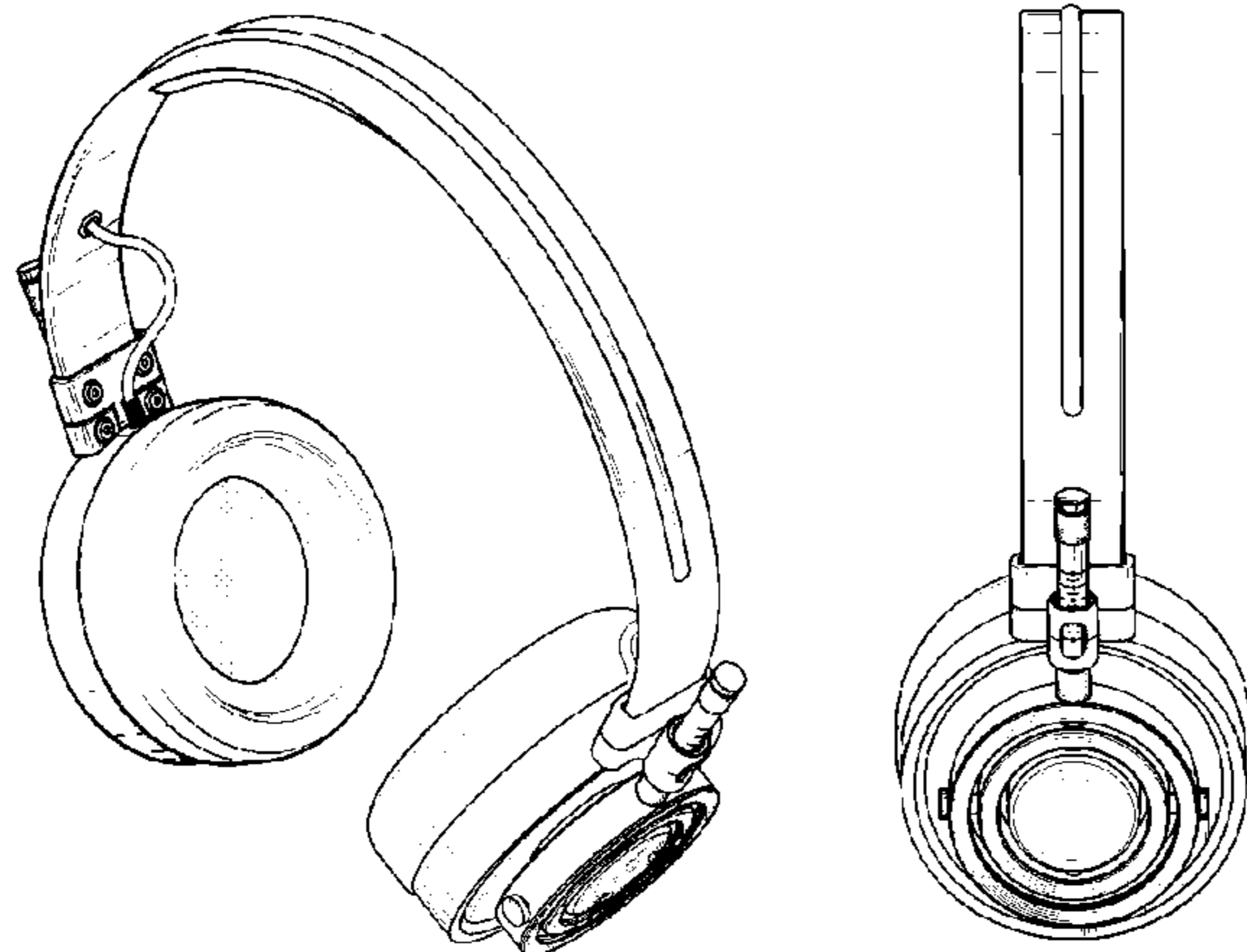




Fig. 1



Fig. 2



Fig. 3

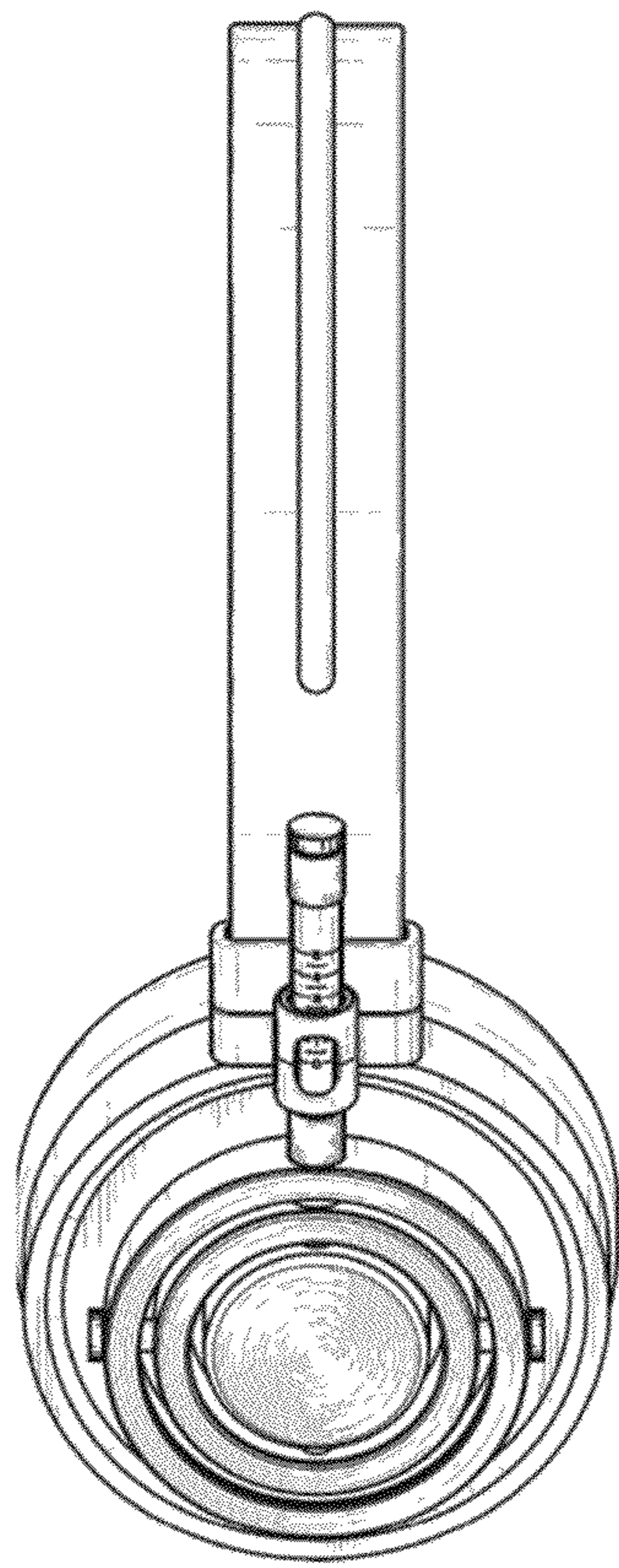


Fig. 4

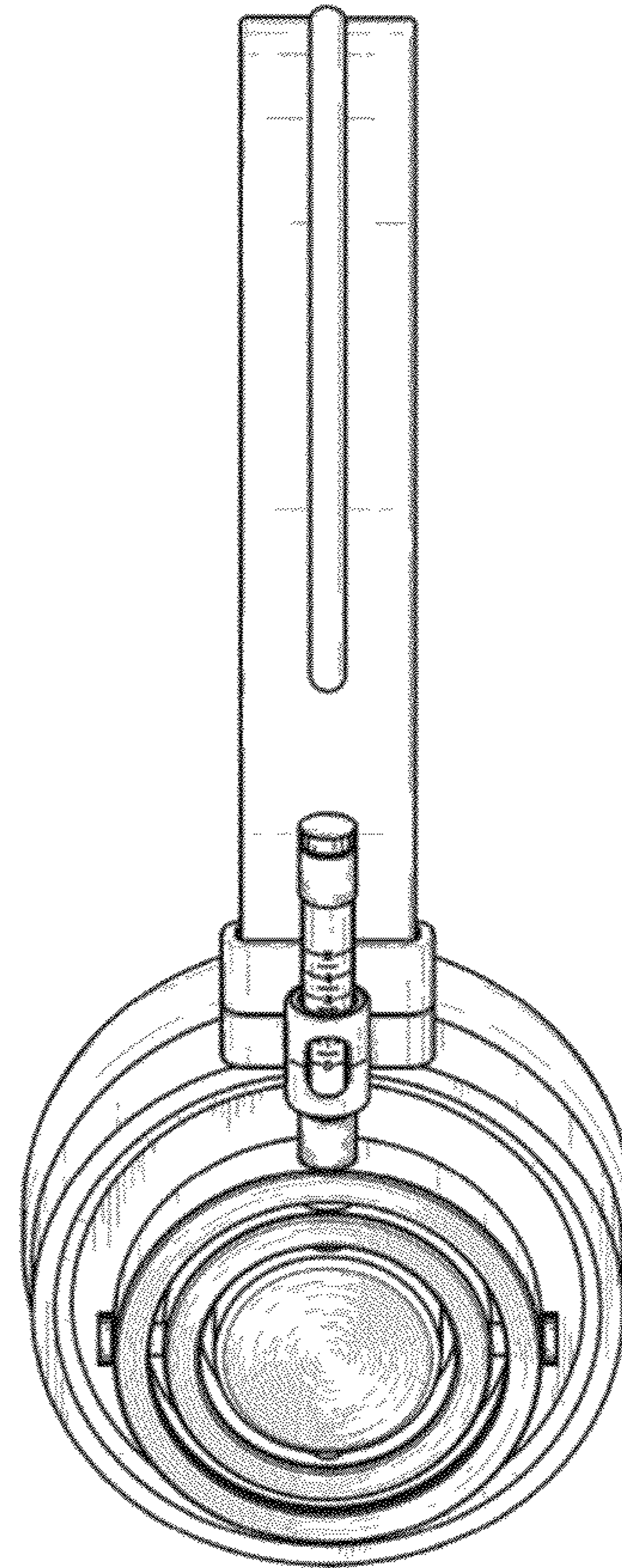


Fig. 5

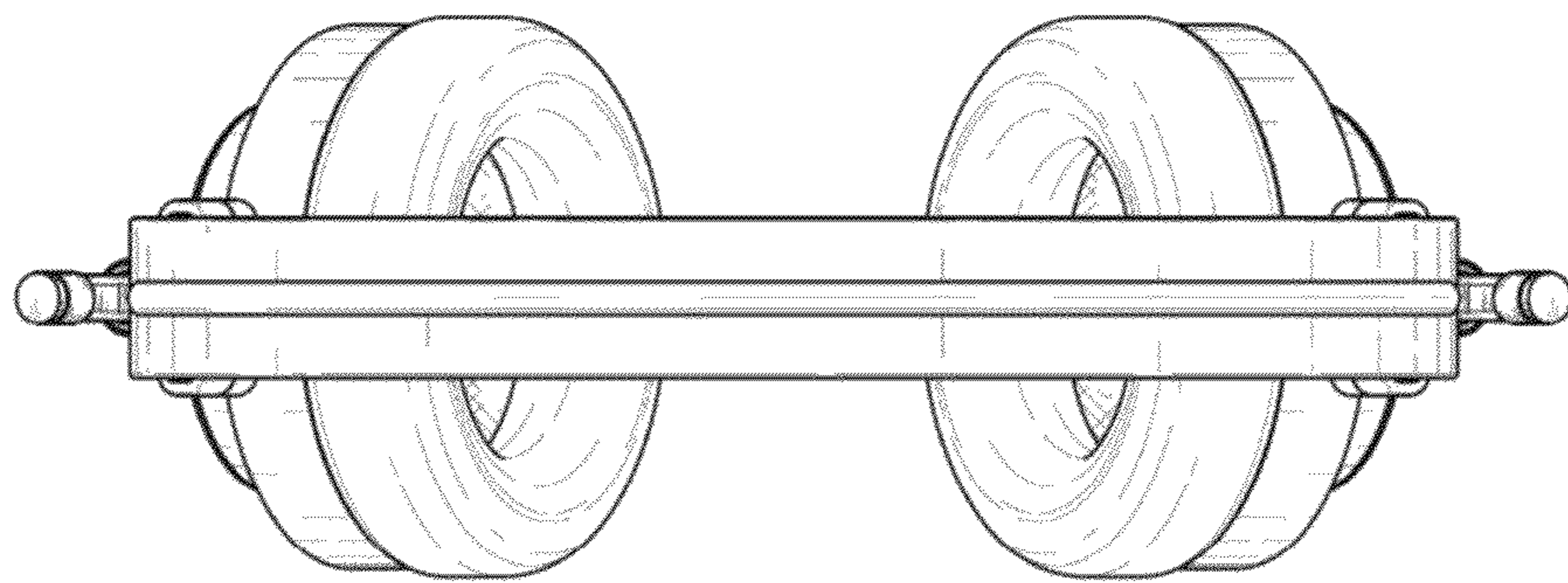


Fig. 6

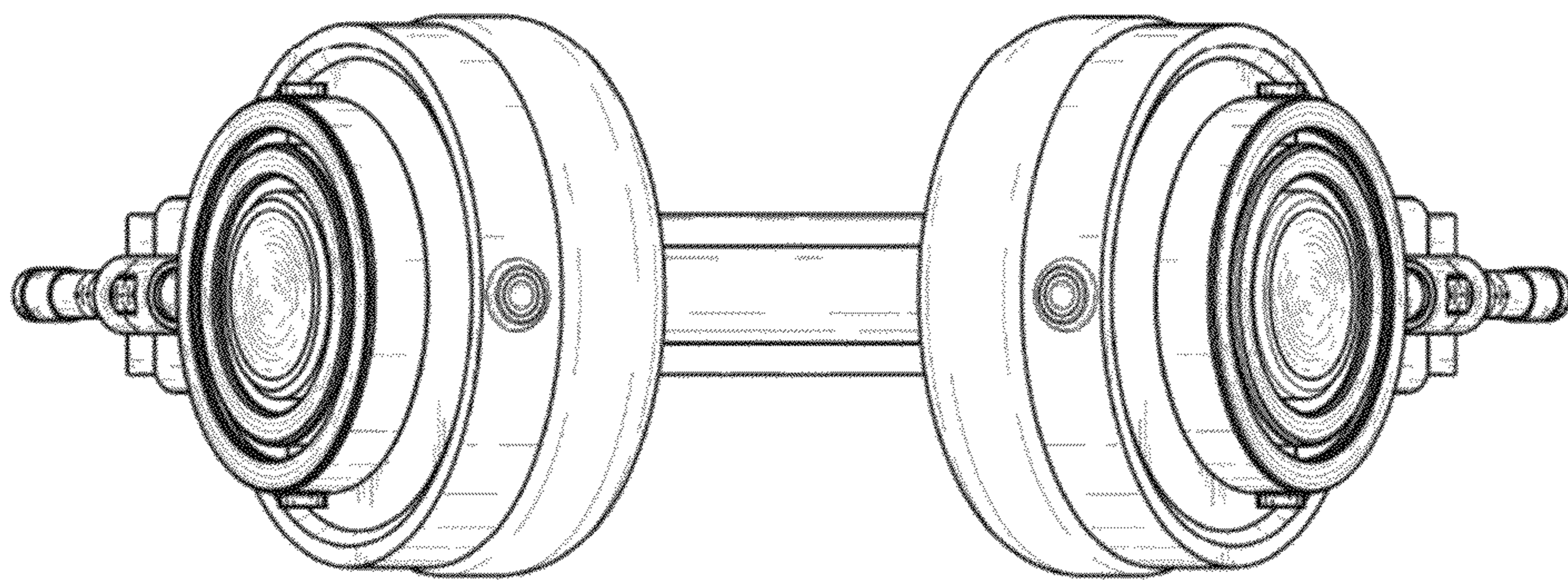


Fig. 7