



US00D727278S

(12) **United States Design Patent**  
**Solomon et al.**

(10) **Patent No.:** **US D727,278 S**  
(45) **Date of Patent:** **\*\* Apr. 21, 2015**

(54) **HEADPHONES WITH A REMOVABLE HEADBAND PAD**

(71) Applicant: **Marblue, Inc.**, Hollywood, FL (US)

(72) Inventors: **Peter Solomon**, Hollywood, FL (US);  
**Christopher Piedra**, Hollywood, FL (US); **Juan Galindo**, Hollywood, FL (US)

(73) Assignee: **Marware Inc**, Hollywood, FL (US)

(\*\*) Term: **14 Years**

(21) Appl. No.: **29/473,142**

(22) Filed: **Nov. 19, 2013**

(51) **LOC (10) Cl.** ..... **14-01**

(52) **U.S. Cl.**  
USPC ..... **D14/205**

(58) **Field of Classification Search**  
CPC ..... H04R 1/1066  
USPC ..... D14/205, 206, 223; D29/112; D2/894;  
181/129, 130, 135; 379/430, 431;  
381/380, 381, 370, 374; 455/90.3,  
455/575.1

See application file for complete search history.

(56) **References Cited**

**U.S. PATENT DOCUMENTS**

|          |   |   |         |                 |       |         |
|----------|---|---|---------|-----------------|-------|---------|
| D228,352 | S | * | 9/1973  | Itagaki         | ..... | D14/205 |
| D229,833 | S | * | 1/1974  | Becker          | ..... | D14/205 |
| D254,183 | S | * | 2/1980  | Doodson         | ..... | D14/205 |
| D270,634 | S | * | 9/1983  | Ungar           | ..... | D14/205 |
| D313,092 | S | * | 12/1990 | Nilsson         | ..... | D29/112 |
| D351,390 | S | * | 10/1994 | Urella et al.   | ..... | D14/223 |
| D386,181 | S | * | 11/1997 | Fisher          | ..... | D14/205 |
| D398,309 | S | * | 9/1998  | Bergin et al.   | ..... | D14/206 |
| D453,015 | S | * | 1/2002  | Yuyama          | ..... | D14/205 |
| D457,874 | S | * | 5/2002  | Yoneda          | ..... | D14/205 |
| D476,639 | S | * | 7/2003  | Bergeron et al. | ..... | D14/205 |
| D484,485 | S | * | 12/2003 | Matsuoka        | ..... | D14/205 |

|           |    |   |         |                    |       |         |
|-----------|----|---|---------|--------------------|-------|---------|
| D491,163  | S  | * | 6/2004  | Green              | ..... | D14/205 |
| D531,165  | S  | * | 10/2006 | Rath               | ..... | D14/206 |
| 7,114,823 | B2 | * | 10/2006 | McCullough et al.  | ..... | 362/105 |
| D534,155  | S  | * | 12/2006 | Obata              | ..... | D14/205 |
| D540,301  | S  | * | 4/2007  | Obata              | ..... | D14/205 |
| D540,302  | S  | * | 4/2007  | Hagiwara et al.    | ..... | D14/205 |
| D552,077  | S  | * | 10/2007 | Brunner et al.     | ..... | D14/205 |
| D560,654  | S  | * | 1/2008  | Feng               | ..... | D14/205 |
| D582,890  | S  | * | 12/2008 | Koza et al.        | ..... | D14/205 |
| D589,492  | S  | * | 3/2009  | Mistry             | ..... | D14/205 |
| 7,735,154 | B2 | * | 6/2010  | Gellis et al.      | ..... | 2/209   |
| D623,167  | S  | * | 9/2010  | Hildebrandt et al. | ..... | D14/205 |
| D632,668  | S  | * | 2/2011  | Brunner et al.     | ..... | D14/205 |
| D635,959  | S  | * | 4/2011  | Hutchieson         | ..... | D14/205 |
| D652,406  | S  | * | 1/2012  | Lee et al.         | ..... | D14/205 |

(Continued)

*Primary Examiner* — Paula Greene

(74) *Attorney, Agent, or Firm* — Laurence A. Greenberg;  
Werner H. Stemer; Ralph E. Locher

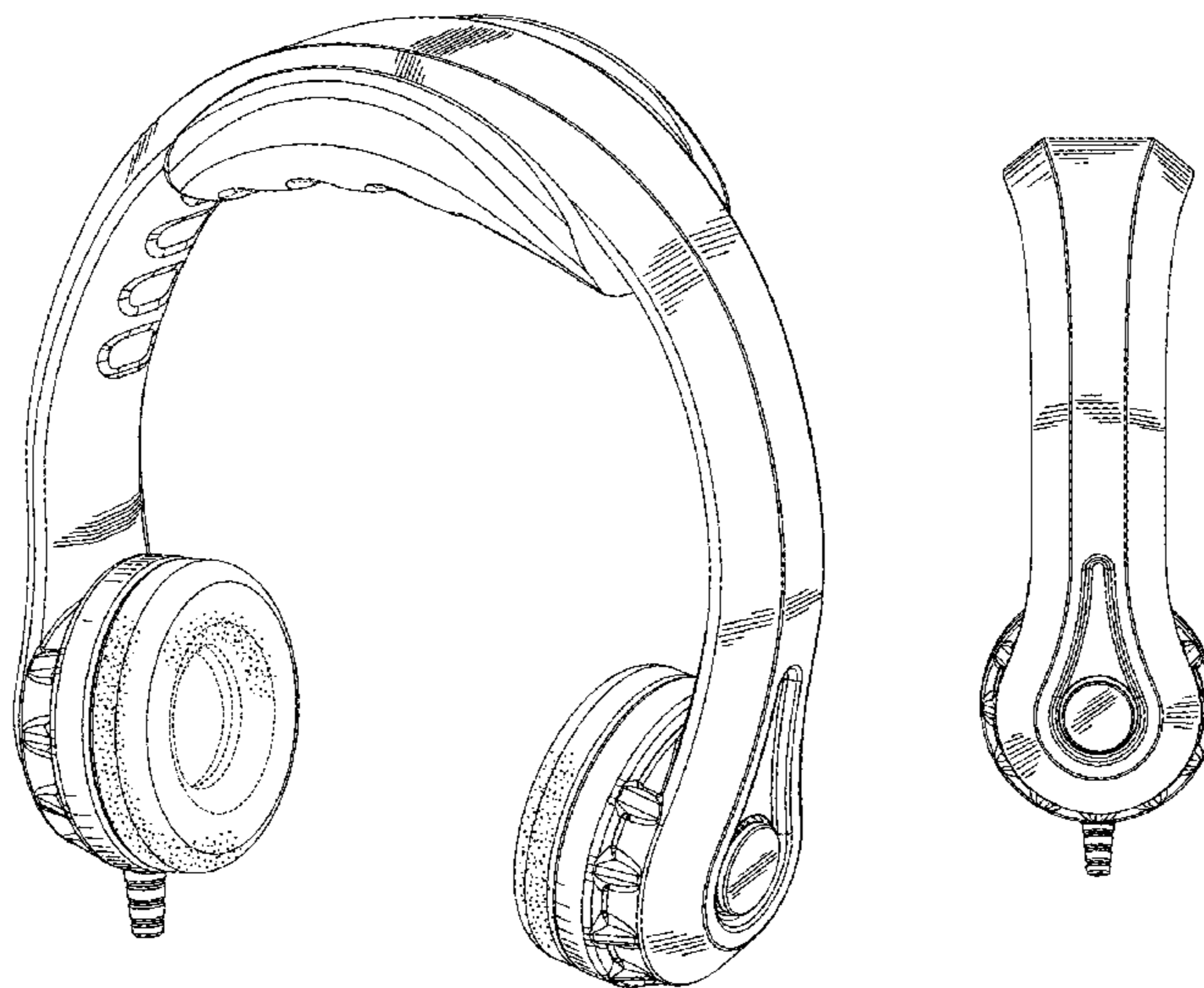
(57) **CLAIM**

The ornamental design for headphones with a removable headband pad, as shown and described.

**DESCRIPTION**

FIG. 1 is a top, front, and side perspective view of our new headphones, showing our new design;  
FIG. 2 is a similar view with the headband pad partly removed from the upper headband arc;  
FIG. 3 is a perspective view at a slightly steeper angle;  
FIG. 4 is a top plan view thereof;  
FIG. 5 is front elevation view thereof, the rear elevation being a substantial mirror image thereof;  
FIG. 6 is a right side elevation view thereof;  
FIG. 7 is a plan view of the removable headband pad shown separately for purposes of illustration;  
FIG. 8 is a top perspective view thereof;  
FIG. 9 is a side elevation view thereof; and,  
FIG. 10 is a front elevation view thereof.  
The broken lines form no part of the claimed design.

**1 Claim, 4 Drawing Sheets**



(56)

**References Cited**

U.S. PATENT DOCUMENTS

|              |        |                |       |         |              |         |                |       |         |
|--------------|--------|----------------|-------|---------|--------------|---------|----------------|-------|---------|
| D657,344 S * | 4/2012 | Brunner et al. | ..... | D14/205 | D674,767 S * | 1/2013  | Brunner et al. | ..... | D14/205 |
| D657,345 S * | 4/2012 | Brunner et al. | ..... | D14/205 | D677,648 S * | 3/2013  | Lee et al.     | ..... | D14/206 |
| D660,823 S * | 5/2012 | Hardi et al.   | ..... | D14/205 | D689,463 S * | 9/2013  | Hardi et al.   | ..... | D14/205 |
| D660,824 S * | 5/2012 | Hardi et al.   | ..... | D14/205 | D695,263 S * | 12/2013 | Mogili         | ..... | D14/205 |
| D663,716 S * | 7/2012 | Hardi et al.   | ..... | D14/205 | D696,226 S * | 12/2013 | Brunner et al. | ..... | D14/205 |
|              |        |                |       |         | D702,210 S * | 4/2014  | Birger         | ..... | D14/205 |
|              |        |                |       |         | D711,348 S * | 8/2014  | Yang           | ..... | D14/205 |

\* cited by examiner

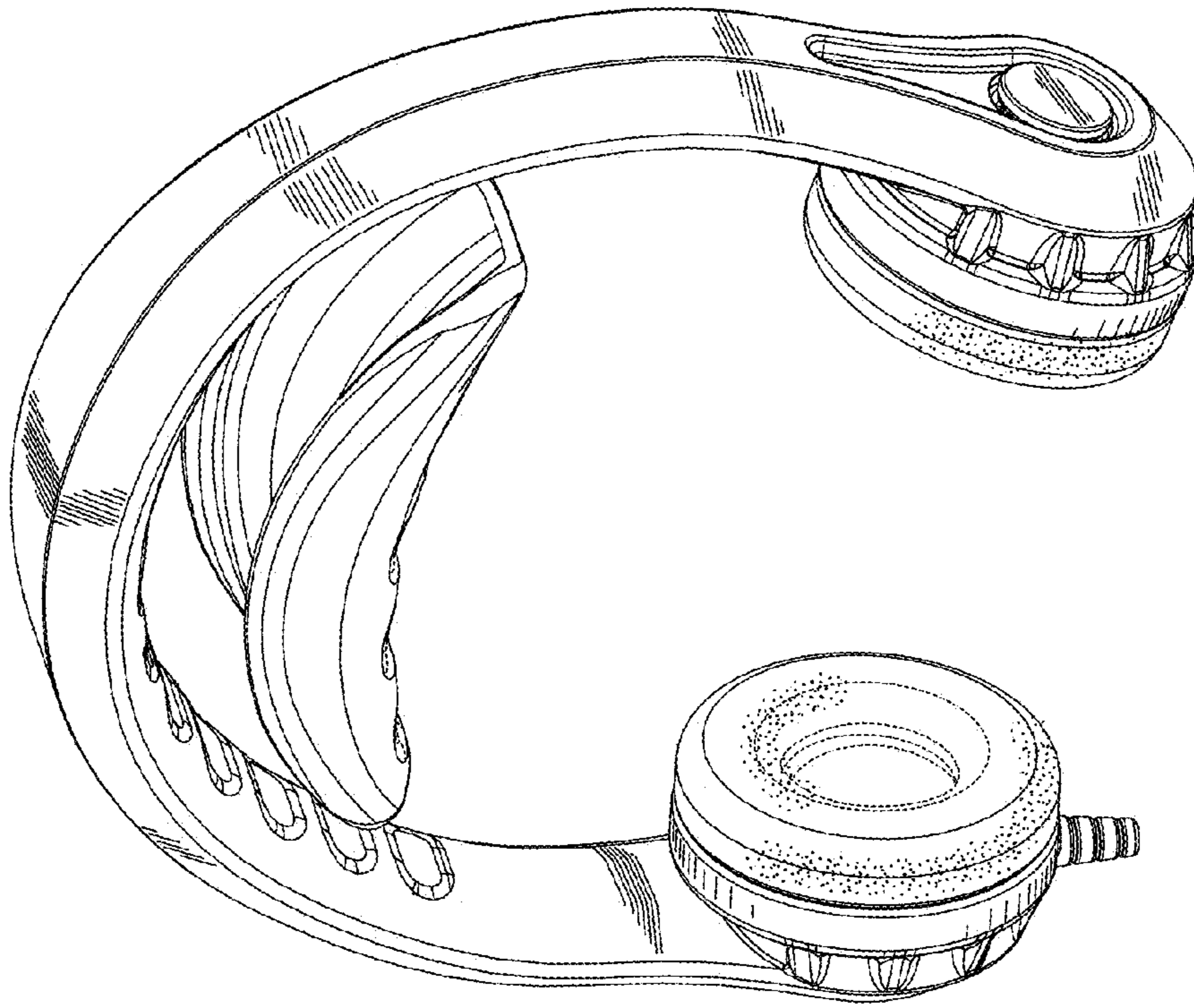


FIG. 2

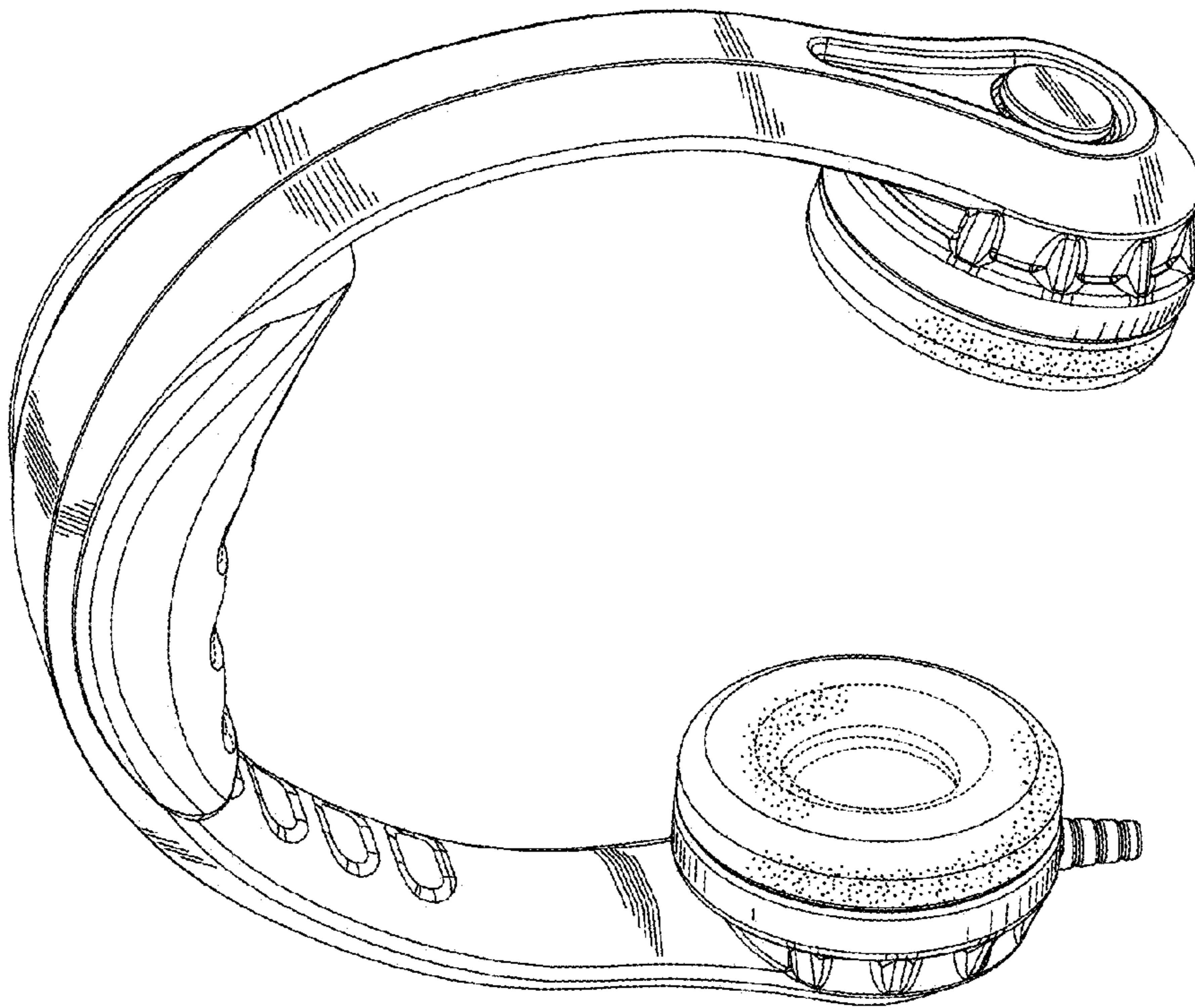


FIG. 1

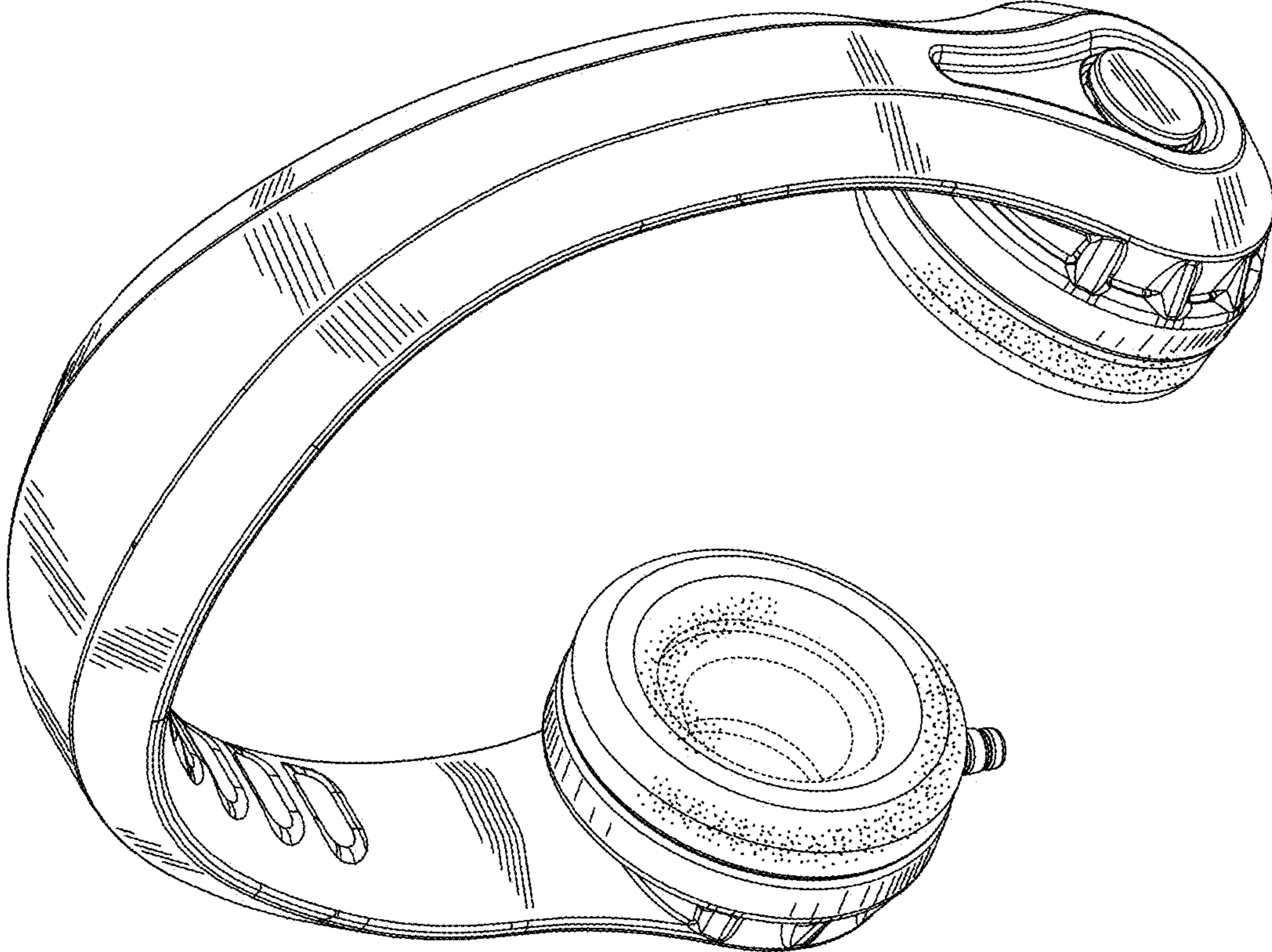


FIG. 3

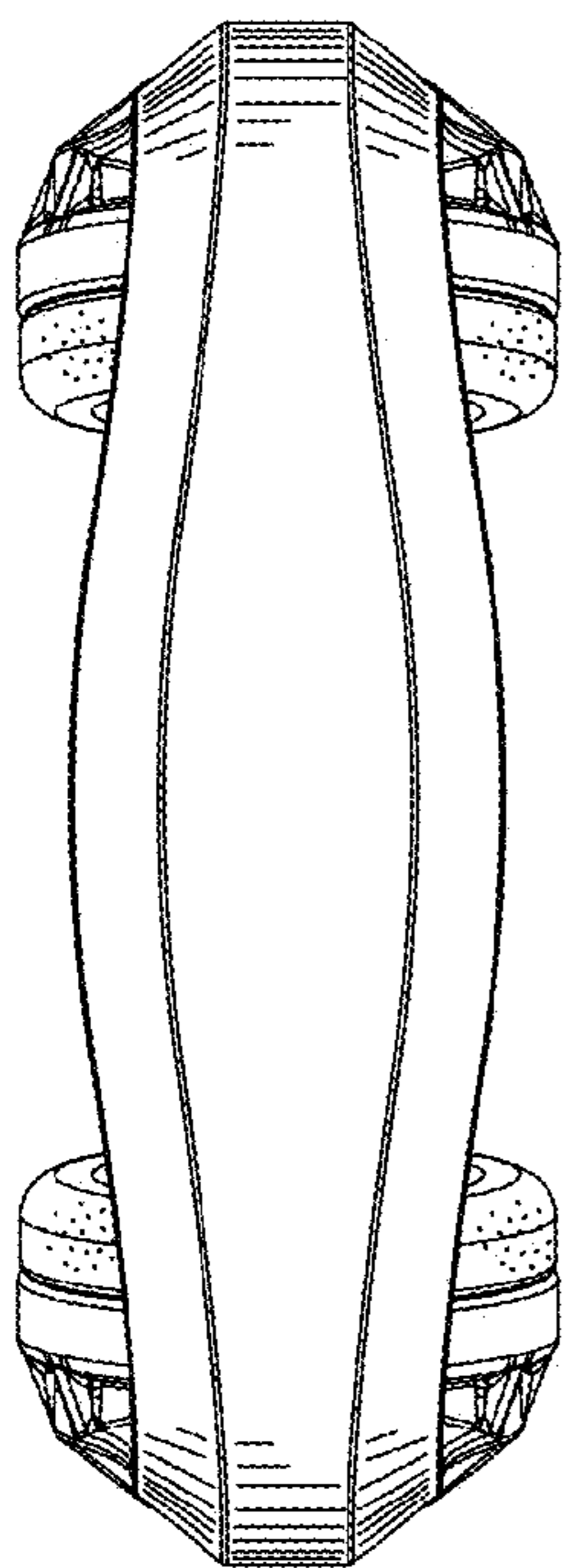


FIG. 4

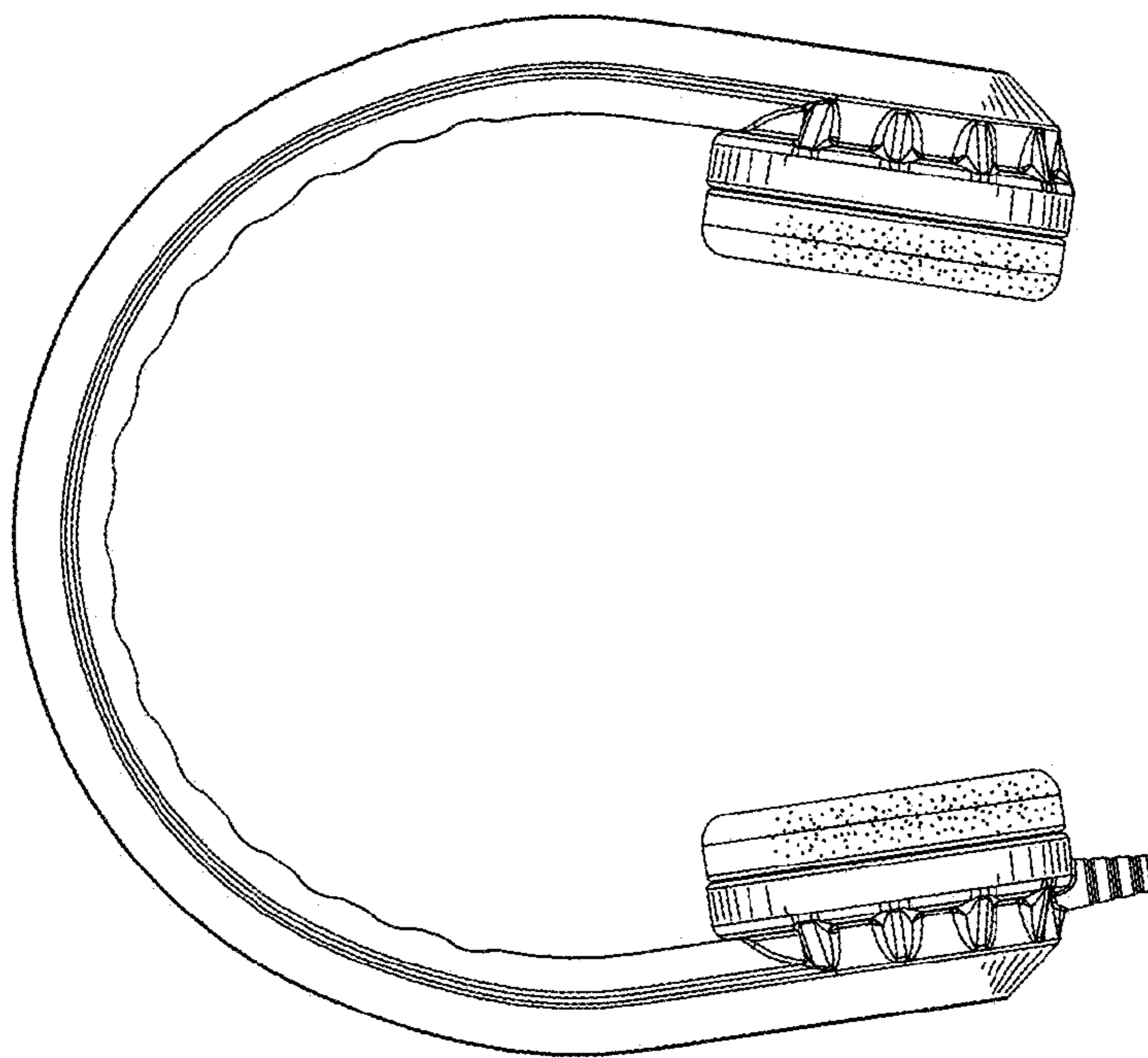


FIG. 5

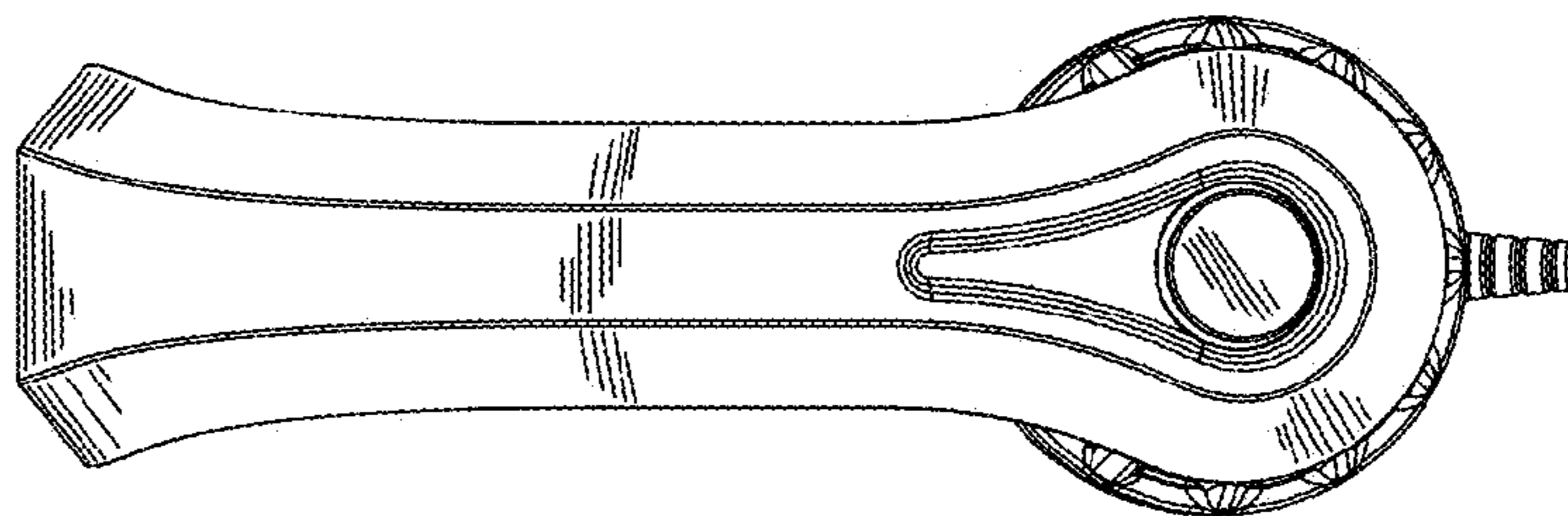


FIG. 6

FIG. 8

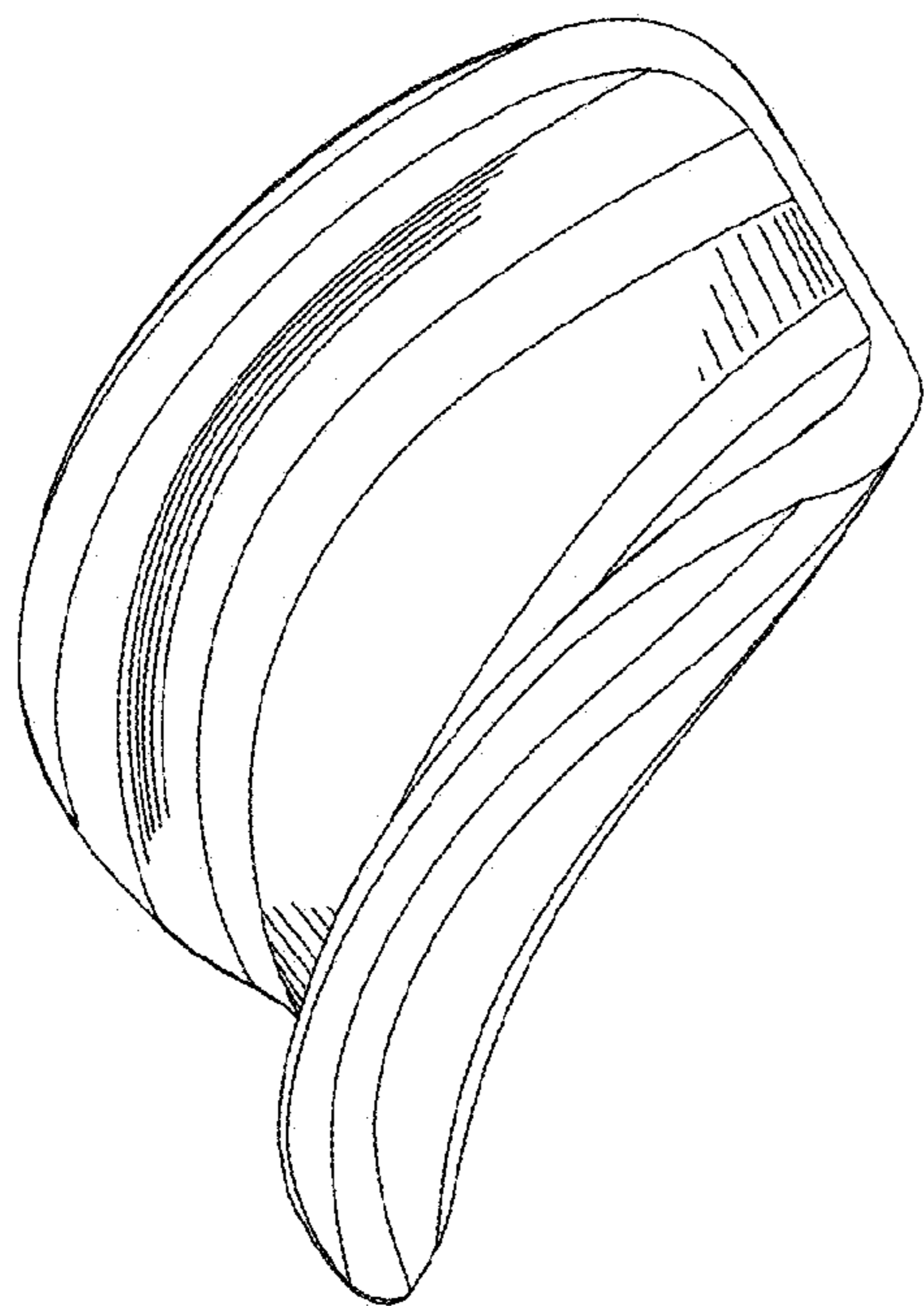


FIG. 10

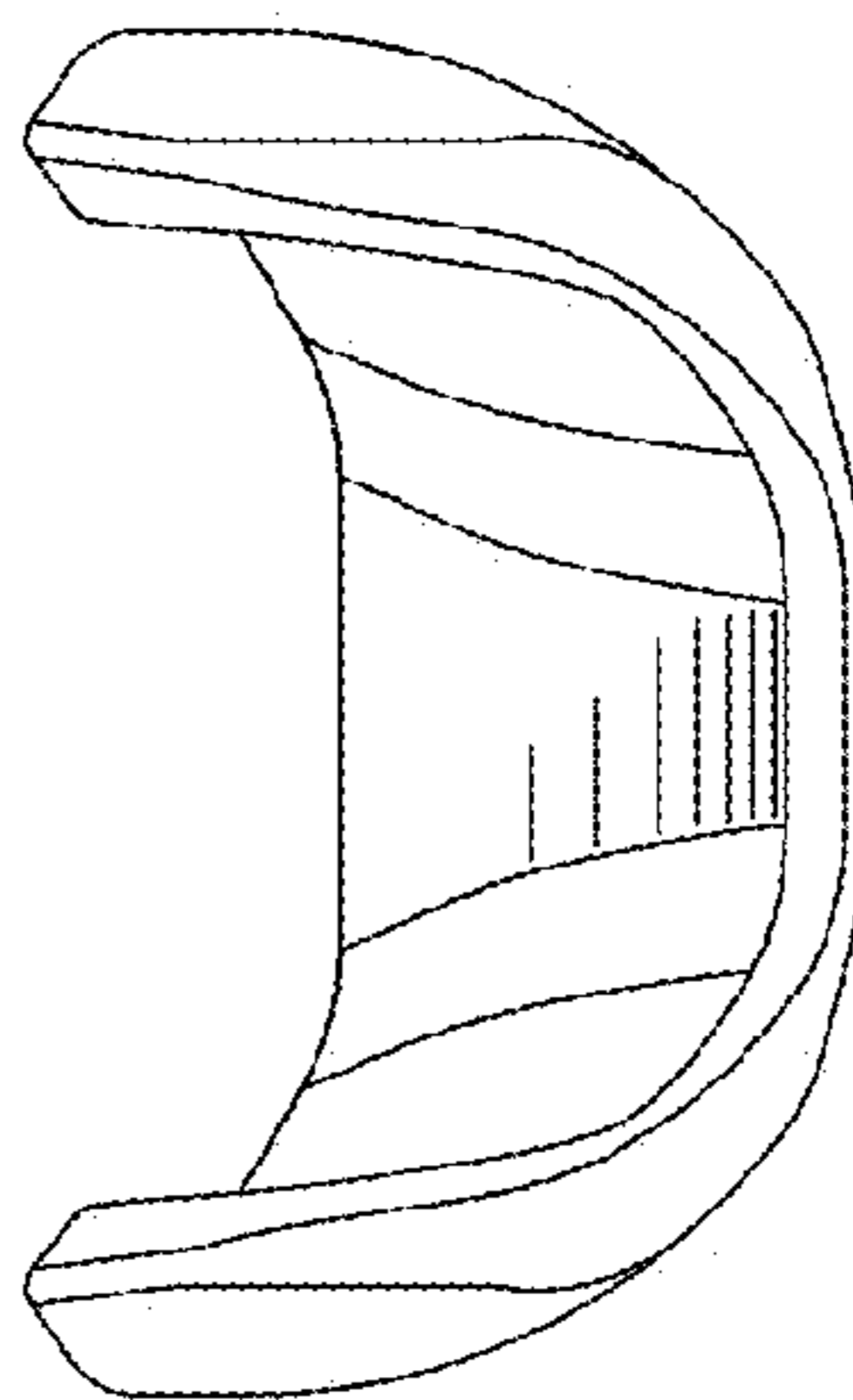


FIG. 7

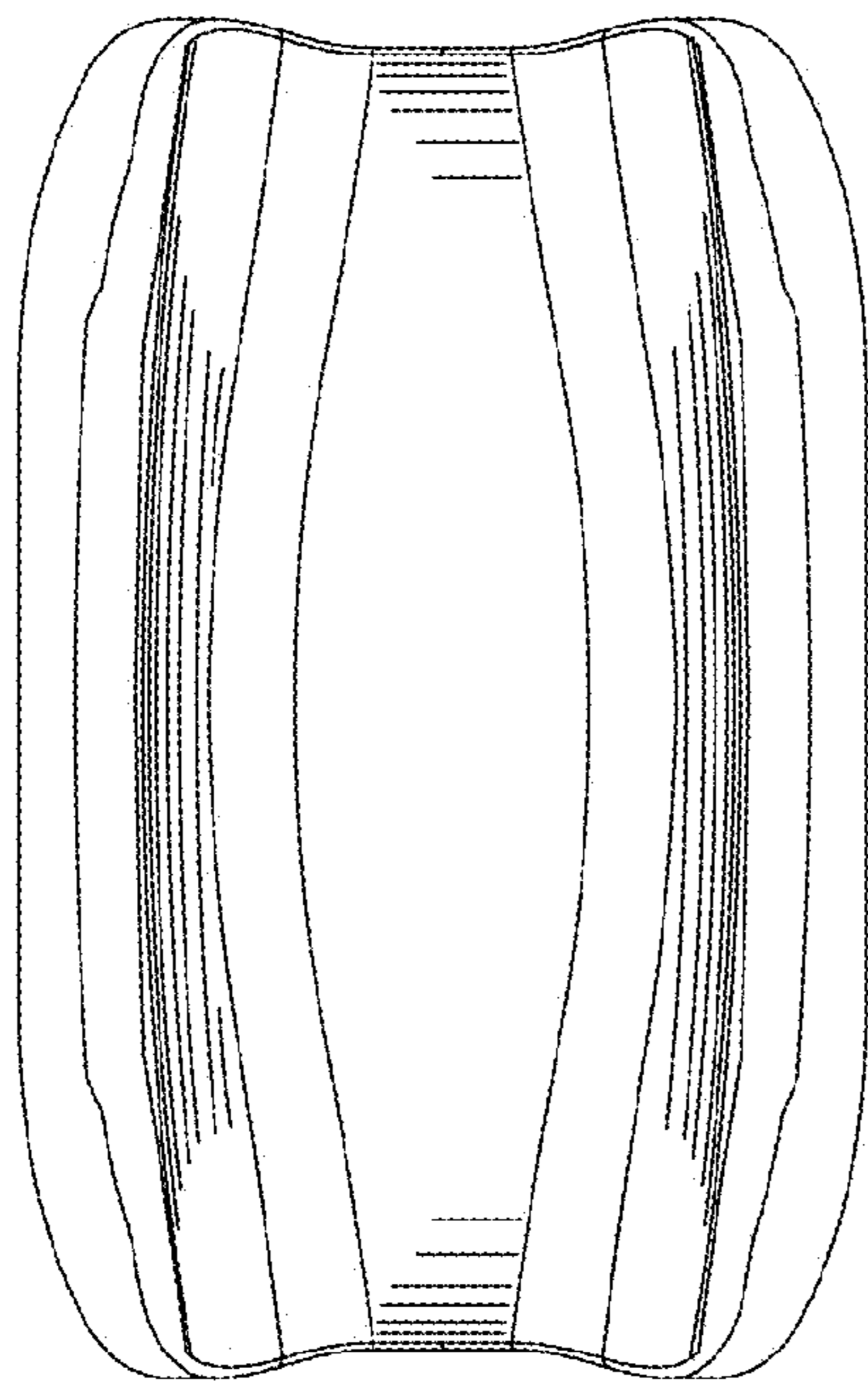


FIG. 9

