



US00D727277S

(12) **United States Design Patent**
Fujioka

(10) **Patent No.:** **US D727,277 S**
(45) **Date of Patent:** **** Apr. 21, 2015**

(54) **BABY MONITOR**

(71) Applicant: **Robb Fujioka**, Manhattan Beach, CA
(US)

(72) Inventor: **Robb Fujioka**, Manhattan Beach, CA
(US)

(73) Assignee: **Fuhu Holdings, Inc.**, El Segundo, CA
(US)

(**) Term: **14 Years**

(21) Appl. No.: **29/465,153**

(22) Filed: **Aug. 23, 2013**

(51) **LOC (10) Cl.** **14-03**

(52) **U.S. Cl.**
USPC **D14/159**

(58) **Field of Classification Search**
USPC D14/167, 154, 168, 188, 496, 156, 160,
D14/161, 162, 163, 164, 165, 158, 253, 192,
D14/159, 155, 138 AB, 137, 104.1; 455/351,
455/350, 353; D10/104, 106, 65, 78;
340/573.4, 573.1
See application file for complete search history.

(56) **References Cited**

U.S. PATENT DOCUMENTS

D347,218 S * 5/1994 Shuler D14/137
D371,781 S * 7/1996 Nowak et al. D14/137

D394,656 S * 5/1998 Kato et al. D14/159
D490,396 S * 5/2004 Yamaguchi et al. D14/159
D579,913 S * 11/2008 Lamason D14/159
D618,659 S * 6/2010 Su D14/159
D637,174 S * 5/2011 Elkerbout D14/159
D649,135 S * 11/2011 Hocherman et al. D14/159
D656,478 S * 3/2012 Barley et al. D14/159
D665,767 S * 8/2012 Hancock D14/159
D666,576 S * 9/2012 Marsh D14/159
D668,239 S * 10/2012 Marsh D14/159
D679,676 S * 4/2013 Sharp D14/159
D681,600 S * 5/2013 Gebski D14/159
D681,601 S * 5/2013 Gebski D14/159
D689,037 S * 9/2013 Sumi et al. D14/159

* cited by examiner

Primary Examiner — Austin Murphy

(74) *Attorney, Agent, or Firm* — Steptoe & Johnson LLP

(57) **CLAIM**

The ornamental design for an baby monitor, as shown and described.

DESCRIPTION

FIG. 1 is a top, front, ride side, perspective view of the present invention;

FIG. 2 is top plan view of the present invention;

FIG. 3 is a bottom plan view of the present invention;

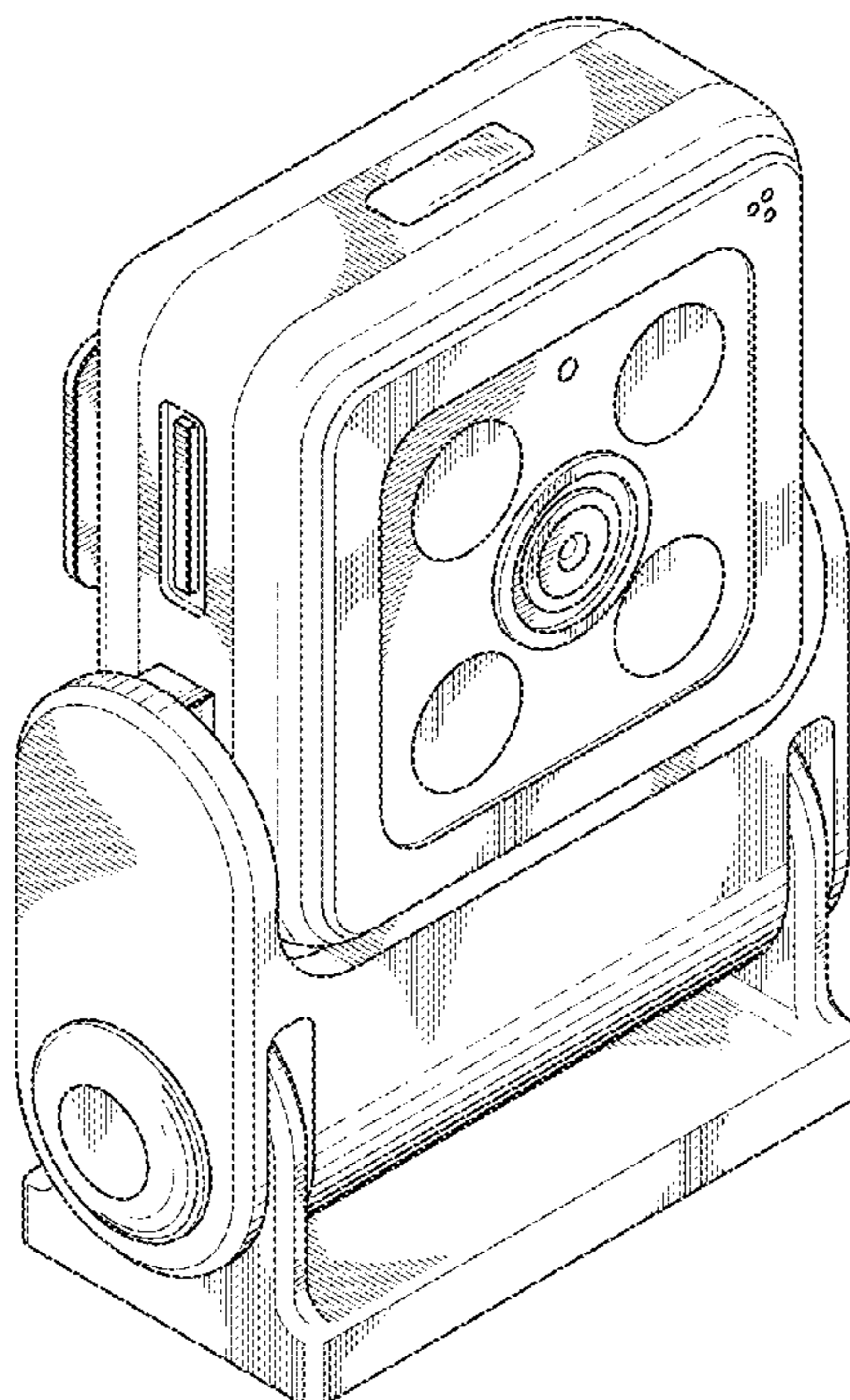
FIG. 4 is a front elevation view;

FIG. 5 is a rear elevation view of the present invention;

FIG. 6 is a right side of the present invention; and,

FIG. 7 is a left side view of the present invention.

1 Claim, 3 Drawing Sheets



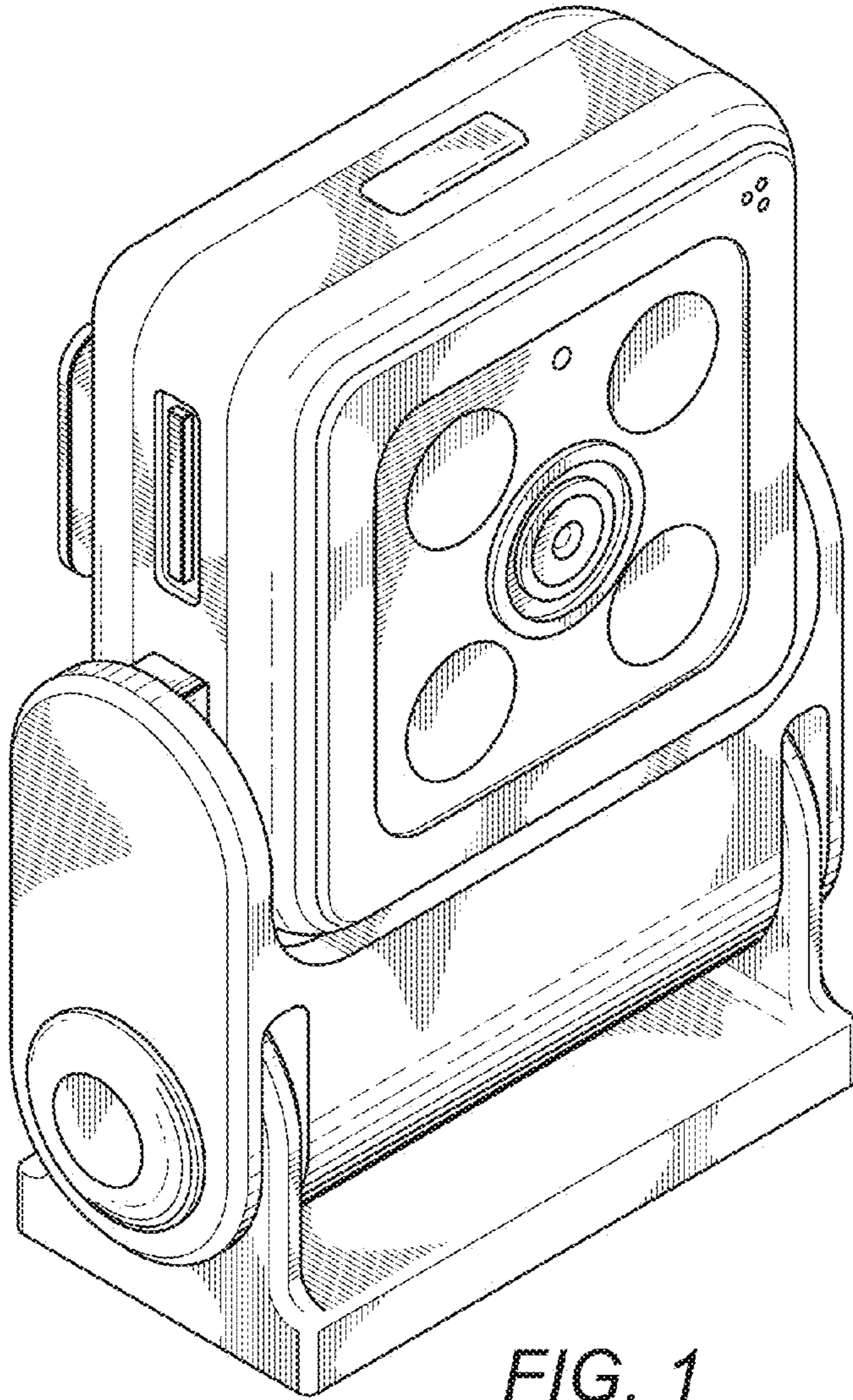
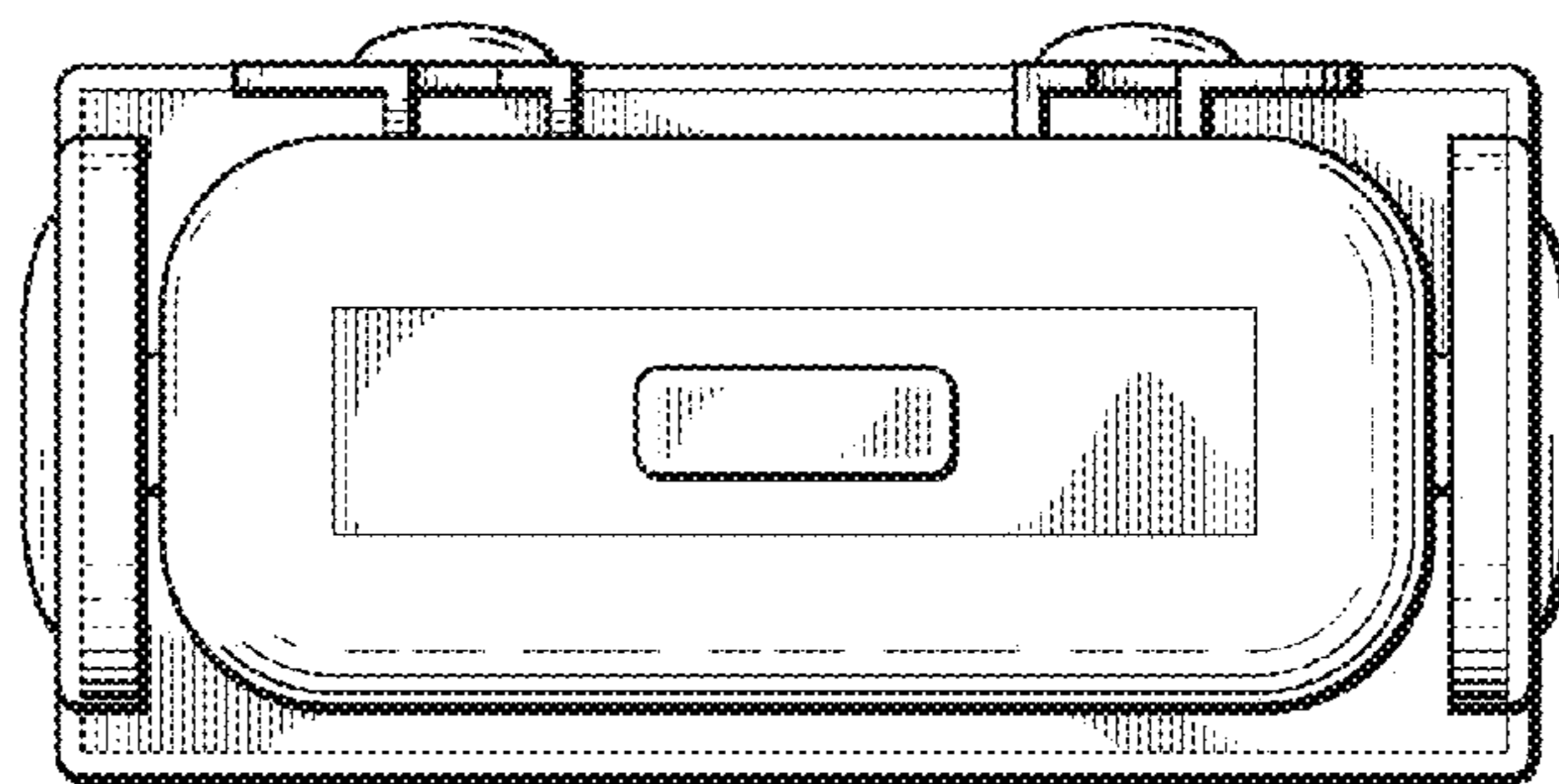


FIG. 1

FIG. 2



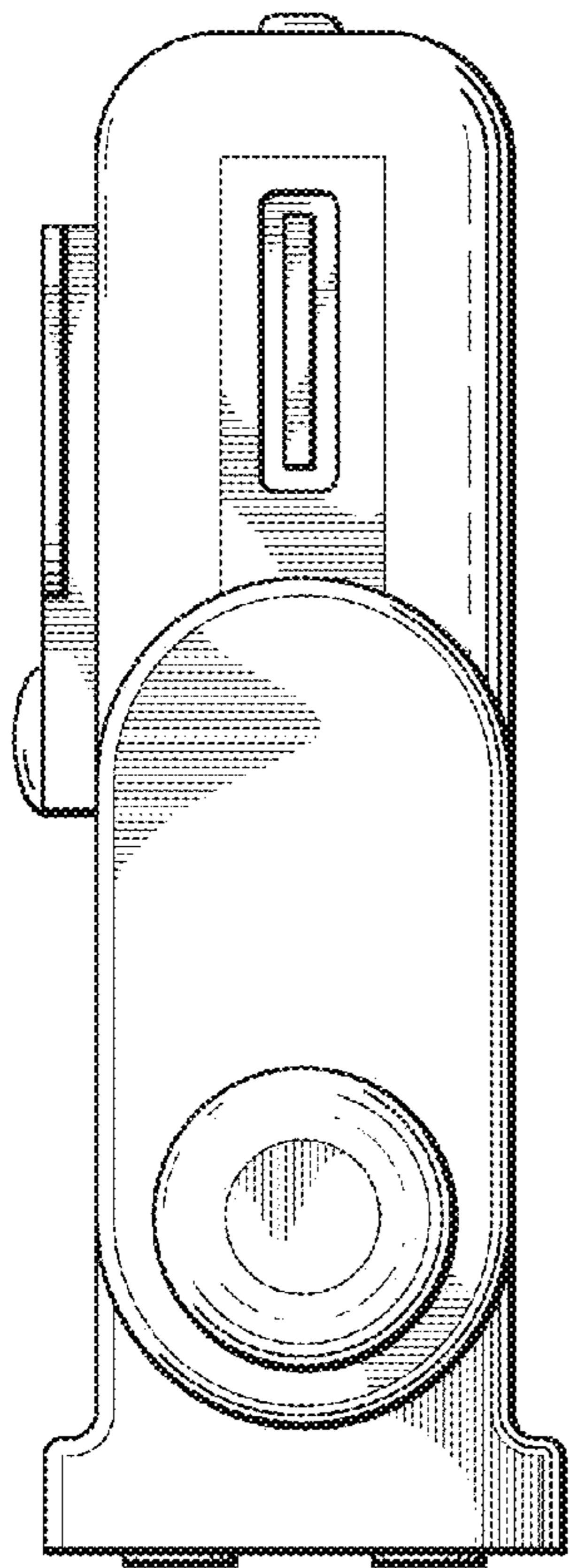


FIG. 6

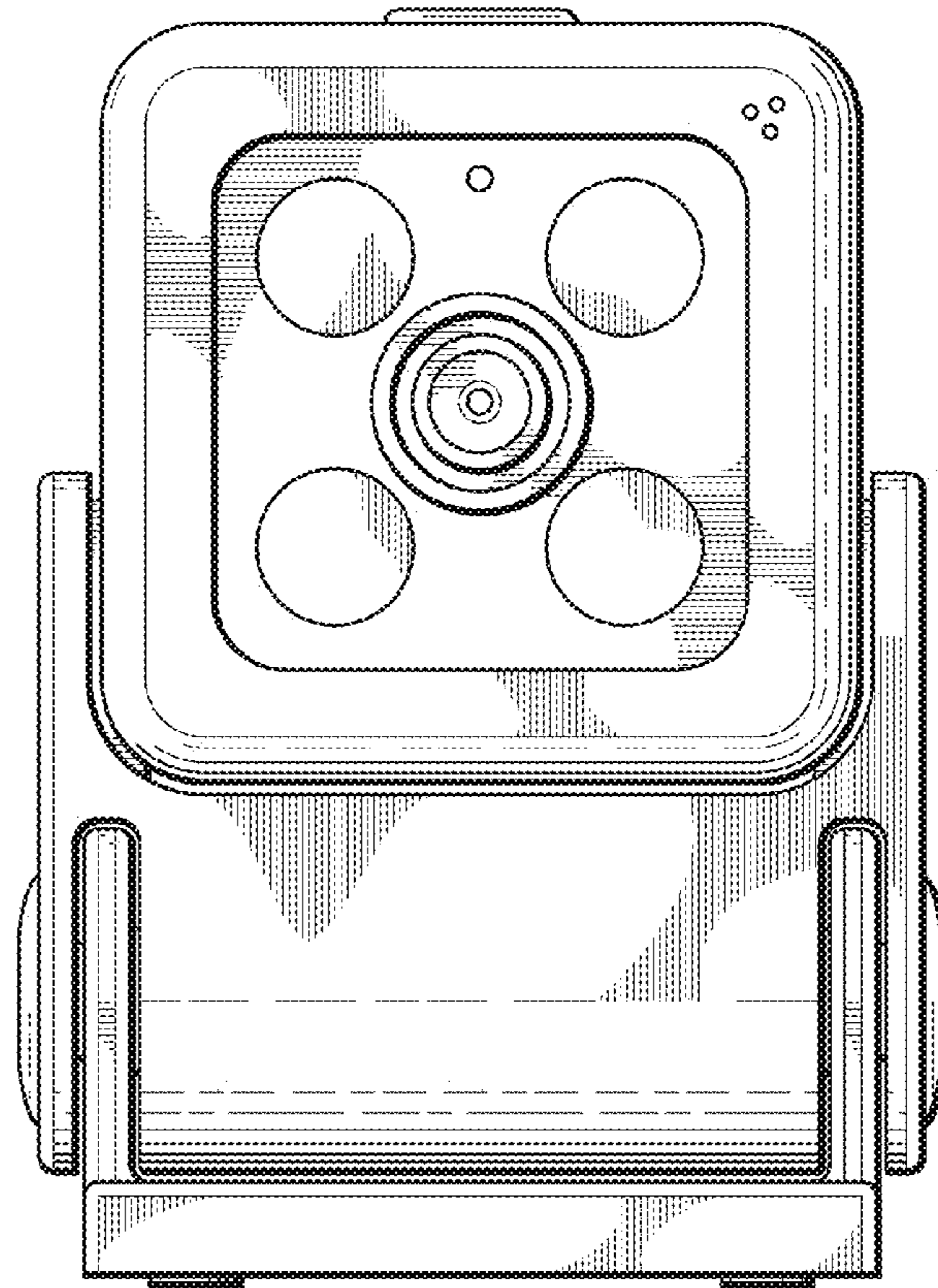


FIG. 4

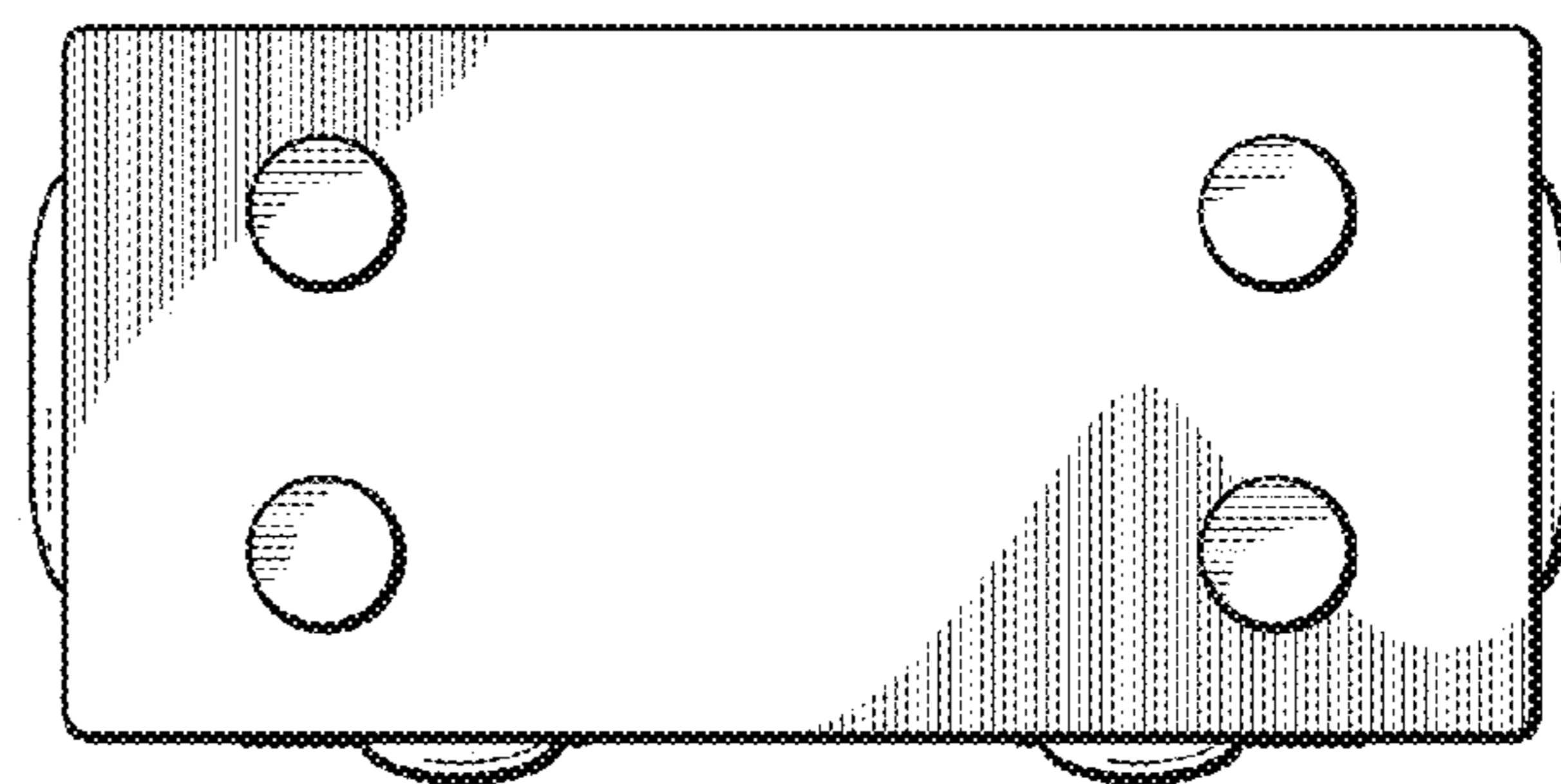


FIG. 3

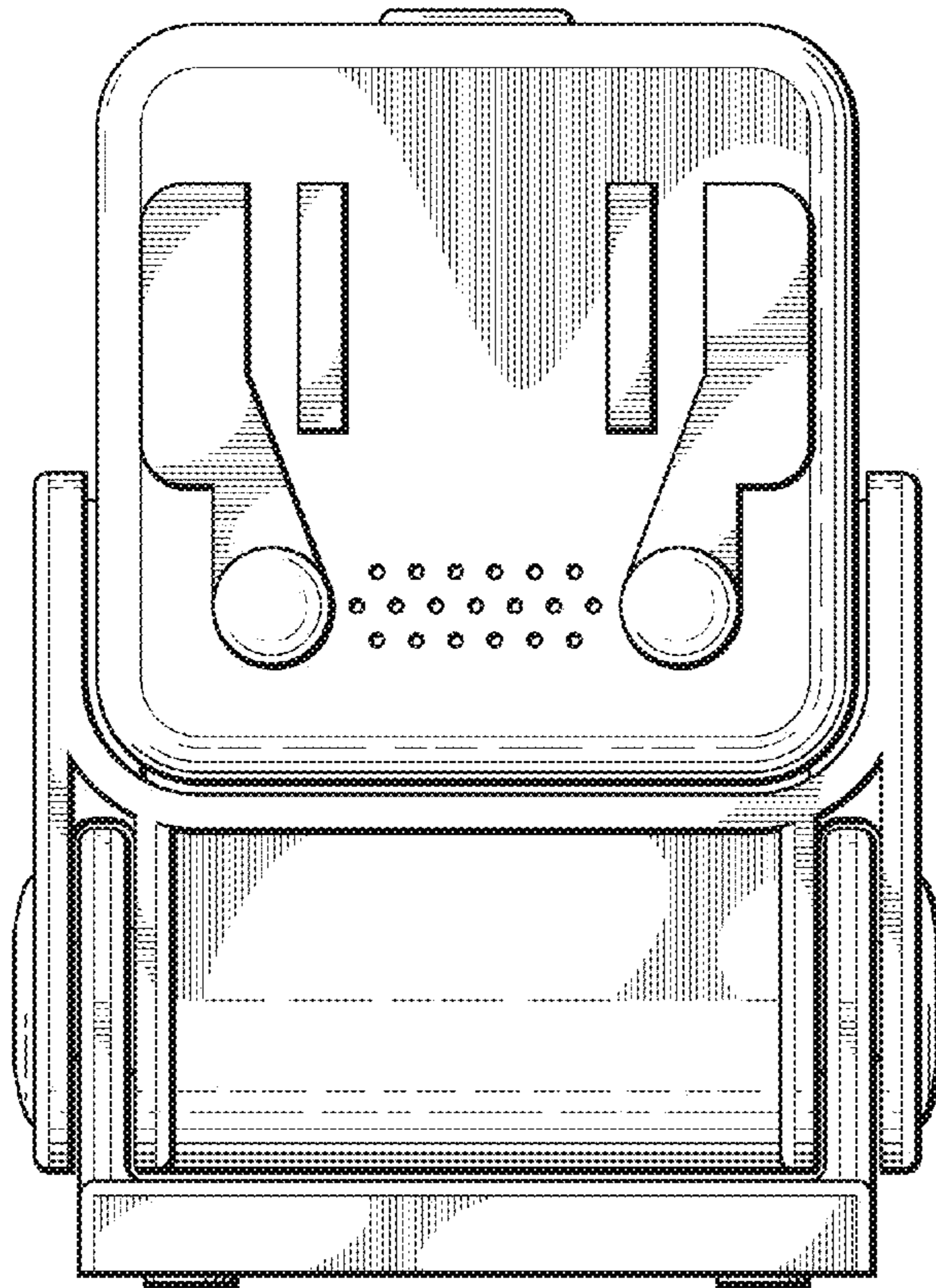


FIG. 5

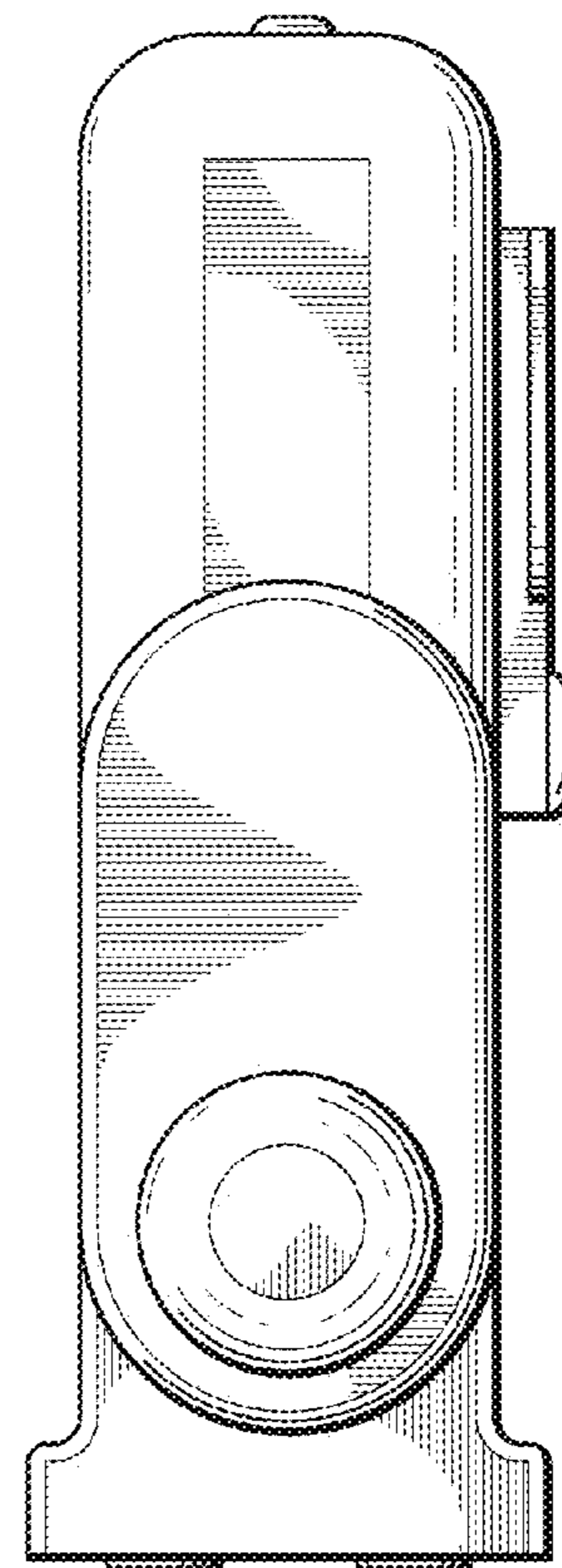


FIG. 7