



US00D727273S

(12) **United States Design Patent**
Oka et al.

(10) **Patent No.:** **US D727,273 S**
(45) **Date of Patent:** **** Apr. 21, 2015**

(54) **LIGHT EMITTING DIODE**
(71) Applicant: **Nichia Corporation**, Anan-shi,
Tokushima (JP)
(72) Inventors: **Yuta Oka**, Tokushima (JP); **Tatsuya**
Yanamoto, Anan (JP); **Haruaki Sasano**,
Tokushima (JP)

D490,387 S 5/2004 Yagi
D573,553 S * 7/2008 Uemoto et al. D13/180
D576,576 S * 9/2008 Shida et al. D13/180
D576,970 S 9/2008 Uemoto et al.
D593,043 S 5/2009 Song
7,615,799 B2 11/2009 Su
D607,420 S * 1/2010 Imai et al. D13/180
D611,436 S 3/2010 Ho

(Continued)

(73) Assignee: **Nichia Corporation** (JP)

FOREIGN PATENT DOCUMENTS

(**) Term: **14 Years**

JP D1304705 5/2007
JP D1304706 5/2007

(21) Appl. No.: **29/450,946**

(Continued)

(22) Filed: **Mar. 26, 2013**

OTHER PUBLICATIONS

(30) **Foreign Application Priority Data**

Sharp Technical Journal No. 104, LED Device for Lighting Purposes with Adjustable Color Function, "GW 6 TGCBG 4 FD," pp. 44-45, published by Sharp Kabushiki Kaisha in Jul. 2012.

Sep. 27, 2012 (JP) 2012-023424
Sep. 27, 2012 (JP) 2012-023425
Sep. 27, 2012 (JP) 2012-023426

Primary Examiner — Selina Sikder

(51) **LOC (10) Cl.** **13-03**

(74) *Attorney, Agent, or Firm* — Saidman DesignLaw Group, LLC

(52) **U.S. Cl.**
USPC **D13/180**

(57) **CLAIM**

(58) **Field of Classification Search**
CPC ... H01L 25/167; H01L 25/0753; H01L 27/15;
H01L 27/56; H01L 31/02; H01L 33/00;
H01L 33/04; H01L 33/08; H01L 33/10;
H01L 33/20; H01L 33/38; H01L 33/42;
H01L 33/483; H01L 33/486
USPC D13/180; D26/1; 257/79, 80, 81, 88,
257/89, 95, 98, 99, 100, E33.058; 313/483,
313/498, 500; 362/249.01, 49.02, 555
See application file for complete search history.

The ornamental design for a light emitting diode, as shown and described.

DESCRIPTION

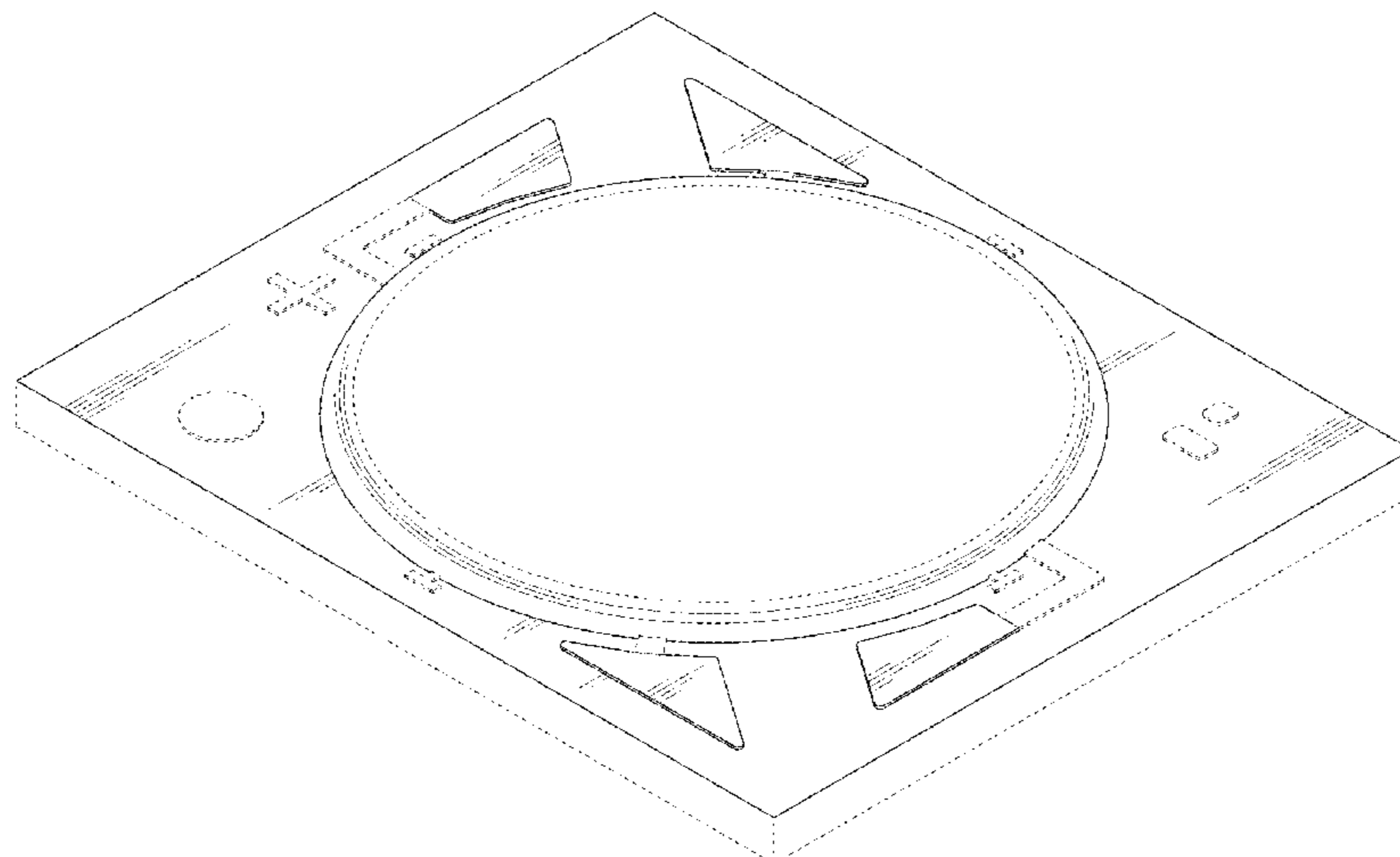
(56) **References Cited**

U.S. PATENT DOCUMENTS

D476,961 S 7/2003 Horiuchi et al.
D477,580 S 7/2003 Kamada
D487,254 S 3/2004 Suenaga
D488,137 S 4/2004 Kamada

FIG. 1 is a front, bottom, right side perspective view of a light emitting diode showing our new design; FIG. 2 is a front elevational view thereof; FIG. 3 is a rear elevational view thereof; FIG. 4 is a top plan view thereof; FIG. 5 is a bottom plan view thereof; FIG. 6 is a right side elevational view thereof; and, FIG. 7 is a left side elevational view thereof. The broken lines are for the purpose of illustrating portions of the light emitting diode and form no part of the claimed design.

1 Claim, 7 Drawing Sheets



(56)

References Cited

U.S. PATENT DOCUMENTS

D615,052 S * 5/2010 Imai et al. D13/180
 D637,564 S * 5/2011 Tseng et al. D13/180
 D638,382 S 5/2011 Kuzuoka
 D638,383 S 5/2011 Kuzuoka
 D643,820 S 8/2011 Kuzuoka
 D650,760 S * 12/2011 Hussell et al. D13/180
 D656,908 S 4/2012 Hsu et al.
 D667,803 S * 9/2012 Hussell et al. D13/180
 D669,041 S * 10/2012 Imai et al. D13/180
 D676,000 S * 2/2013 Hussell et al. D13/180
 D676,395 S 2/2013 Hussell et al.
 D682,224 S 5/2013 Sasano et al.
 D683,708 S * 6/2013 Sasano et al. D13/180
 D687,789 S 8/2013 Zhou
 D689,451 S * 9/2013 Shimonishi et al. D13/180
 D690,443 S 9/2013 Takehara et al.
 D693,780 S 11/2013 Chen et al.
 D695,239 S 12/2013 Ko et al.
 D698,047 S 1/2014 Sasaoka et al.

D698,322 S * 1/2014 Takeda et al. D13/180
 D698,742 S 2/2014 Niikura et al.
 D698,744 S 2/2014 Kobayashi et al.
 D700,585 S * 3/2014 Takeda et al. D13/180
 D706,231 S 6/2014 Hussell et al.
 D709,040 S 7/2014 Chen et al.
 D709,041 S * 7/2014 Yu D13/180
 D709,042 S 7/2014 Cai
 D710,809 S 8/2014 Low et al.
 8,809,880 B2 * 8/2014 Hussell 257/88
 D712,850 S 9/2014 Welch et al.
 D712,851 S 9/2014 Cai et al.
 2007/0018295 A1 * 1/2007 Kim et al. 257/678
 2012/0193651 A1 * 8/2012 Edmond et al. 257/88
 2012/0299022 A1 * 11/2012 Hussell 257/88

FOREIGN PATENT DOCUMENTS

JP D1304707 5/2007
 JP D1420638 8/2011

* cited by examiner

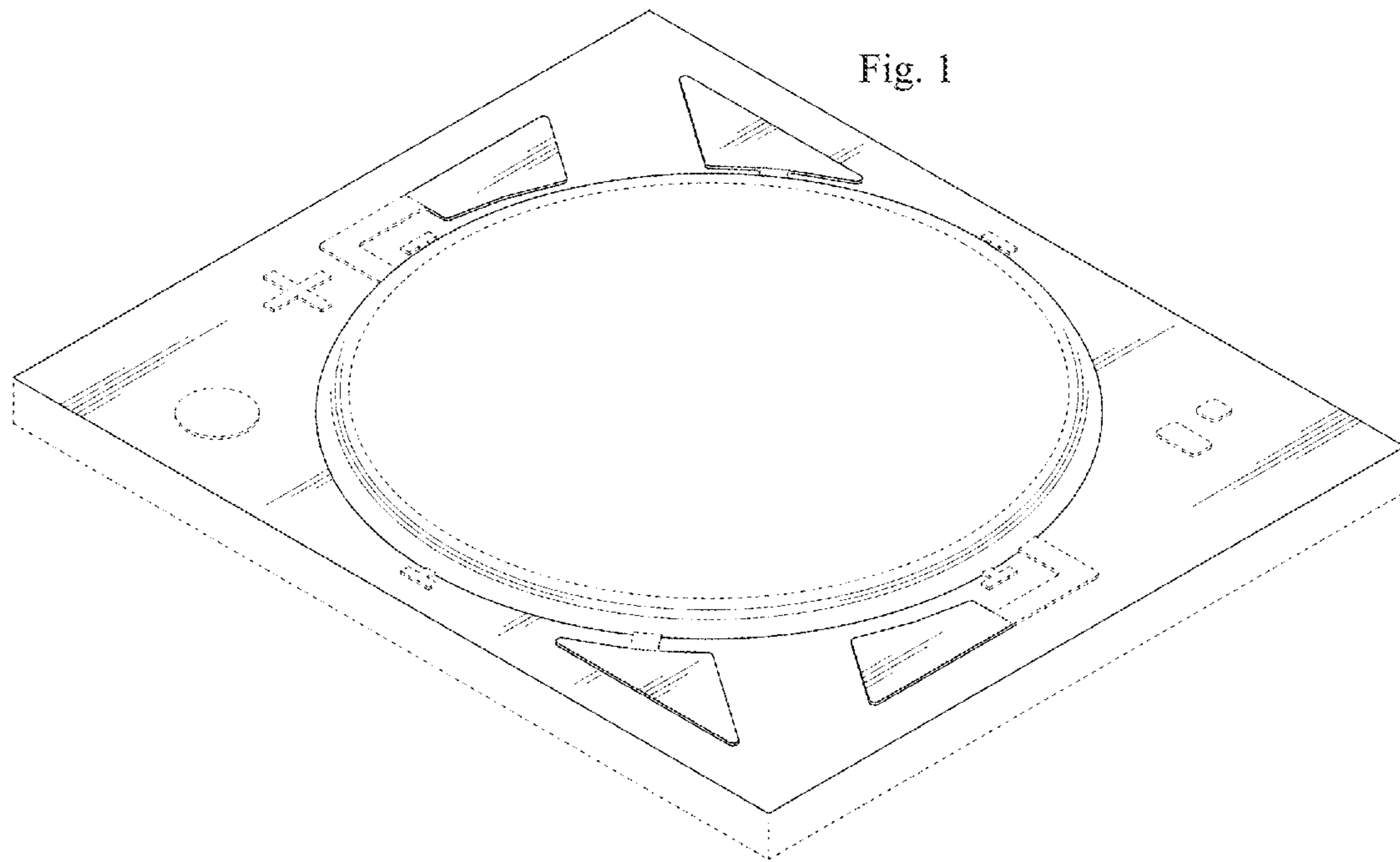


Fig. 1

Fig. 2

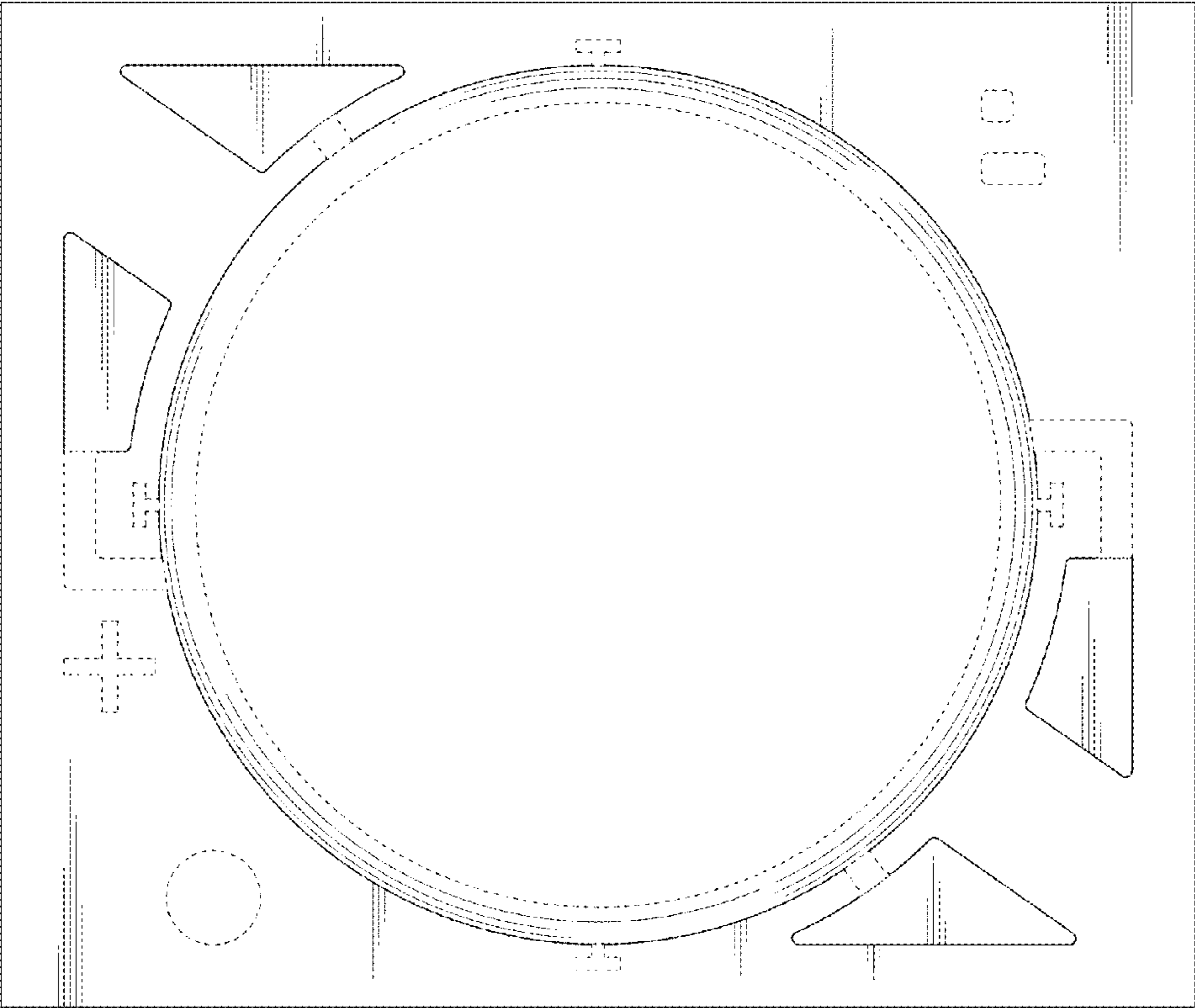


Fig. 3

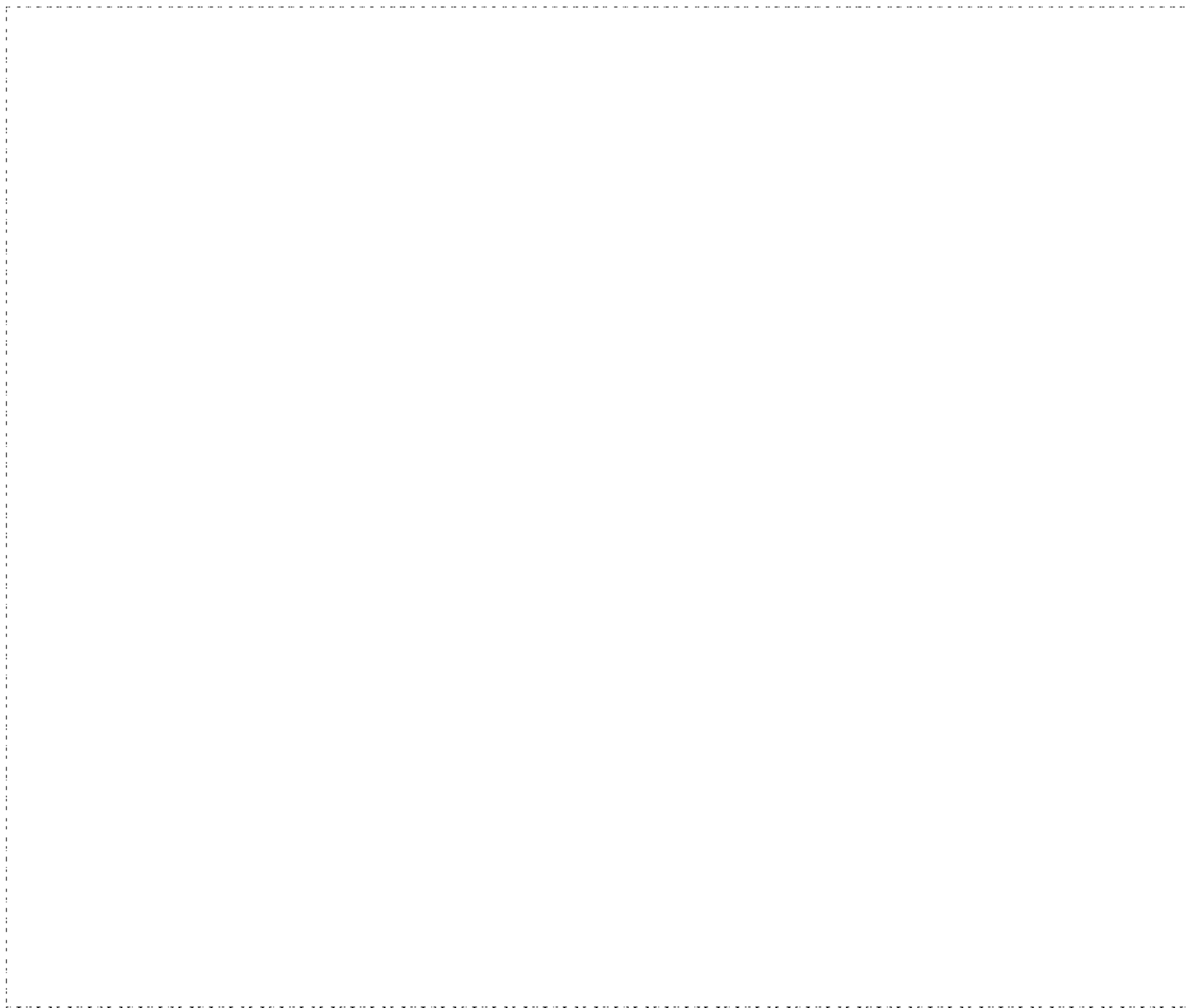


Fig. 4

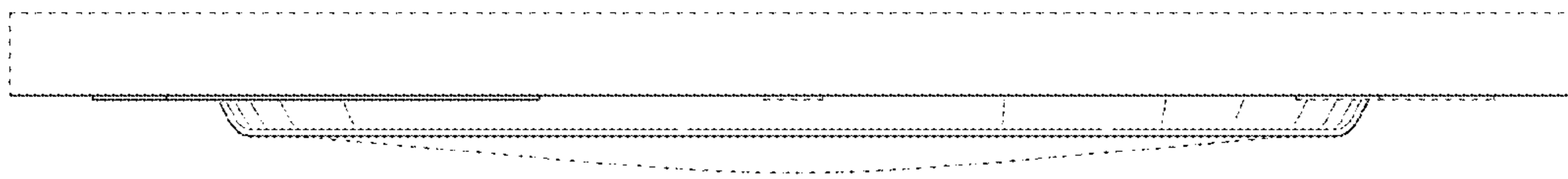


Fig. 5

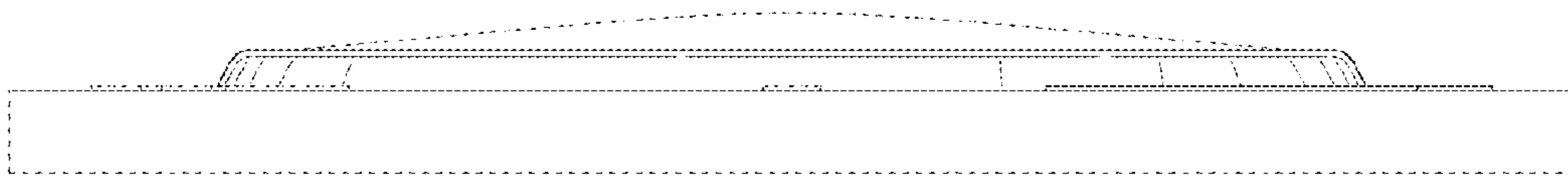


Fig. 6

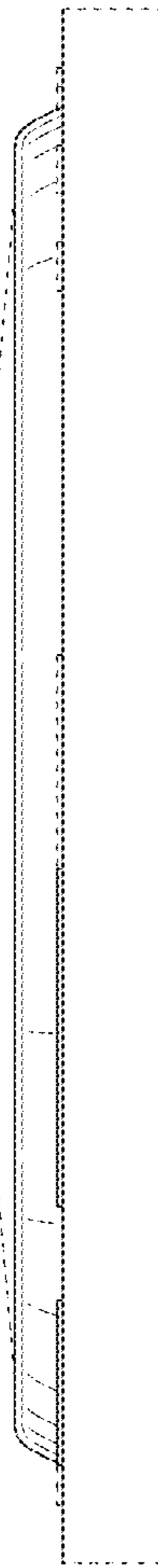


Fig. 7

