



US00D727270S

(12) **United States Design Patent**
Gentsch

(10) **Patent No.:** **US D727,270 S**

(45) **Date of Patent:** **** Apr. 21, 2015**

(54) **POLE PART**

(71) Applicant: **ABB Technology AG**, Zurich (CH)

(72) Inventor: **Dietmar Gentsch**, Ratingen (DE)

(73) Assignee: **ABB Technology AG**, Zürich (CH)

(**) Term: **14 Years**

(21) Appl. No.: **29/456,936**

(22) Filed: **Jun. 5, 2013**

(30) **Foreign Application Priority Data**

Dec. 5, 2012 (EM) 002147918-0001

(51) **LOC (10) Cl.** **13-03**

(52) **U.S. Cl.**
USPC **D13/158**

(58) **Field of Classification Search**

CPC H01H 2033/6623; H01H 33/66207;
H01H 2033/6613; H01H 33/6606; H01H
1/5833; H01H 1/021; H01H 1/5822; H01H
33/025; H01H 9/52
USPC D13/120, 158, 160; 218/118, 119, 134,
218/7, 77, 78, 79, 2, 102; 251/172;
361/605, 612; 205/122

See application file for complete search history.

(56) **References Cited**

U.S. PATENT DOCUMENTS

| | | | | | | |
|--------------|----|---|---------|----------------|-------|---------|
| D558,147 | S | * | 12/2007 | Ruemenapp | | D13/158 |
| D658,589 | S | * | 5/2012 | Shang et al. | | D13/158 |
| D660,253 | S | * | 5/2012 | Gentsch | | D13/158 |
| 8,530,775 | B2 | * | 9/2013 | Gentsch | | 218/134 |
| 8,658,930 | B2 | * | 2/2014 | Shang | | 218/119 |
| D715,229 | S | * | 10/2014 | Klaska et al. | | D13/158 |
| 2008/0078664 | A1 | * | 4/2008 | Schmidt et al. | | 200/289 |
| 2010/0206848 | A1 | * | 8/2010 | Claus et al. | | 218/134 |
| 2012/0175346 | A1 | * | 7/2012 | Shang | | 218/134 |
| 2013/0240367 | A1 | * | 9/2013 | Gentsch | | 205/122 |

* cited by examiner

Primary Examiner — Thomas Johannes

Assistant Examiner — Shawn T Gingrich

(74) *Attorney, Agent, or Firm* — Buchanan Ingersoll & Rooney PC

(57) **CLAIM**

The ornamental design for a pole part, as shown and described.

DESCRIPTION

FIG. 1 is a perspective view of a pole part showing my new design.

FIG. 2 is a front elevational view thereof.

FIG. 3 is a right side elevational view thereof.

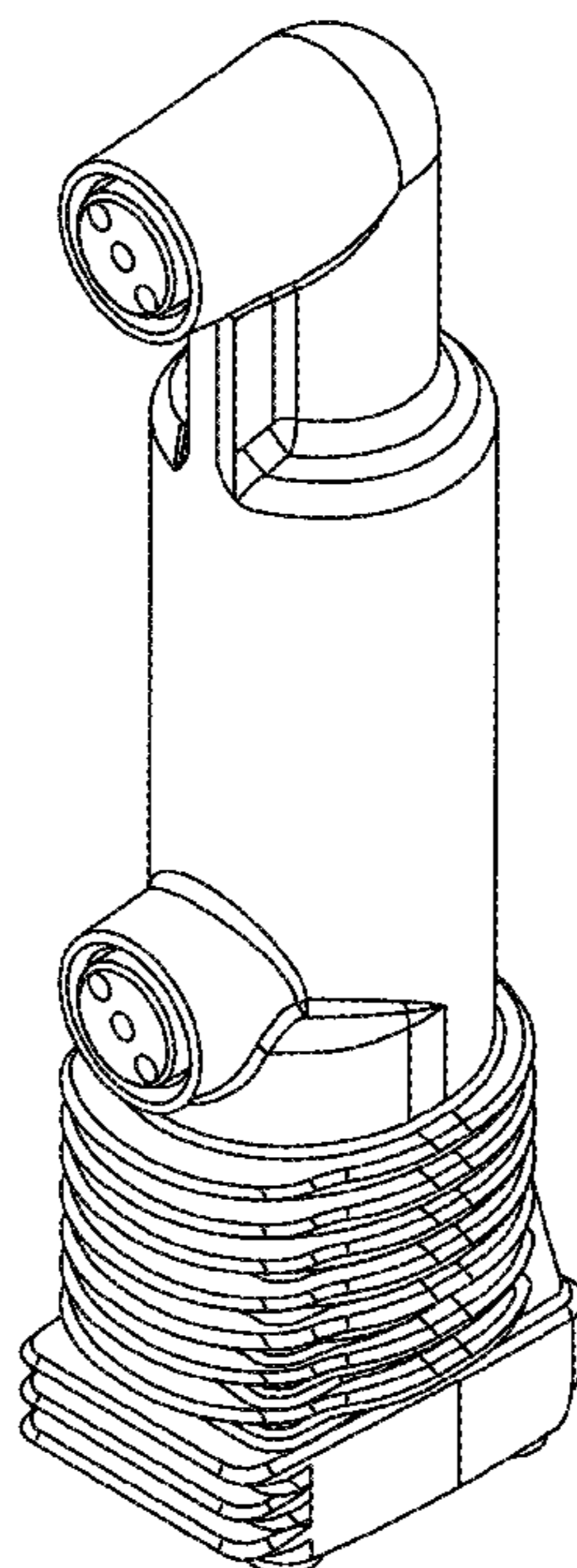
FIG. 4 is a left side elevational view thereof.

FIG. 5 is a top plan view thereof; and,

FIG. 6 is a bottom plan view thereof.

The broken line portion of the figure drawings is included to show unclaimed subject matter only and forms no part of the claimed design.

1 Claim, 5 Drawing Sheets



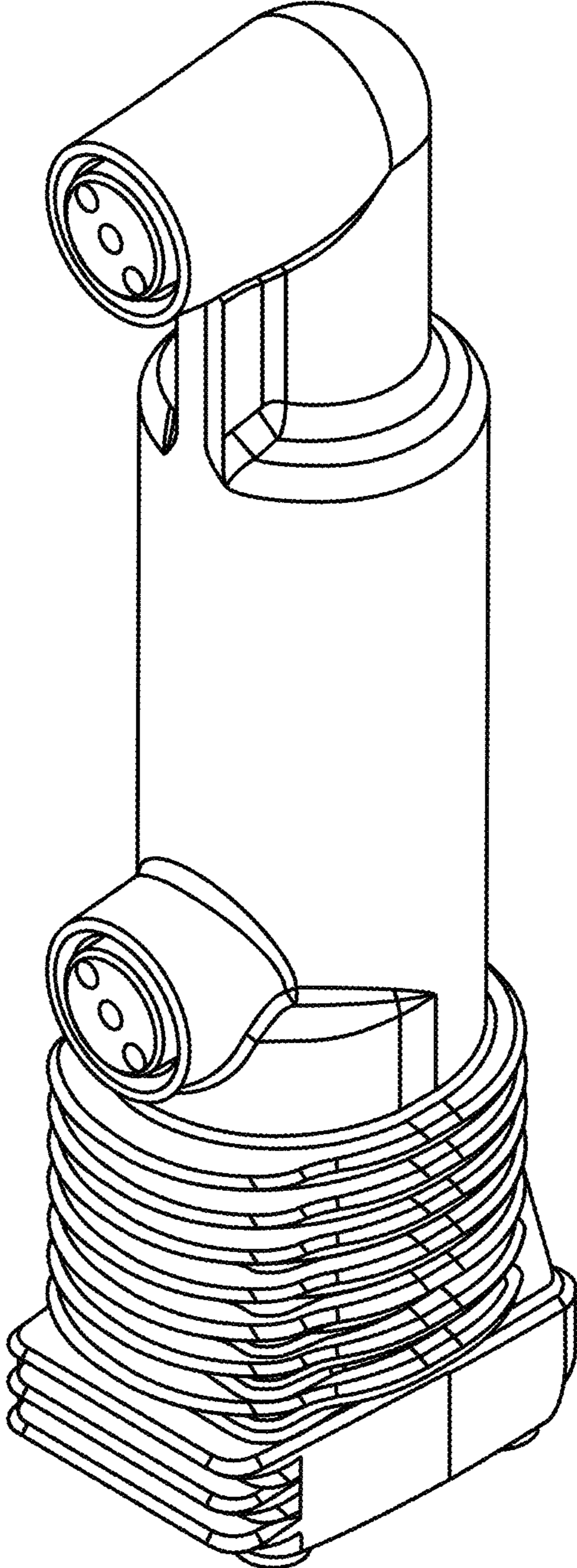


FIG. 1

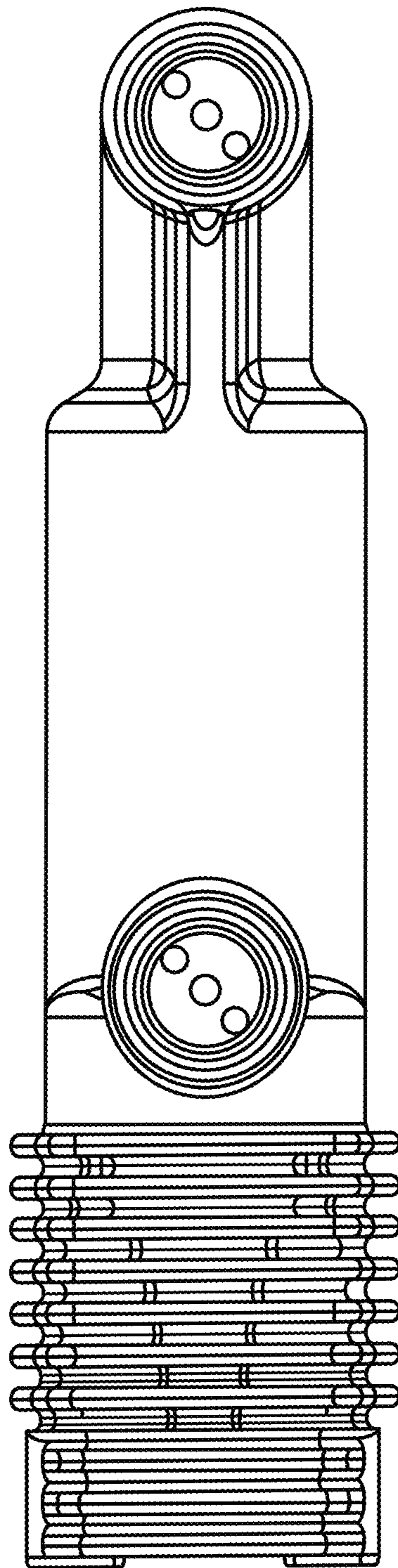


FIG. 2

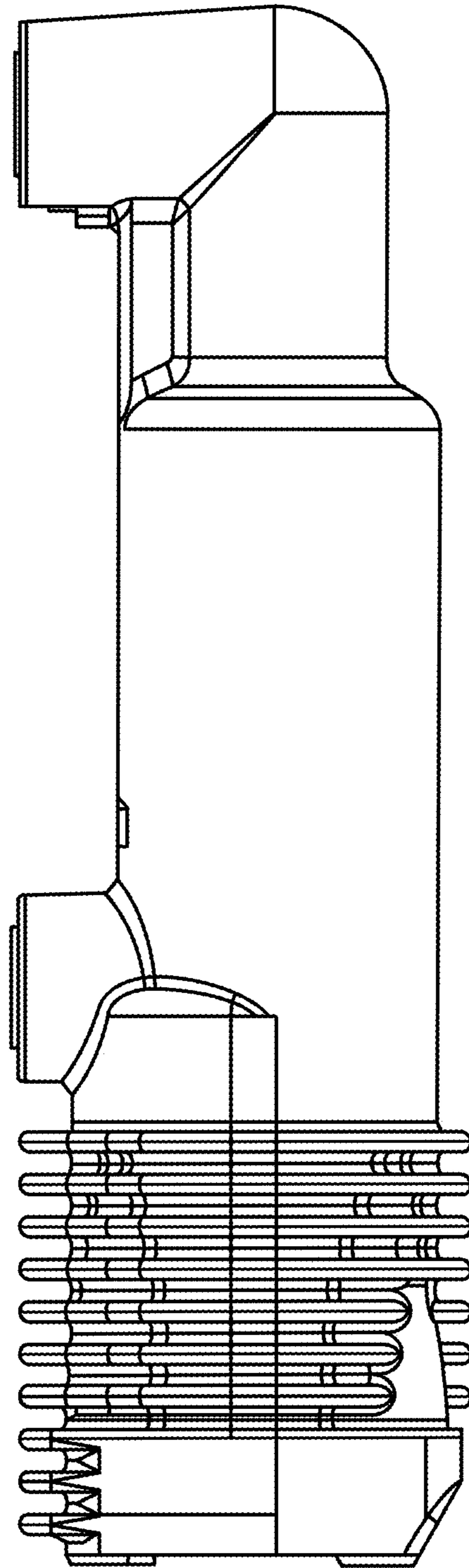


FIG. 3

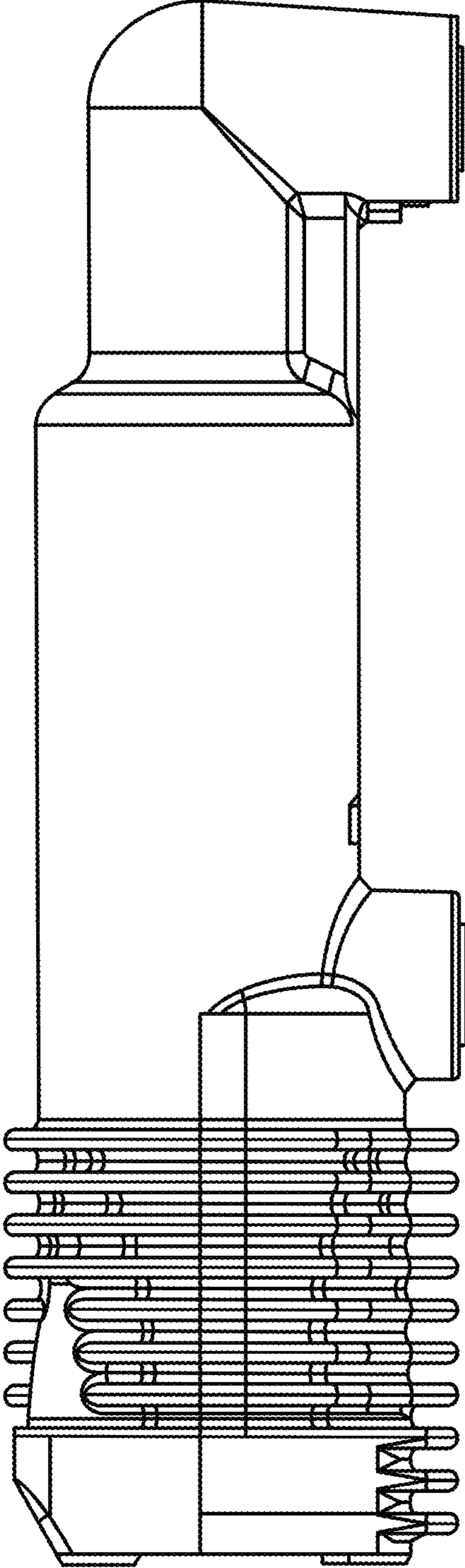


FIG. 4

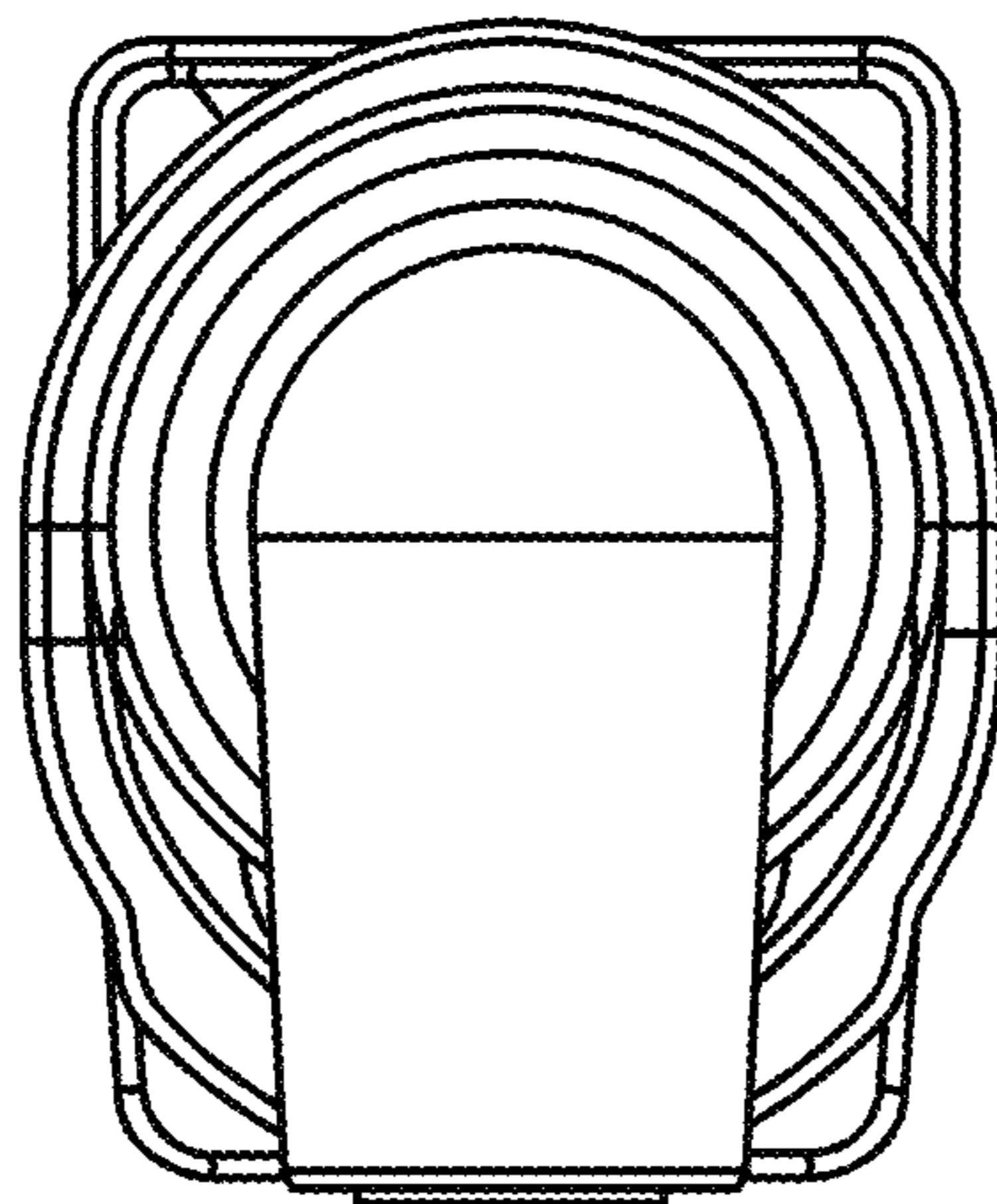


FIG. 5

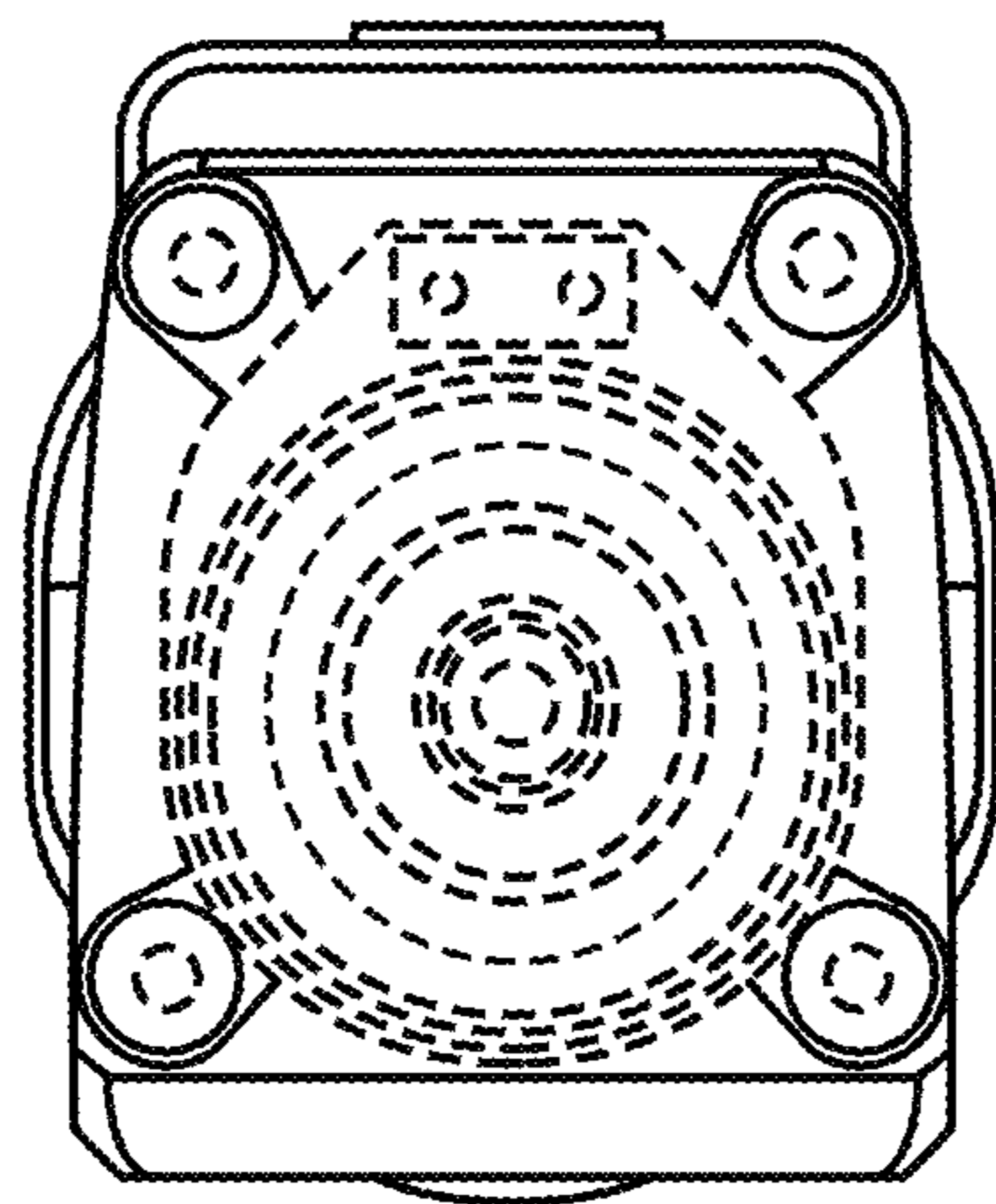


FIG. 6