



US00D727263S

(12) **United States Design Patent**  
**Benn et al.**

(10) **Patent No.:** **US D727,263 S**

(45) **Date of Patent:** **\*\* Apr. 21, 2015**

(54) **INVERTER**

(71) Applicant: **SMA Solar Technology AG**, Niestetal (DE)

(72) Inventors: **Alexander Benn**, Heidelberg (DE);  
**Christof Wetzel**, Remchingen (DE)

(73) Assignee: **SMA Solar Technology AG**, Niestetal (DE)

(\*\*) Term: **14 Years**

(21) Appl. No.: **29/496,625**

(22) Filed: **Jul. 15, 2014**

(30) **Foreign Application Priority Data**

Jan. 16, 2014 (EP) ..... 002385195-0001

Jan. 16, 2014 (EP) ..... 002385195-0002

May 28, 2014 (EP) ..... 002472555-0001

(51) **LOC (10) Cl.** ..... **13-02**

(52) **U.S. Cl.**  
USPC ..... **D13/110**

(58) **Field of Classification Search**  
USPC ..... D13/110, 101, 123, 184, 199;  
307/150-152; 361/600, 601, 622, 702,  
361/703, 730, 796, 809; 363/141, 142

See application file for complete search history.

(56) **References Cited**

U.S. PATENT DOCUMENTS

D343,382 S *	1/1994	Hagura et al. ....	D13/110
D450,305 S *	11/2001	Masuzoe et al. ....	D13/168
D494,132 S *	8/2004	Song .....	D13/110
D504,662 S *	5/2005	Person et al. ....	D13/110
D534,863 S *	1/2007	Yasuda et al. ....	D13/112
D560,607 S *	1/2008	Suematsu et al. ....	D13/110
D598,847 S *	8/2009	Ota .....	D13/110
D605,589 S *	12/2009	Zeng et al. ....	D13/110
D675,565 S *	2/2013	Choi .....	D13/110

\* cited by examiner

*Primary Examiner* — Derrick Holland

(74) *Attorney, Agent, or Firm* — Slater & Matsil, L.L.P.

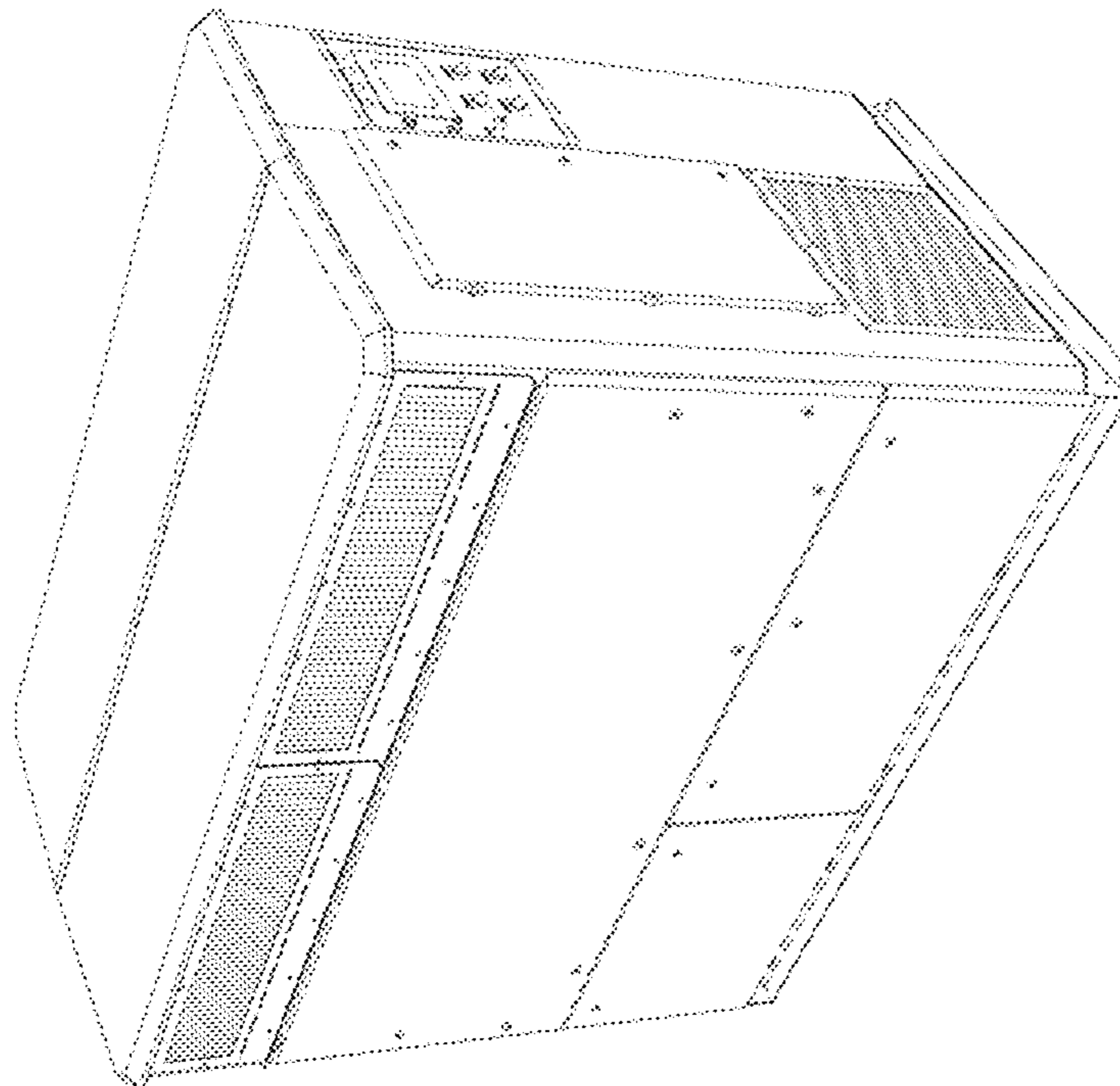
(57) **CLAIM**

The ornamental design for an inverter, as shown and described.

**DESCRIPTION**

FIG. 1 is a back perspective view of an inverter;  
FIG. 2 is a right side view thereof;  
FIG. 3 is a back view thereof;  
FIG. 4 is a left side view thereof;  
FIG. 5 is a front view thereof;  
FIG. 6 is a bottom view thereof;  
FIG. 7 is a top view thereof; and,  
FIG. 8 is a front perspective view thereof.

**1 Claim, 8 Drawing Sheets**



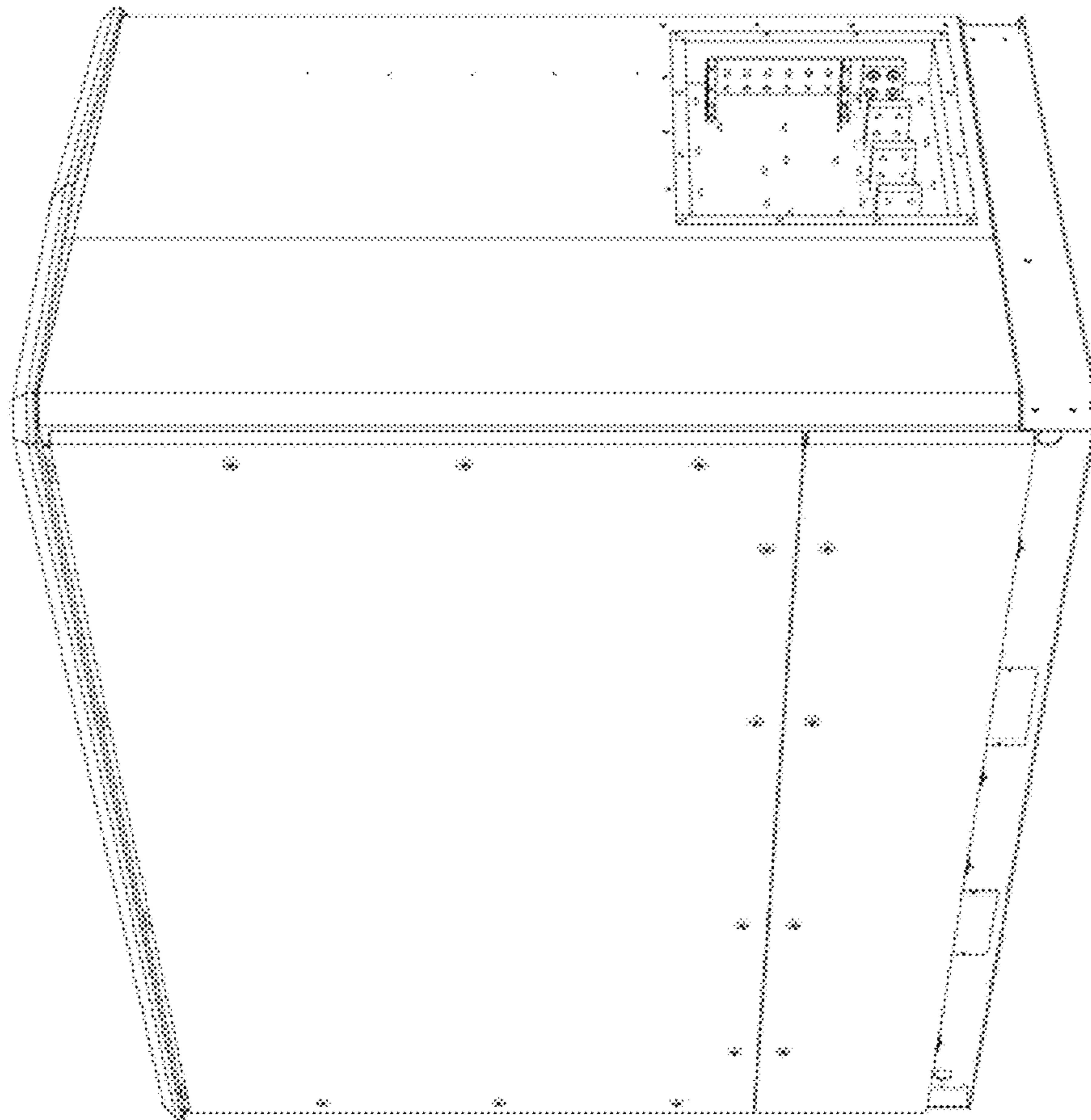


Figure 1

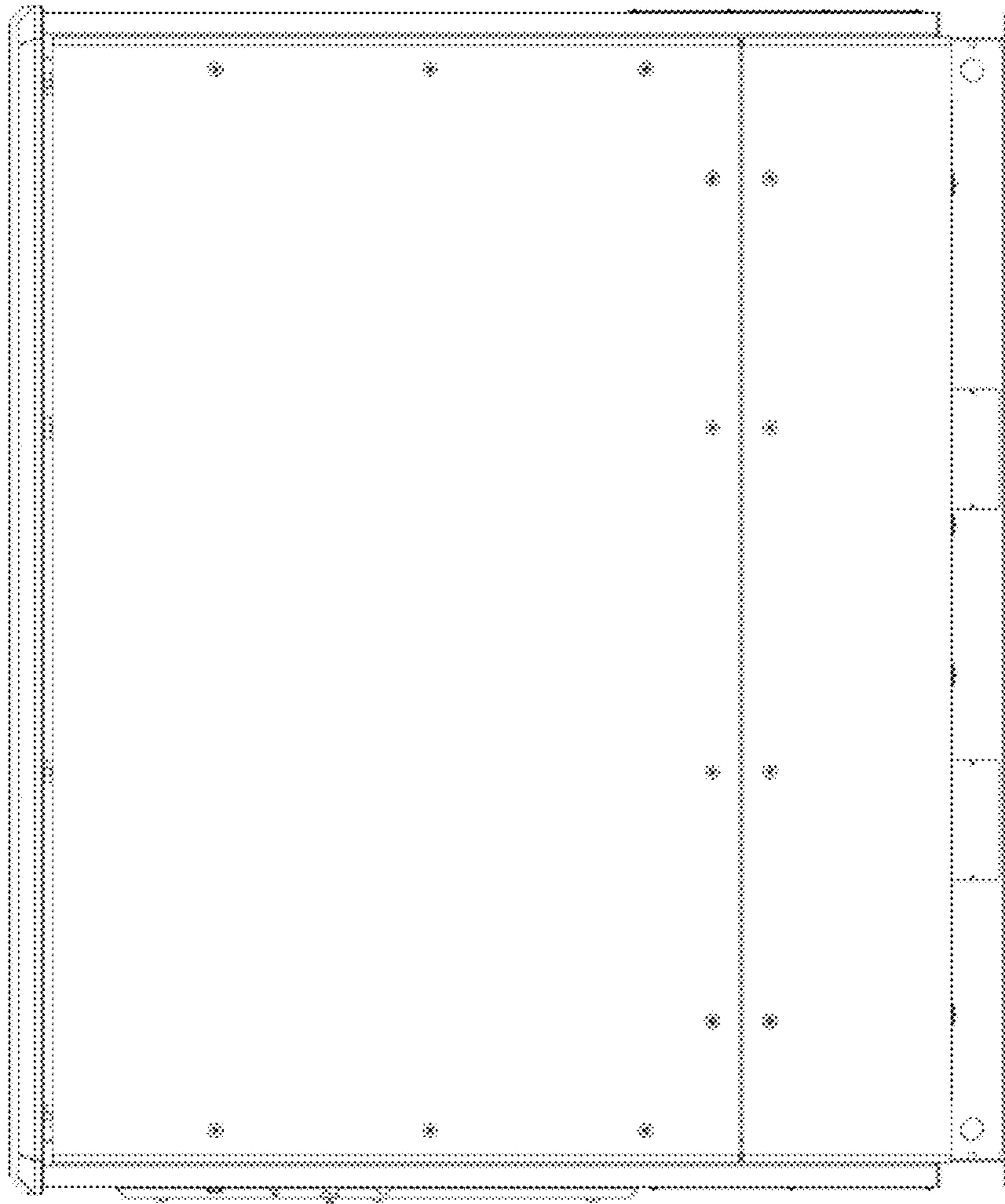


Figure 2

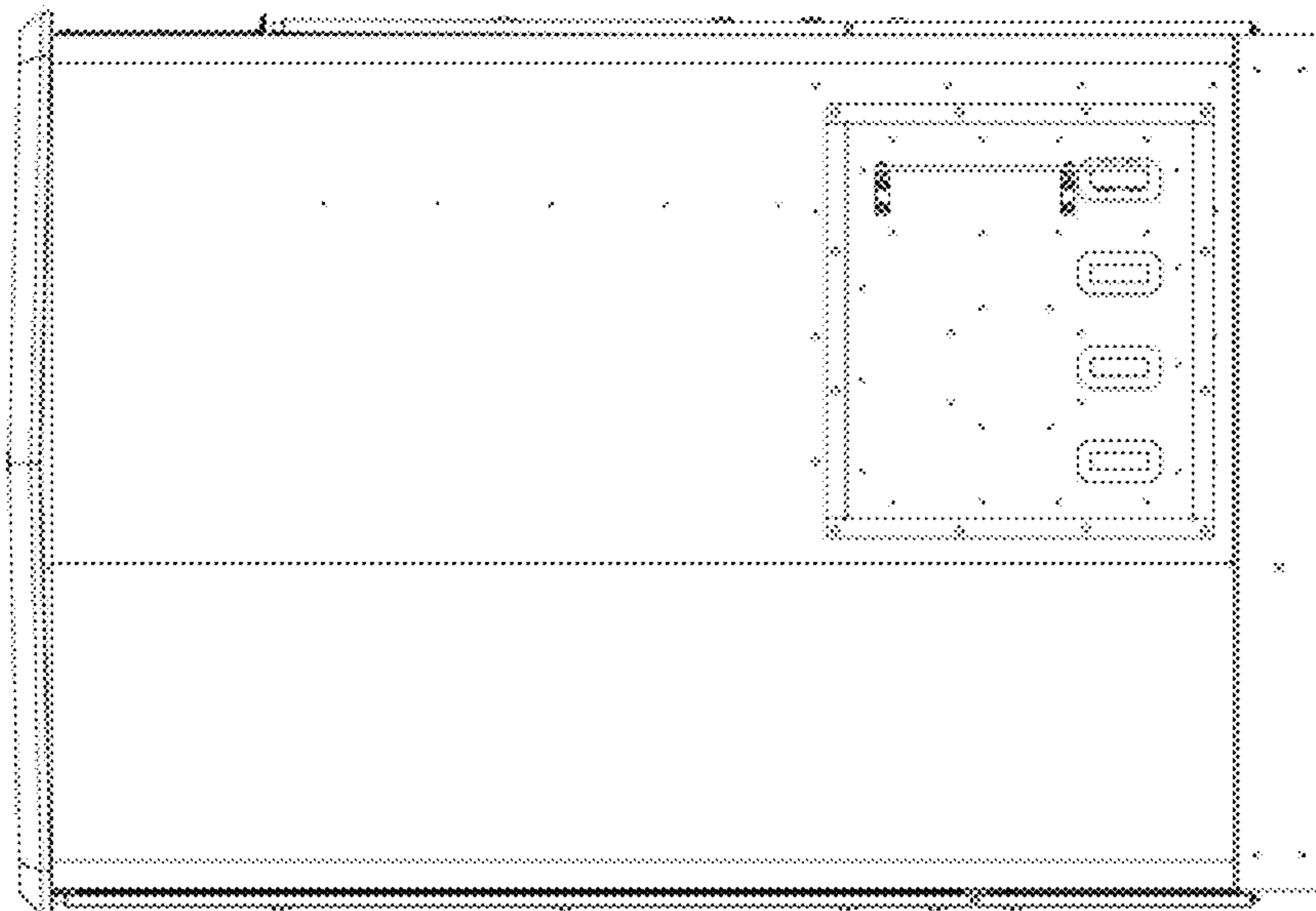


Figure 3

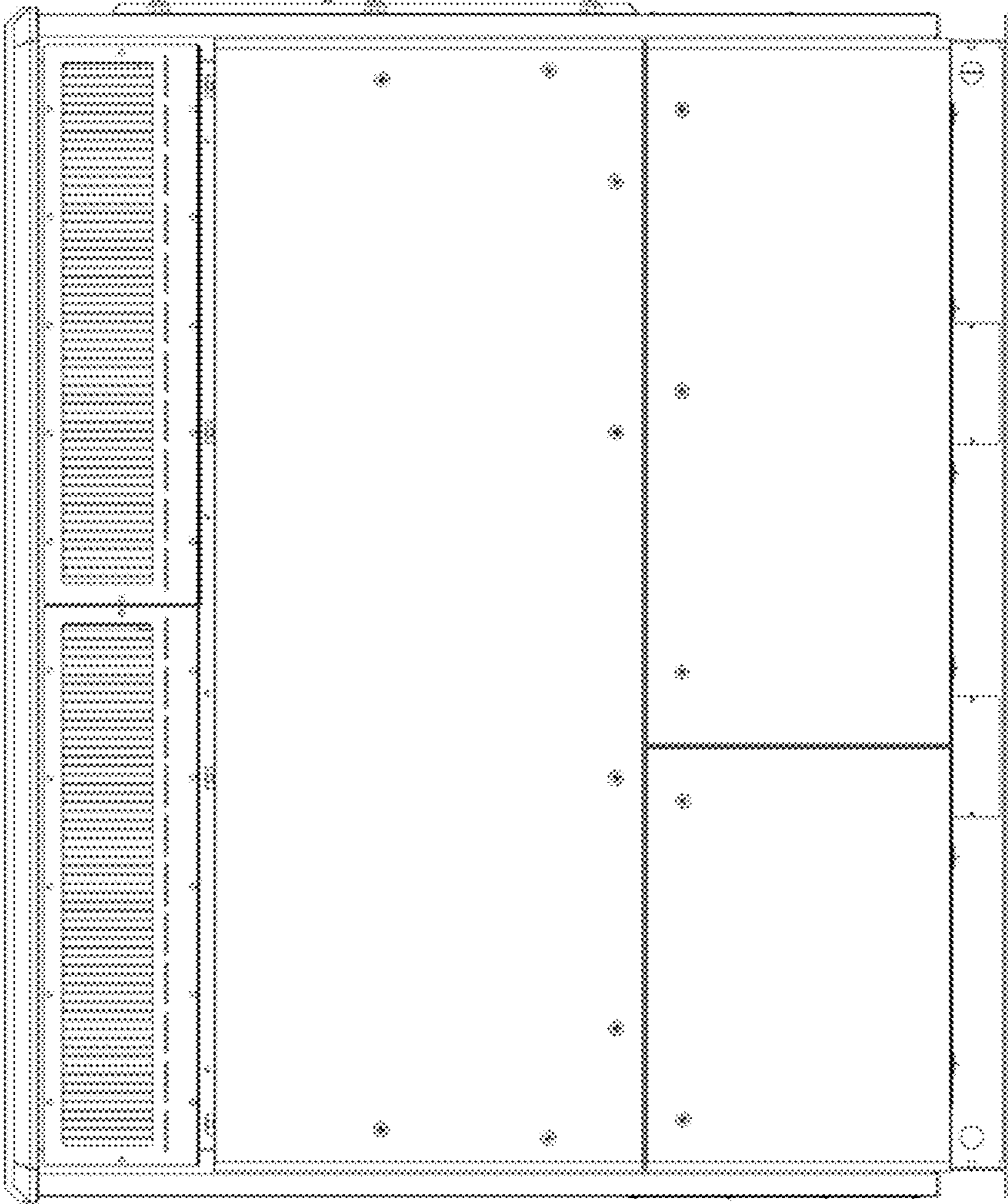


Figure 4



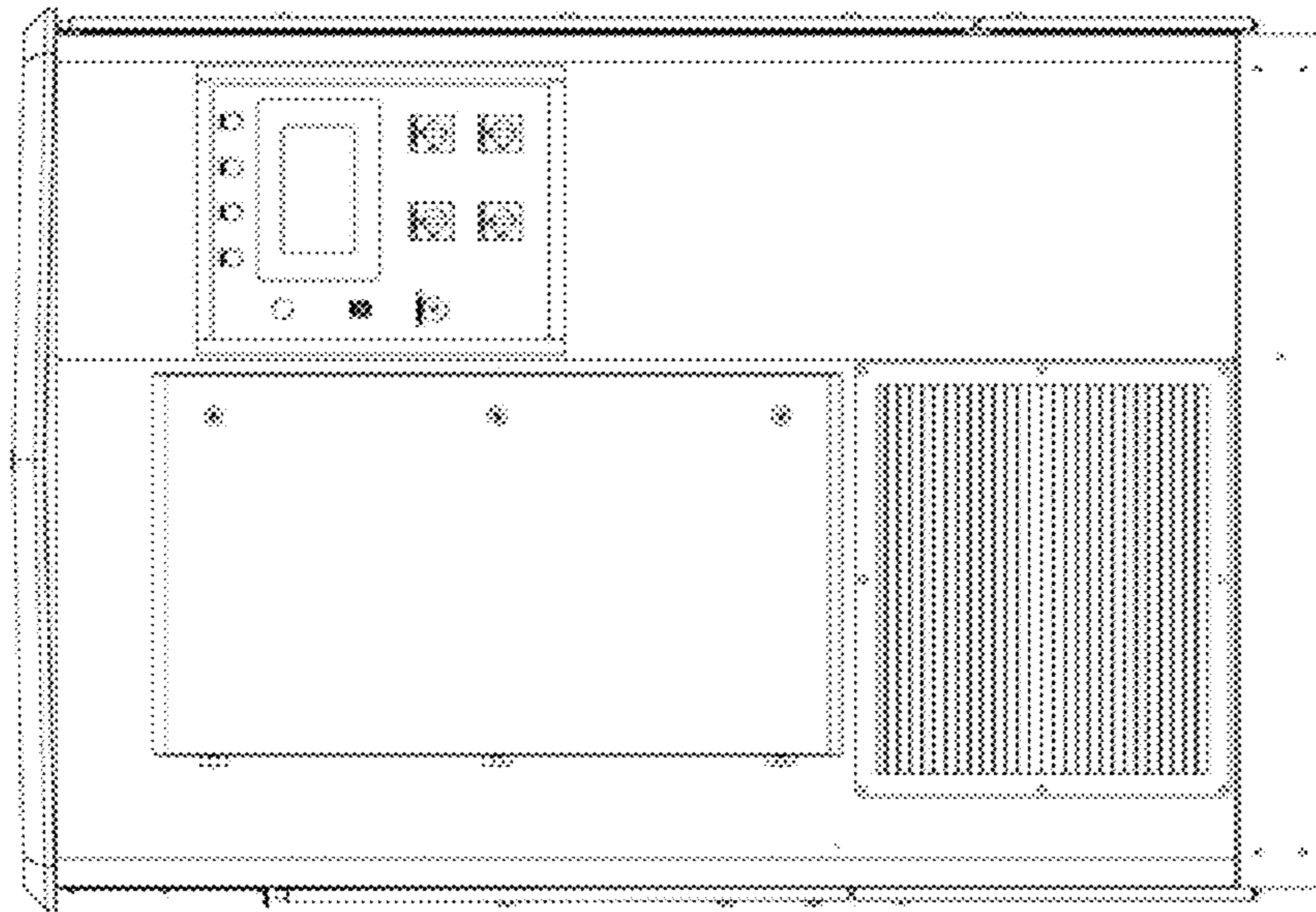


Figure 5

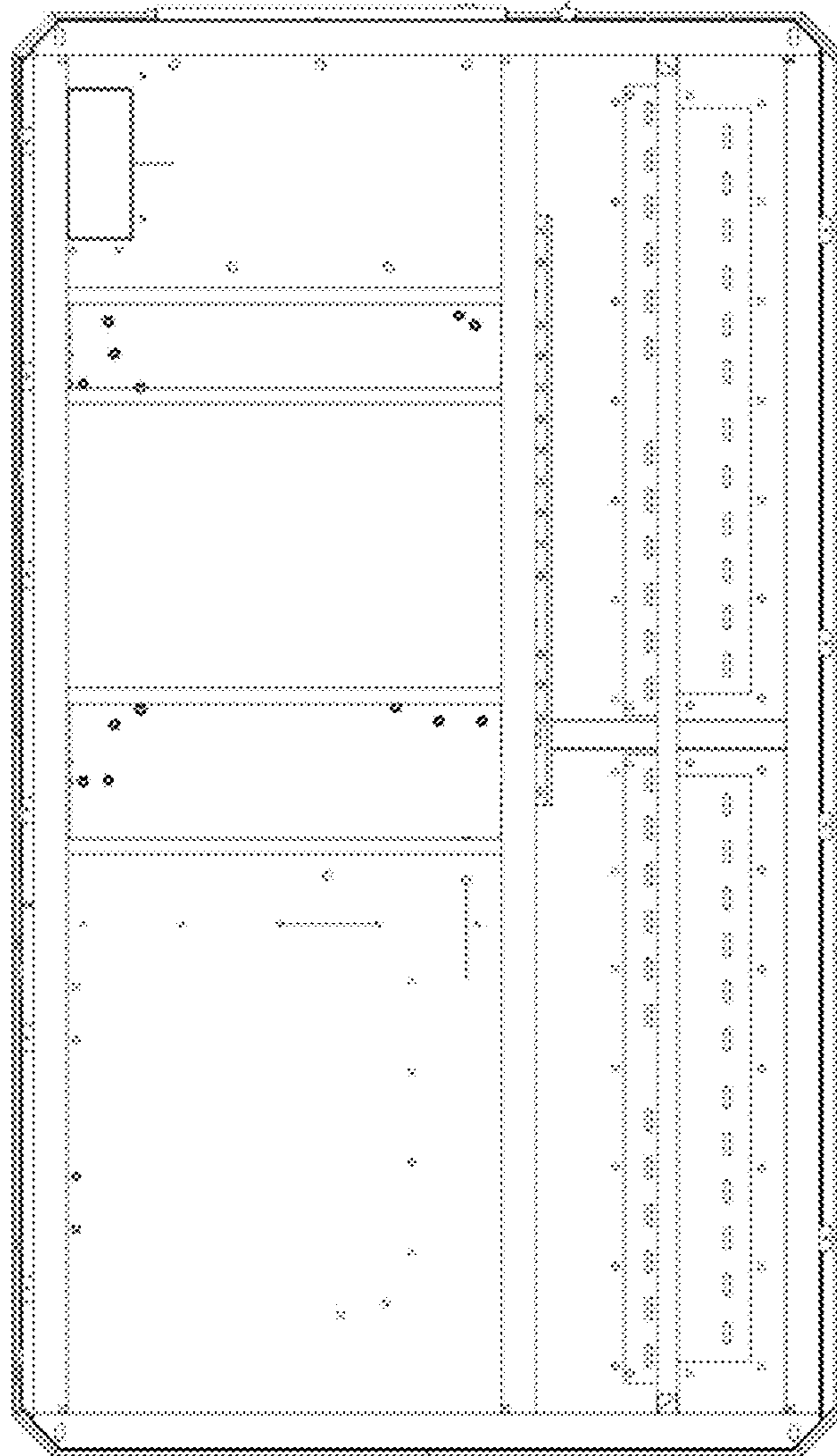


Figure 6

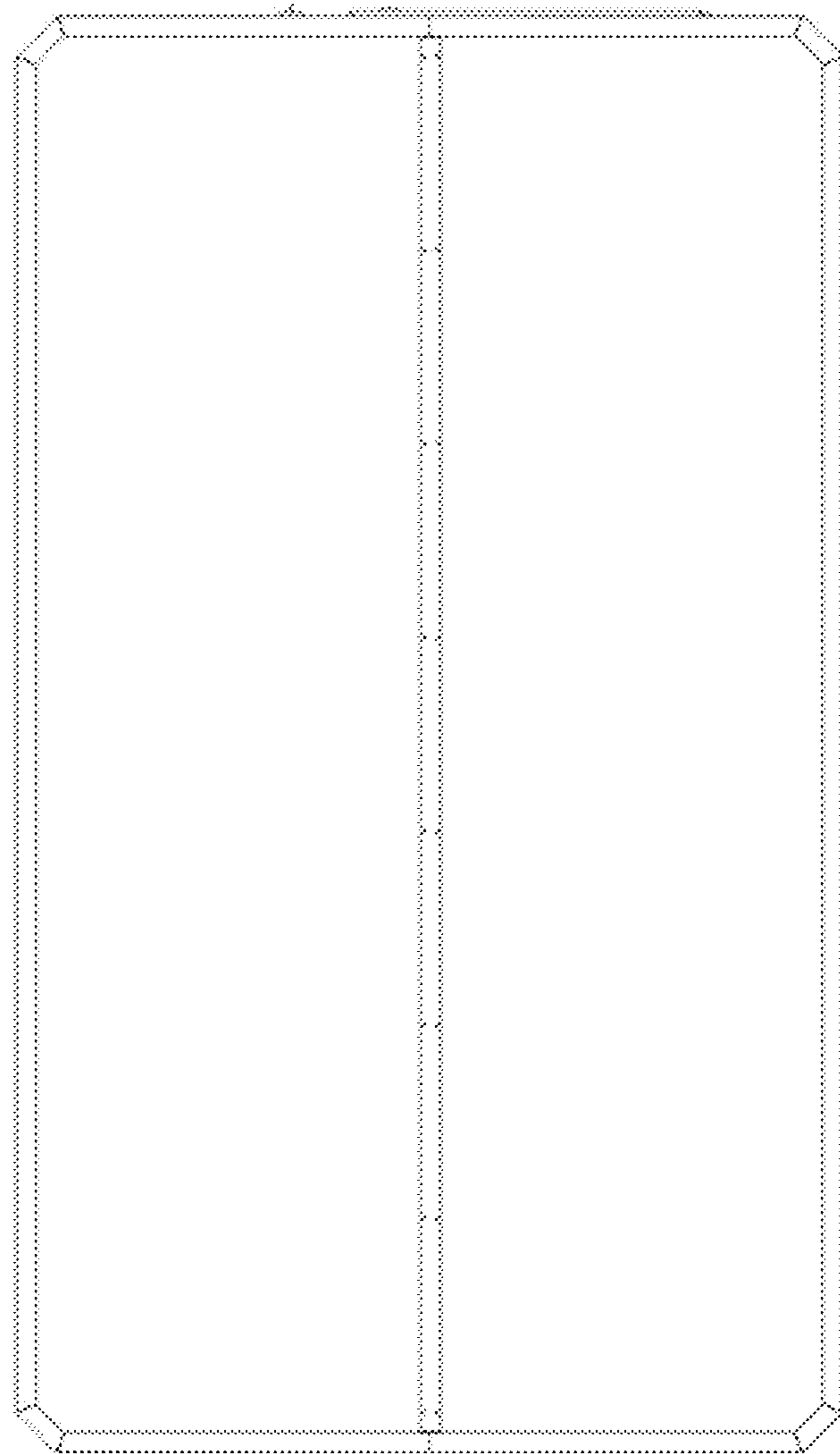


Figure 7



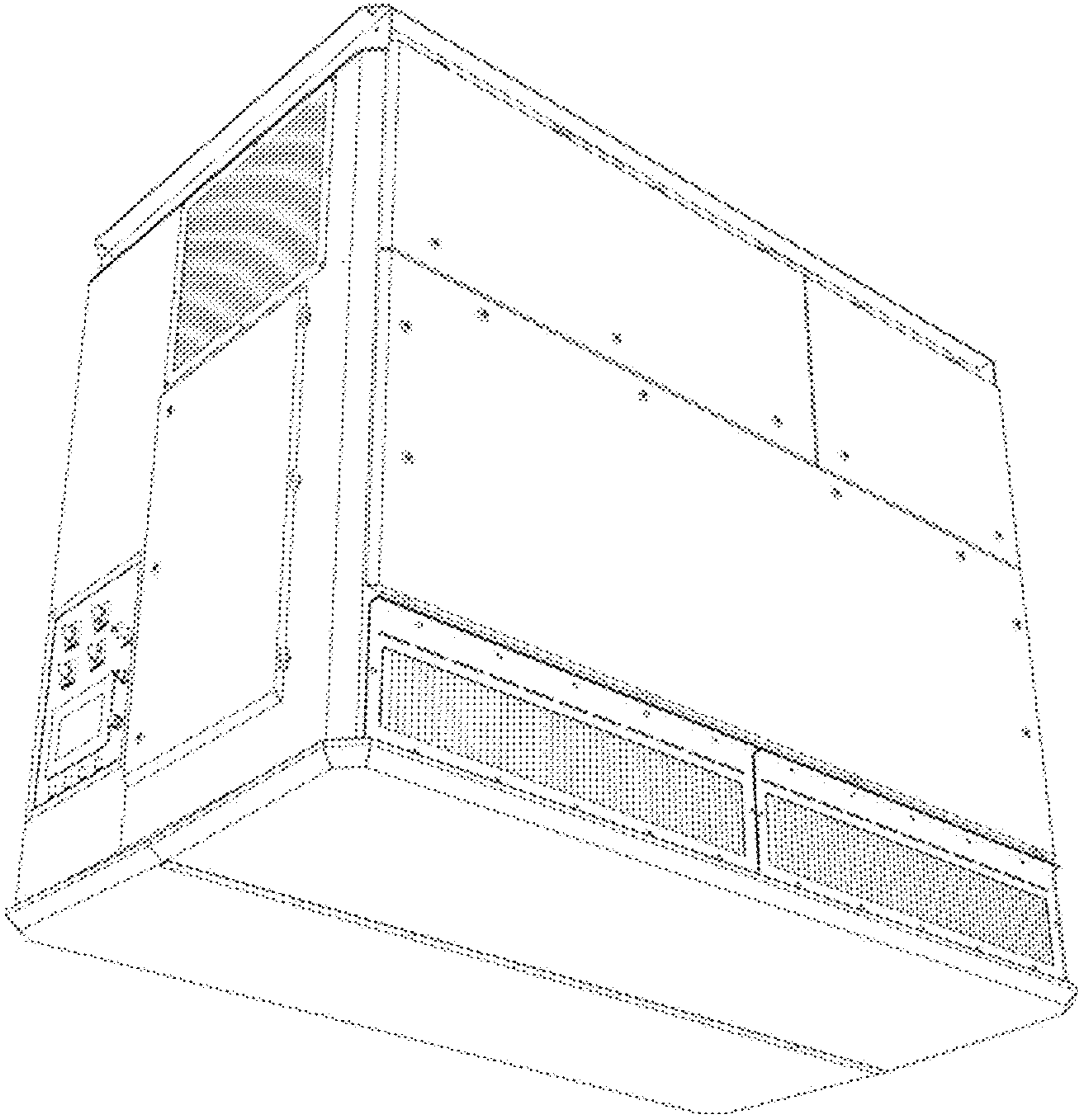


Figure 8