



US00D727262S

(12) **United States Design Patent**
Omote et al.

(10) **Patent No.:** **US D727,262 S**
(45) **Date of Patent:** **** Apr. 21, 2015**

(54) **POWER CONVERTER**

(56) **References Cited**

(71) Applicant: **Toshiba Mitsubishi-Electric Industrial Systems Corporation**, Tokyo (JP)

U.S. PATENT DOCUMENTS

(72) Inventors: **Kenichiro Omote**, Tokyo (JP); **Ryo Nakajima**, Tokyo (JP)

D226,011	S	*	1/1973	Planholt et al.	D13/110
4,495,901	A	*	1/1985	Nannini et al.	123/2
D305,115	S	*	12/1989	Kondo et al.	D13/110
D346,359	S	*	4/1994	Linden et al.	D13/114
D534,863	S	*	1/2007	Yasuda et al.	D13/112
D631,839	S	*	2/2011	Mockenhaupt	D13/110
D656,460	S	*	3/2012	Thorsteinsson et al.	D13/110
D696,185	S	*	12/2013	Azuma	D13/101

(73) Assignee: **Toshiba Mitsubishi-Electric Industrial Systems Corporation**, Tokyo (JP)

* cited by examiner

(**) Term: **14 Years**

Primary Examiner — Derrick Holland

(21) Appl. No.: **29/480,973**

(74) *Attorney, Agent, or Firm* — Finnegan, Henderson, Farabow, Garrett & Dunner, LLP

(22) Filed: **Jan. 31, 2014**

(57) **CLAIM**

The ornamental design for a power converter, as shown and described.

(30) **Foreign Application Priority Data**

DESCRIPTION

Aug. 20, 2013 (JP) 2013-018902

(51) **LOC (10) Cl.** **13-02**

FIG. 1 is a front, right perspective view of a power converter showing our new design;

(52) **U.S. Cl.**

FIG. 2 is a rear, left perspective view thereof;

USPC **D13/110**

FIG. 3 is a front elevation view thereof;

(58) **Field of Classification Search**

USPC D13/110, 101, 112, 114, 123, 162, 184, D13/199; D14/357; 361/600, 601, 707, 715, 361/730; 363/15, 35, 141, 157, 174, 175, 363/177

FIG. 4 is a rear elevation view thereof;

FIG. 5 is a top plan view thereof;

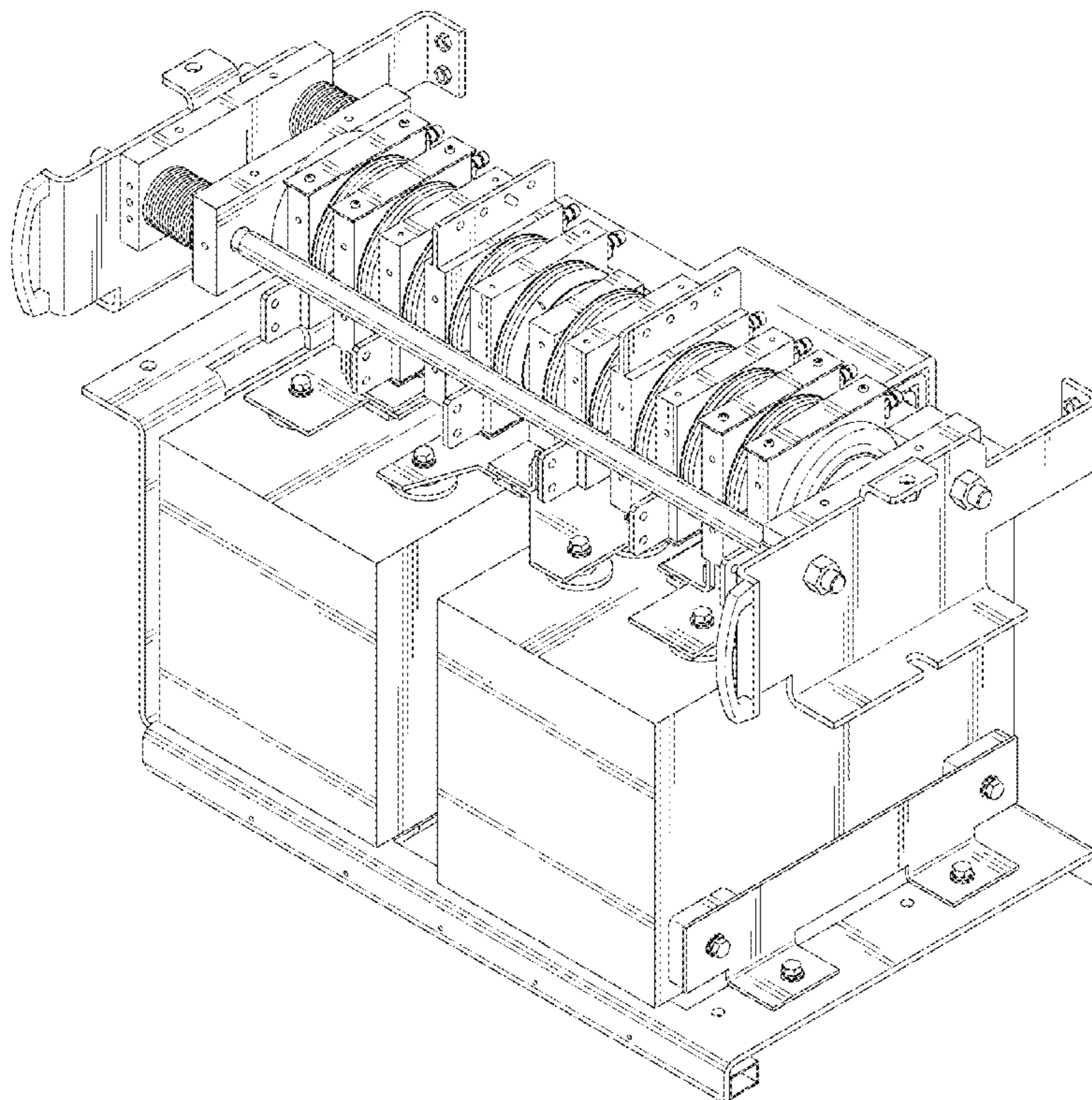
FIG. 6 is a bottom plan view thereof;

FIG. 7 is a right side view thereof; and,

FIG. 8 is a left side view thereof.

See application file for complete search history.

1 Claim, 8 Drawing Sheets



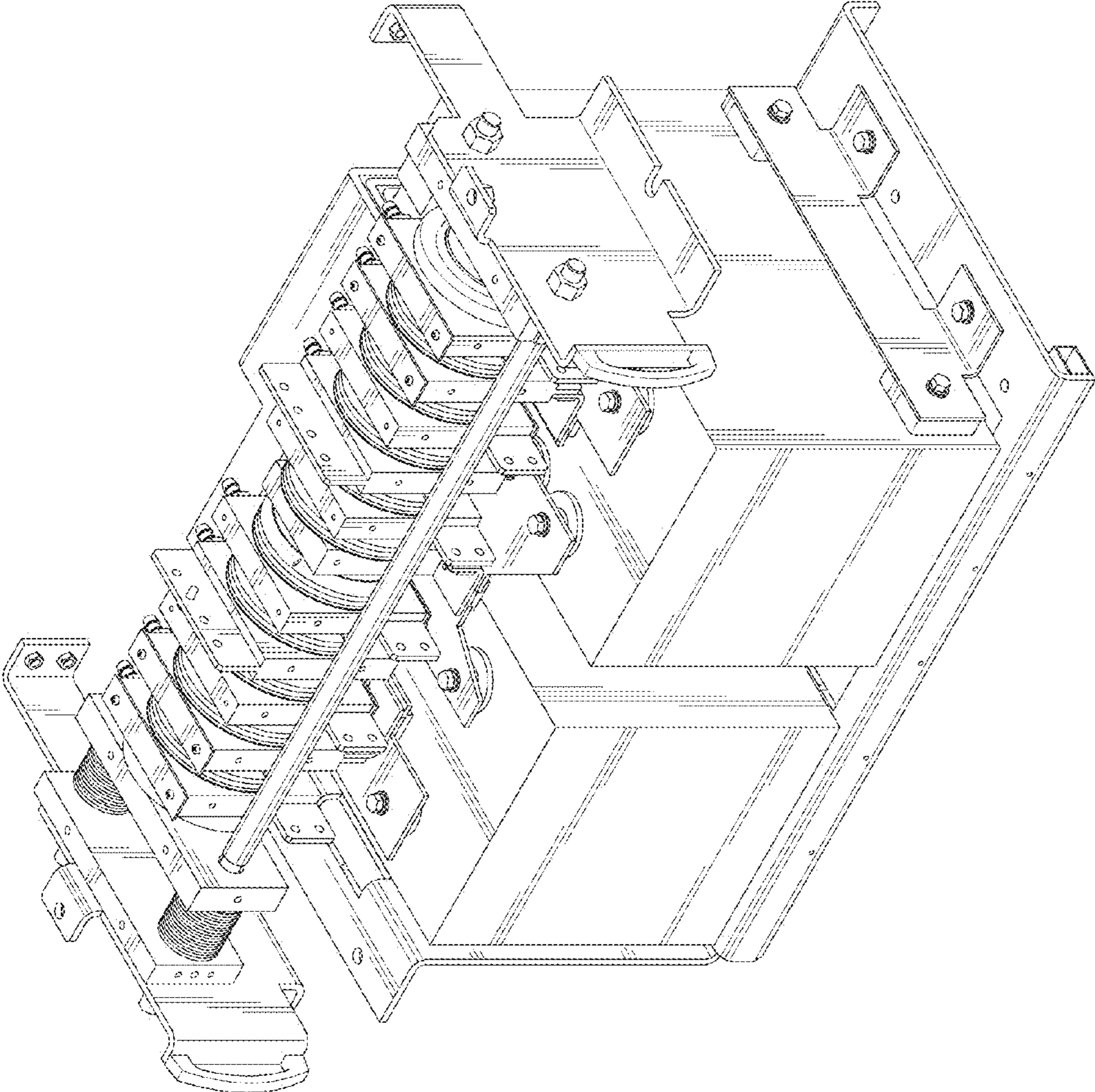


FIG. 1

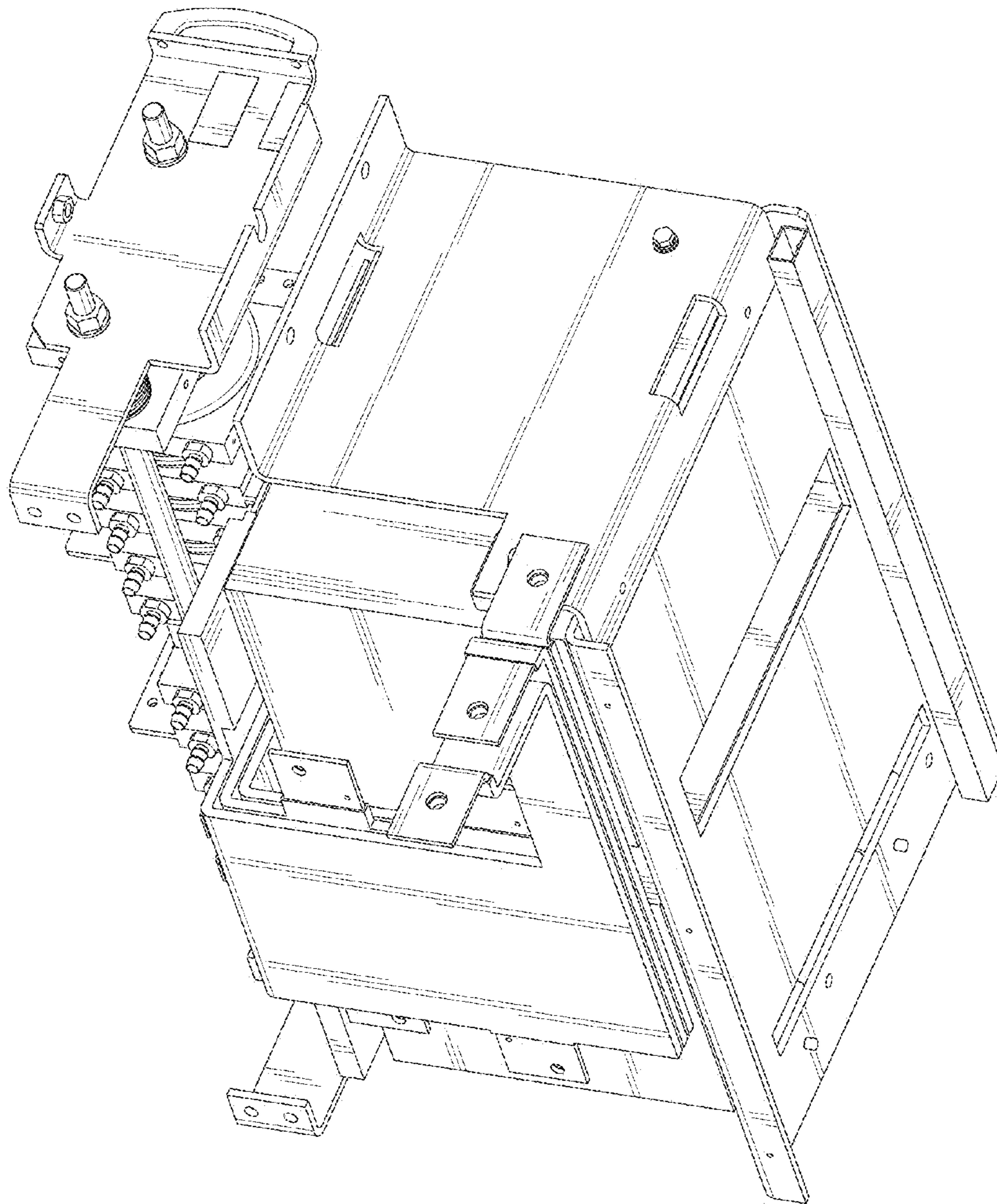


FIG. 2

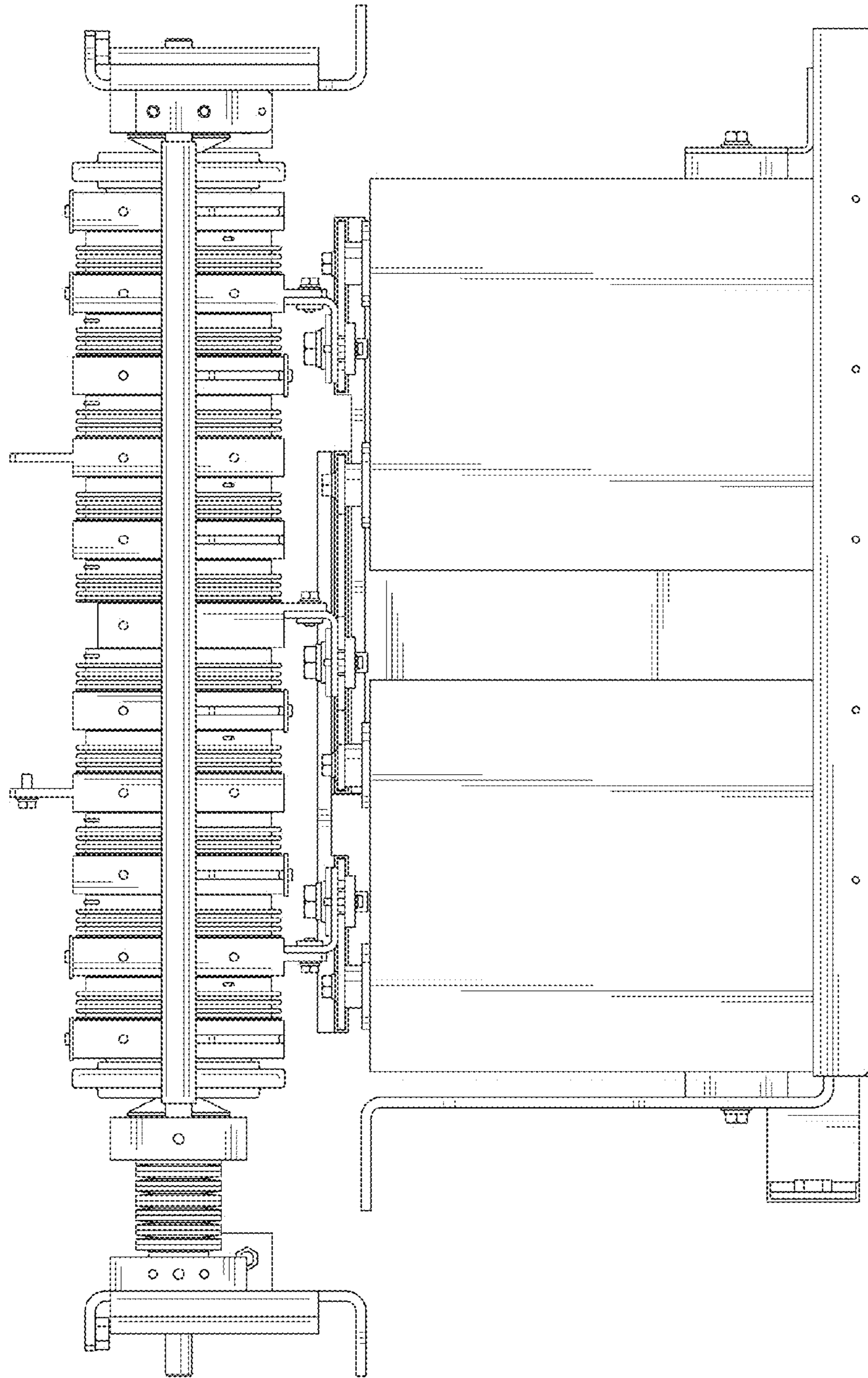


FIG. 3

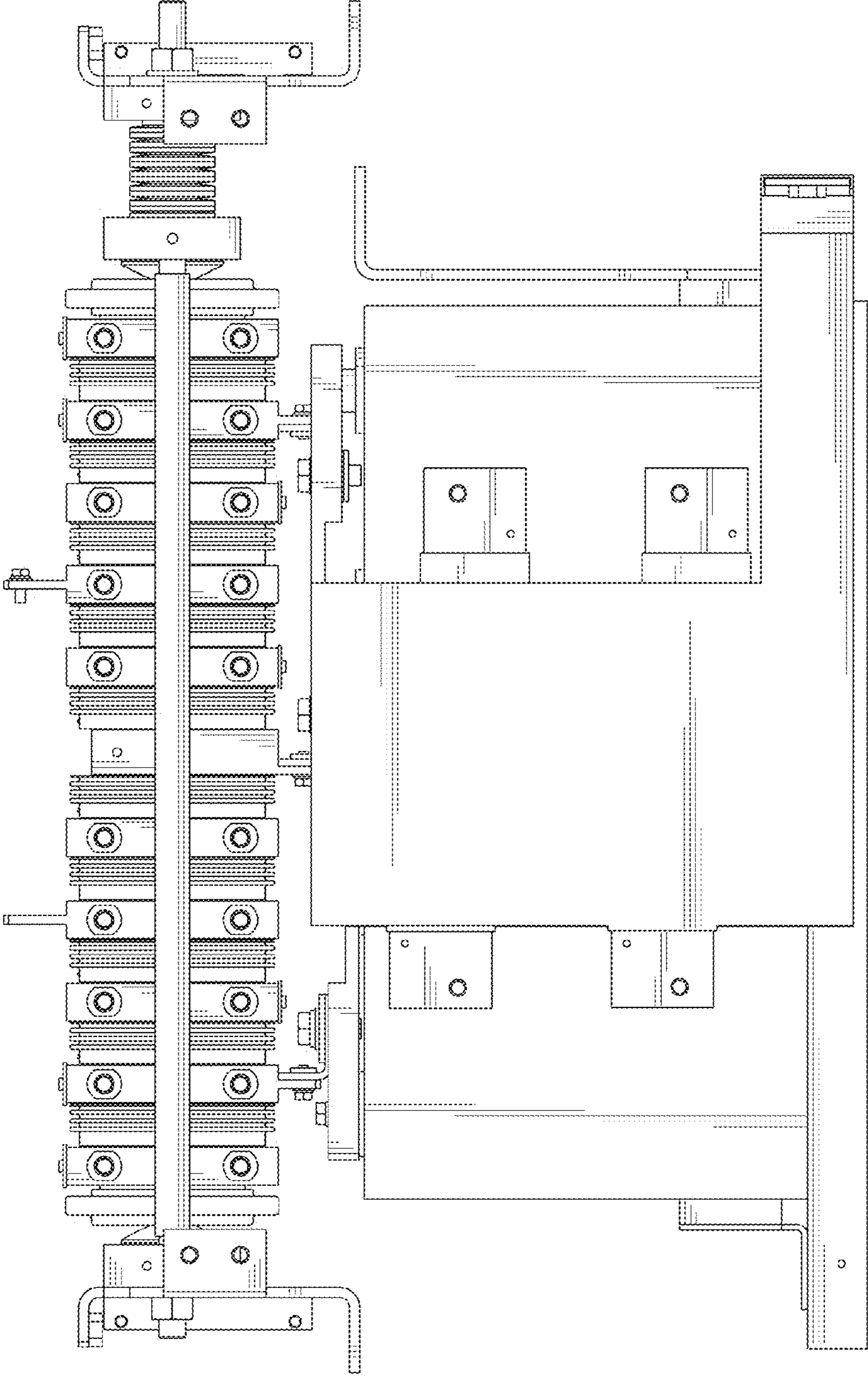


FIG. 4

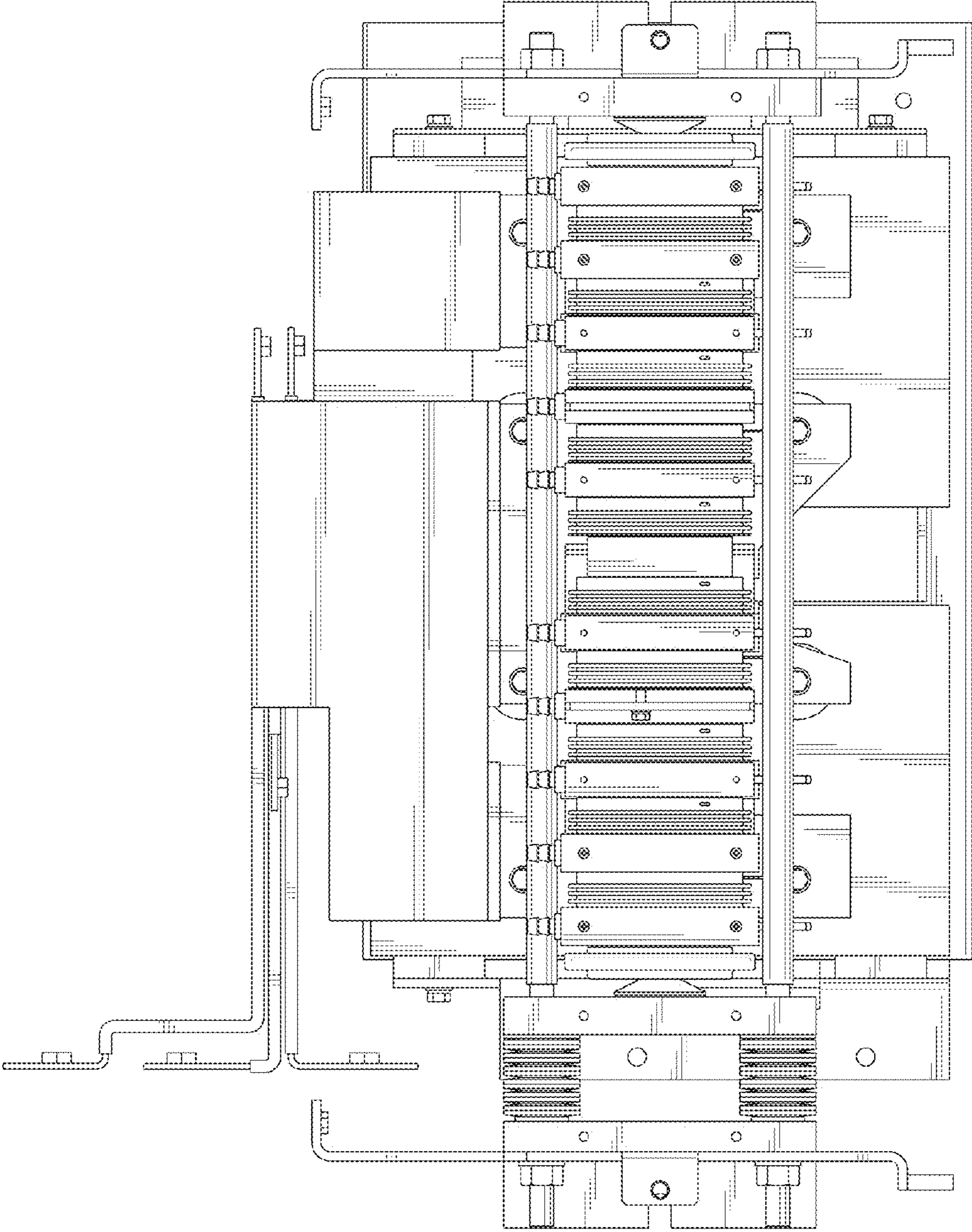


FIG. 5

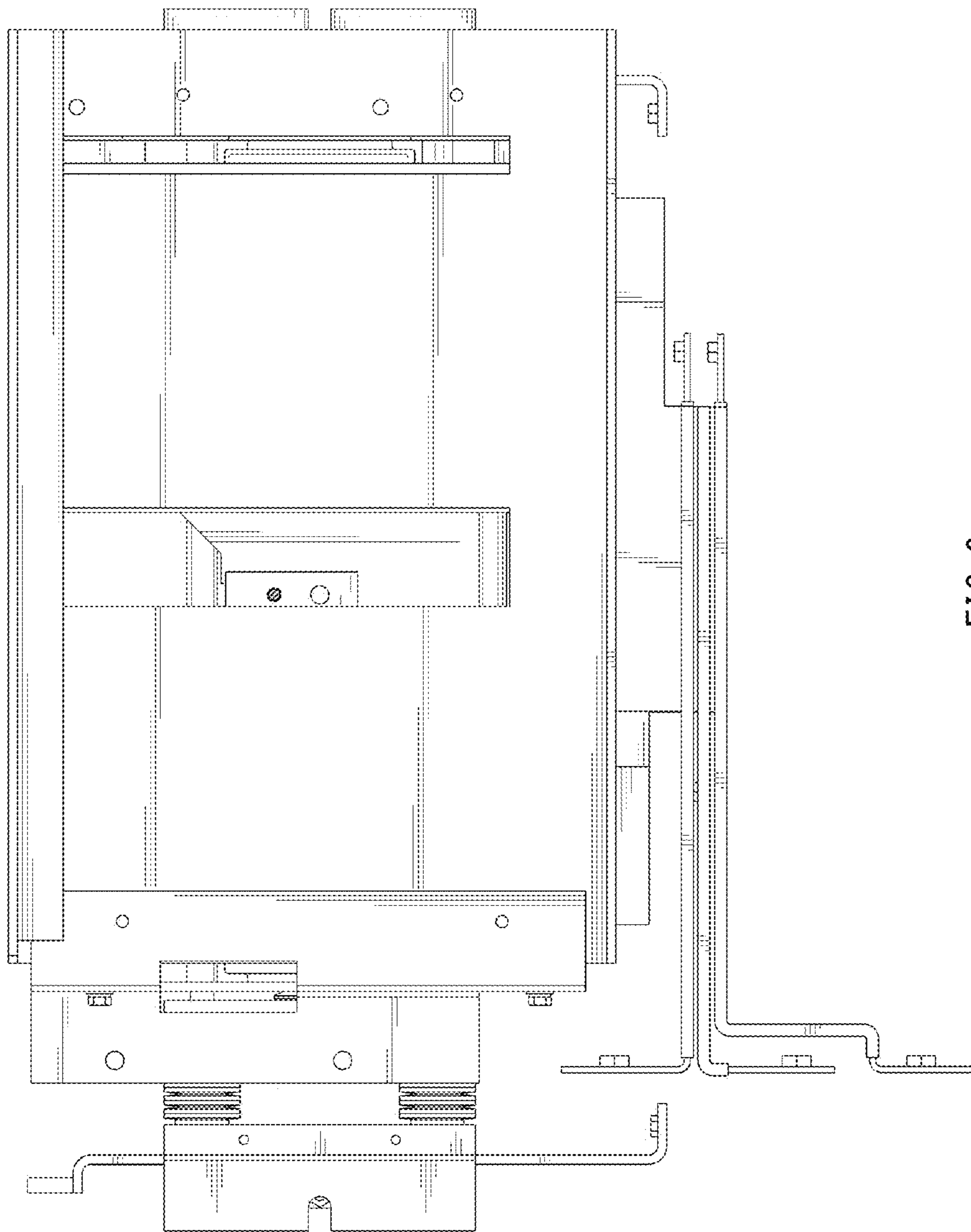


FIG. 6

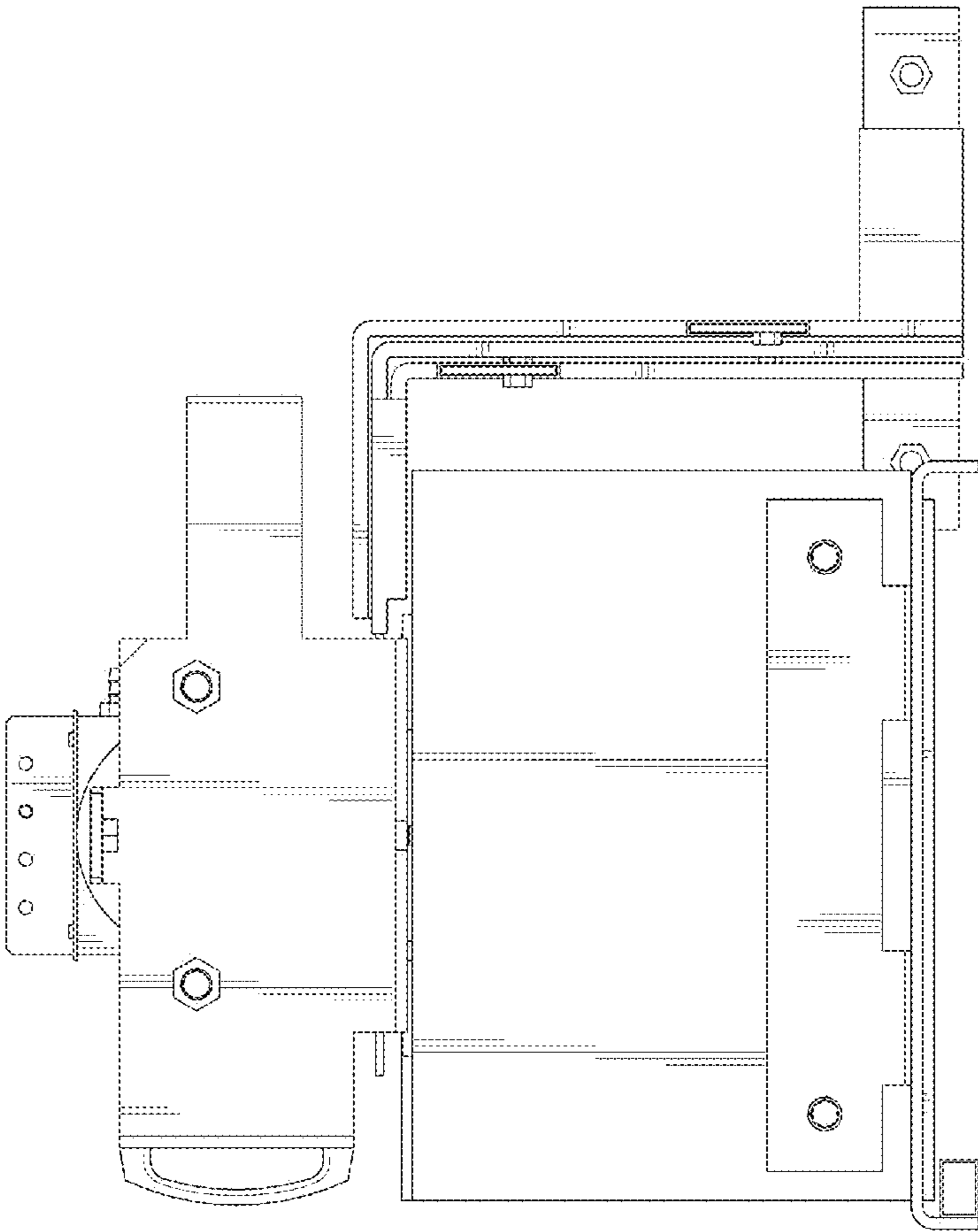


FIG. 7

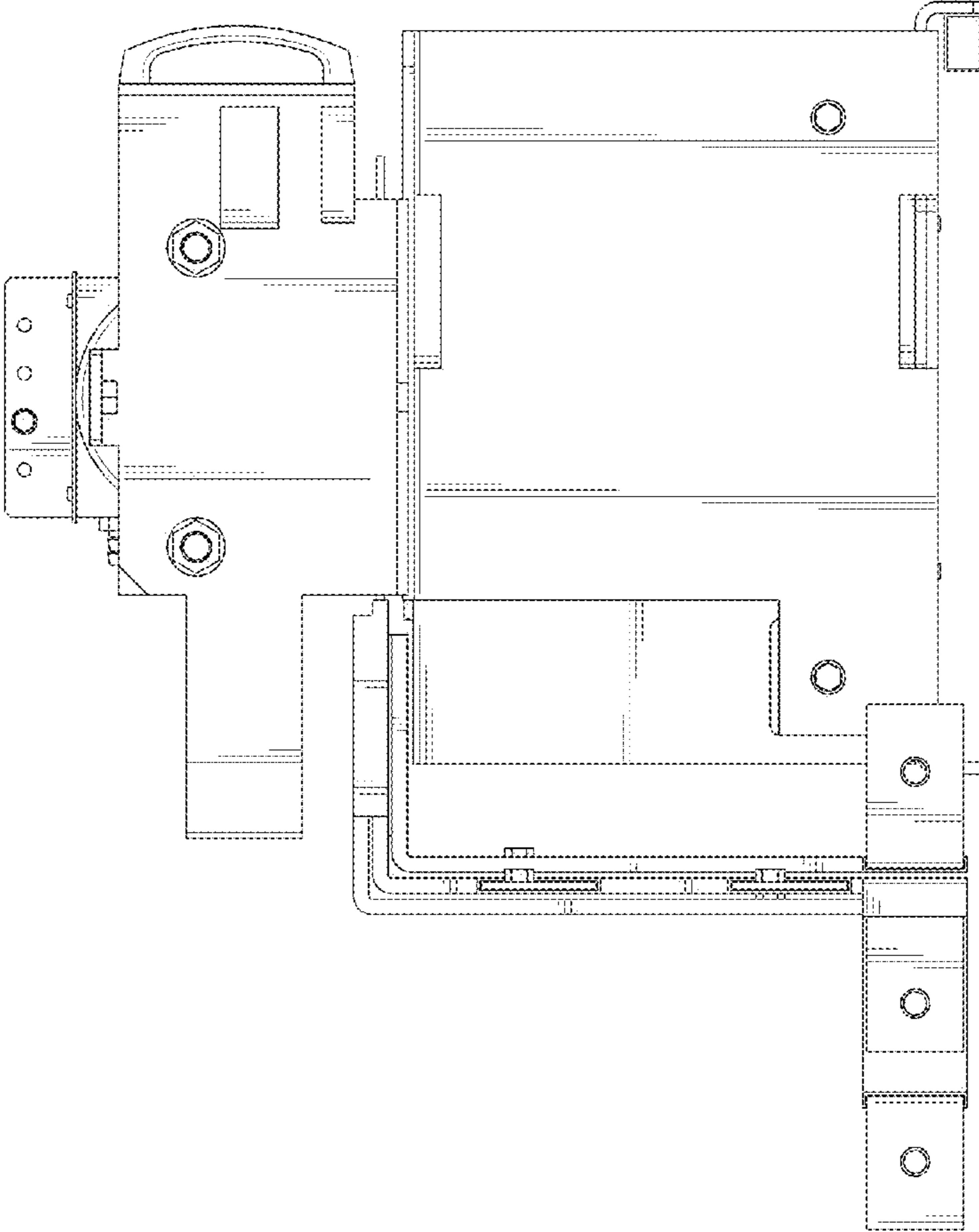


FIG. 8