



US00D727260S

(12) **United States Design Patent**  
**Aumiller et al.**

(10) **Patent No.:** **US D727,260 S**  
(45) **Date of Patent:** **\*\* Apr. 21, 2015**

(54) **CHARGER FOR AN ELECTRONIC DEVICE**

(71) Applicant: **Samsung Electronics Co., Ltd.**,  
Suwon-si (KR)

(72) Inventors: **Curtis Aumiller**, San Jose, CA (US);  
**Pranav Mistry**, Cupertino, CA (US);  
**Chengyuan Wei**, Dalian (CN)

(73) Assignee: **Samsung Electronics Co., Ltd.**,  
Suwon-si, Gyeonggi-do (KR)

(\*\*) Term: **14 Years**

(21) Appl. No.: **29/506,263**

(22) Filed: **Oct. 14, 2014**

**Related U.S. Application Data**

(63) Continuation of application No. 29/449,567, filed on  
Mar. 15, 2013, now Pat. No. Des. 718,712.

(51) **LOC (10) Cl.** ..... **13-02**

(52) **U.S. Cl.**  
USPC ..... **D13/108**

(58) **Field of Classification Search**  
USPC ..... D13/107–110, 118–119, 184, 199;  
D14/217, 251, 253, 432, 434;  
320/107–115

See application file for complete search history.

(56) **References Cited**

**U.S. PATENT DOCUMENTS**

D221,081 S *	7/1971	Kahn	.....	D13/110
D300,678 S *	4/1989	Barrault	.....	D32/73
D526,973 S *	8/2006	Gates et al.	.....	D13/184
D537,409 S *	2/2007	Suzuki	.....	D13/108
D550,614 S *	9/2007	Fee et al.	.....	D13/107
D558,207 S *	12/2007	Ikeda et al.	.....	D14/434
D558,208 S *	12/2007	Ikeda et al.	.....	D14/434
D558,209 S *	12/2007	Ikeda et al.	.....	D14/434

D575,289 S *	8/2008	Kuo et al.	.....	D14/434
D585,898 S *	2/2009	Skurdal	.....	D14/434
D602,858 S *	10/2009	Ellis et al.	.....	D13/108
D627,718 S	11/2010	Houghton		
D654,431 S *	2/2012	Stephanchick et al.	.....	D13/108
D659,093 S *	5/2012	Schmid et al.	.....	D13/108
D680,541 S *	4/2013	Lee et al.	.....	D14/434
D694,182 S	11/2013	Lee et al.		
D696,190 S	12/2013	Brandtman et al.		
D697,475 S	1/2014	Regole		
D704,634 S	5/2014	Eidelman et al.		
2009/0134838 A1 *	5/2009	Raghuprasad	.....	320/108

**OTHER PUBLICATIONS**

Robert V, Apple Watch, blog, Sep. 11, 2014, Dugom Pinoy, <http://www.dugompinoy.com/2014/09/this-is-apple-watch.html>.

\* cited by examiner

*Primary Examiner* — Rosemary K Tarcza

(74) *Attorney, Agent, or Firm* — McAndrews Held & Malloy, Ltd.

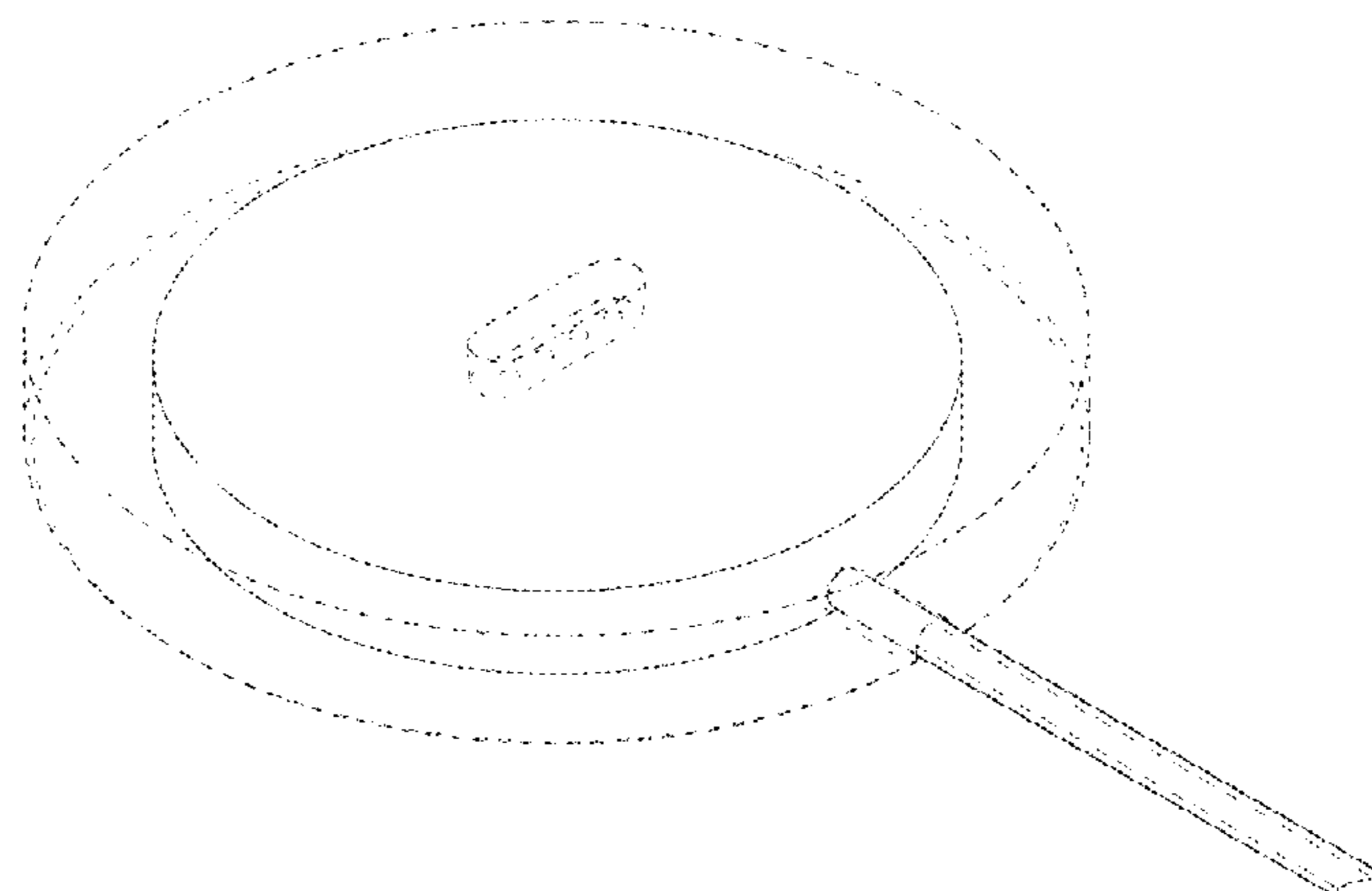
(57) **CLAIM**

The ornamental design for a charger for an electronic device, as shown and described.

**DESCRIPTION**

FIG. 1 is a top right front perspective view of a charger for an electronic device showing our new design;  
FIG. 2 is a front view thereof;  
FIG. 3 is a rear view thereof;  
FIG. 4 is a left-side elevation view thereof;  
FIG. 5 is a right-side elevation view thereof;  
FIG. 6 is a top plan view thereof;  
FIG. 7 is a bottom plan view thereof; and,  
FIG. 8 is an exploded view of FIG. 1.  
The dashed broken lines are for environmental purposes only and form no part of the claimed design.

**1 Claim, 4 Drawing Sheets**



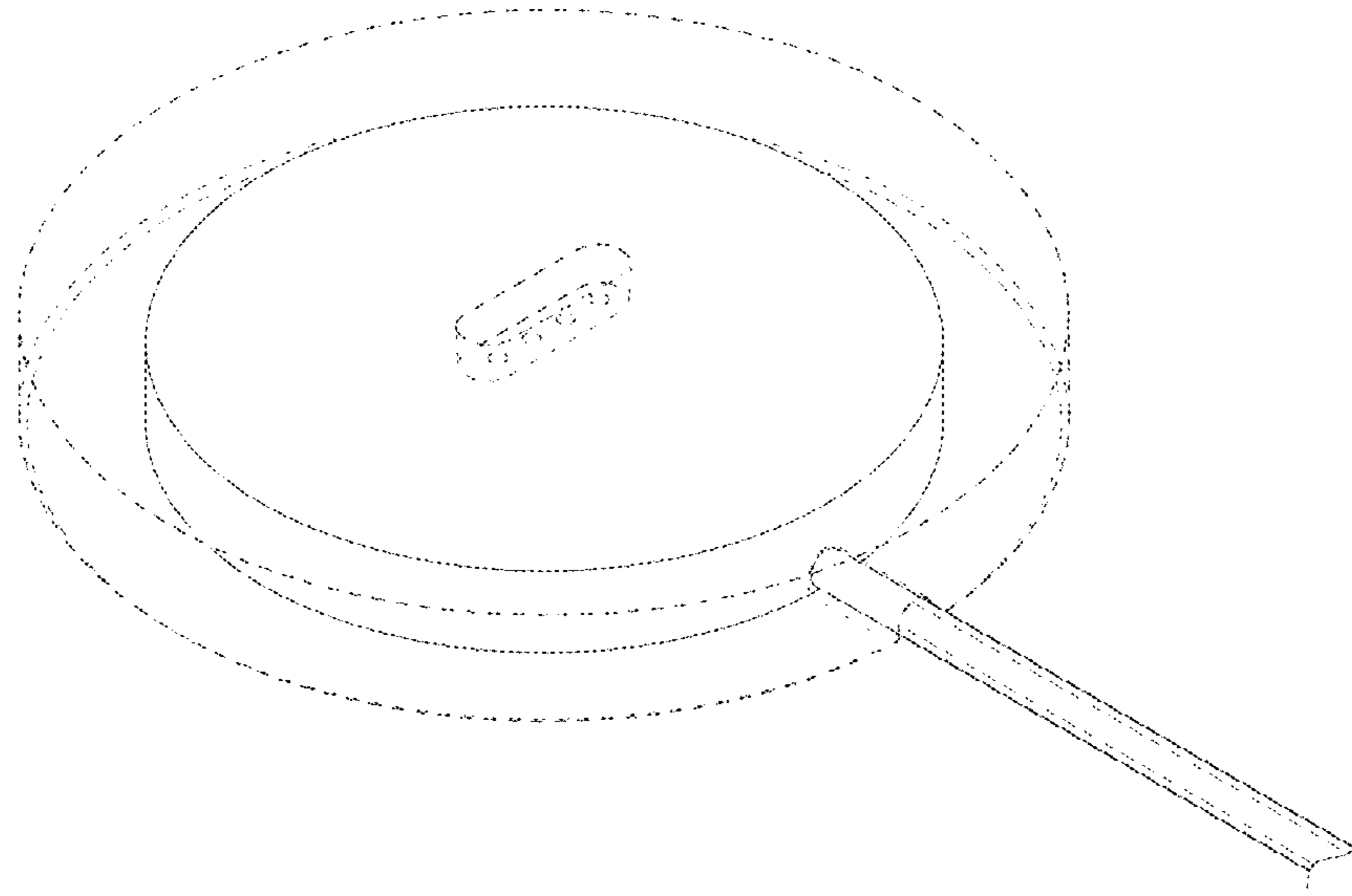


FIG.1

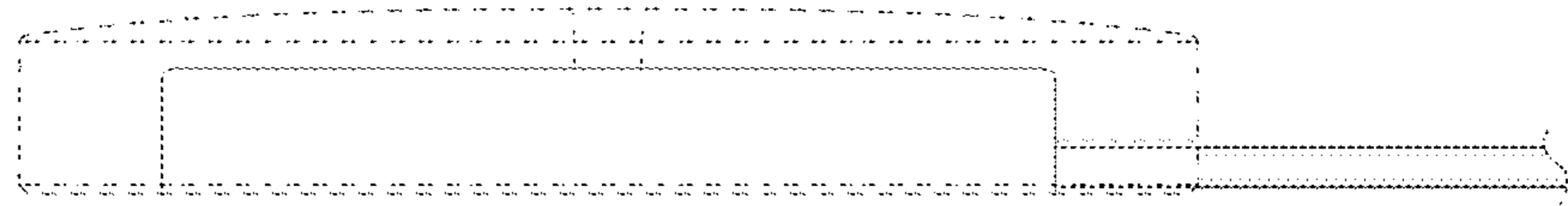


FIG. 2

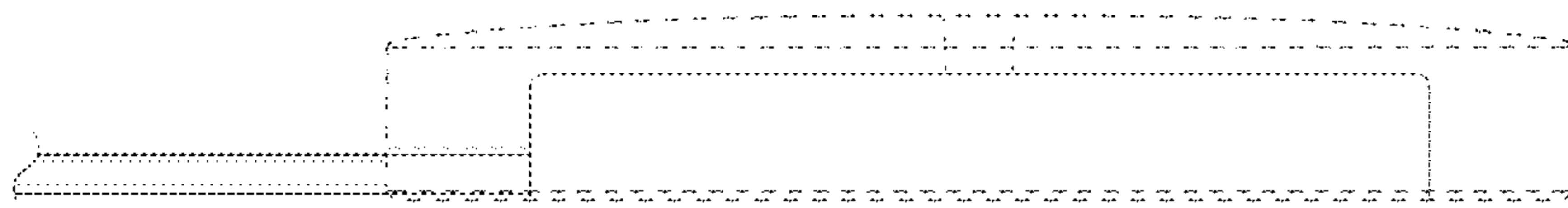


FIG. 3

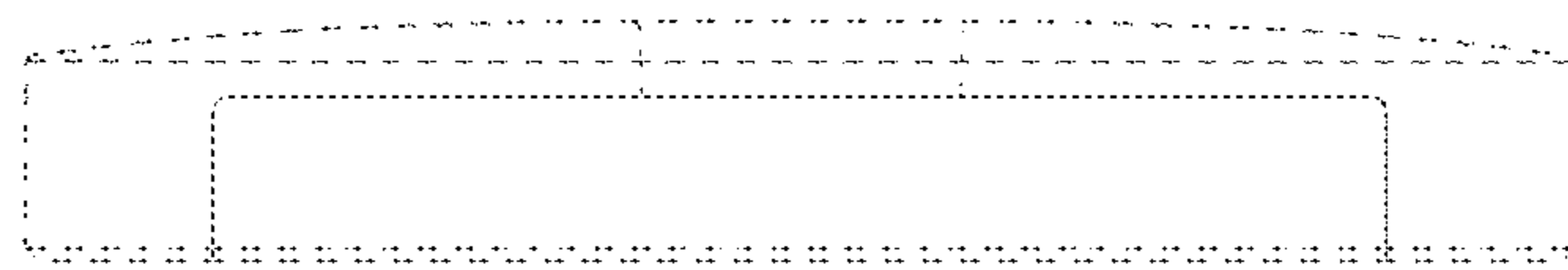


FIG. 4

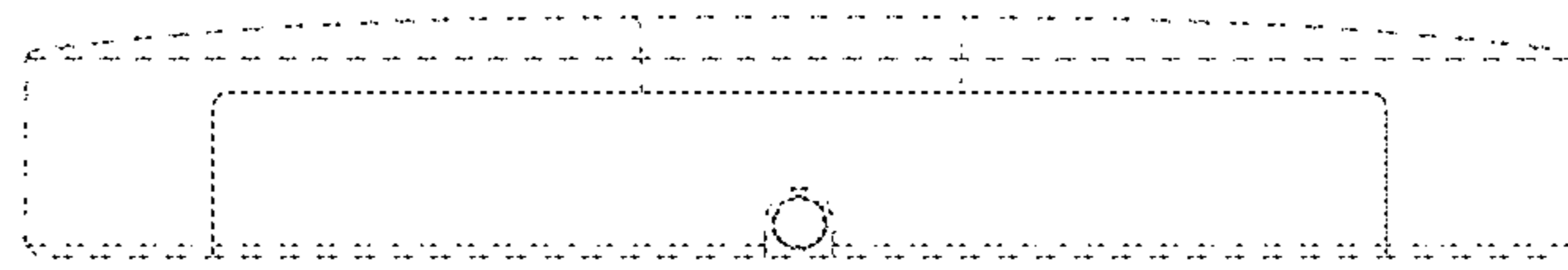


FIG. 5

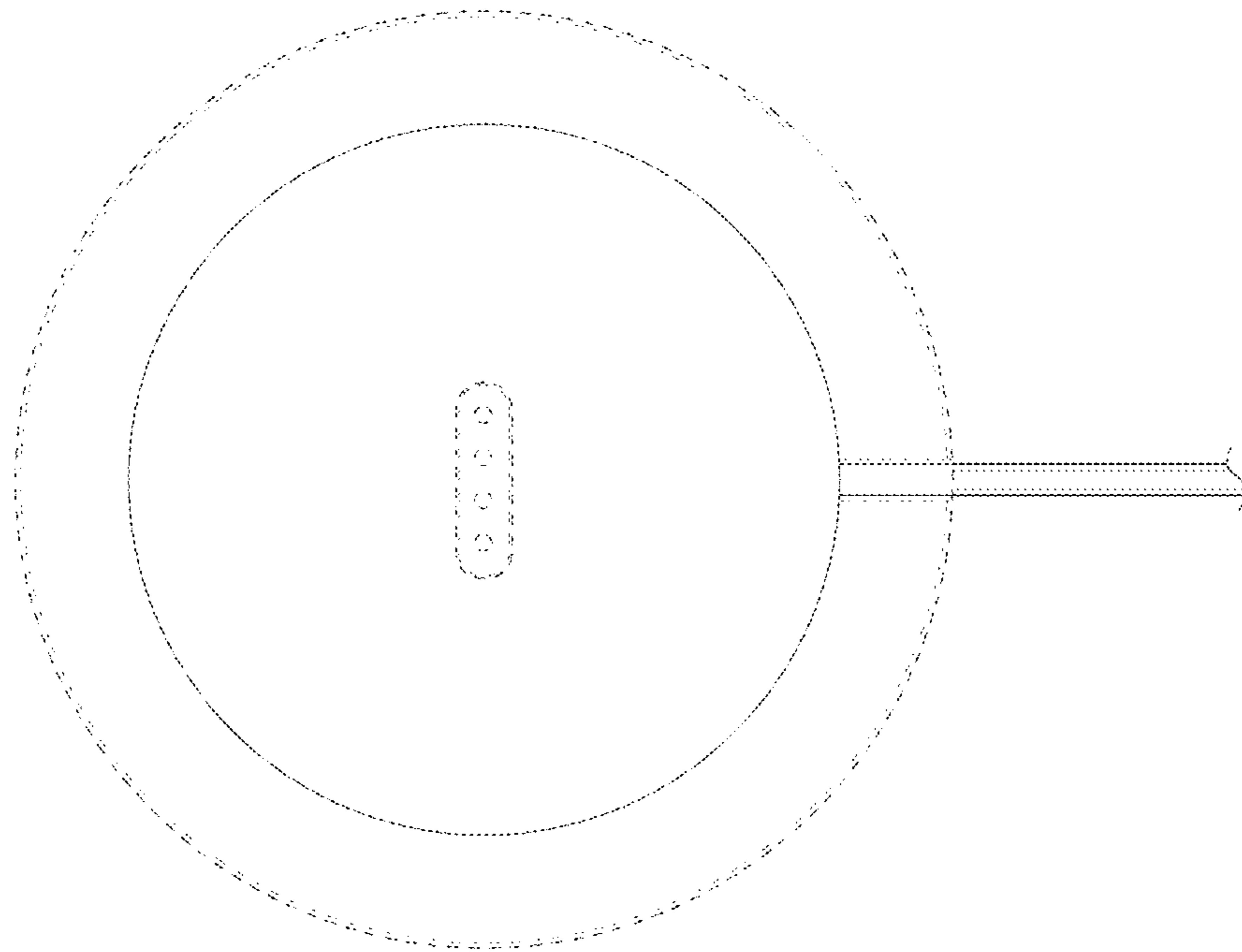


FIG. 6

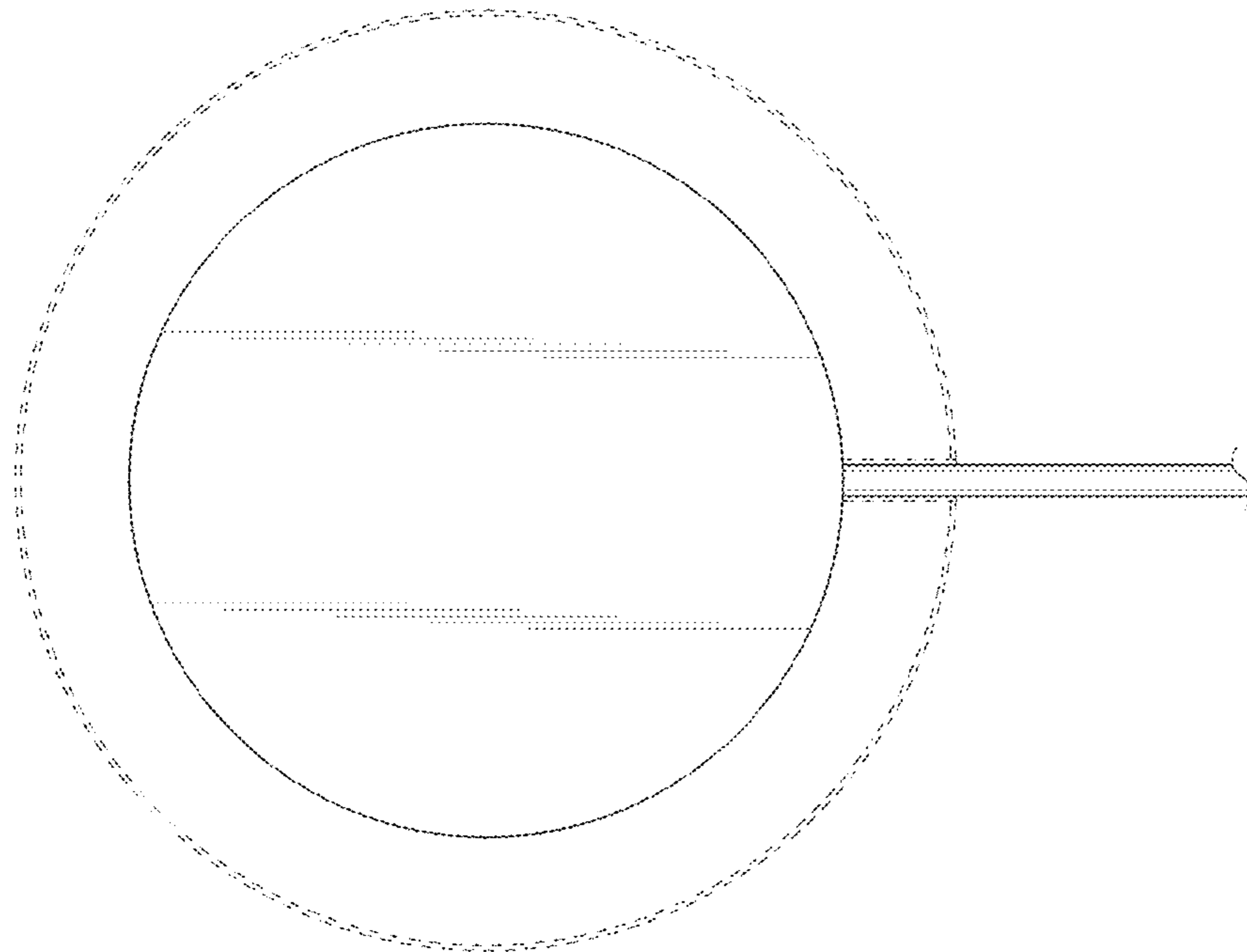


FIG. 7

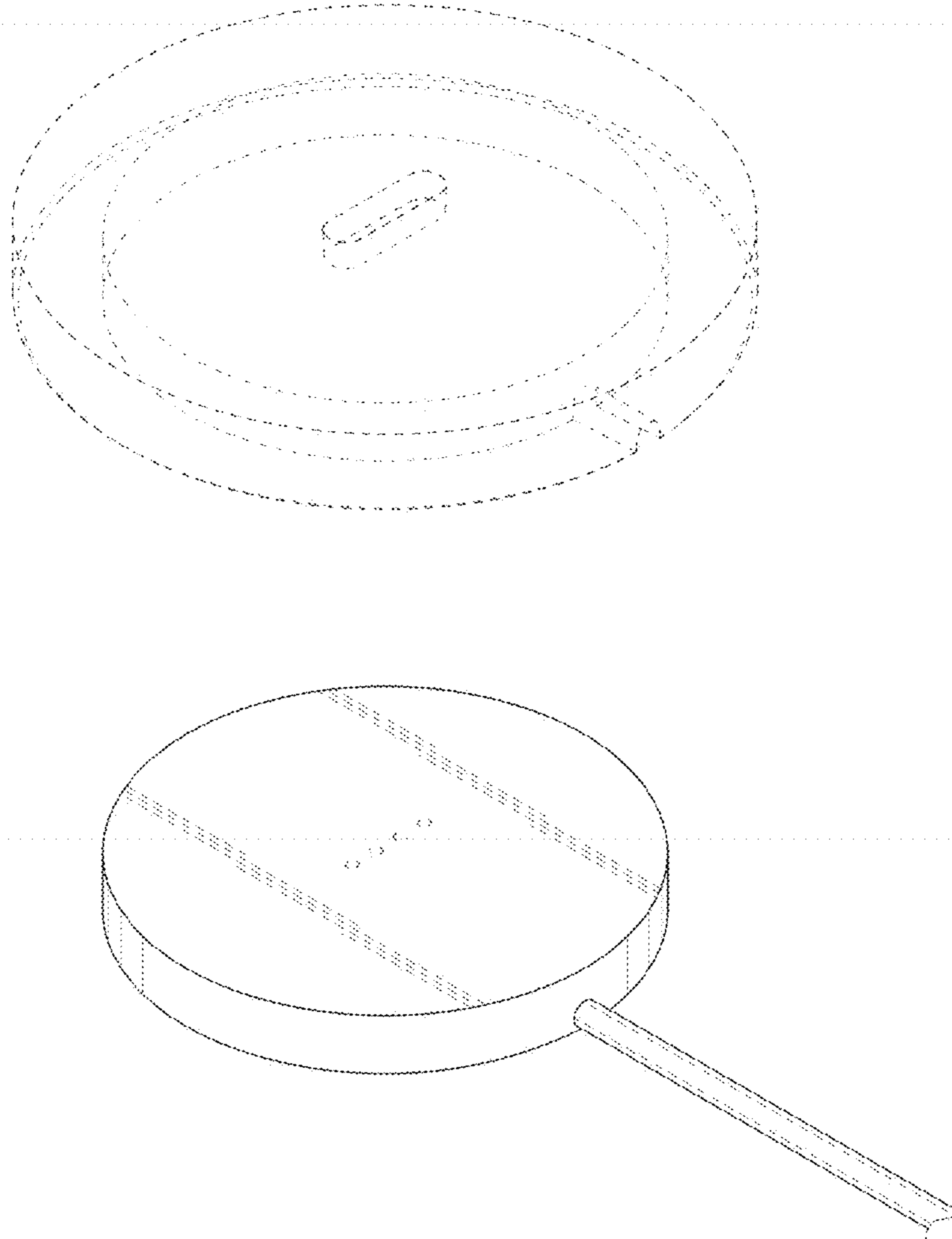


FIG.8