



US00D727256S

(12) **United States Design Patent**
Badie et al.

(10) **Patent No.:** **US D727,256 S**
(45) **Date of Patent:** **** Apr. 21, 2015**

(54) **MODULAR UNIVERSAL BATTERY CHARGER**

(75) Inventors: **Mehrdad Badie**, Gaithersburg, MD (US); **Dennis M. Crossen, Jr.**, Clarksburg, MD (US); **Brad Poston**, Rockville, MD (US)

(73) Assignee: **Thales Communications, Inc.**, Clarksburg, MD (US)

(**) Term: **14 Years**

(21) Appl. No.: **29/432,423**

(22) Filed: **Sep. 14, 2012**

(51) **LOC (10) Cl.** **13-02**

(52) **U.S. Cl.**
USPC **D13/107**

(58) **Field of Classification Search**
USPC D13/103-122, 184, 199, 133, 146;
320/107-115; D14/217, 251, 253, 432,
D14/434; 429/99

See application file for complete search history.

(56) **References Cited**

U.S. PATENT DOCUMENTS

D278,426 S *	4/1985	Lanci et al.	D13/107
D278,702 S *	5/1985	Chiodo et al.	D13/107
D278,704 S *	5/1985	Claxton et al.	D13/107
D350,329 S *	9/1994	Lindeman et al.	D13/107

D397,084 S *	8/1998	Siddoway	D13/107
6,018,227 A *	1/2000	Kumar et al.	320/106
D528,072 S *	9/2006	Chen et al.	D13/108
D588,536 S *	3/2009	Wahl et al.	D13/108
D601,953 S *	10/2009	Asai	D13/107
7,838,142 B2 *	11/2010	Scheucher	429/99
7,956,573 B1 *	6/2011	Rosen	320/110
2009/0212738 A1 *	8/2009	Coonan et al.	320/113
2011/0121783 A1 *	5/2011	Boyles et al.	320/113

* cited by examiner

Primary Examiner — Susan Bennett Hattan

Assistant Examiner — Brett Miller

(74) *Attorney, Agent, or Firm* — Arent Fox LLP

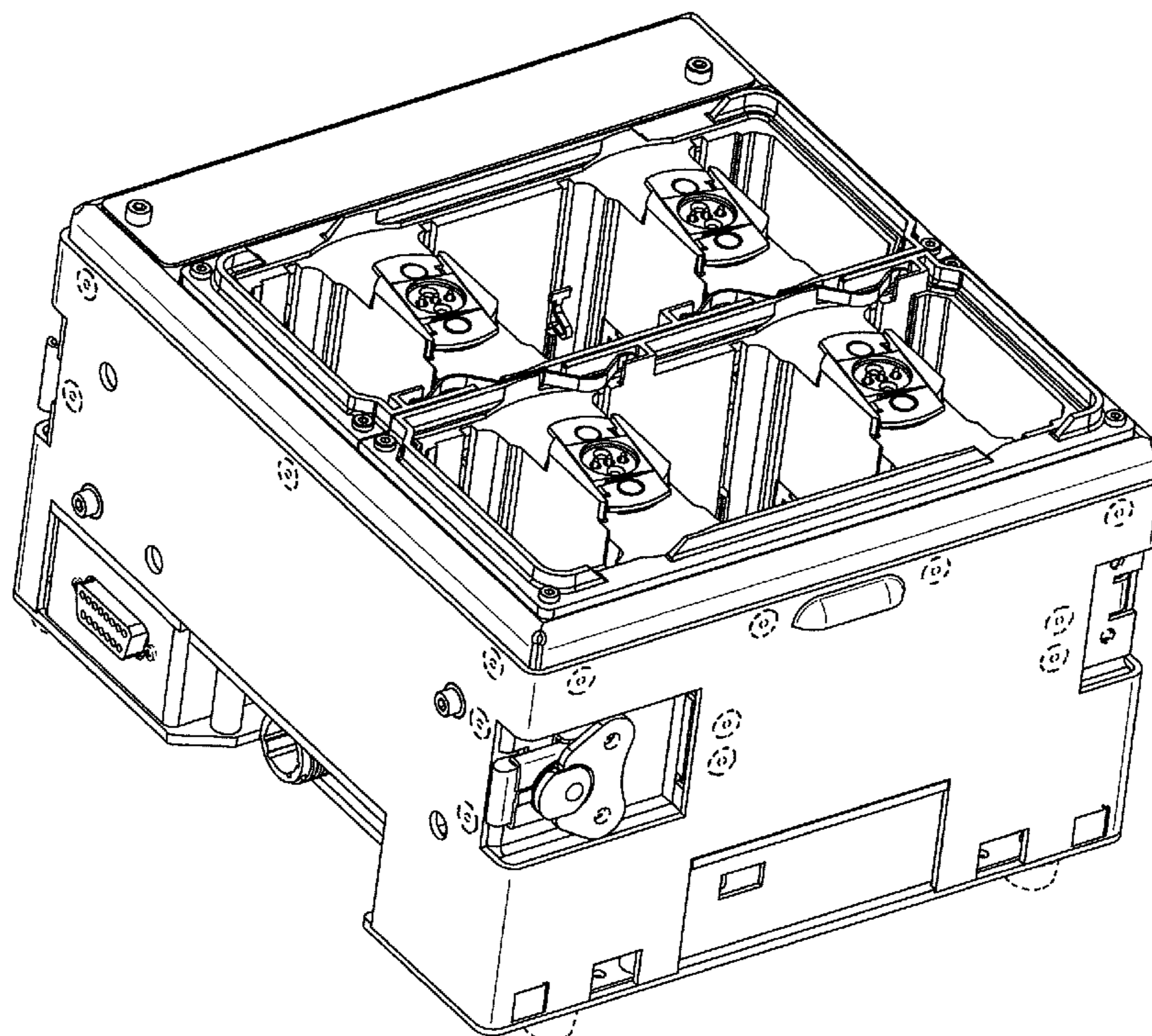
(57) **CLAIM**

The ornamental design for a modular universal battery charger, as shown and described.

DESCRIPTION

FIG. 1 is a perspective view of a modular universal battery charger showing our new design;
FIG. 2 is a front view of the design shown in FIG. 1;
FIG. 3 is a back view of the design shown in FIG. 1;
FIG. 4 is a left side view of the design shown in FIG. 1;
FIG. 5 is a right side view of the design shown in FIG. 1;
FIG. 6 is a top view of the design shown in FIG. 1; and,
FIG. 7 is a bottom view of the design shown in FIG. 1.
The broken lines depict environmental subject matter and form no part of the claimed design.

1 Claim, 7 Drawing Sheets



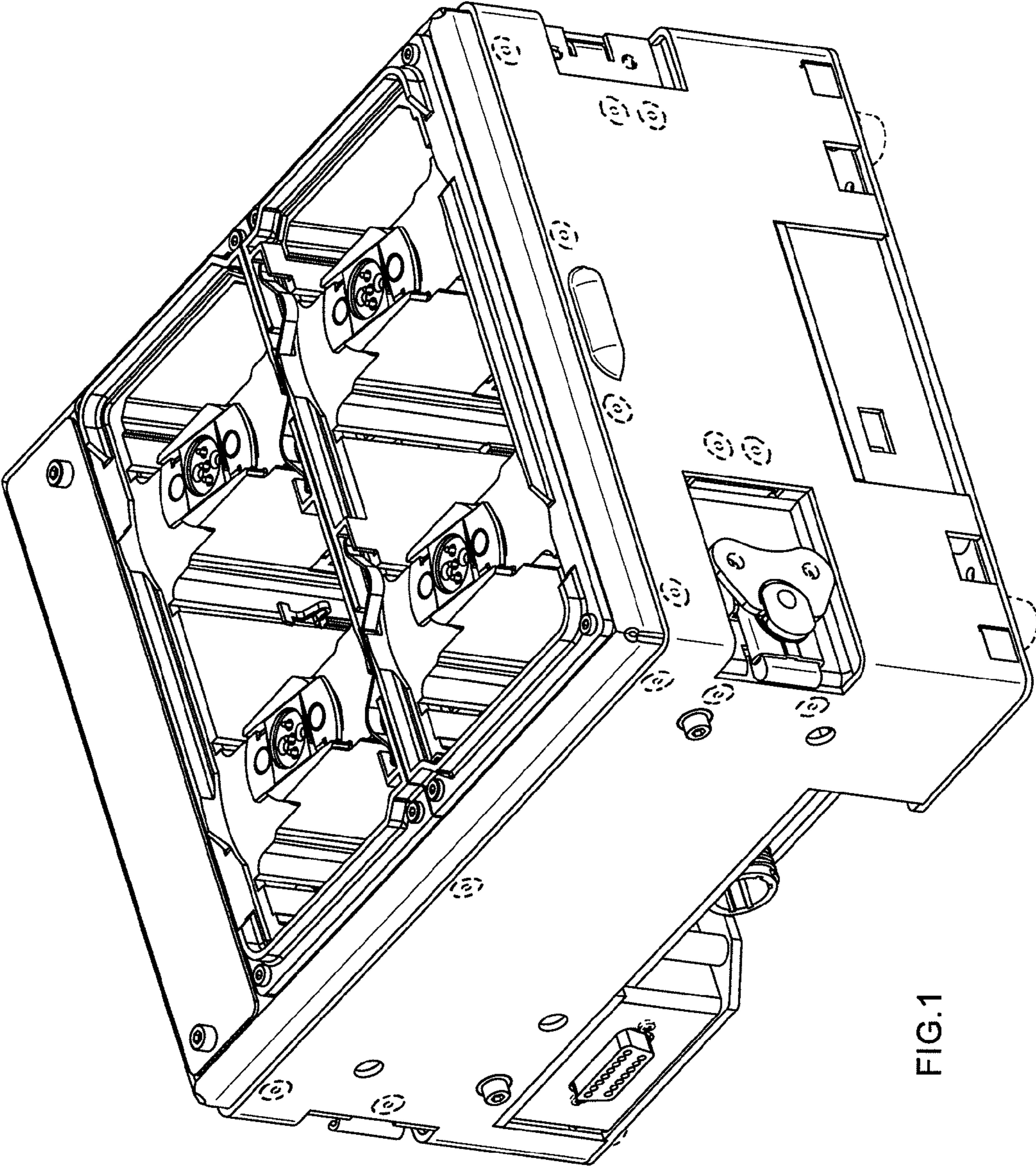


FIG.1

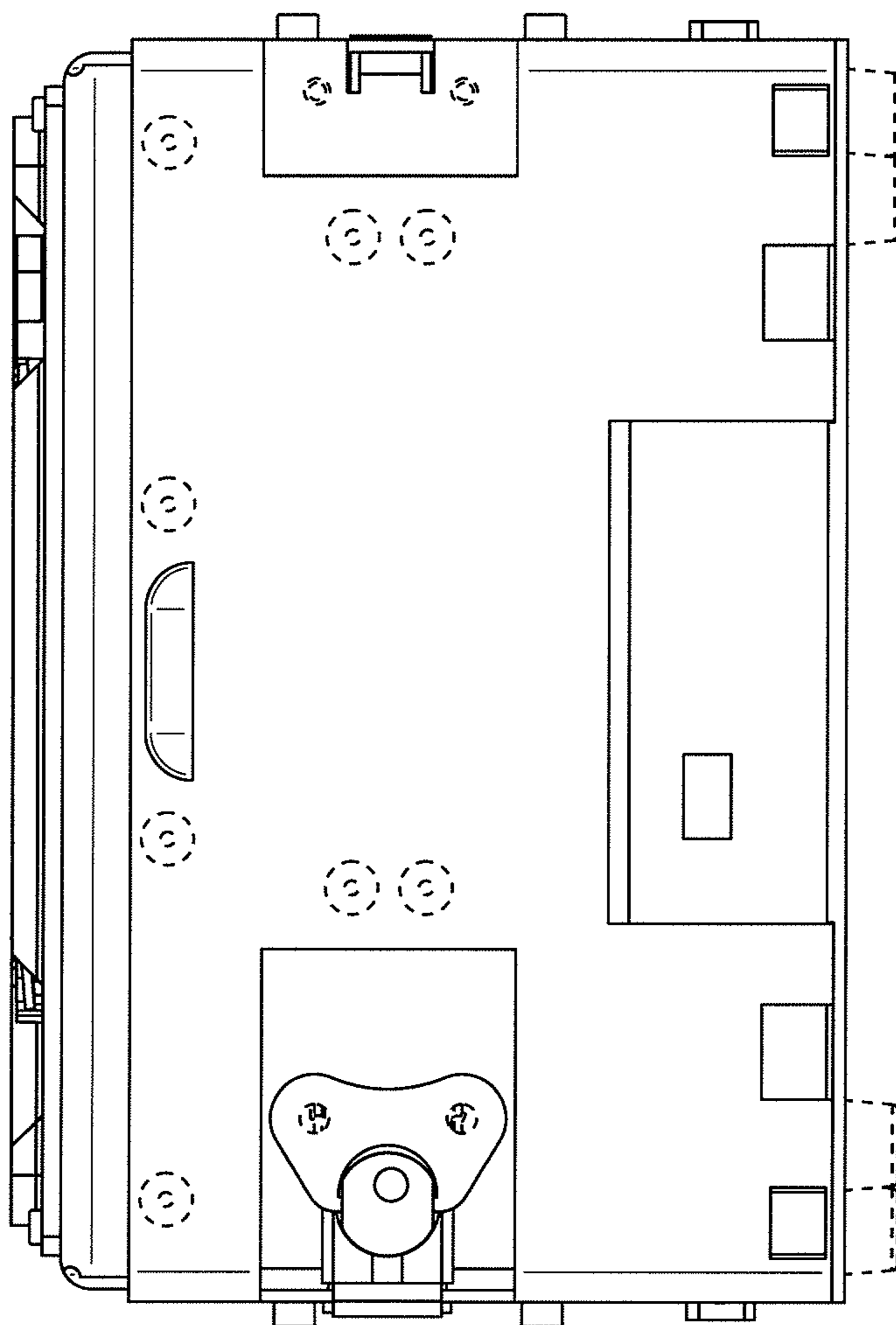


FIG.2

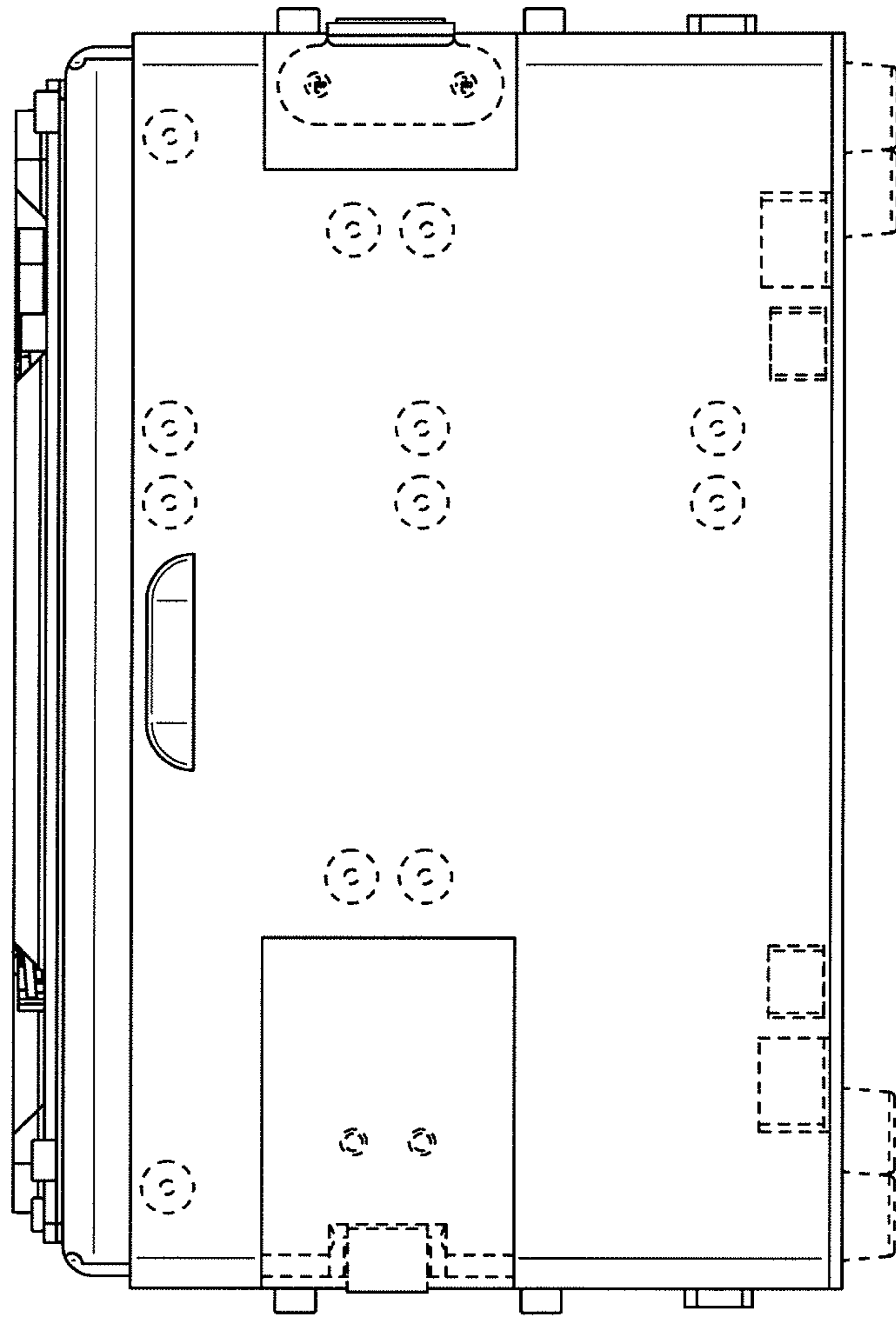


FIG.3

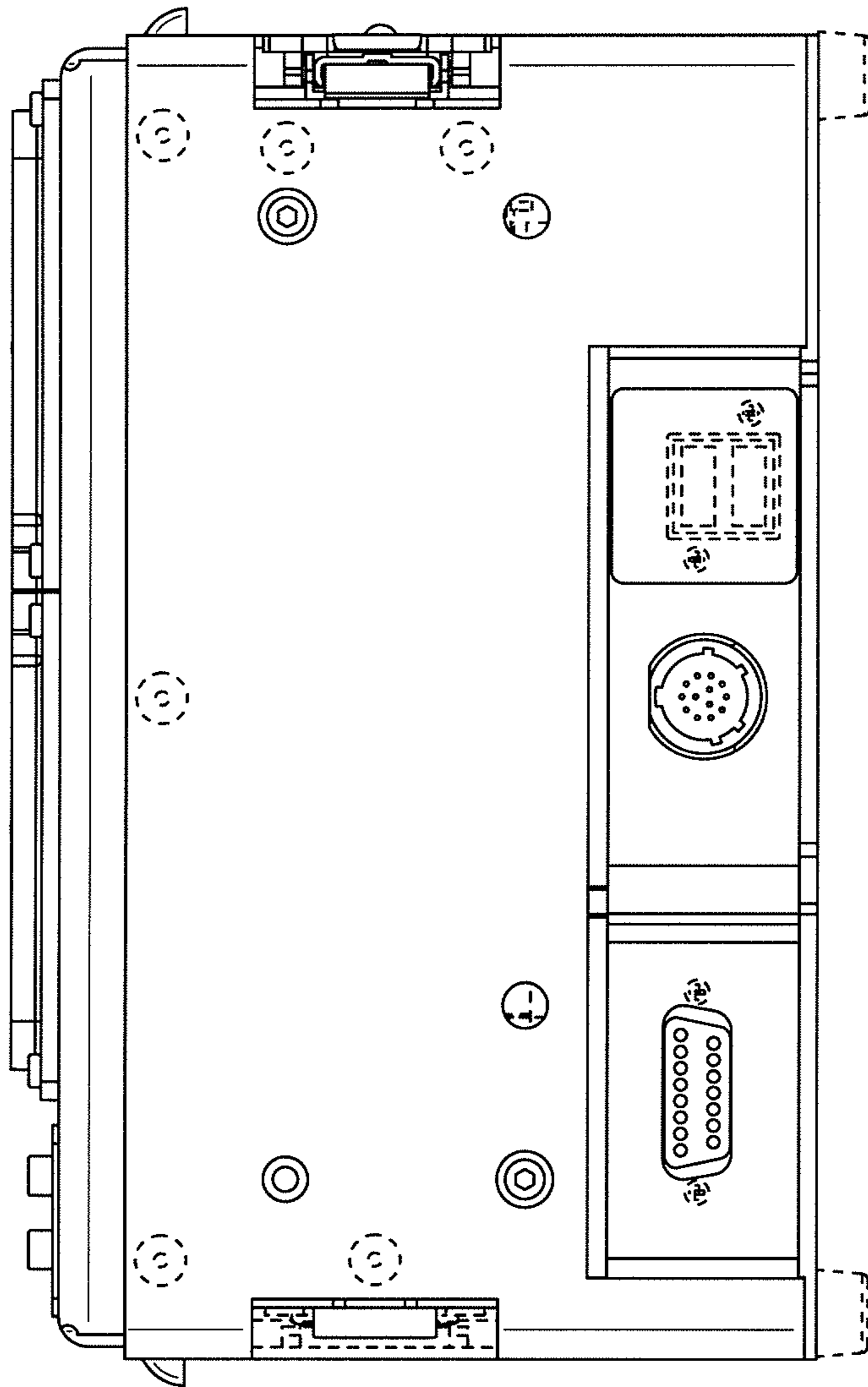


FIG. 4

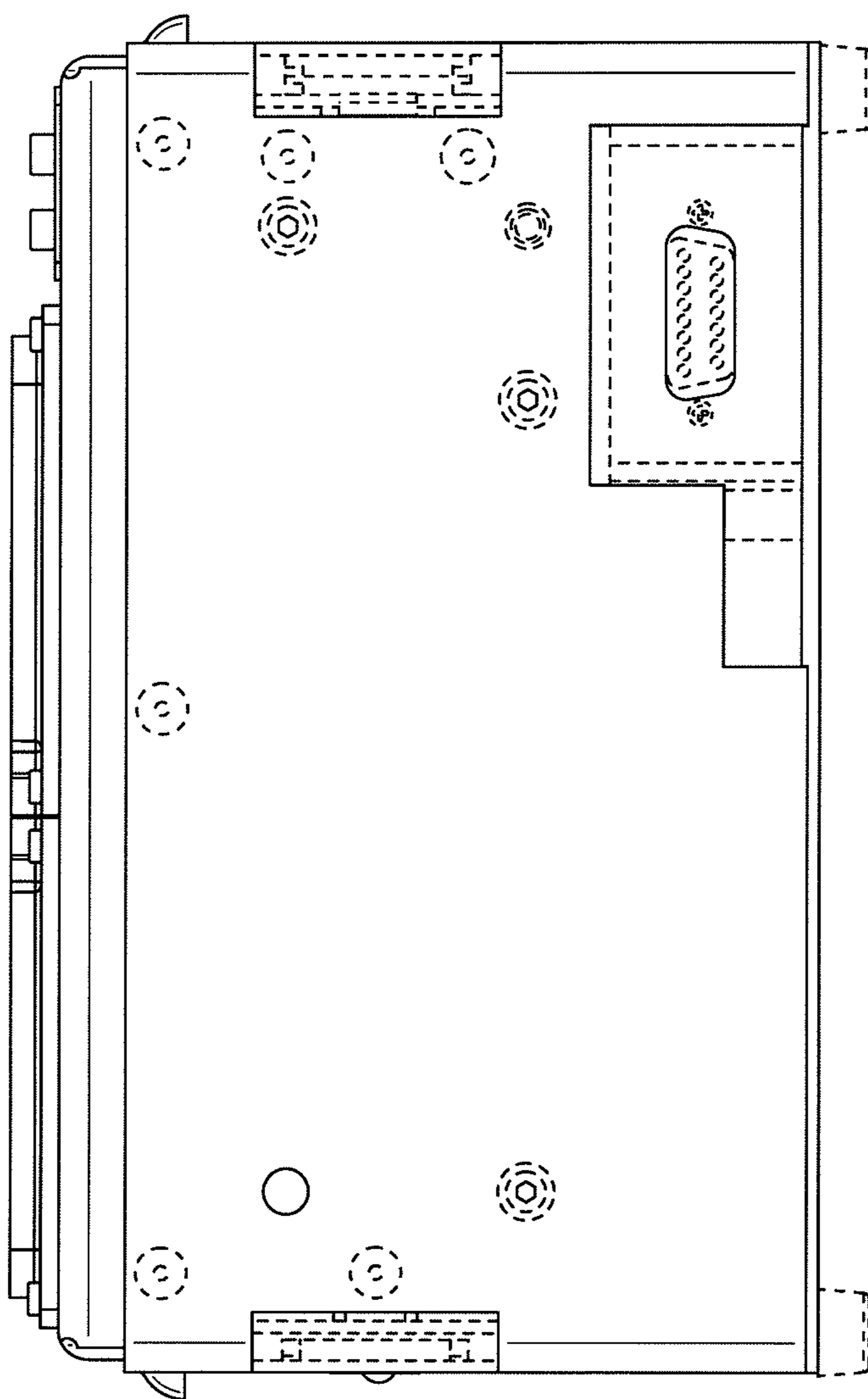


FIG.5

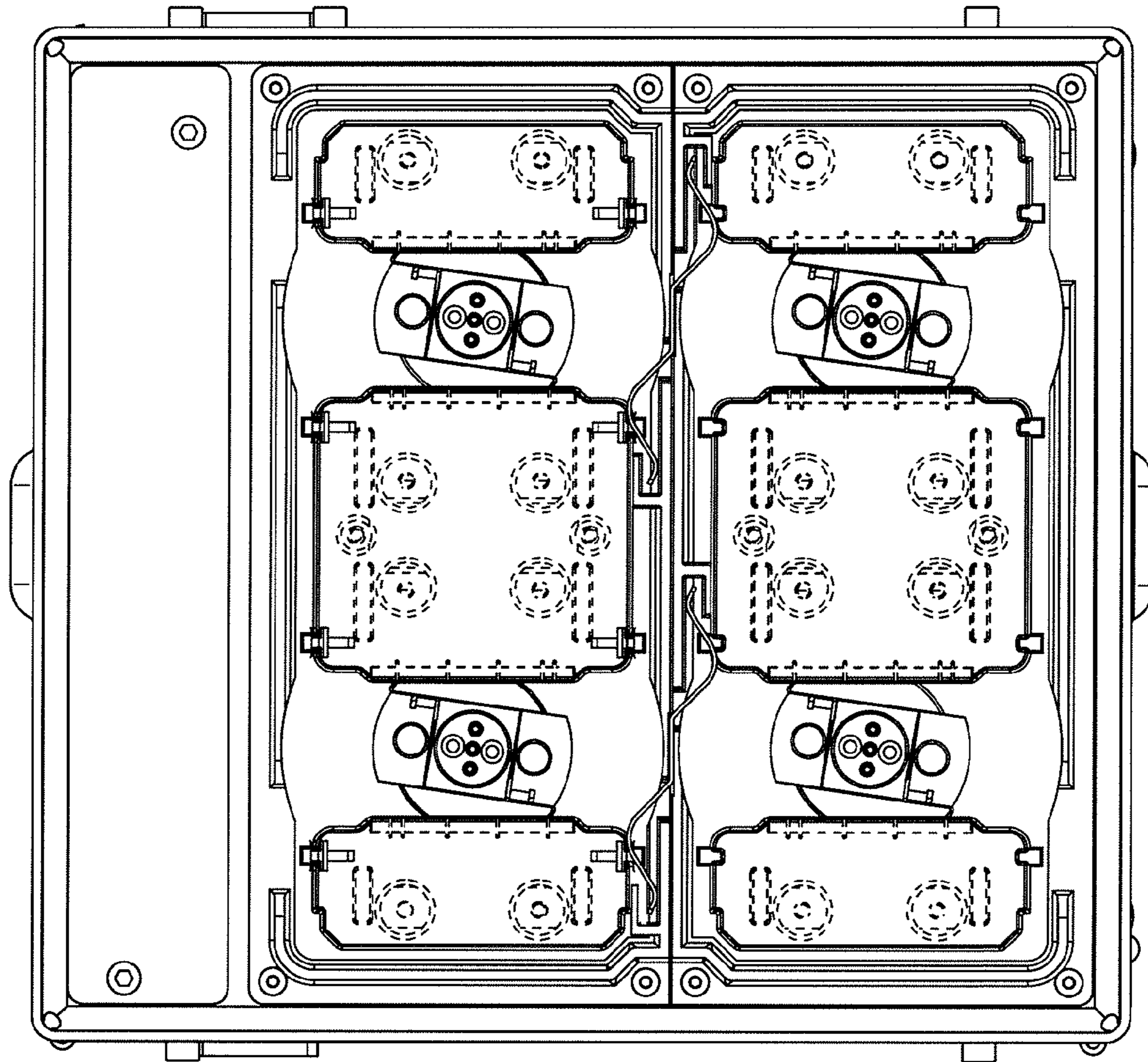


FIG.6

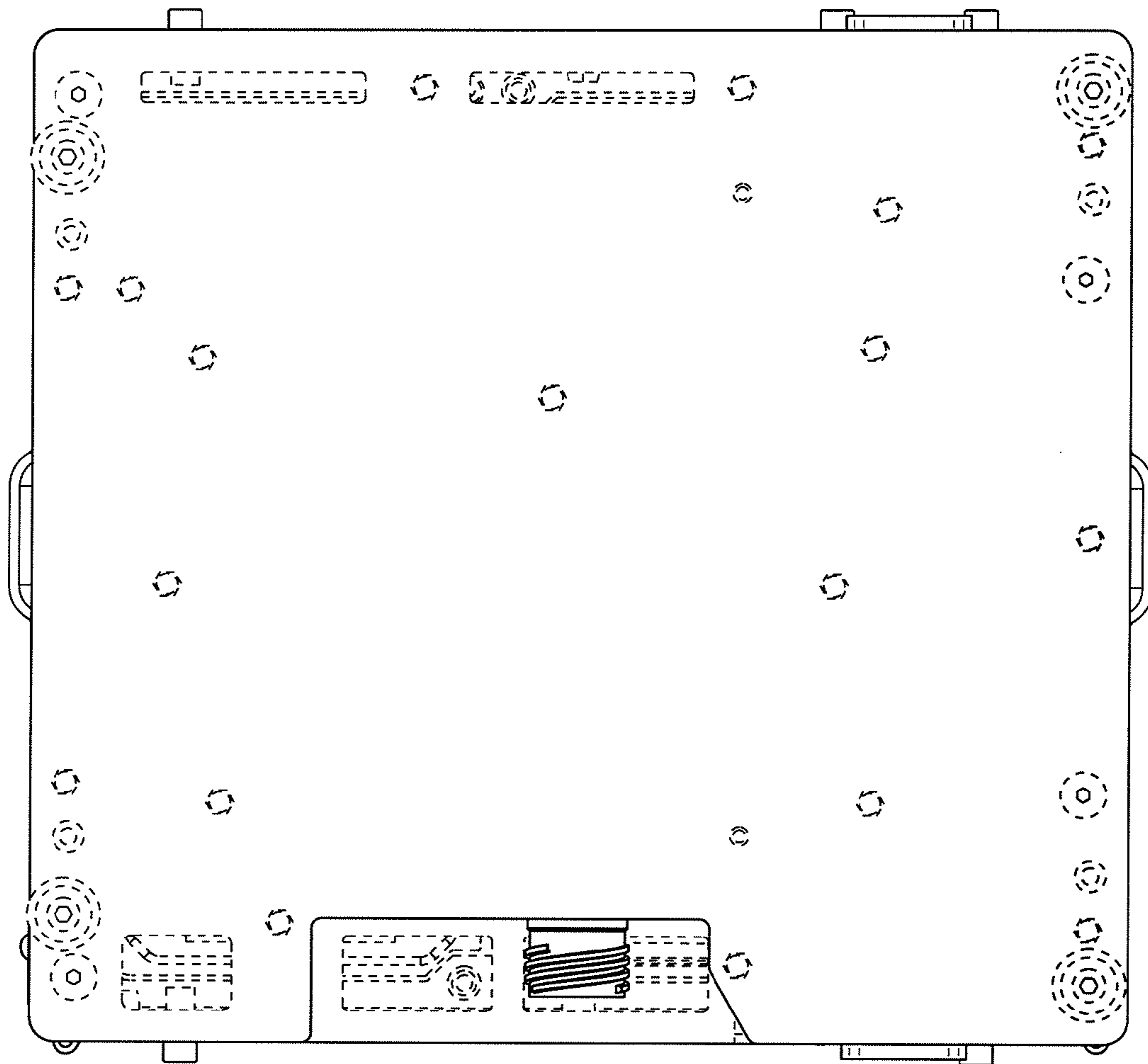


FIG.7