



US00D727254S

(12) **United States Design Patent**
Kinoshita et al.

(10) **Patent No.:** **US D727,254 S**

(45) **Date of Patent:** **** Apr. 21, 2015**

(54) **BATTERY PACK**

(71) Applicant: **Seiko Epson Corporation**, Tokyo (JP)

(72) Inventors: **Yoshiki Kinoshita**, Suwa (JP); **Takehiro Kobayashi**, Matsumoto (JP); **Masaki Hirai**, Okaya (JP); **Michihiro Shimizu**, Nagano (JP)

(73) Assignee: **Seiko Epson Corporation**, Tokyo (JP)

(**) Term: **14 Years**

(21) Appl. No.: **29/492,160**

(22) Filed: **May 29, 2014**

(30) **Foreign Application Priority Data**

Dec. 25, 2013 (JP) 2013-030309

(51) **LOC (10) Cl.** **13-02**

(52) **U.S. Cl.**
USPC **D13/103**

(58) **Field of Classification Search**
CPC Y02E 60/12; Y02E 60/122; Y02E 60/124;
Y02E 60/50; H01M 2/02; H01M 2/022;
H01M 2/0202; H01M 2/0207; H01M 2/0212;
H01M 2/1061; H01M 2/1022; H01M 2/1055;
H01M 2/1066; H01M 2/105; H01M 2/204;
H01M 10/4257; H01M 10/0436; H01M 10/48
USPC D13/102-106, 110, 119-121, 184;
429/96-100, 163, 176

See application file for complete search history.

(56) **References Cited**

U.S. PATENT DOCUMENTS

D374,424	S	*	10/1996	Nagele et al.	D13/103
D376,127	S	*	12/1996	Nagele et al.	D13/103
D409,562	S	*	5/1999	Johansson et al.	D13/103
D490,370	S	*	5/2004	Picardo	D13/103
D534,491	S	*	1/2007	Panebianco et al.	D13/119
D538,225	S	*	3/2007	Lyman et al.	D13/119
D591,231	S	*	4/2009	Wung et al.	D13/103
D637,552	S	*	5/2011	Inman et al.	D13/103
D642,517	S	*	8/2011	Inman et al.	D13/103
D663,264	S	*	7/2012	London	D13/103
D686,570	S	*	7/2013	Hutnak	D13/103
D699,179	S	*	2/2014	Alexander	D13/103

* cited by examiner

Primary Examiner — Rosemary K Tarca

(57) **CLAIM**

The ornamental design for a battery pack, as shown and described.

DESCRIPTION

FIG. 1 is a front, top and right side perspective view of a battery pack showing our new design;
FIG. 2 is a rear, bottom and left side perspective view thereof;
FIG. 3 is a front view thereof;
FIG. 4 is a rear view thereof;
FIG. 5 is a top plan view thereof;
FIG. 6 is a bottom plan view thereof; and,
FIG. 7 is a right side view thereof, the left side view being a mirror image of FIG. 7.
The features shown in broken lines in the drawings depict environmental subject matter only and form no part of the claimed design.

1 Claim, 7 Drawing Sheets

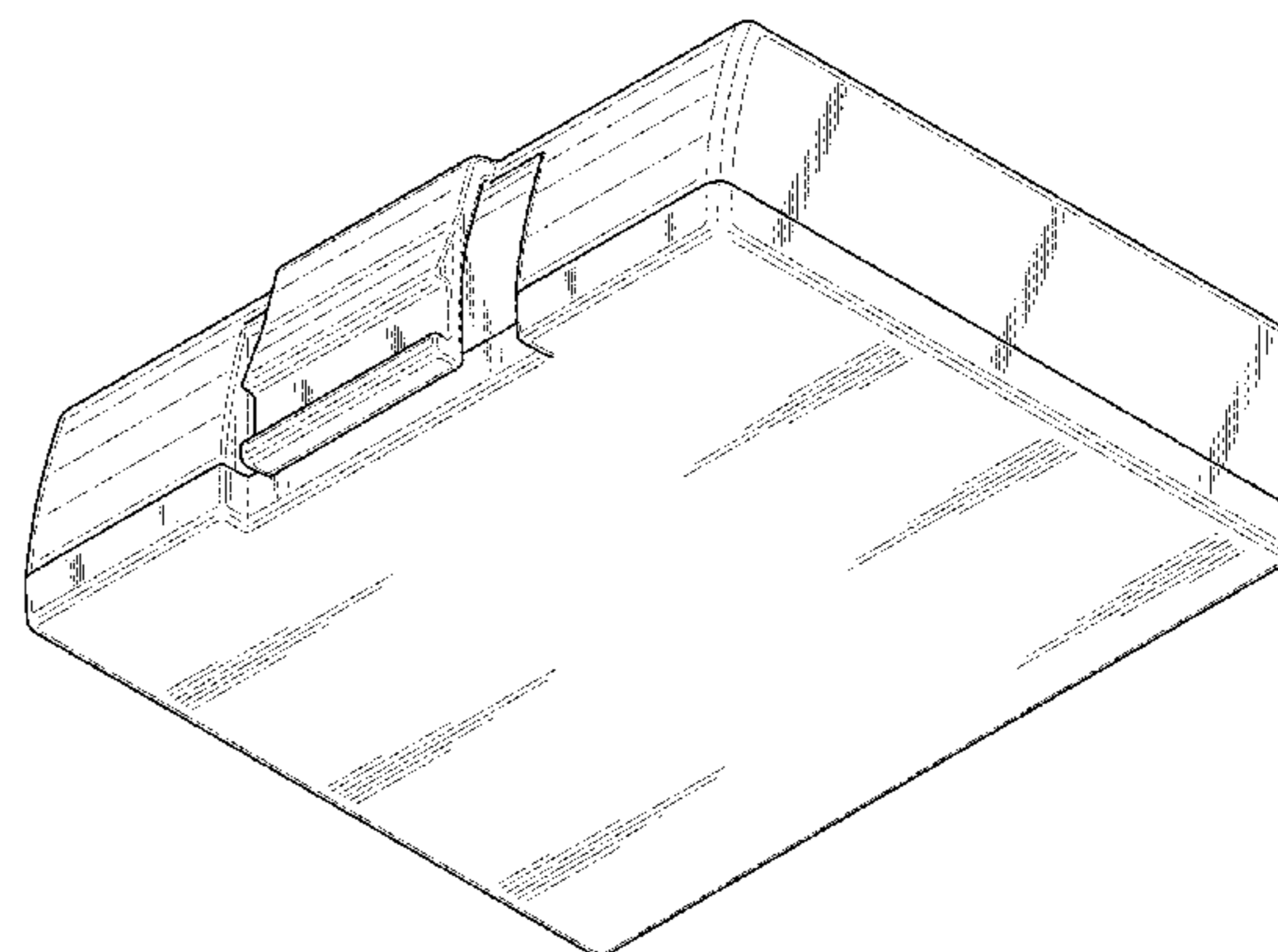
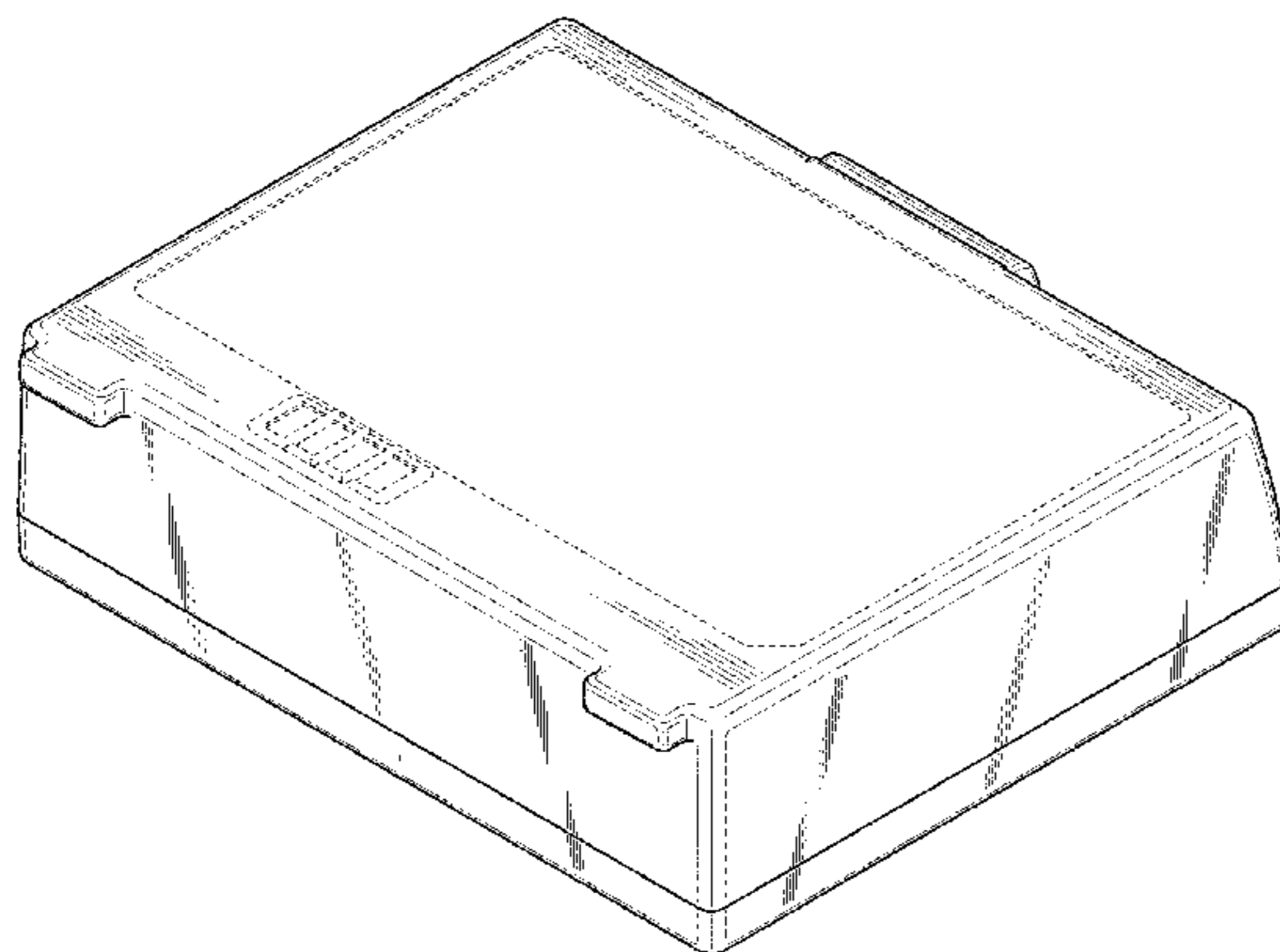


FIG. 1

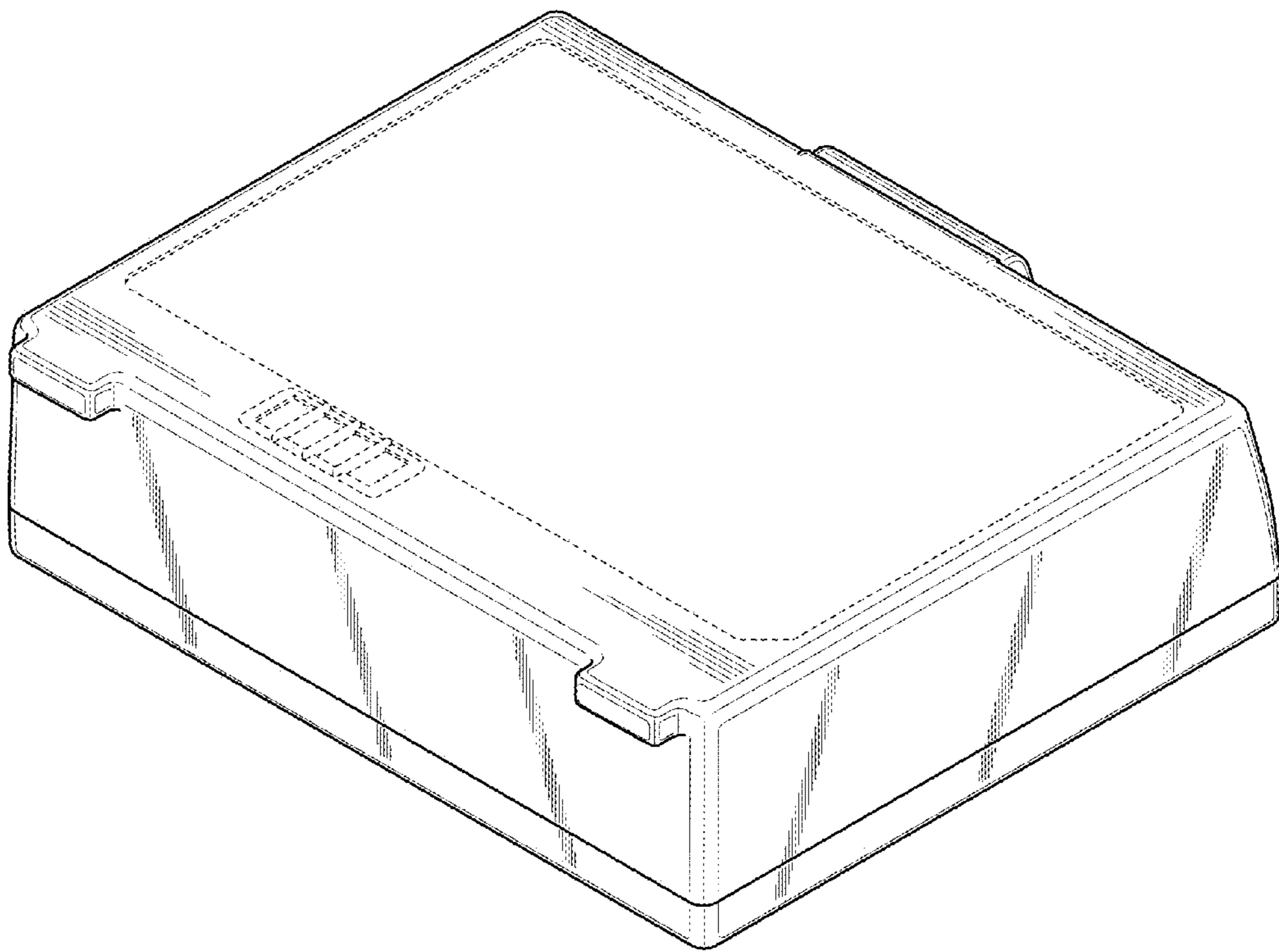


FIG. 2

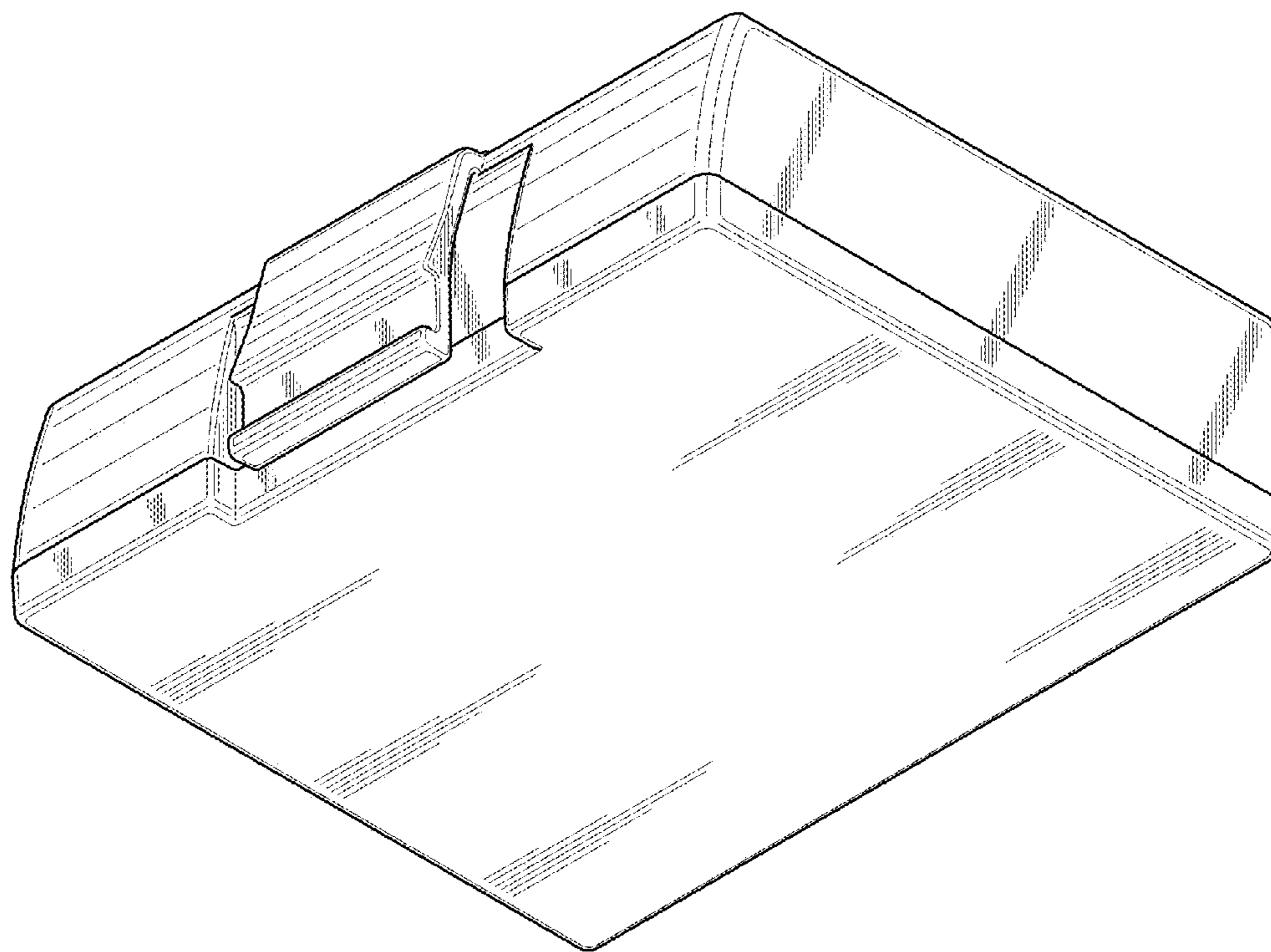


FIG. 3

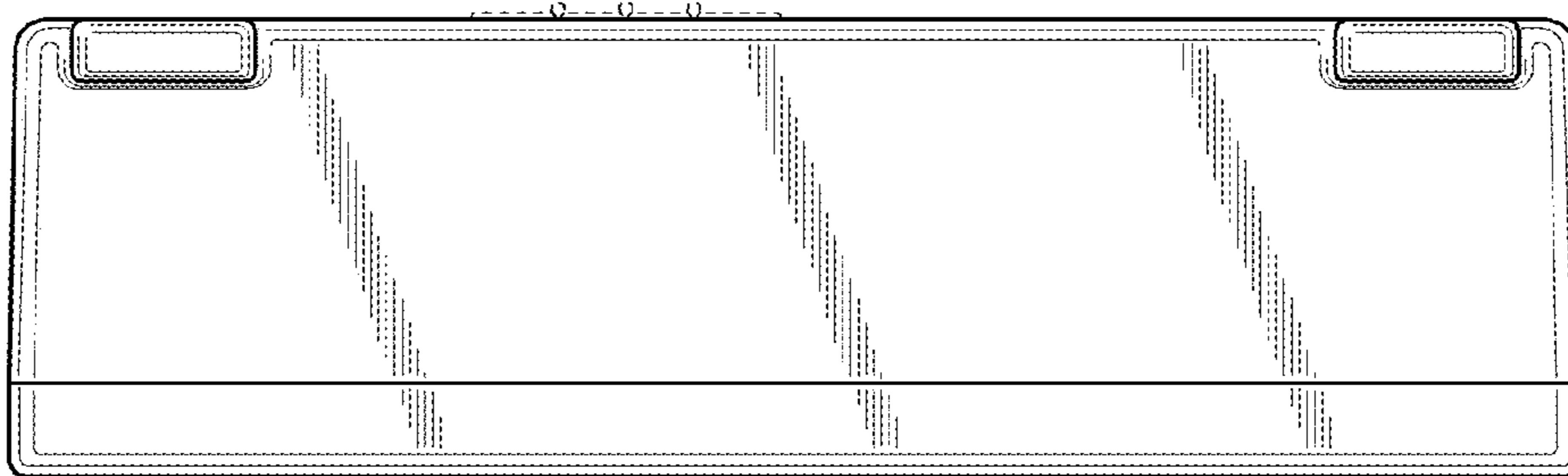


FIG. 4

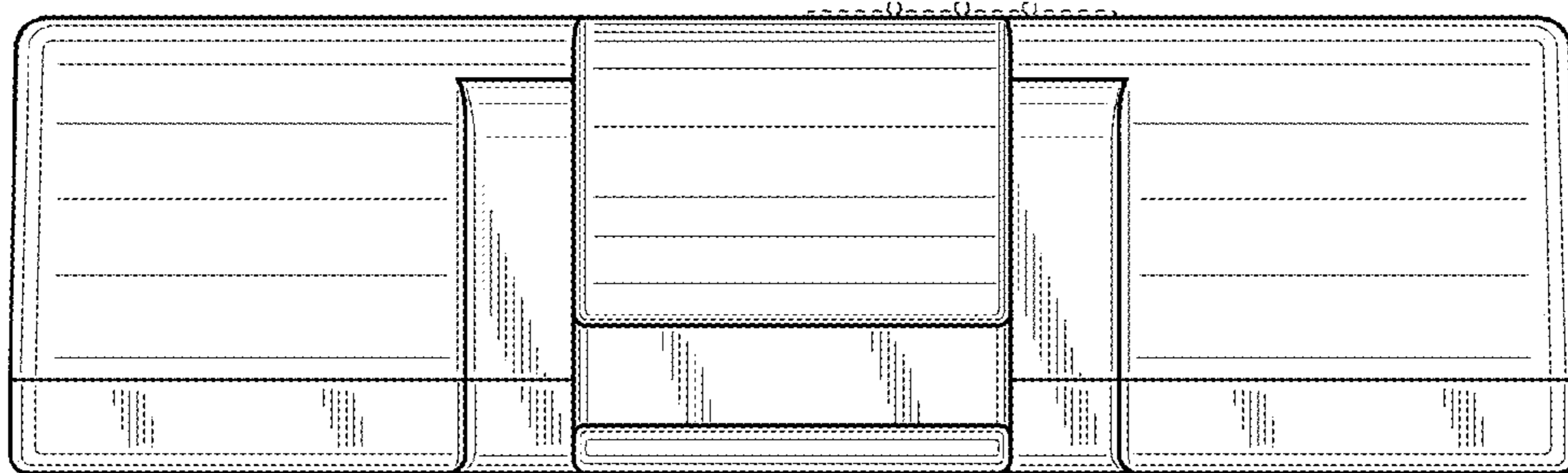


FIG. 5

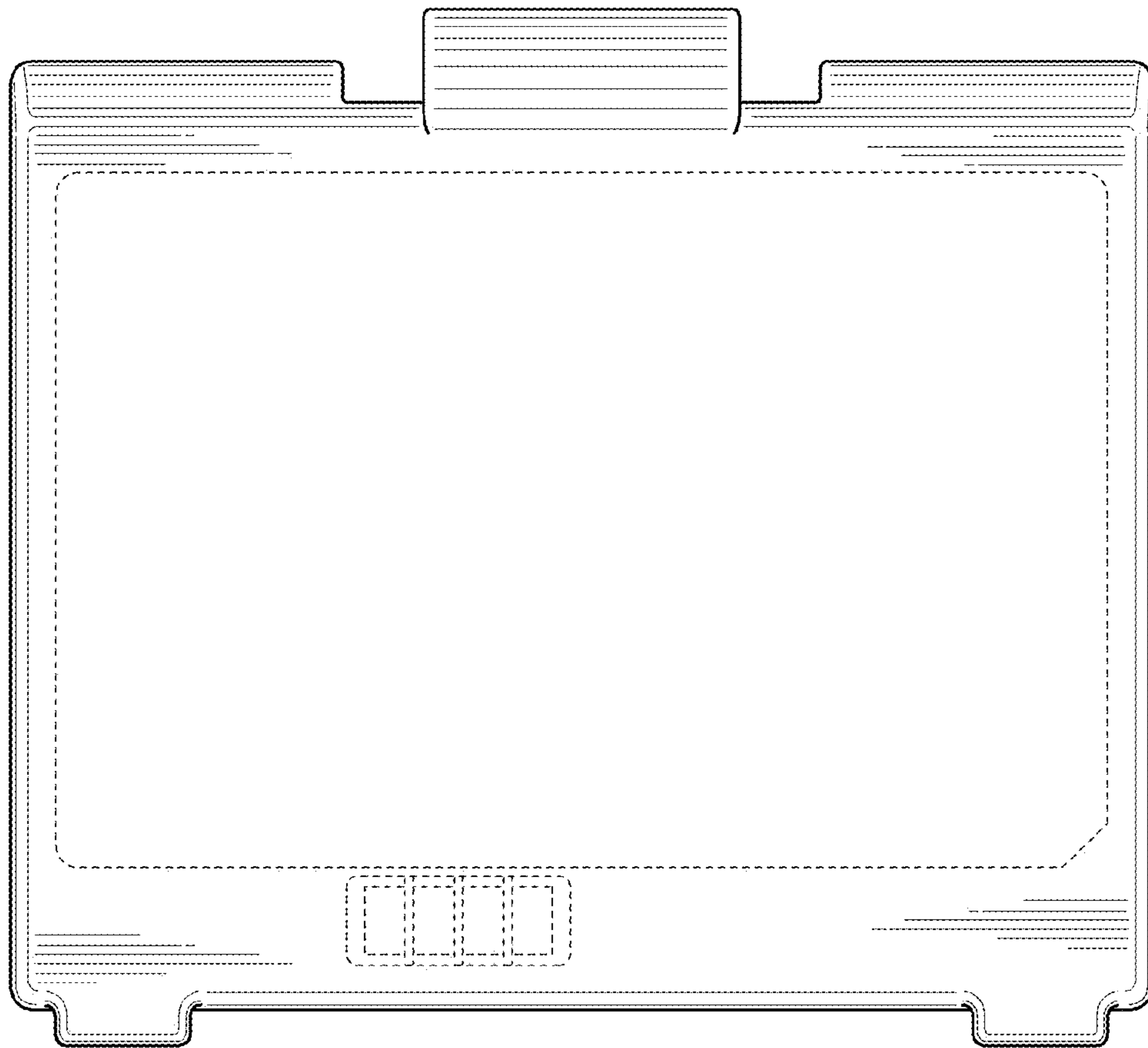


FIG. 6

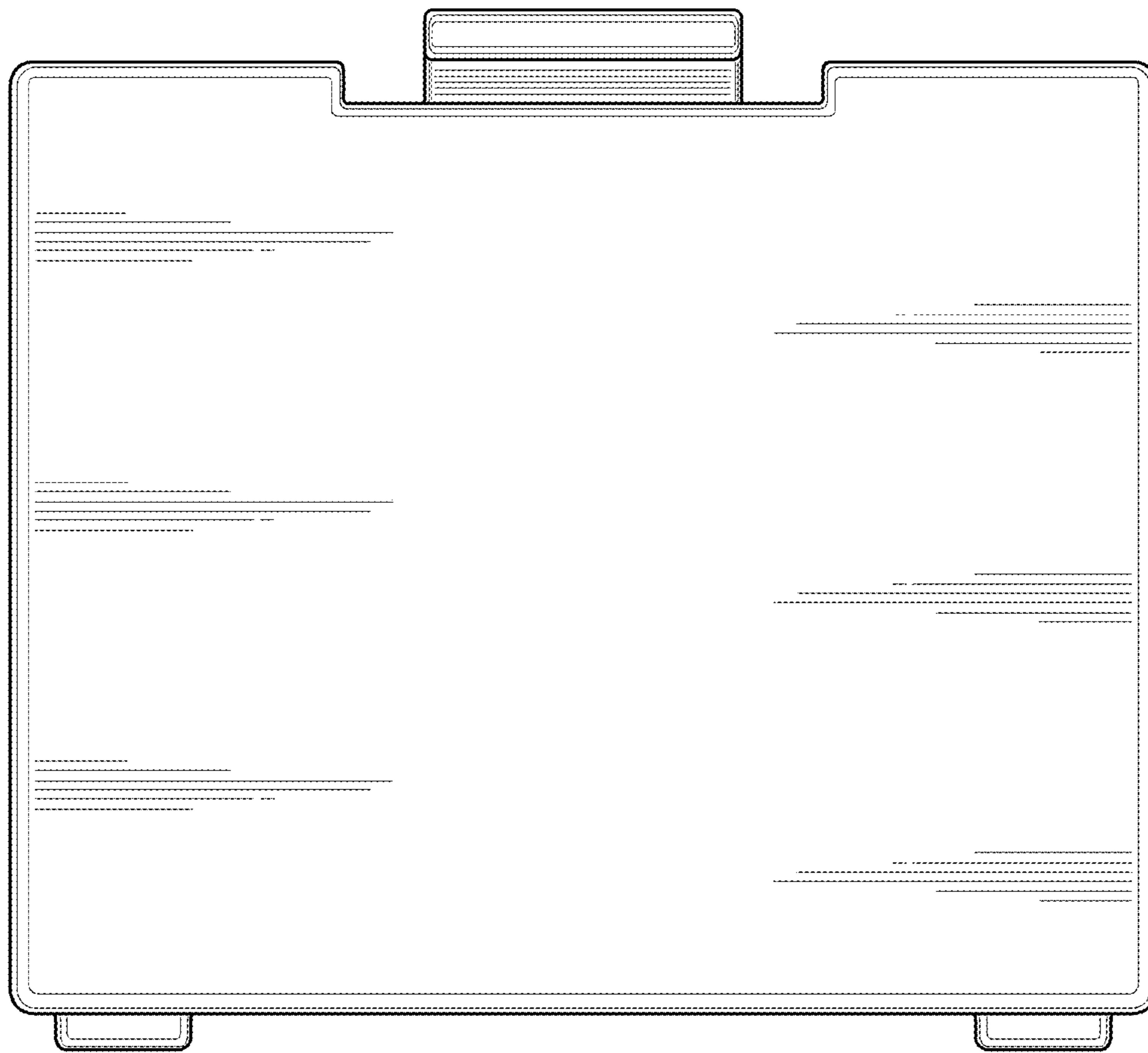


FIG. 7

