



US00D727253S

(12) **United States Design Patent**
Presley et al.

(10) **Patent No.:** **US D727,253 S**
(45) **Date of Patent:** **** Apr. 21, 2015**

(54) **POP-UP SHELTER WITH SOLAR PANELS
AND USB CHARGING STATION**

D544,062 S * 6/2007 Baker D21/837
D560,605 S * 1/2008 McClintock et al. D13/102
D573,943 S * 7/2008 Ono et al. D13/102
D630,288 S * 1/2011 Grazioso D21/837

(71) Applicants: **Brian R. Presley**, Escondido, CA (US);
Summer N. Ehram, La Mesa, CA (US)

* cited by examiner

(72) Inventors: **Brian R. Presley**, Escondido, CA (US);
Summer N. Ehram, La Mesa, CA (US)

Primary Examiner — Derrick Holland

(74) *Attorney, Agent, or Firm* — Eric A. Hanscom; Todd J. Langford

(**) Term: **14 Years**

(21) Appl. No.: **29/491,336**

(57) **CLAIM**

The ornamental design for a pop-up shelter with solar panels and USB charging station, as shown and described.

(22) Filed: **May 20, 2014**

(51) **LOC (10) Cl.** **13-02**

(52) **U.S. Cl.**
USPC **D13/102**

DESCRIPTION

(58) **Field of Classification Search**
USPC D13/102, 101, 107, 184, 199; D21/834,
D21/837, 838, 839; 52/173.3; 126/569, 571,
126/600, 621, 623, 680, 906; 136/243–246,
136/251; 248/49, 346.01, 346.02; 135/87,
135/96, 115, 117, 124, 126, 127, 128, 141
See application file for complete search history.

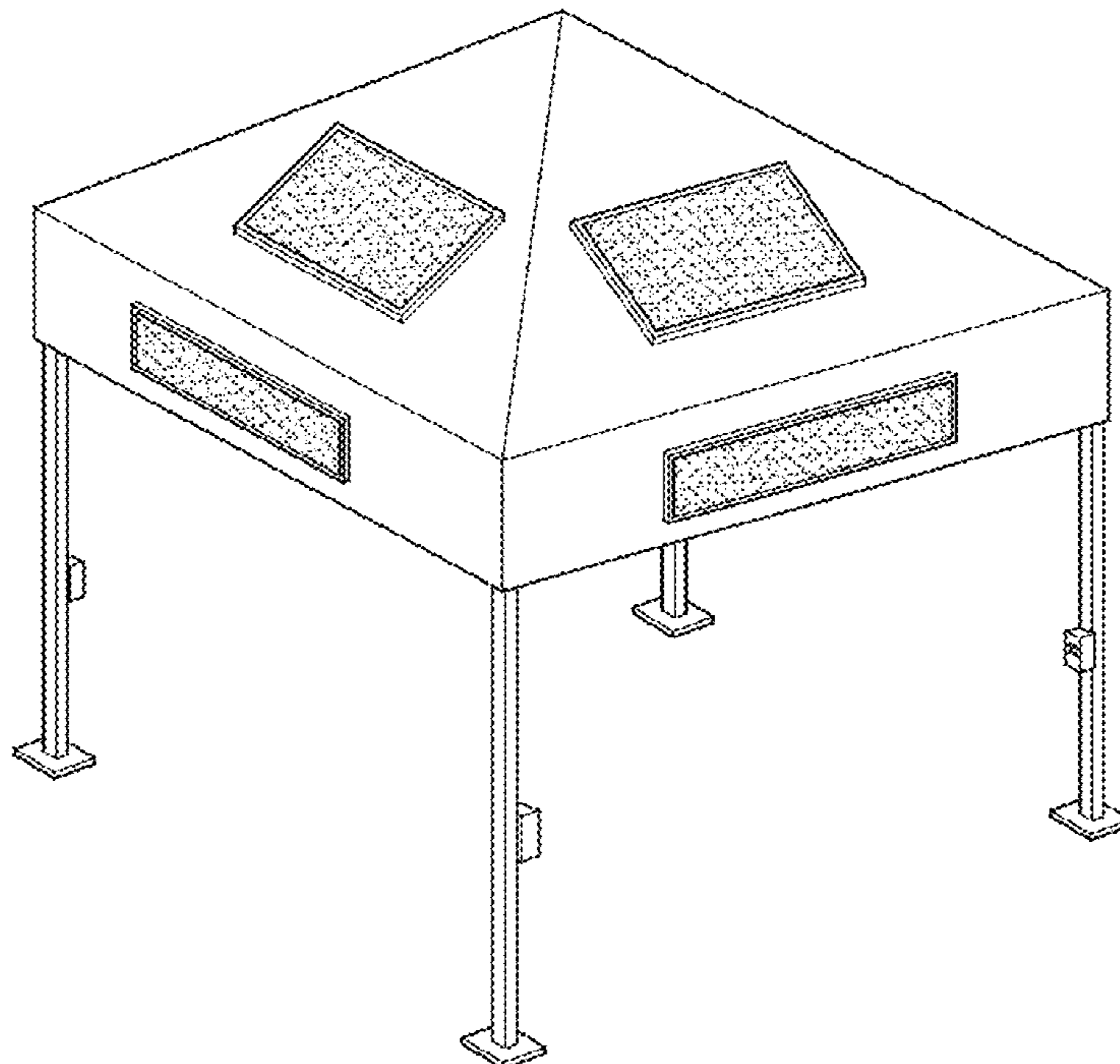
FIG. 1 is a top, front and left side perspective view of a pop-up shelter with solar panels and USB charging station showing our new design;
FIG. 2 is a top plan view of the pop-up shelter with solar panels and USB charging station;
FIG. 3 is a left side elevation view of the pop-up shelter with solar panels and USB charging station, with the right side elevation view being a mirror image of FIG. 3;
FIG. 4 is a front view of the pop-up shelter with solar panels and USB charging station, with the rear view being a mirror image of FIG. 4; and,
FIG. 5 is a bottom plan view of the pop-up shelter with solar panels and USB charging station.

(56) **References Cited**

U.S. PATENT DOCUMENTS

D353,129 S * 12/1994 Ricaud et al. D13/102
6,397,869 B1 * 6/2002 Jennings 135/93
D470,560 S * 2/2003 Han D21/837

1 Claim, 3 Drawing Sheets



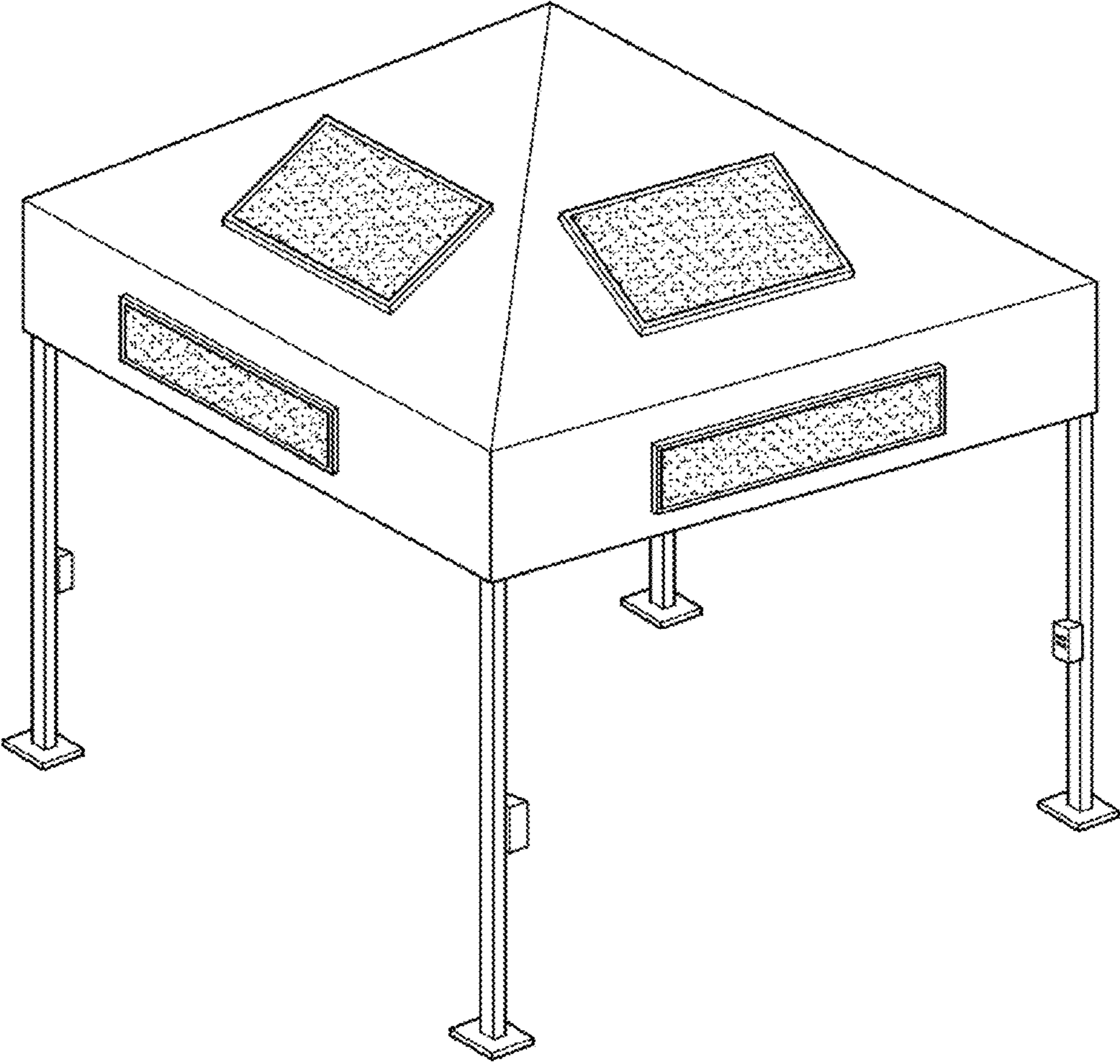


FIG. 1

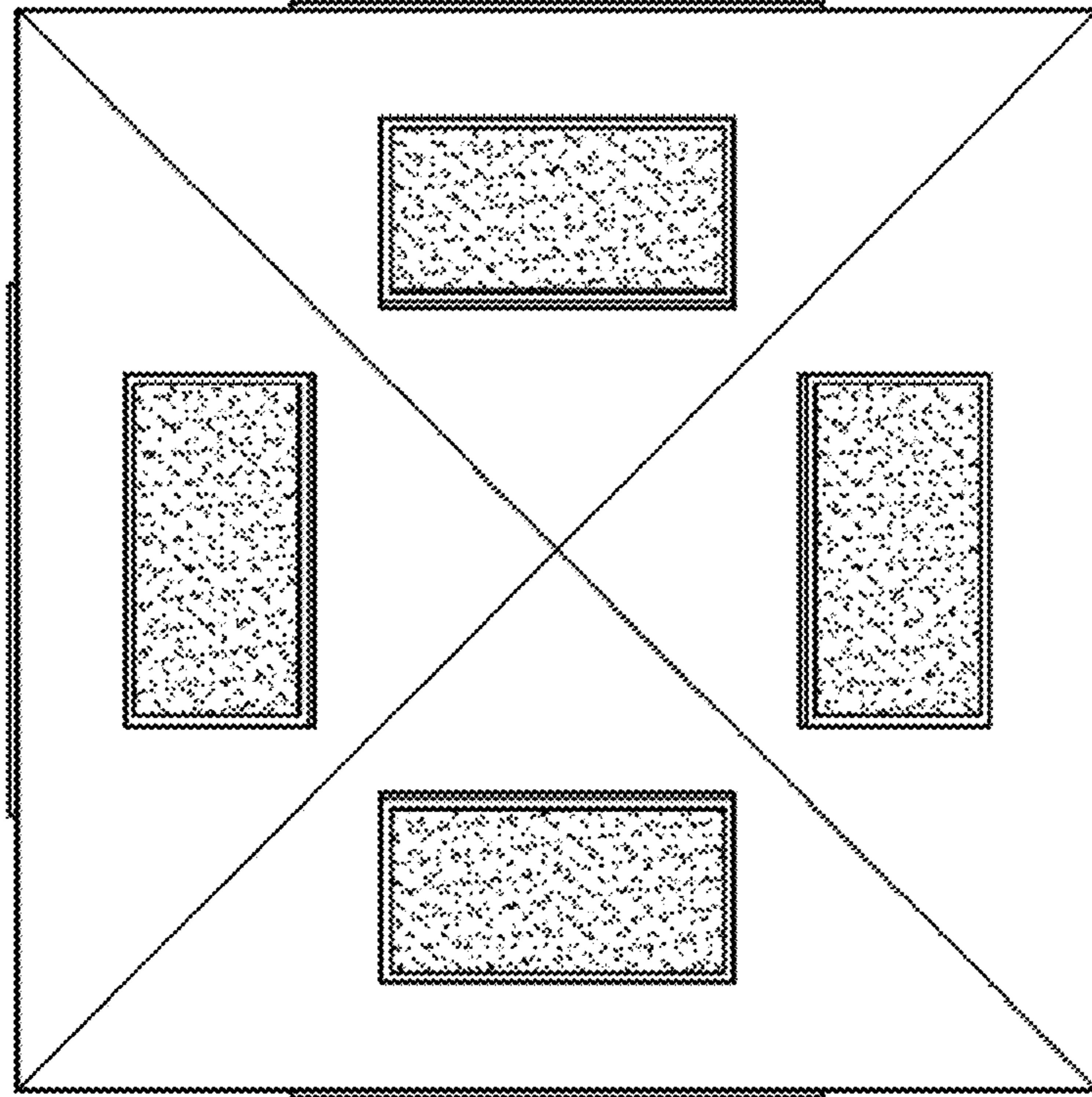


FIG. 2

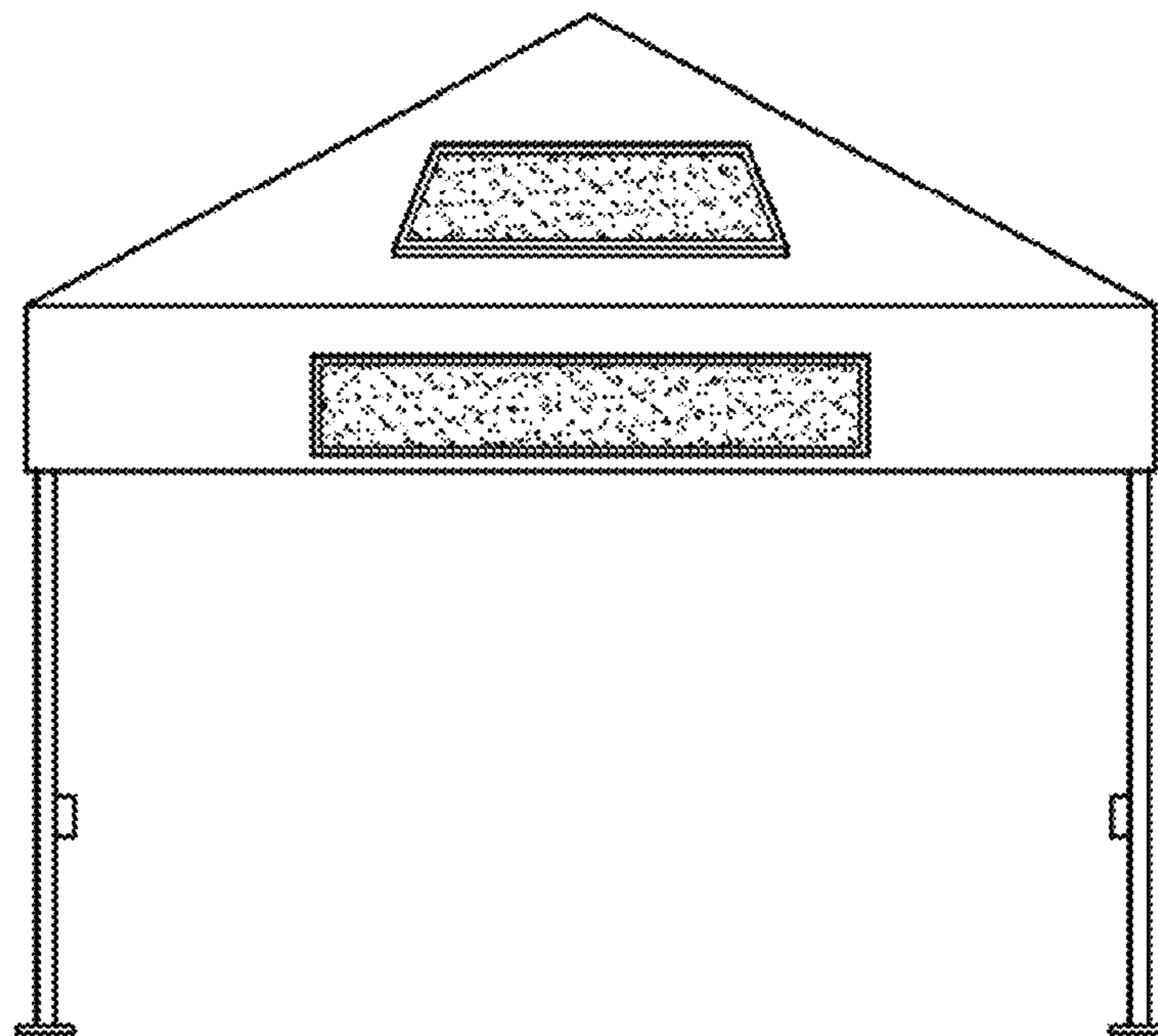


FIG. 3

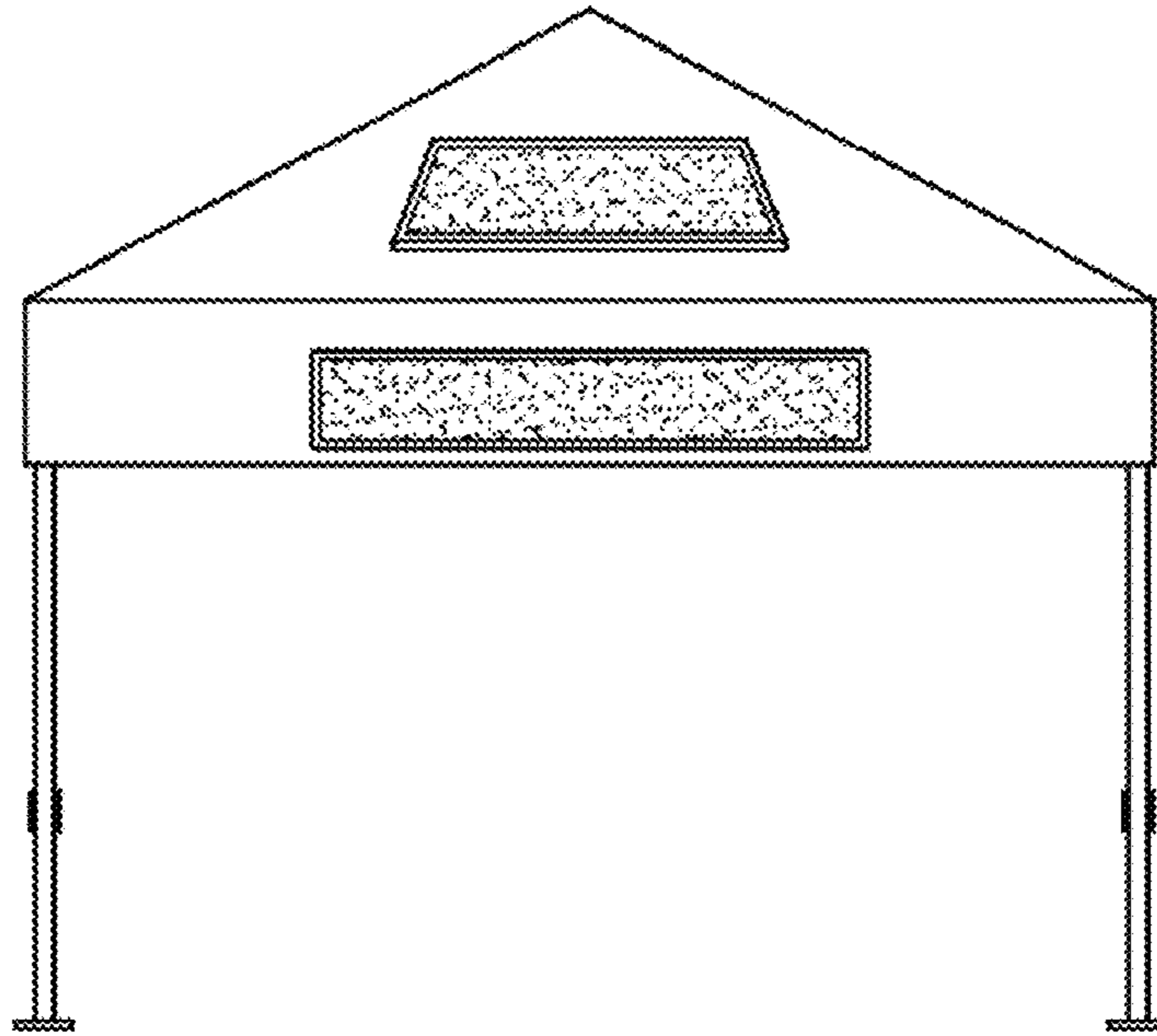


FIG. 4

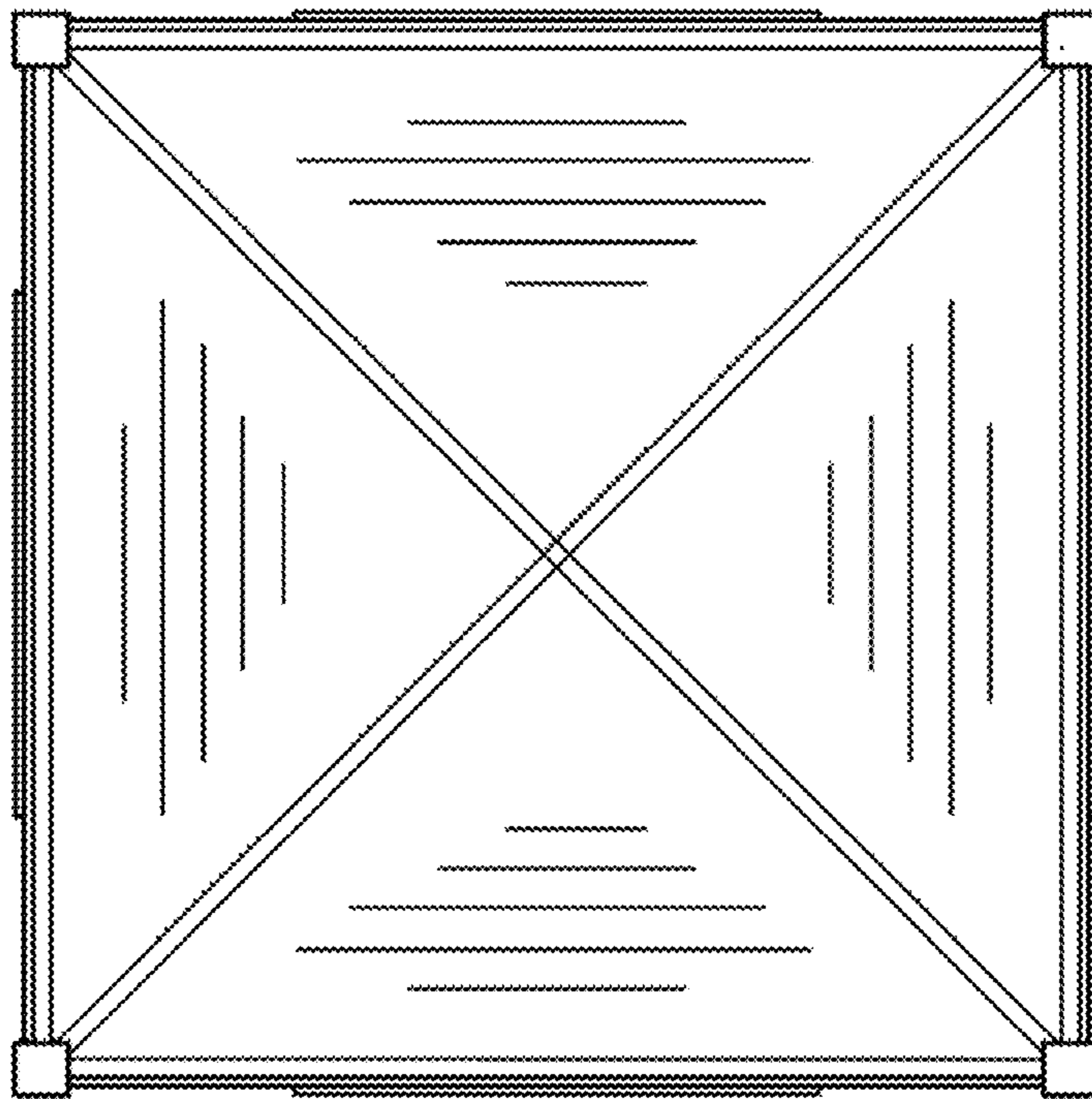


FIG. 5