

US00D727244S

(12) **United States Design Patent**
Hashimoto

(10) **Patent No.:** **US D727,244 S**
(45) **Date of Patent:** **** Apr. 21, 2015**

(54) **ROOF FOR UTILITY VEHICLES**
(71) Applicant: **Kawasaki Jukogyo Kabushiki Kaisha,**
Hyogo (JP)
(72) Inventor: **Naoki Hashimoto,** Kakogawa (JP)
(73) Assignee: **Kawasaki Jukogyo Kabushiki Kaisha,**
Hyogo (JP)

D534,188 S * 12/2006 Shuttleworth et al. D15/33
D549,639 S * 8/2007 Tuo D12/401
D639,229 S * 6/2011 van Voorst tot Voorst ... D12/401
D678,173 S * 3/2013 McIntire D12/401
D690,256 S * 9/2013 Ewringmann D12/401
D718,214 S * 11/2014 Shipman D12/401
D718,215 S * 11/2014 Shipman D12/401
D718,216 S * 11/2014 Shipman D12/401

* cited by examiner

(**) Term: **14 Years**

Primary Examiner — Katrina A Betton

(21) Appl. No.: **29/474,140**

(57) **CLAIM**

The ornamental design for a roof for utility vehicles, as shown and described.

(22) Filed: **Jun. 16, 2014**

(51) **LOC (10) Cl.** **12-16**

(52) **U.S. Cl.**
USPC **D12/401**

DESCRIPTION

(58) **Field of Classification Search**
USPC D12/401-405; 160/370.21, 370.22,
160/370.23; 280/770; 150/158, 165-167;
296/136.01, 95.1, 84.1, 77.1;
135/88.01, 88.1; 224/328
See application file for complete search history.

FIG. 1 is a front elevational view of a roof for utility vehicles showing my new design;
FIG. 2 is a rear elevational view thereof;
FIG. 3 is a left side elevational view thereof, the right side view being a mirror image of that shown;
FIG. 4 is a top plan view thereof;
FIG. 5 is a bottom plan view thereof;
FIG. 6 is an upper front perspective view thereof; and,
FIG. 7 is a lower front perspective view thereof.
The subject roof is installed in a utility vehicle at the upper portion.

(56) **References Cited**

U.S. PATENT DOCUMENTS

D431,018 S * 9/2000 Maypole D12/401
D497,872 S * 11/2004 Bonner et al. D12/401

1 Claim, 7 Drawing Sheets

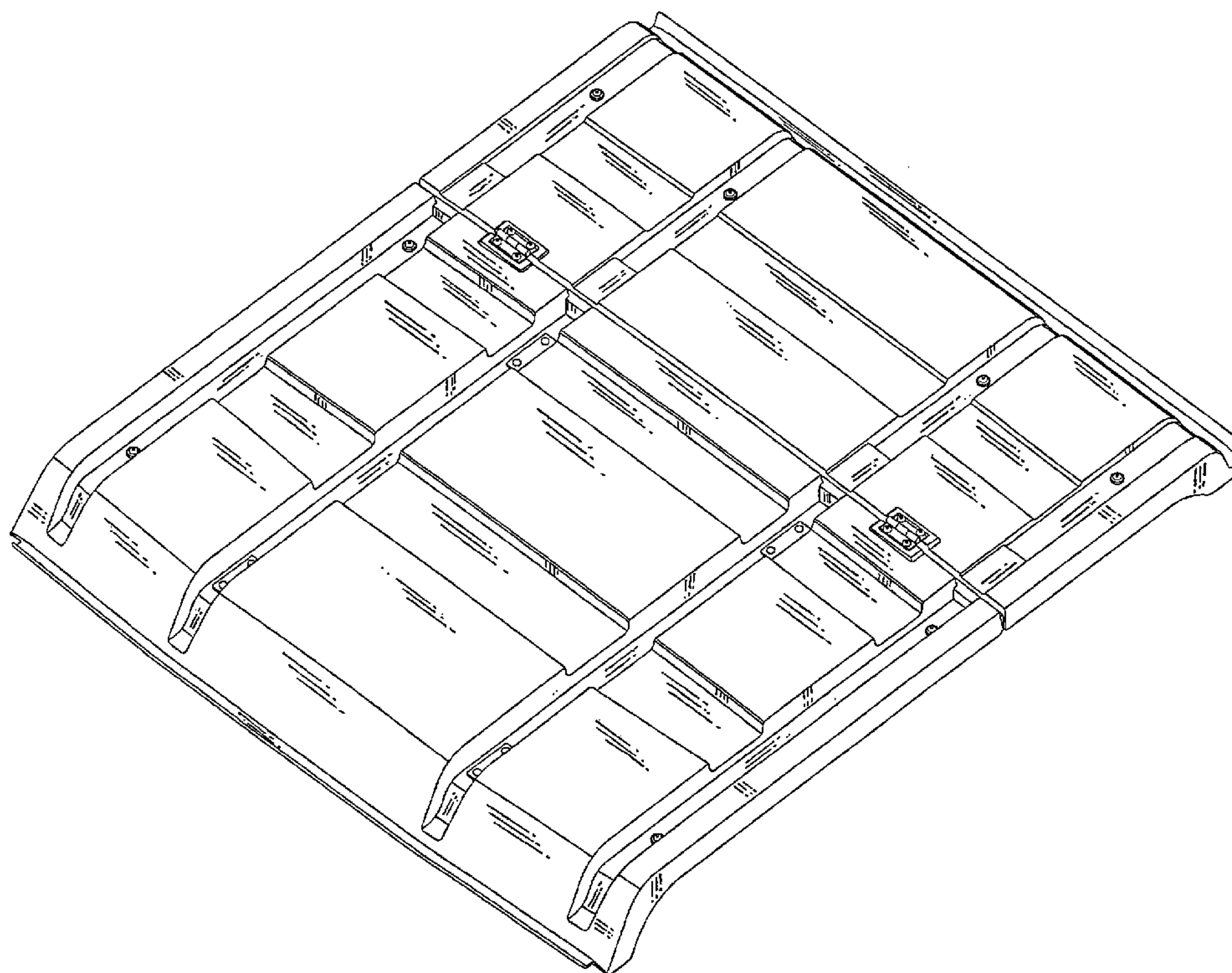


Fig. 1

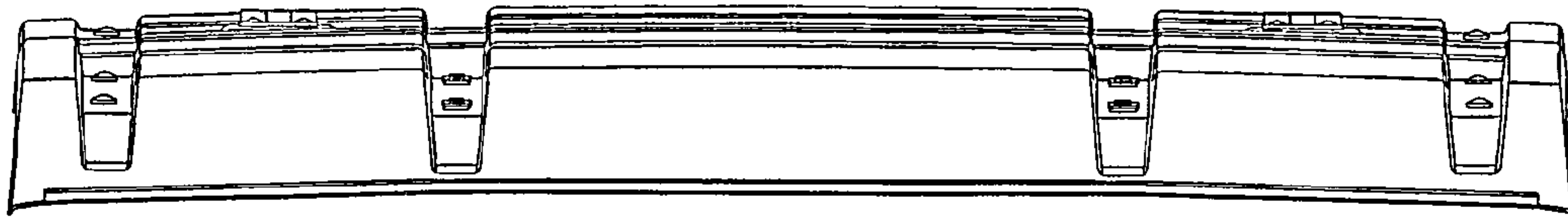


Fig. 2

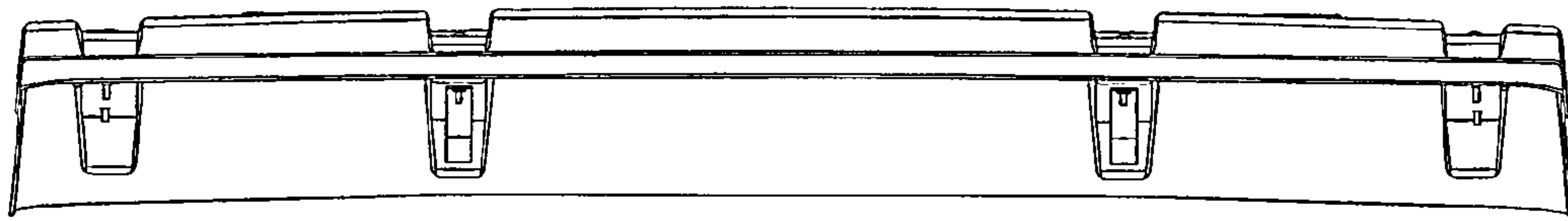


Fig. 3

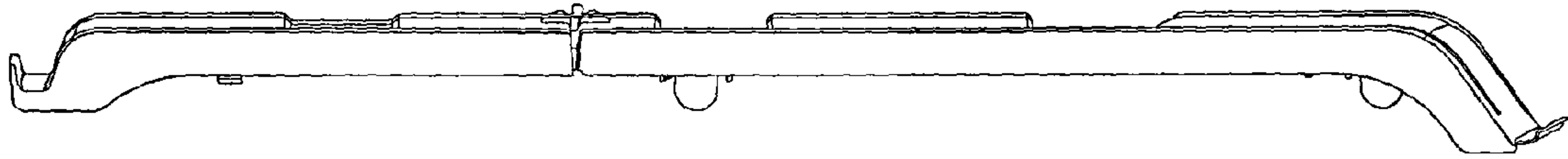


Fig. 4

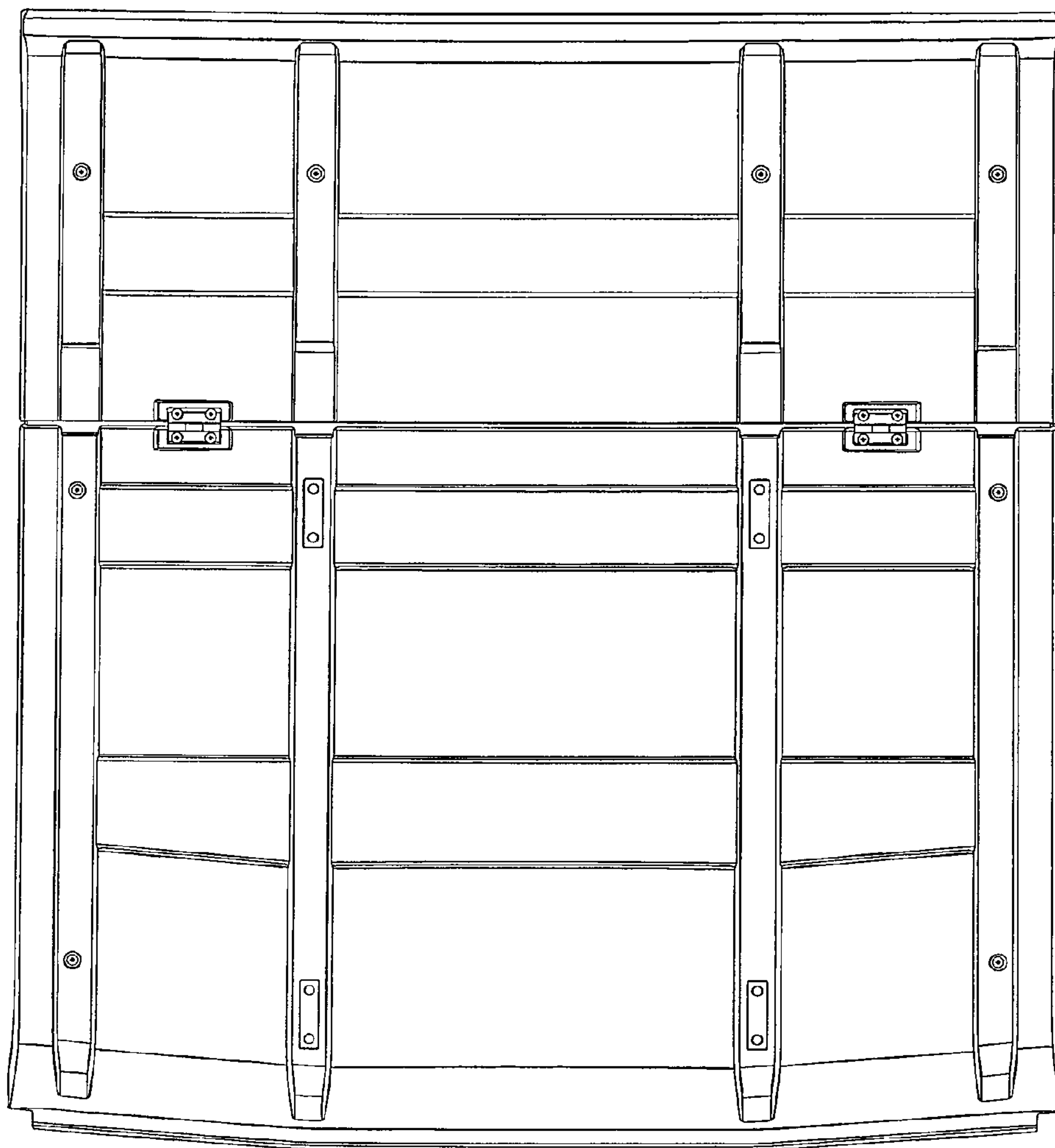
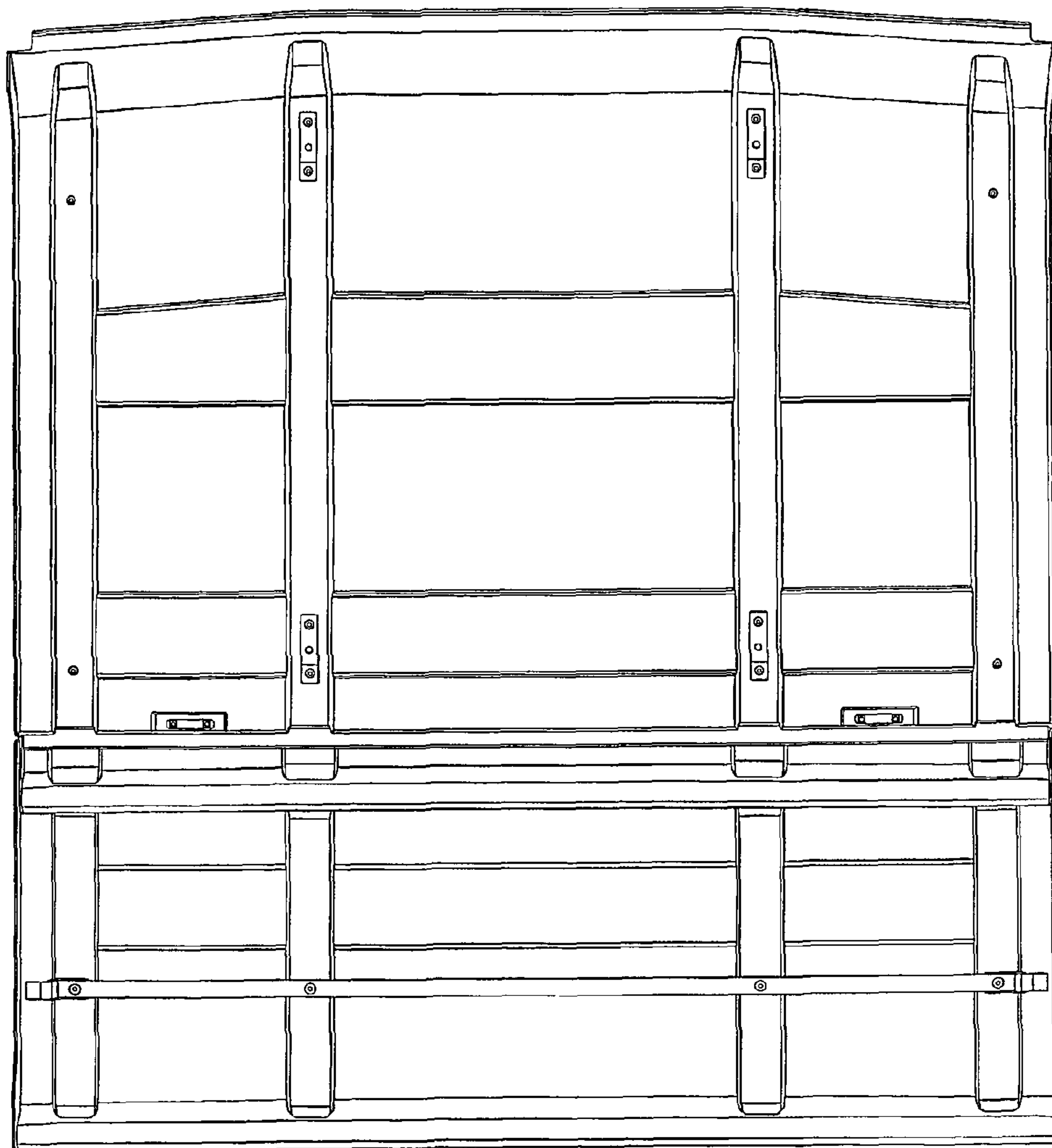


Fig. 5



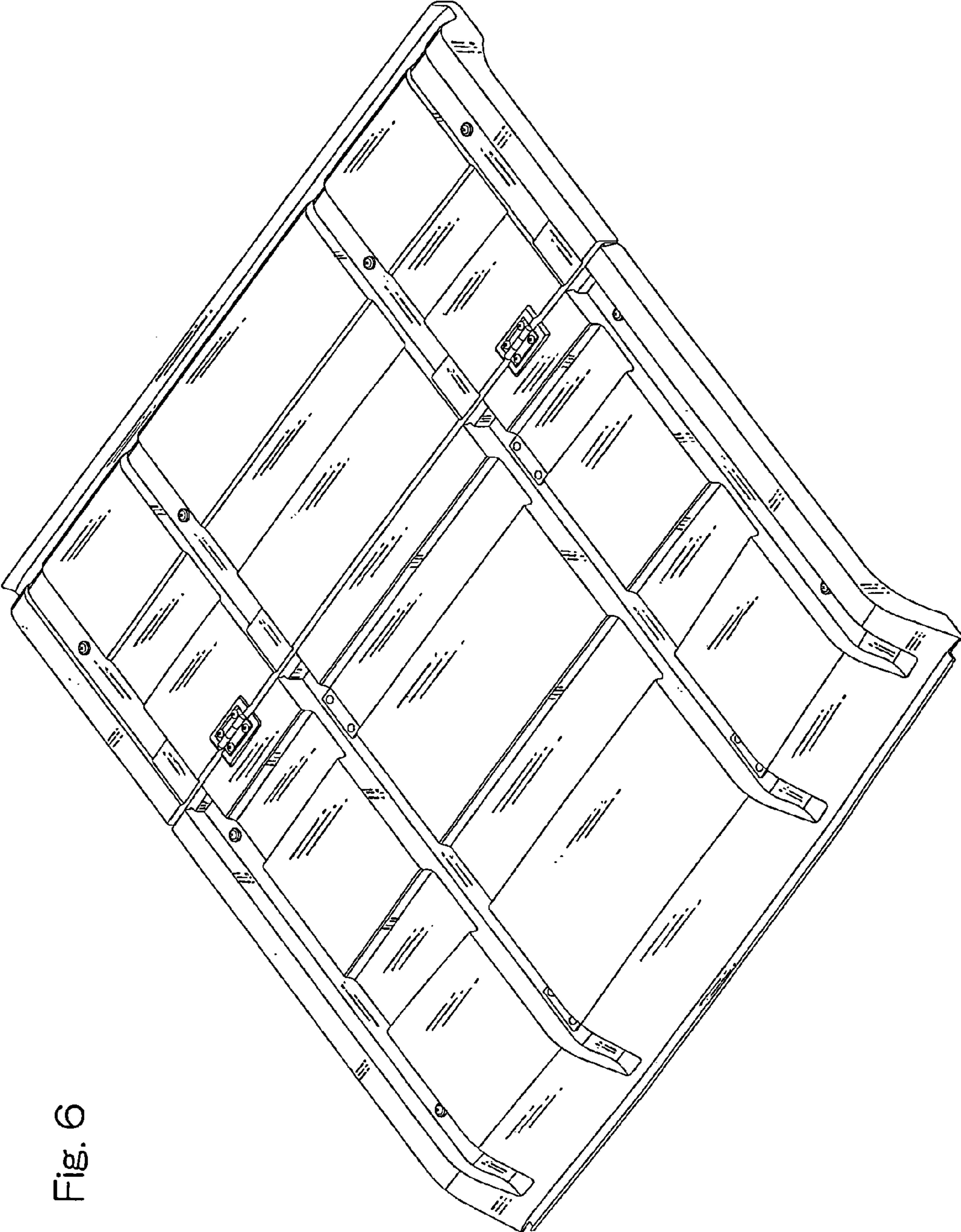


Fig. 6

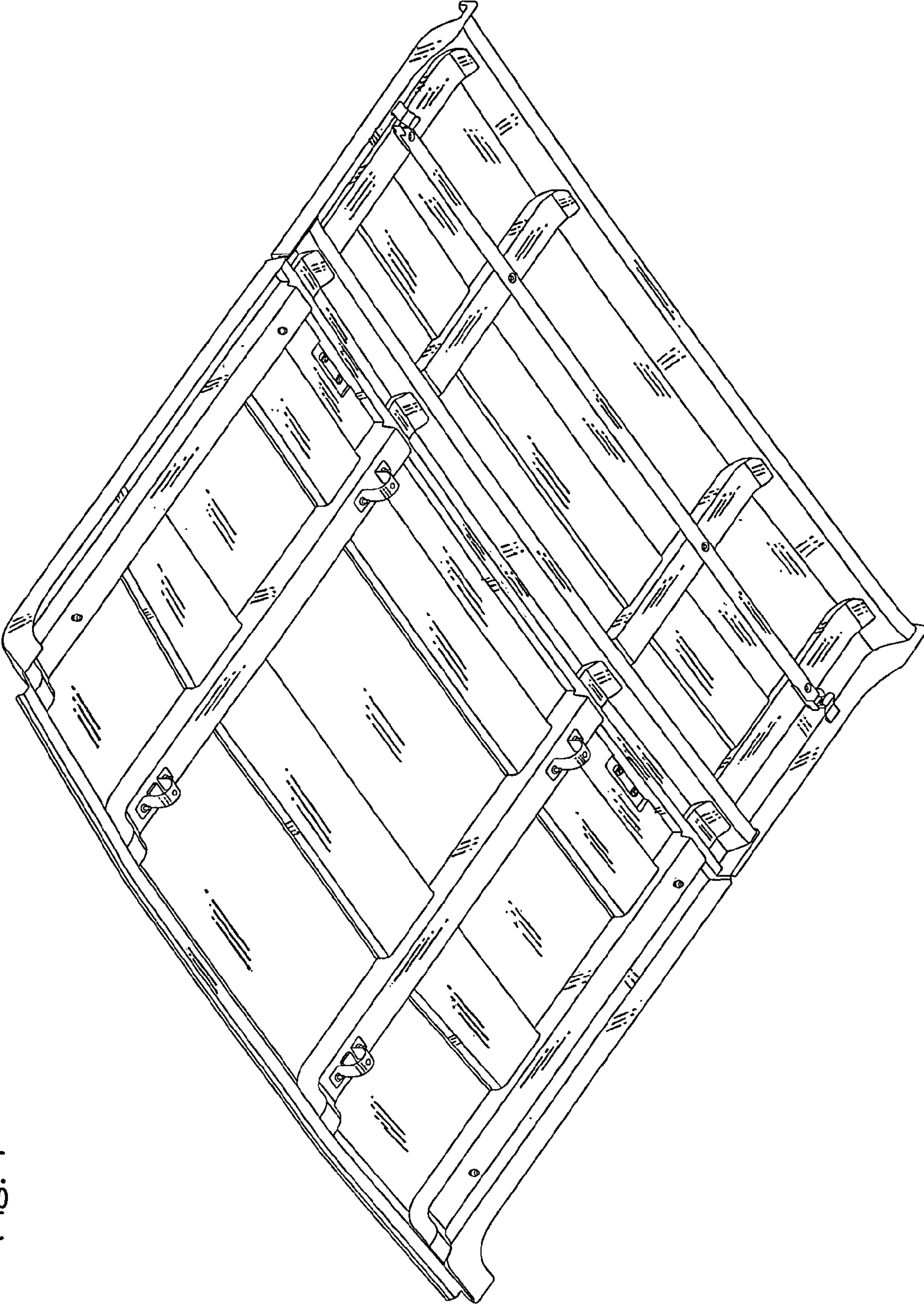


Fig. 7