



US00D727243S

(12) **United States Design Patent**  
**Matsumura**

(10) **Patent No.:** **US D727,243 S**  
(45) **Date of Patent:** **\*\* Apr. 21, 2015**

- (54) **ROOF FOR UTILITY VEHICLES**
- (71) Applicant: **Kawasaki Jukogyo Kabushiki Kaisha,**  
Hyogo (JP)
- (72) Inventor: **Norikazu Matsumura,** Akashi (JP)
- (73) Assignee: **Kawasaki Jukogyo Kabushiki Kaisha,**  
Hyogo (JP)
- (\*\*) Term: **14 Years**
- (21) Appl. No.: **29/465,513**
- (22) Filed: **Aug. 28, 2013**
- (51) **LOC (10) Cl.** ..... **12-16**
- (52) **U.S. Cl.**  
USPC ..... **D12/401**
- (58) **Field of Classification Search**  
USPC ..... D12/401-405; 160/370.21, 370.22,  
160/370.23; 280/770; 150/158, 165-167;  
296/136.01, 95.1, 84.1, 77.1;  
135/88.01, 88.1; 224/328  
See application file for complete search history.

- D639,229 S \* 6/2011 van Voorst tot Voorst ... D12/401
- D678,173 S \* 3/2013 McIntire ..... D12/401
- D690,256 S \* 9/2013 Ewringmann ..... D12/401
- D718,214 S \* 11/2014 Shipman ..... D12/401
- D718,215 S \* 11/2014 Shipman ..... D12/401
- D718,216 S \* 11/2014 Shipman ..... D12/401

\* cited by examiner

*Primary Examiner* — Katrina A Betton

(57) **CLAIM**  
The ornamental design for a roof for utility vehicles, as shown and described.

**DESCRIPTION**

FIG. 1 is a front elevational view of a roof for utility vehicles showing my new design;  
 FIG. 2 is a rear elevational view thereof;  
 FIG. 3 is a left side elevational view thereof, the right side view being a mirror image of that shown;  
 FIG. 4 is a top plan view thereof;  
 FIG. 5 is a bottom plan view thereof;  
 FIG. 6 is a front left perspective view thereof  
 FIG. 7 is a rear right perspective view thereof; and,  
 FIG. 8 is a perspective view of the portion of a roof for utility vehicles, shown on position of use from the front right side of a vehicle.  
 The broken lines in FIG. 8 showing of the environment are for illustrative purposes only and form no part of the claimed design.

- (56) **References Cited**  
U.S. PATENT DOCUMENTS  
D431,018 S \* 9/2000 Maypole ..... D12/401  
D497,872 S \* 11/2004 Bonner et al. .... D12/401  
D534,188 S \* 12/2006 Shuttleworth et al. .... D15/33  
D549,639 S \* 8/2007 Tuo ..... D12/401

**1 Claim, 4 Drawing Sheets**

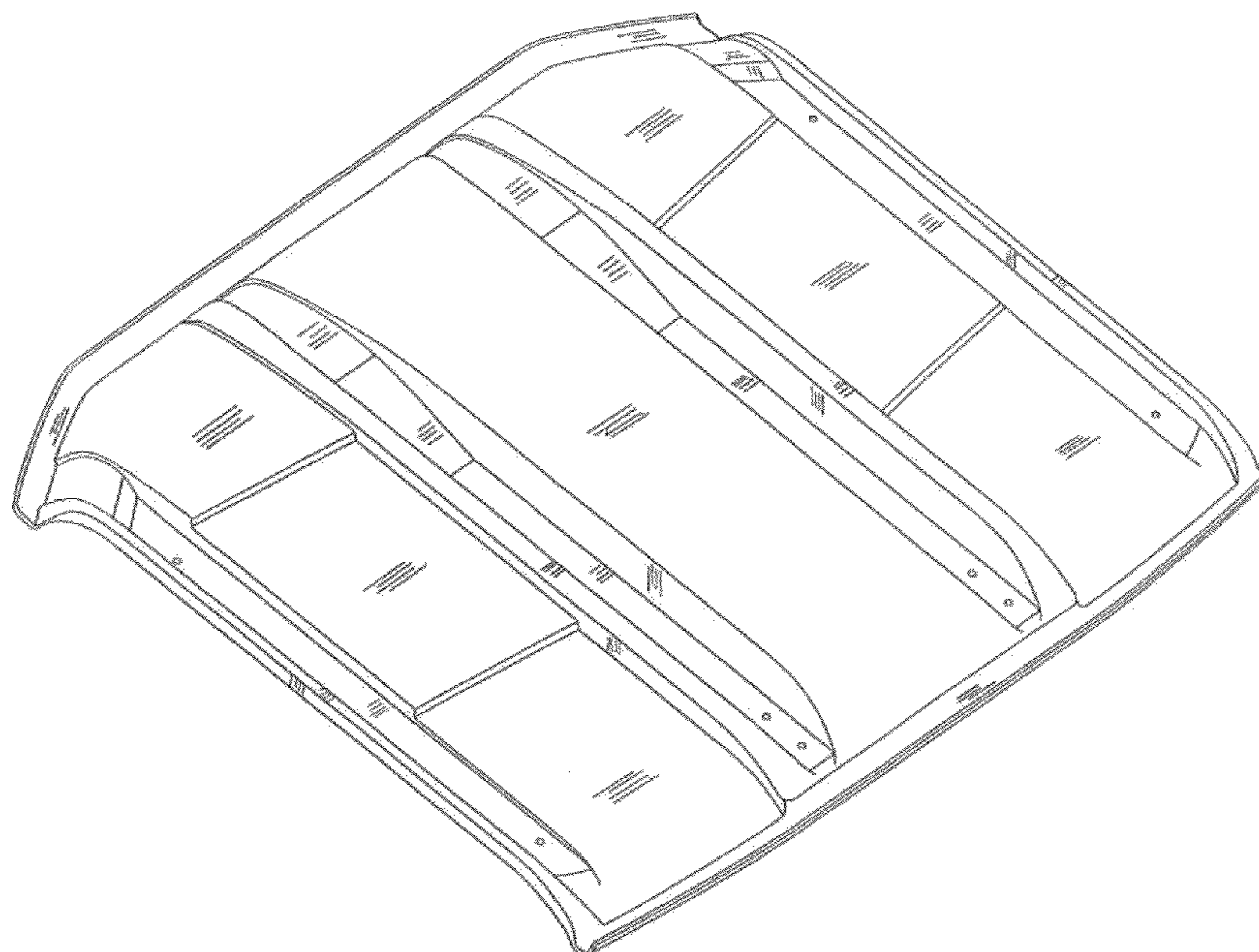


Fig. 1



Fig. 2

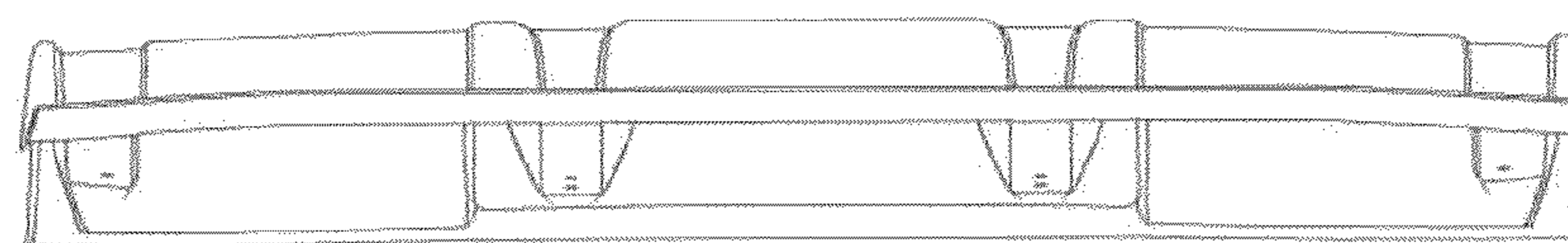


Fig. 3



Fig. 4

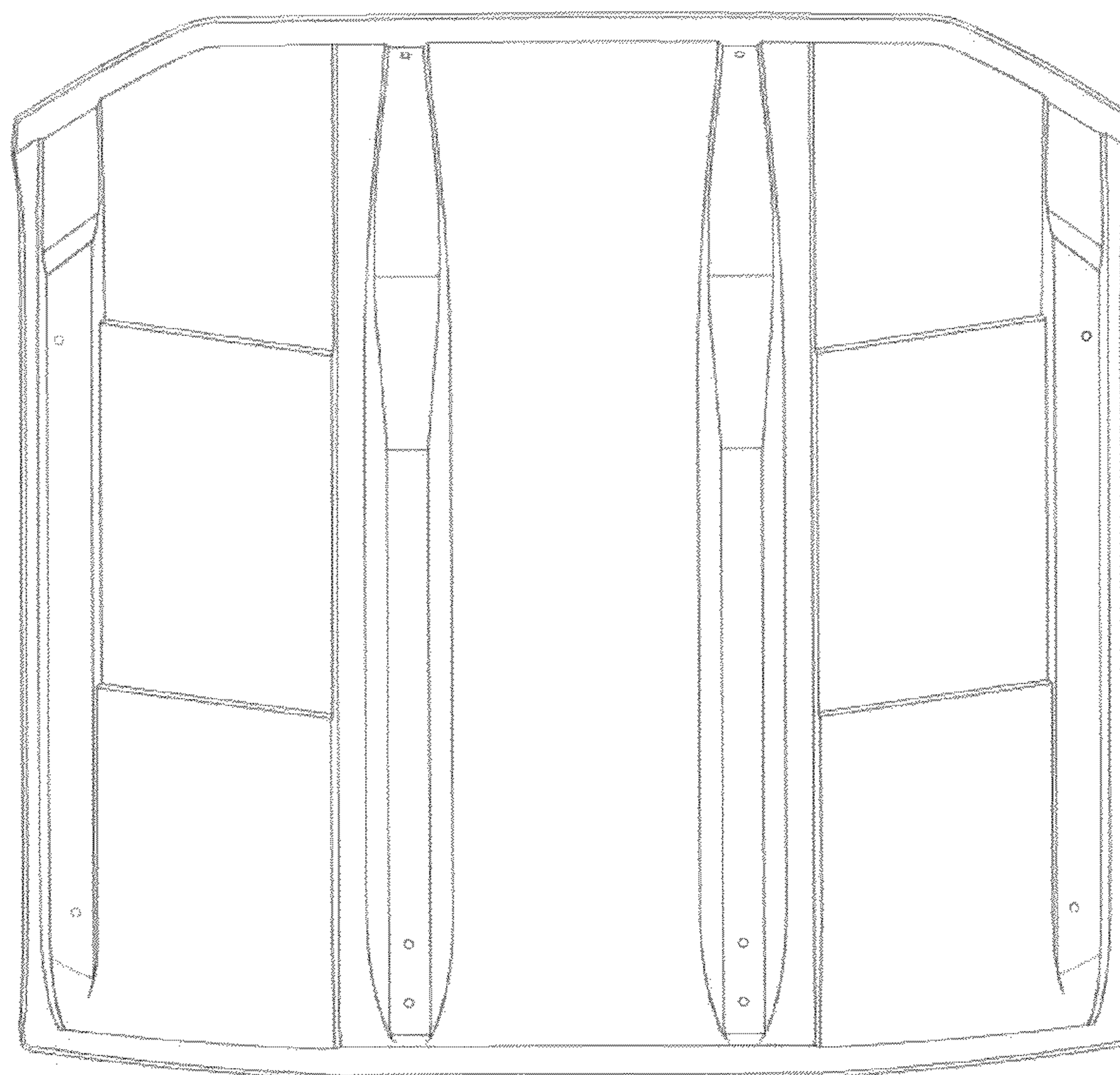


Fig. 5

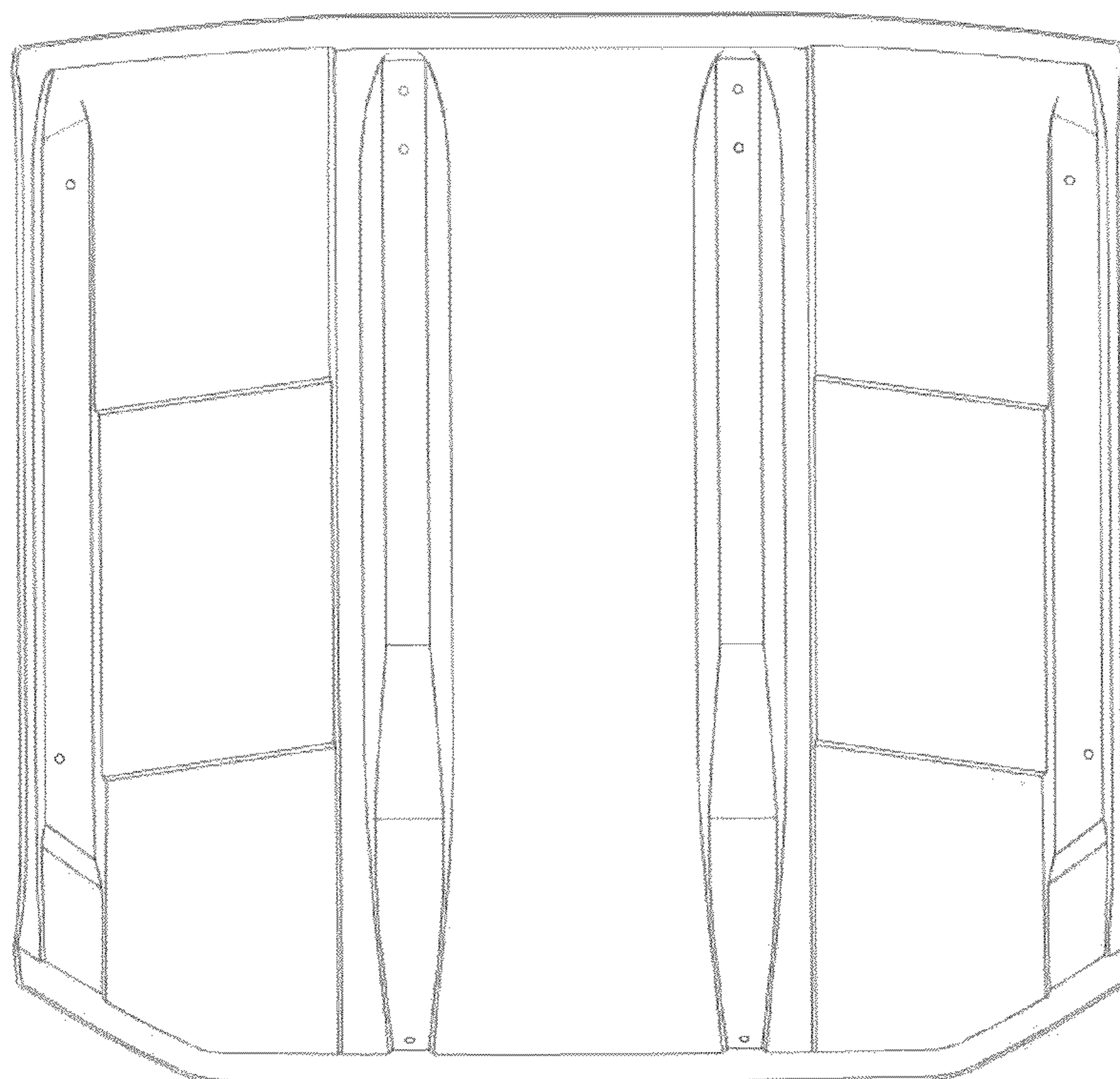


Fig. 6

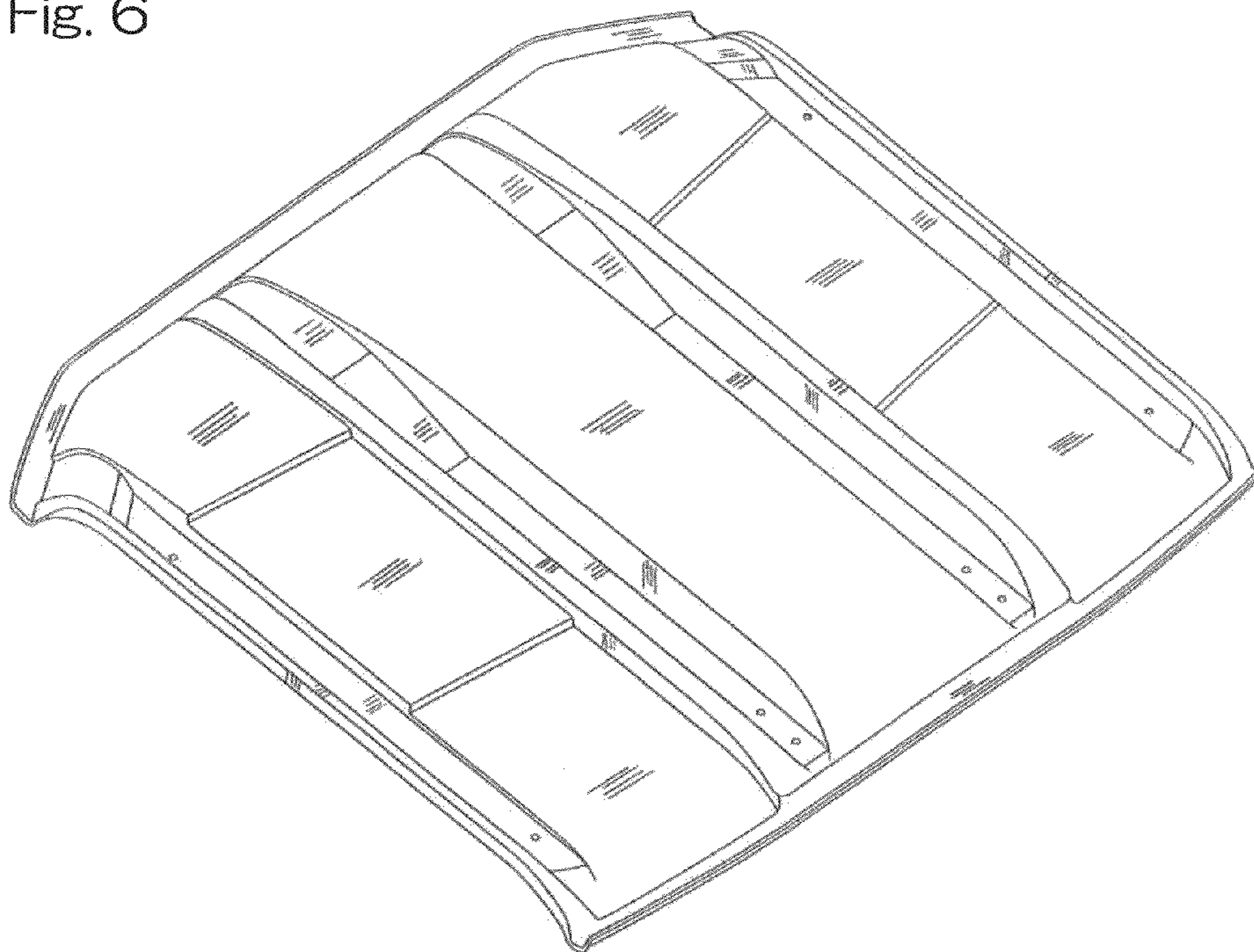
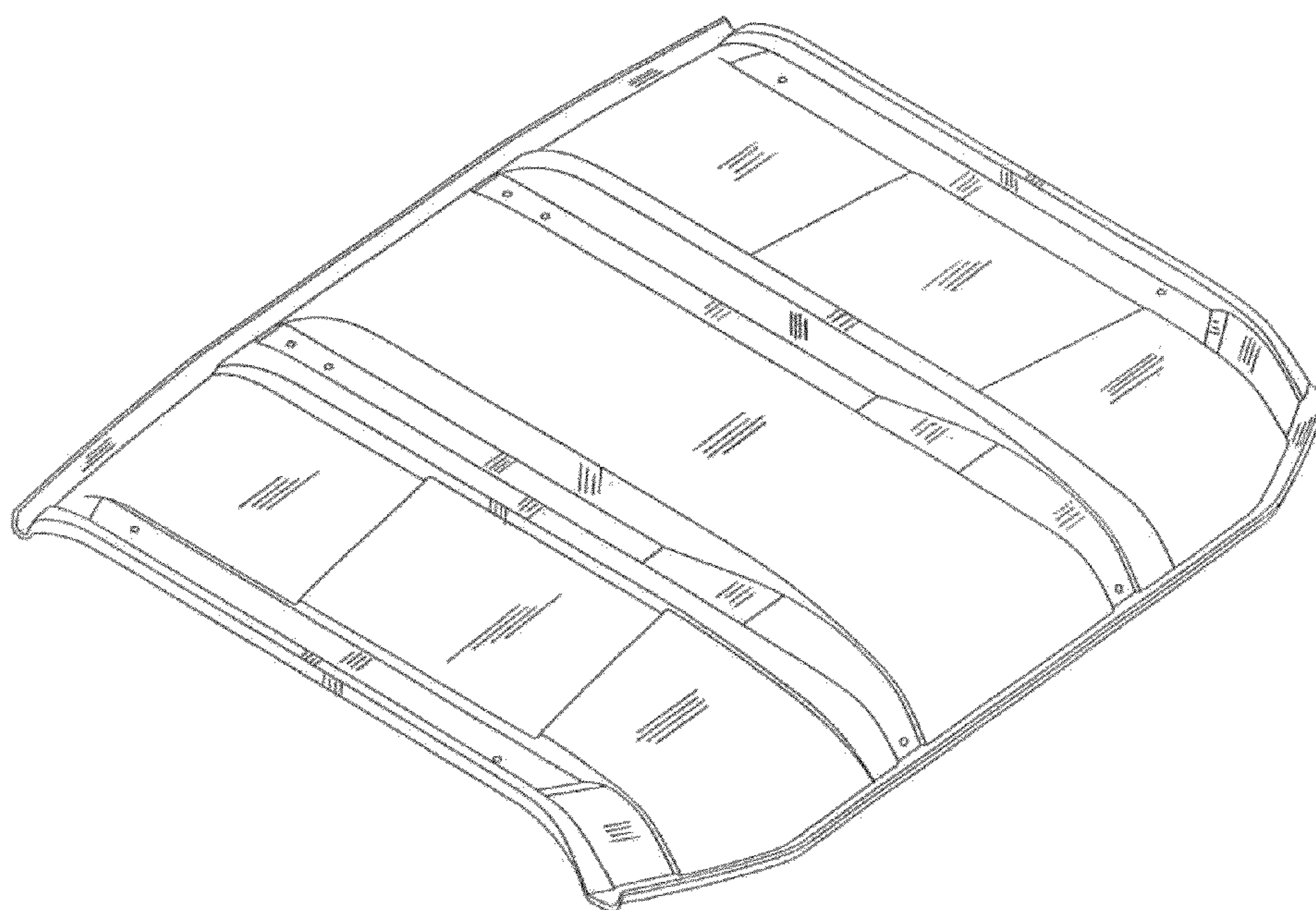


Fig. 7



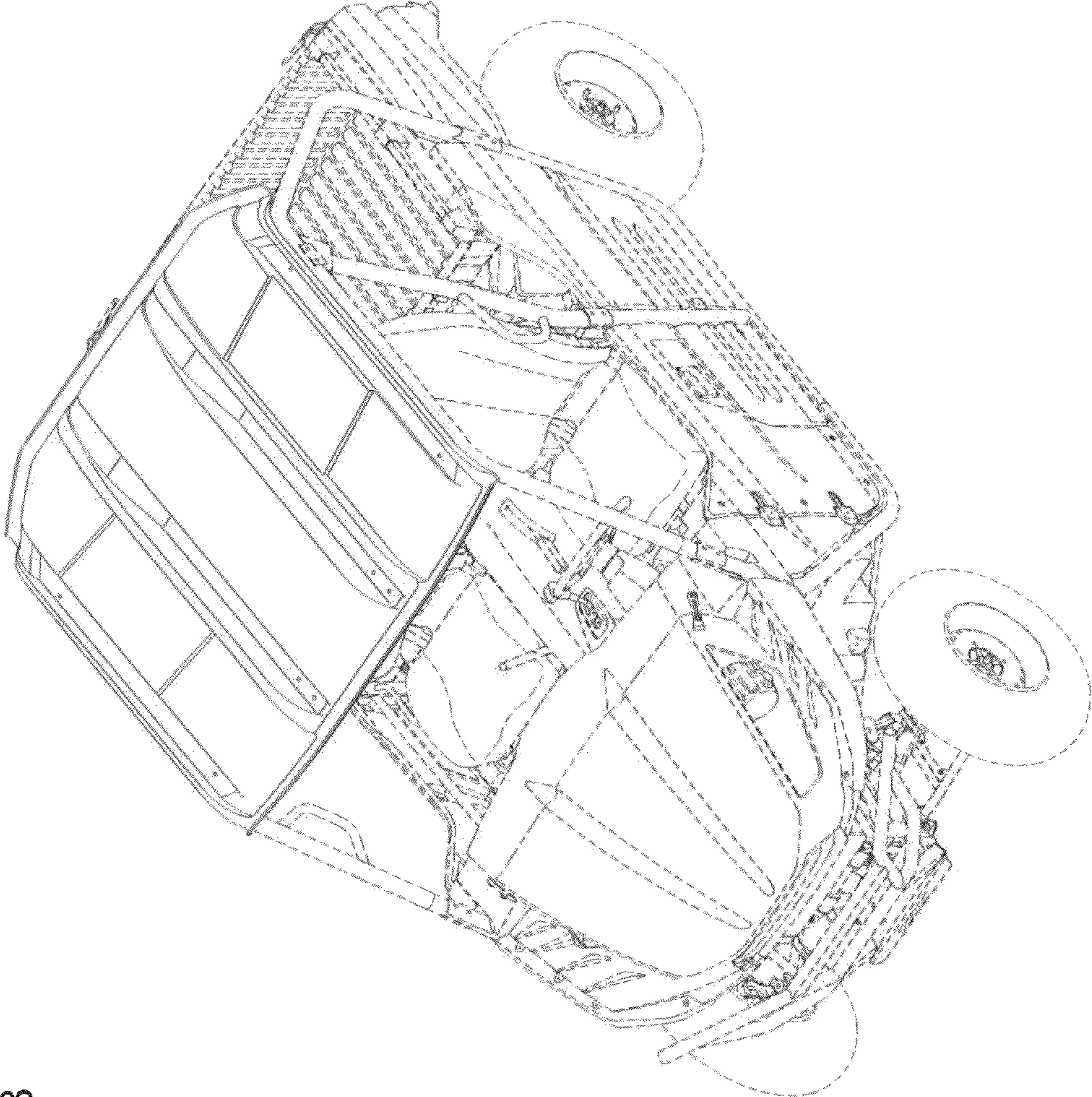


Fig. 8