



US00D727242S

(12) **United States Design Patent**
Egan et al.

(10) **Patent No.:** **US D727,242 S**
(45) **Date of Patent:** **** Apr. 21, 2015**

- (54) **HYBRID VTOL VEHICLE**
- (71) Applicant: **Plimp, Inc.**, Seattle, WA (US)
- (72) Inventors: **James C. Egan**, Seattle, WA (US); **Joel D. Egan**, Seattle, WA (US)
- (73) Assignee: **Plimp, Inc.**, Seattle, WA (US)
- (**) Term: **14 Years**
- (21) Appl. No.: **29/489,544**
- (22) Filed: **Apr. 30, 2014**

1,901,173 A	3/1933	Kuhn	
1,957,149 A	5/1934	Oehmichen	
2,081,381 A *	5/1937	Oehmichen	244/17.17
3,807,661 A	4/1974	Ikeda	
3,971,533 A	7/1976	Slater	
4,364,532 A	12/1982	Stark	
4,402,475 A	9/1983	Pavlecka	
4,591,112 A	5/1986	Piasecki et al.	
4,889,297 A	12/1989	Ikeda	
4,891,029 A	1/1990	Hutchinson	
6,311,925 B1	11/2001	Rist	
6,609,945 B2	8/2003	Jimenez et al.	
6,925,949 B1	8/2005	Phillips	
7,866,601 B2	1/2011	Balaskovic	
8,109,462 B2	2/2012	Balaskovic	
8,113,459 B2	2/2012	Capuani	
8,177,159 B2	5/2012	Khakimov et al.	
D670,638 S	11/2012	Goelet	

Related U.S. Application Data

- (62) Division of application No. 29/459,261, filed on Jun. 27, 2013, now Pat. No. Des. 713,320.
- (51) **LOC (10) Cl.** **12-07**
- (52) **U.S. Cl.**
USPC **D12/319; D12/323; D12/326**
- (58) **Field of Classification Search**
CPC B64B 1/00; B64B 1/06; B64B 1/08;
B64B 1/12; B64B 1/14; B64B 1/20; B64B
1/22; B64B 1/24; B64B 1/34; B64B 1/36;
B64B 1/60; B64B 2201/00; B64C 27/32;
B64C 27/52; B64C 29/00; B64C 37/00;
B64C 37/02; G05D 1/08
USPC D12/2, 3, 4, 319, 323, 326, 327, 328,
D12/335, 339, 341, 344, 345; D21/436,
D21/441, 442, 447, 450, 453; 244/5, 6,
244/17.17, 17.2, 17.23, 23, 26, 29, 30, 96,
244/117 R, 119, 125-128; 446/57, 58, 454
See application file for complete search history.

(Continued)

Primary Examiner — Martie K Holtje

(74) *Attorney, Agent, or Firm* — Seed IP Law Group PLLC

(57) **CLAIM**

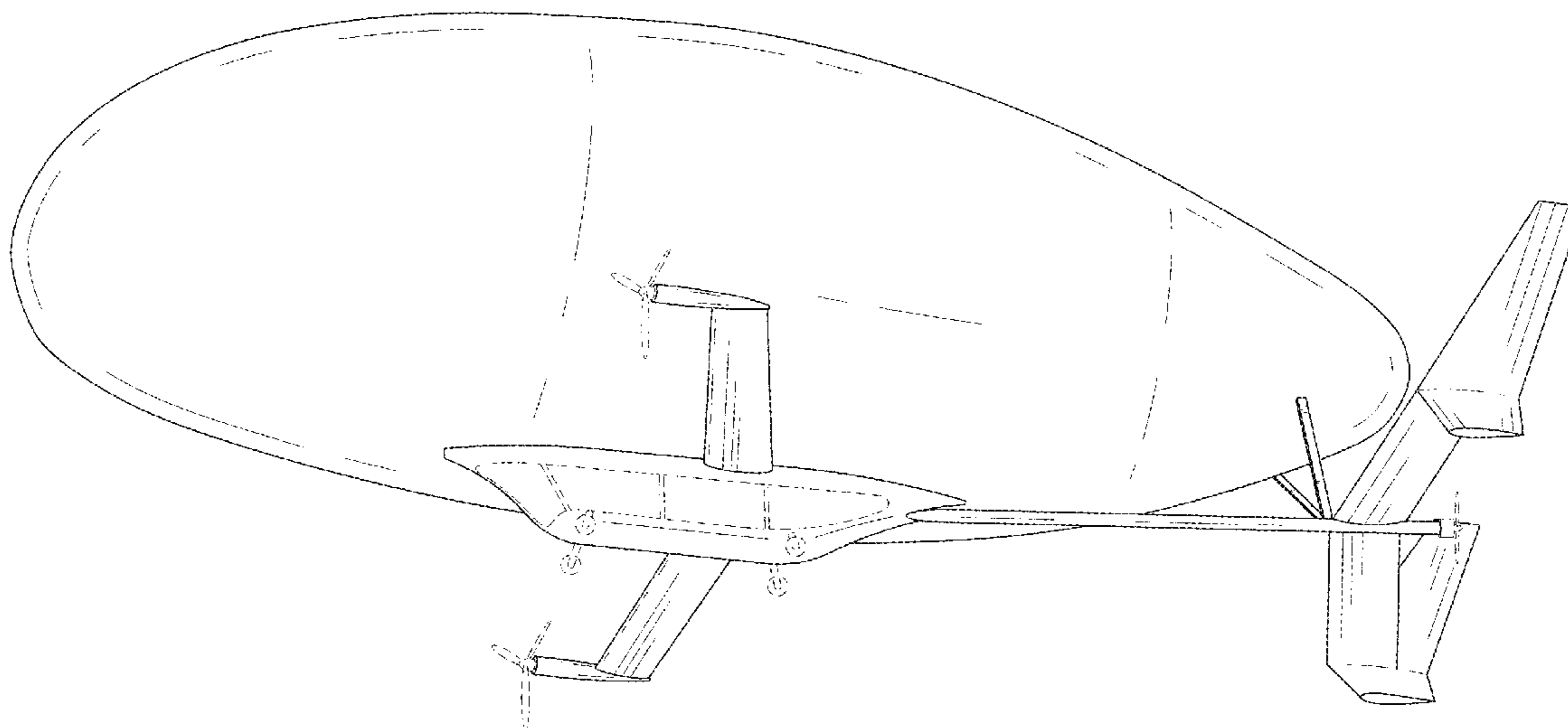
The ornamental design for a hybrid VTOL vehicle, as shown and described.

DESCRIPTION

FIG. 1 is a right front perspective view of a hybrid VTOL vehicle showing our new design;
 FIG. 2 is a front view thereof;
 FIG. 3 is a rear view thereof;
 FIG. 4 is a right side view thereof;
 FIG. 5 is a left side view thereof;
 FIG. 6 is a top plan view thereof; and,
 FIG. 7 is a bottom plan view thereof.
 The structural elements depicted by broken lines have been shown for the purpose of illustrating portions of the hybrid VTOL vehicle that form no part of the claimed design.

- (56) **References Cited**
U.S. PATENT DOCUMENTS
1,019,579 A 3/1912 Zells
1,838,248 A 12/1931 Bourland

1 Claim, 6 Drawing Sheets



(56)

References Cited

U.S. PATENT DOCUMENTS

D713,320 S * 9/2014 Egan et al. D12/319
2005/0263642 A1 12/2005 Geery

2008/0179454 A1 7/2008 Balaskovic
2012/0018571 A1 1/2012 Goelet
2012/0248241 A1 10/2012 Goelet
2012/0273608 A1 11/2012 Jess et al.

* cited by examiner

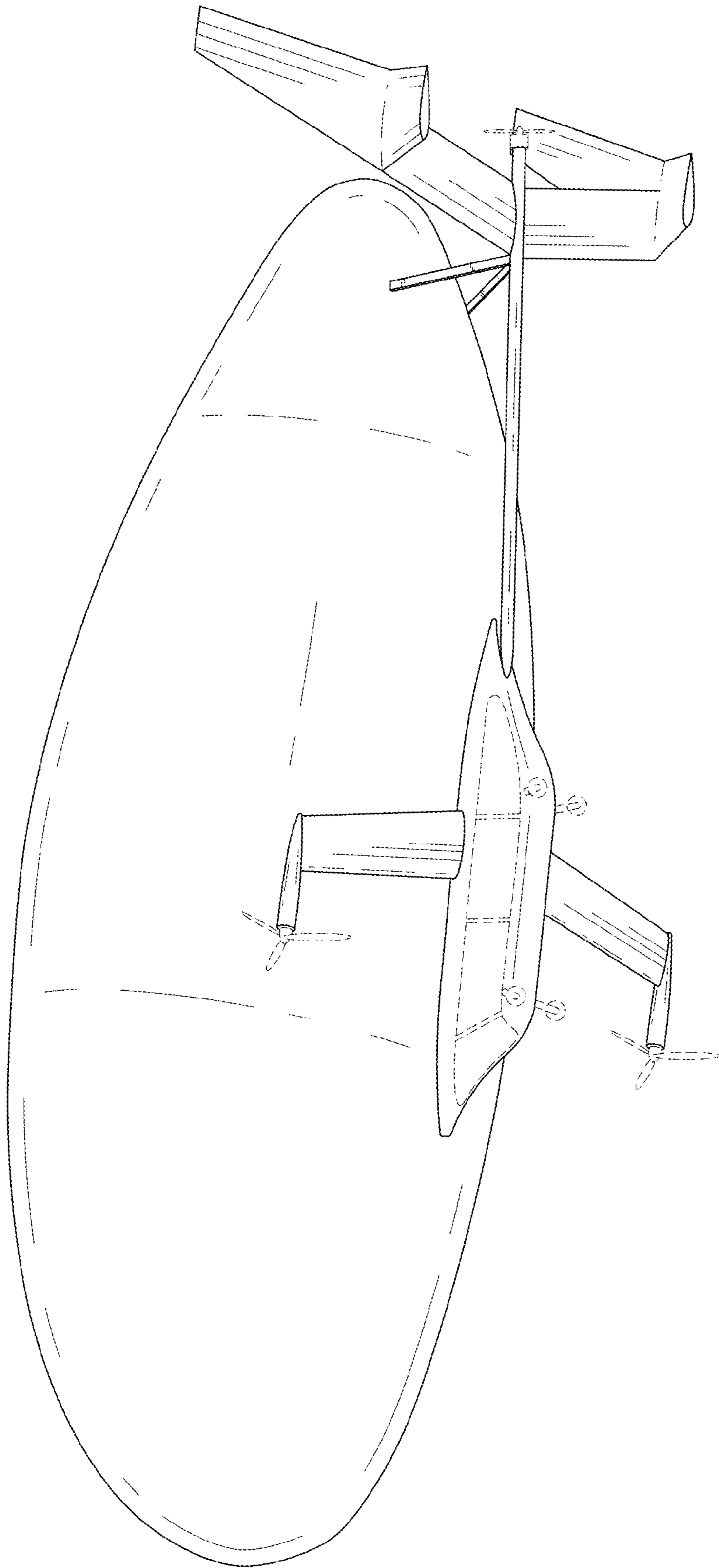


FIG. 1

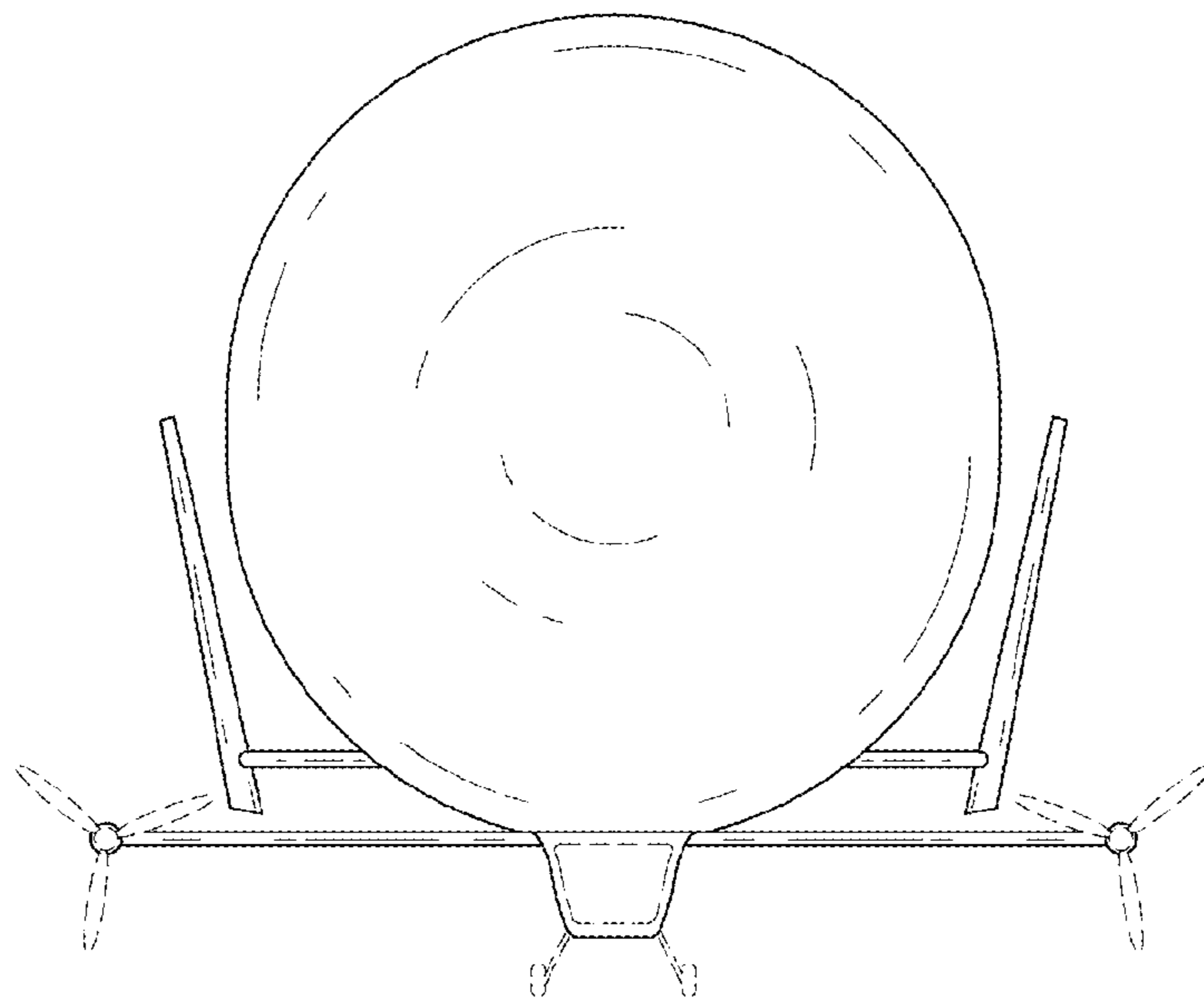


FIG. 2

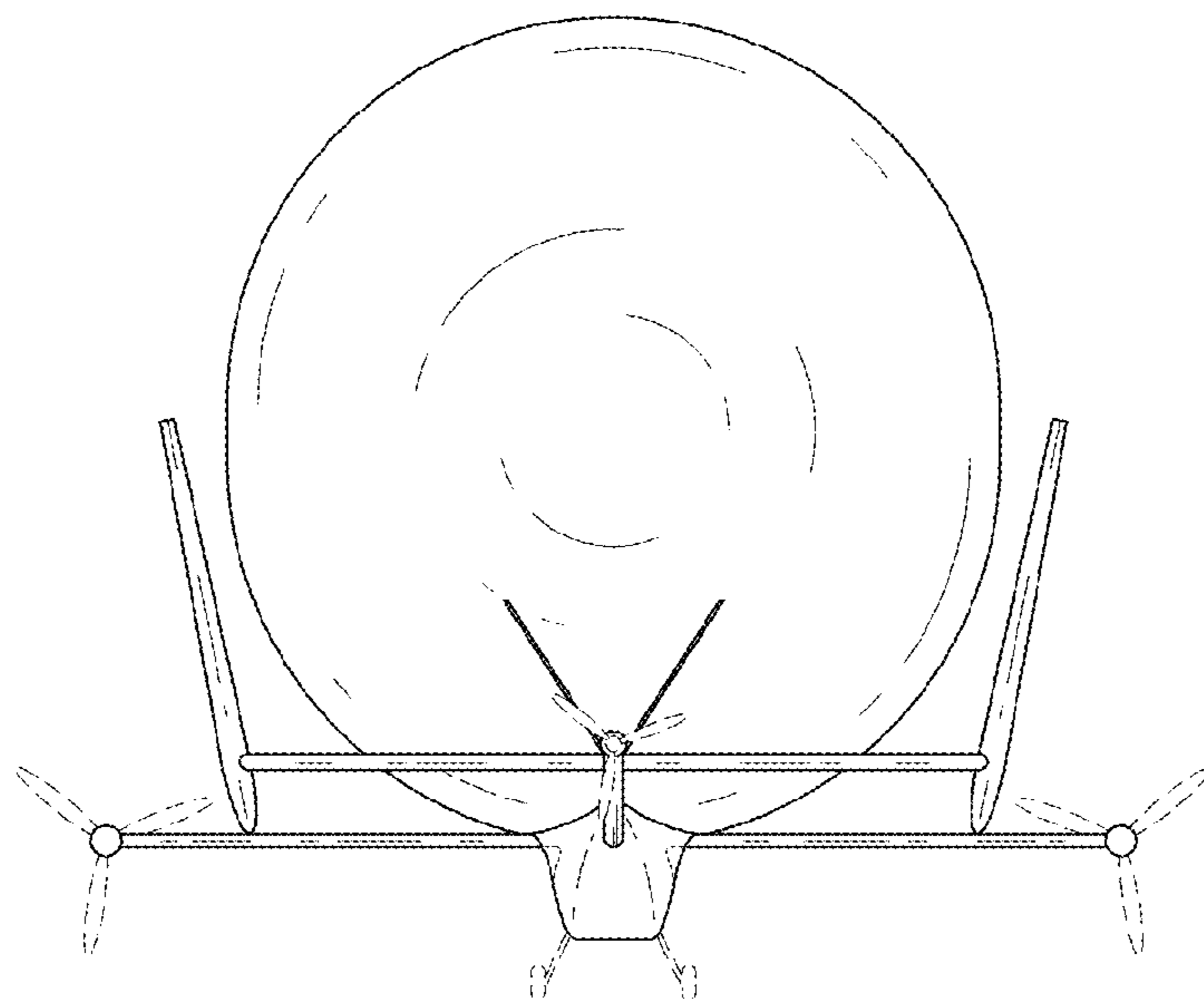


FIG. 3

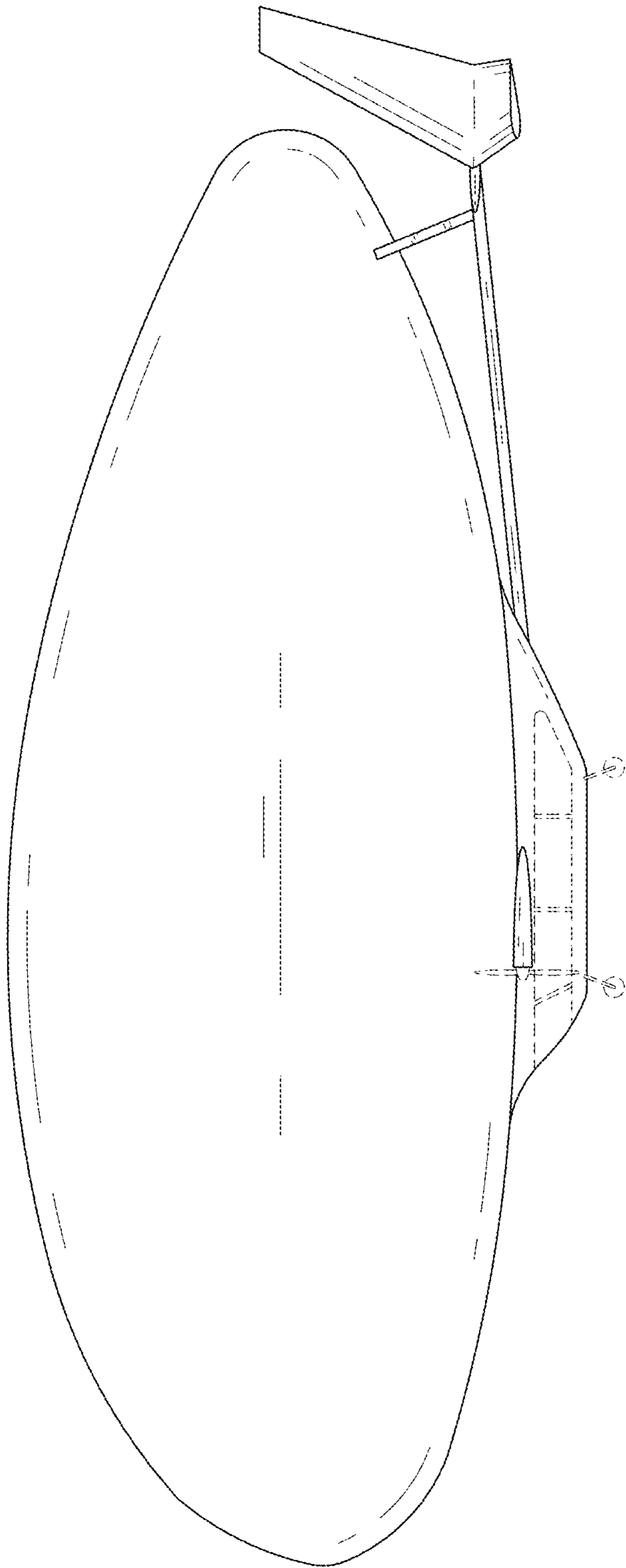


FIG. 4

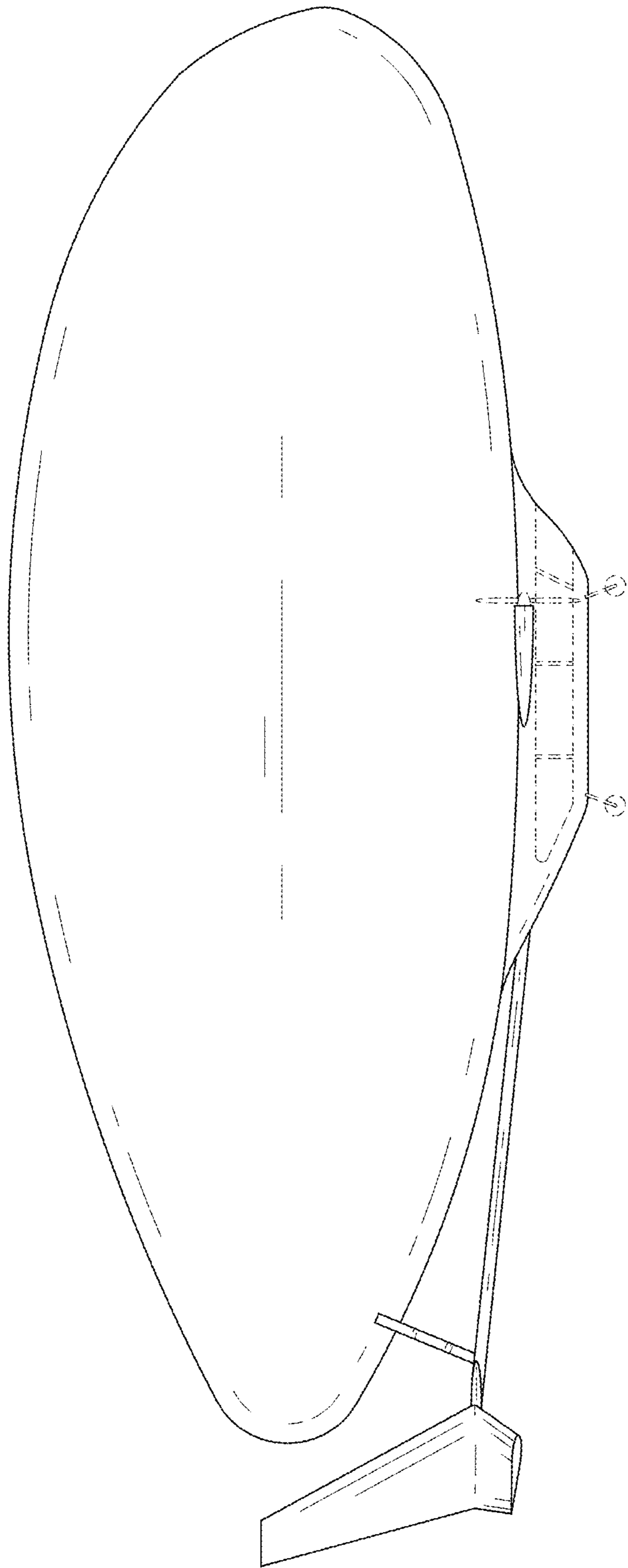


FIG. 5

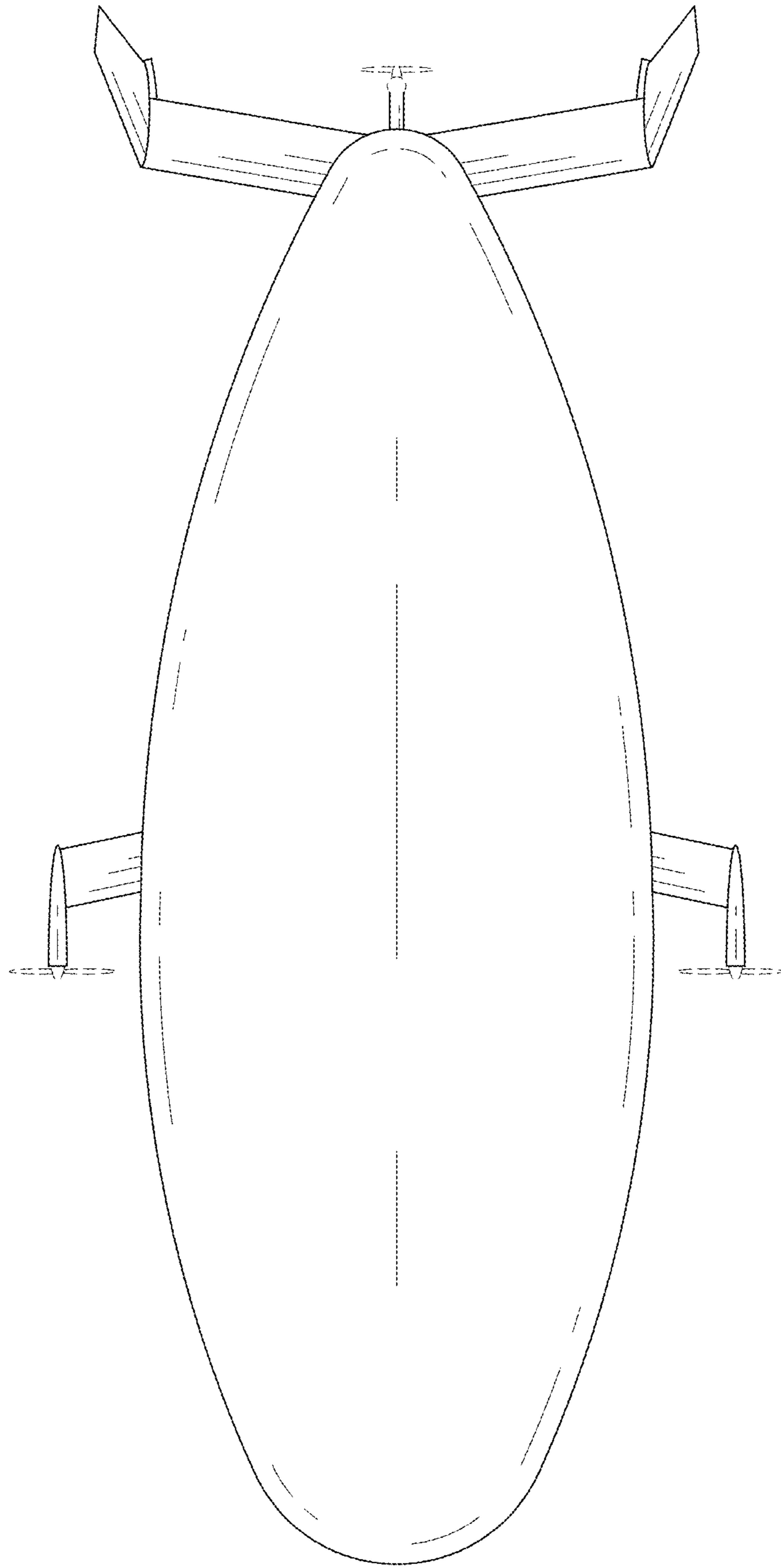


FIG. 6

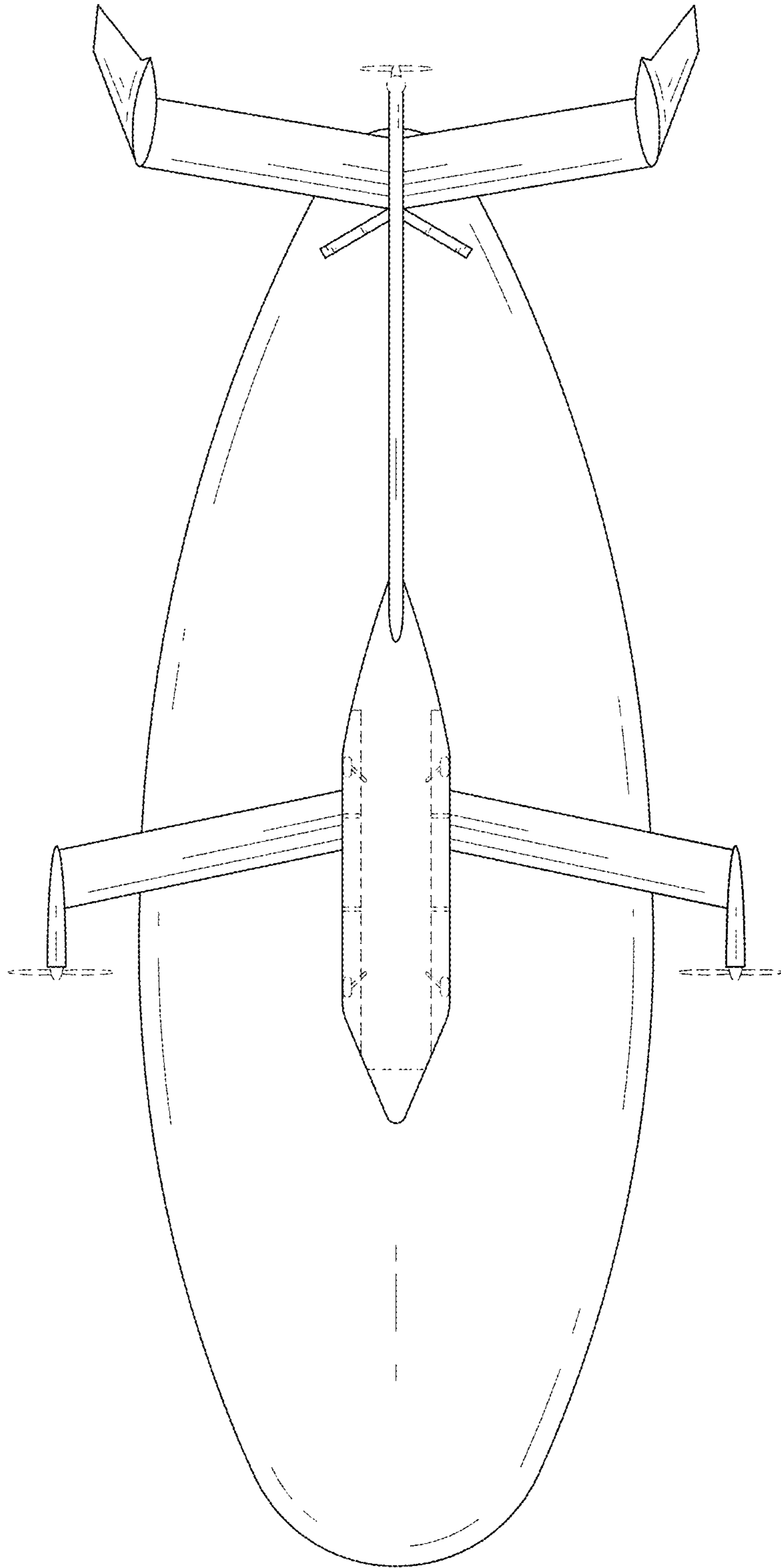


FIG. 7