



US00D727241S

(12) **United States Design Patent**  
**Schiller et al.**

(10) **Patent No.:** **US D727,241 S**  
(45) **Date of Patent:** **\*\* Apr. 21, 2015**

(54) **WATER CRAFT**  
(71) Applicant: **BayCycle, Inc.**, San Francisco, CA (US)  
(72) Inventors: **Judah Schiller**, San Francisco, CA (US); **Kandice Cota**, San Francisco, CA (US); **Marcus Hays**, San Francisco, CA (US); **Markus Peter Diebel**, San Francisco, CA (US); **Joe Sung-Ho Tan**, San Francisco, CA (US); **Seter Libao Wu**, San Francisco, CA (US)

5,273,303 A \* 12/1993 Hornzee-Jones ..... 280/288.3  
D345,136 S \* 3/1994 Schlangen et al. .... D12/306  
D348,244 S \* 6/1994 Schlangen et al. .... D12/306  
5,374,206 A \* 12/1994 Gregory ..... 440/57  
5,718,611 A \* 2/1998 Schlangen et al. .... 440/27  
D396,831 S \* 8/1998 Aprilante et al. .... D12/111  
D514,031 S \* 1/2006 Drew et al. .... D12/111  
D514,032 S \* 1/2006 Drew et al. .... D12/111  
D590,750 S \* 4/2009 Hays ..... D12/111  
7,662,004 B1 \* 2/2010 March et al. .... 440/14  
D623,558 S \* 9/2010 Kelner ..... D12/111  
D668,586 S \* 10/2012 Golias et al. .... D12/111  
2010/0075550 A1 \* 3/2010 Bortsov et al. .... 440/26

(73) Assignee: **Schiller Sports, Inc.**, San Francisco, CA (US)

(\*\*) Term: **14 Years**

(21) Appl. No.: **29/487,446**

(22) Filed: **Apr. 8, 2014**

(51) **LOC (10) Cl.** ..... **12-06**

(52) **U.S. Cl.**  
USPC ..... **D12/306**; D12/317

(58) **Field of Classification Search**  
USPC ..... D12/11, 114, 117, 118, 119, 300, 306,  
D12/317; 440/21, 22, 26, 27, 32, 57;  
114/61, 61.17, 144 A

See application file for complete search history.

(56) **References Cited**

**U.S. PATENT DOCUMENTS**

2,287,706 A \* 6/1942 Perry ..... 440/30  
3,352,276 A \* 11/1967 Zimmerman ..... 114/283  
D222,512 S \* 10/1971 Lenox ..... D21/767  
D276,148 S \* 10/1984 Walker ..... D12/306  
D292,508 S \* 10/1987 Ubezio ..... D12/306  
D292,970 S \* 12/1987 Takezono ..... D12/3  
4,936,801 A \* 6/1990 Herrit ..... 440/12  
4,968,274 A \* 11/1990 Gregory ..... 440/27  
D321,854 S \* 11/1991 Foley et al. .... D12/306  
5,127,855 A \* 7/1992 Heywood ..... 440/14

**OTHER PUBLICATIONS**

Akwakat brochure (Jan. 2012).  
Shuttlebike brochure (Jan. 2012).

\* cited by examiner

*Primary Examiner* — Cynthia M Chin

(74) *Attorney, Agent, or Firm* — Kenneth H. Ohriner;  
Perkins Coie LLP

(57) **CLAIM**

The ornamental design for a water craft, as shown and described.

**DESCRIPTION**

FIG. 1 is a top, front and left side perspective view of my new design.

FIG. 2 is a left side view.

FIG. 3 is a right side view.

FIG. 4 is a top view.

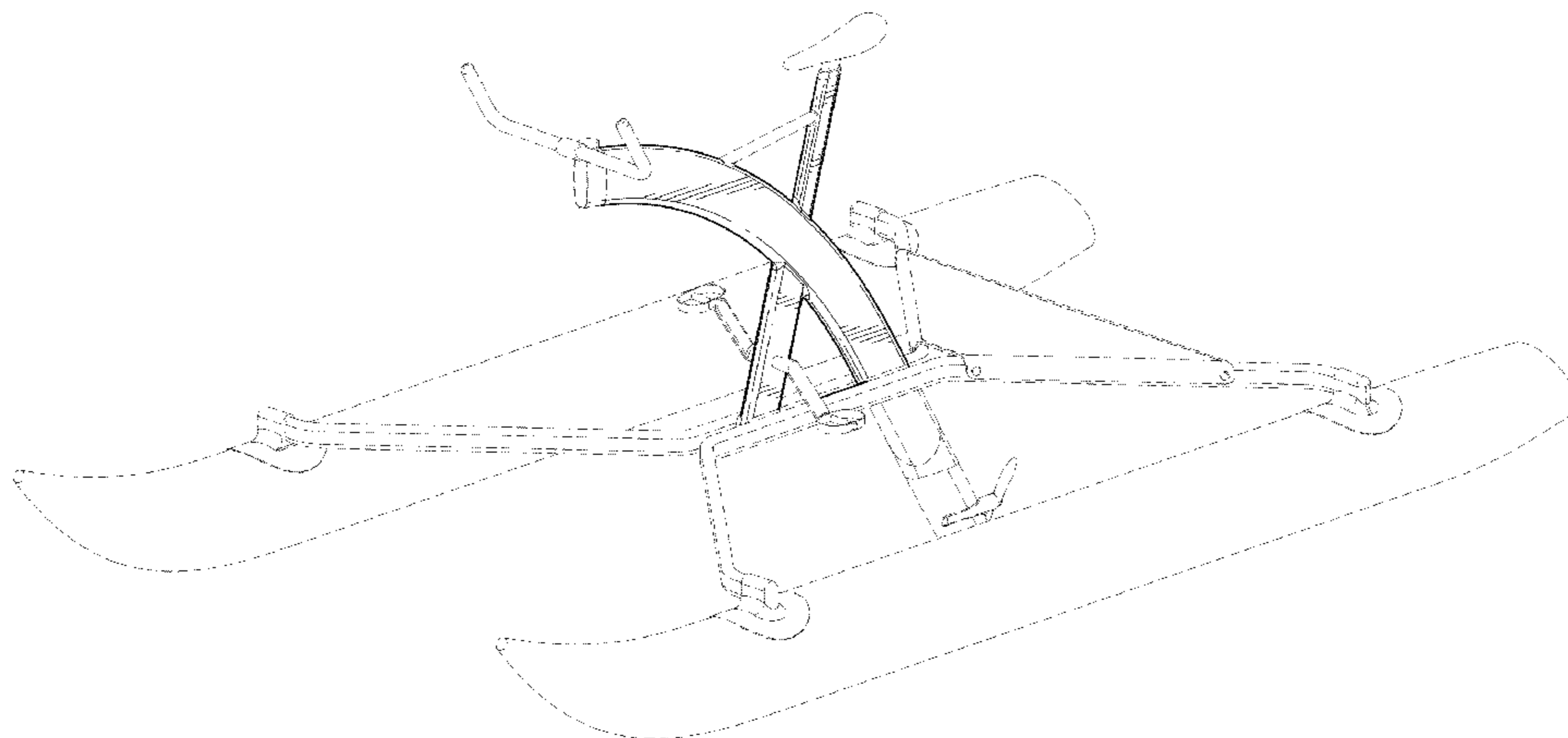
FIG. 5 is a bottom view.

FIG. 6 is a front view; and,

FIG. 7 is a back view.

The broken lines are included for the purpose of illustrating the portions of the water craft that form no part of the claimed design.

**1 Claim, 6 Drawing Sheets**



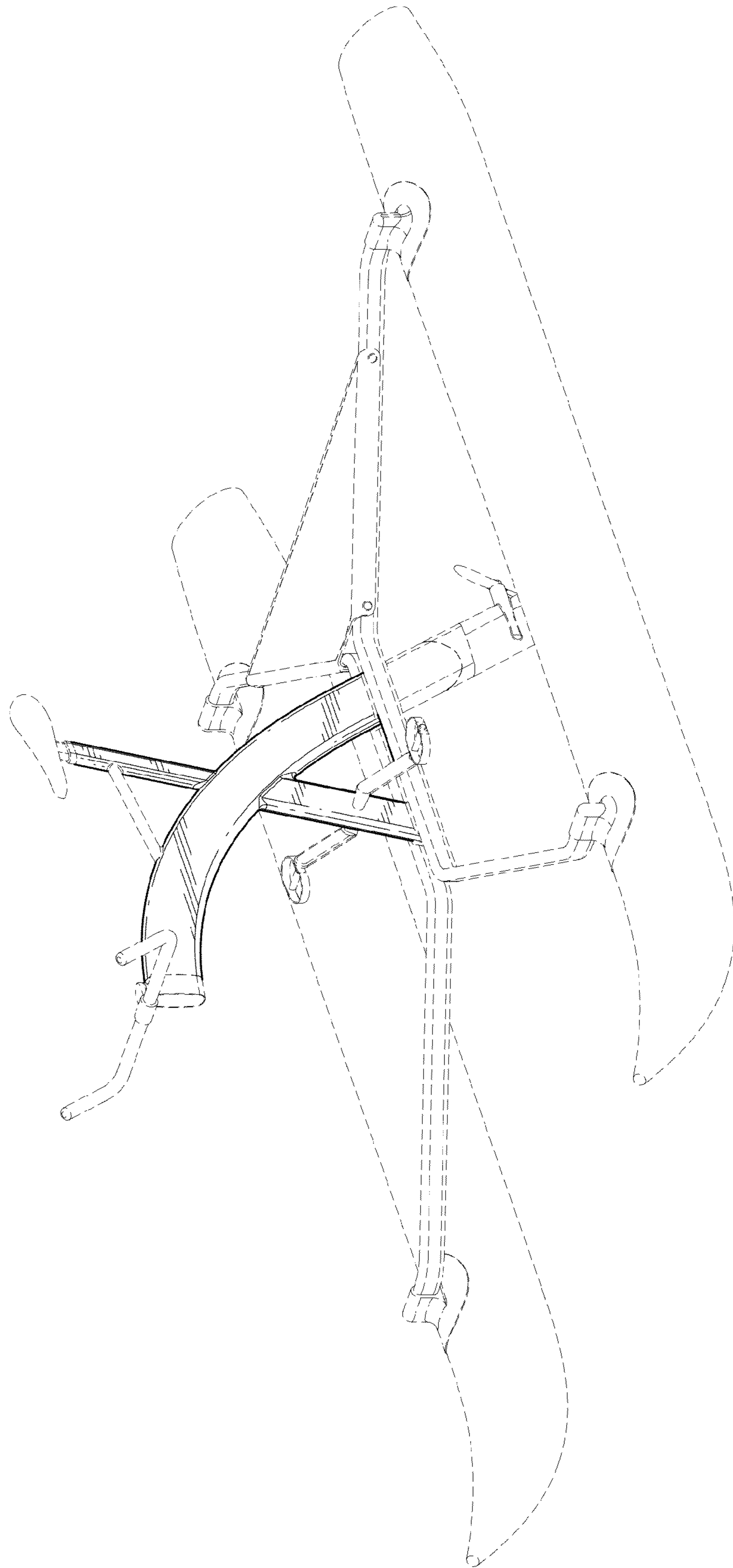


FIG. 1

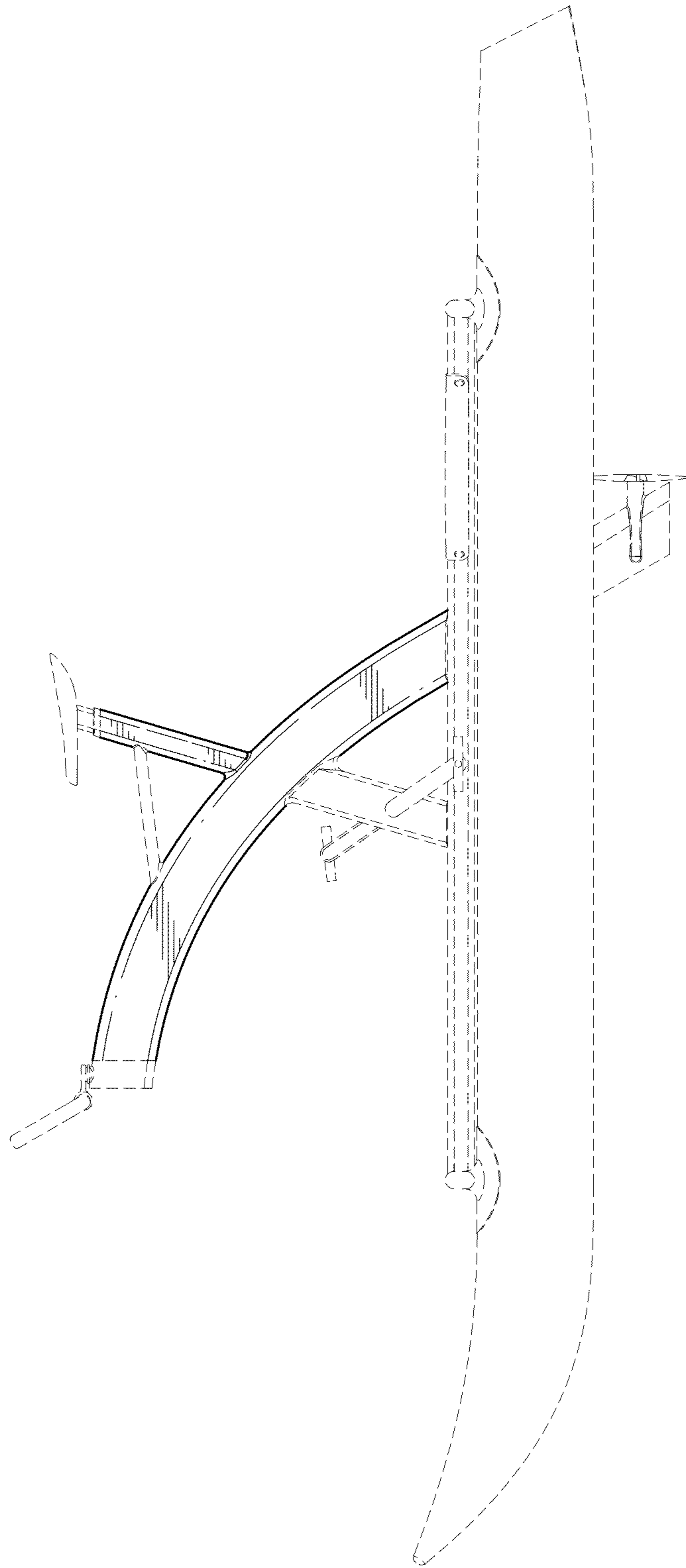


FIG. 2

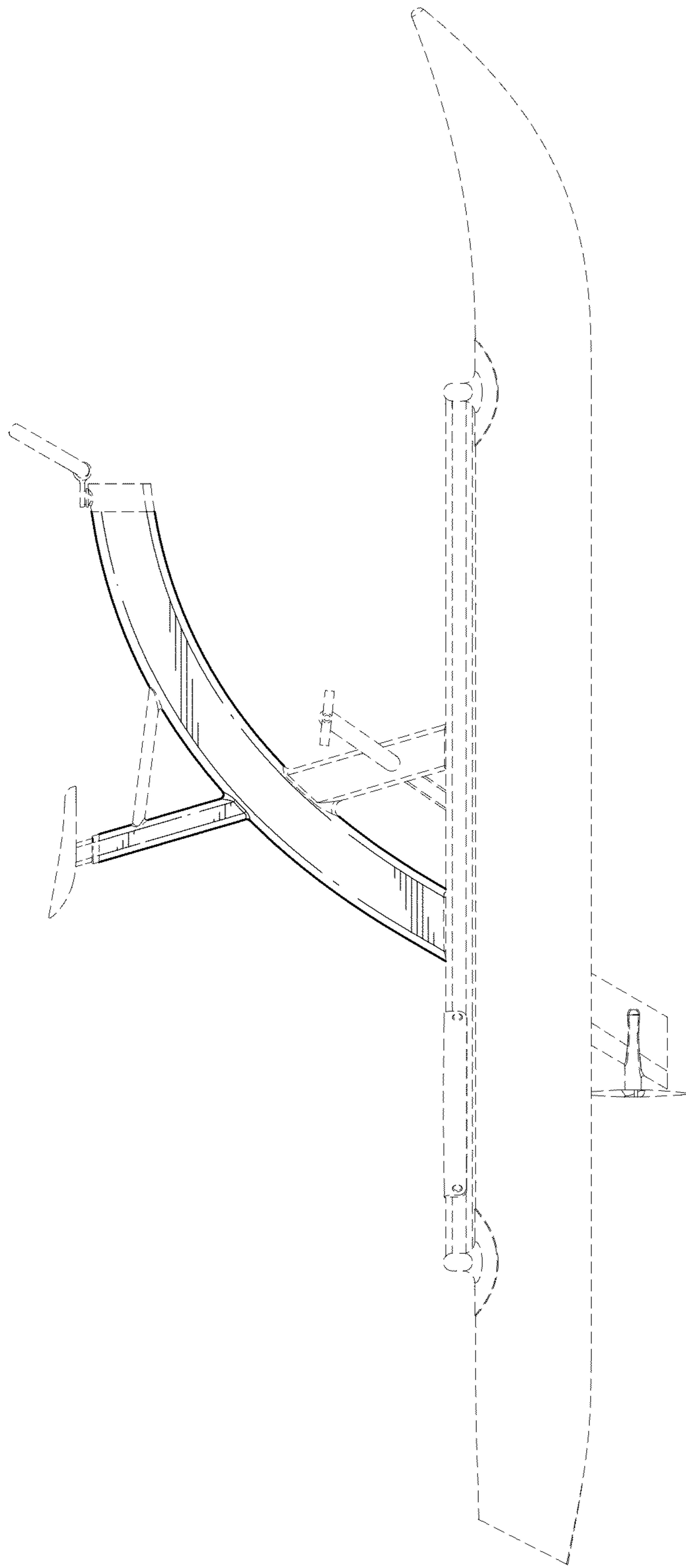


FIG. 3

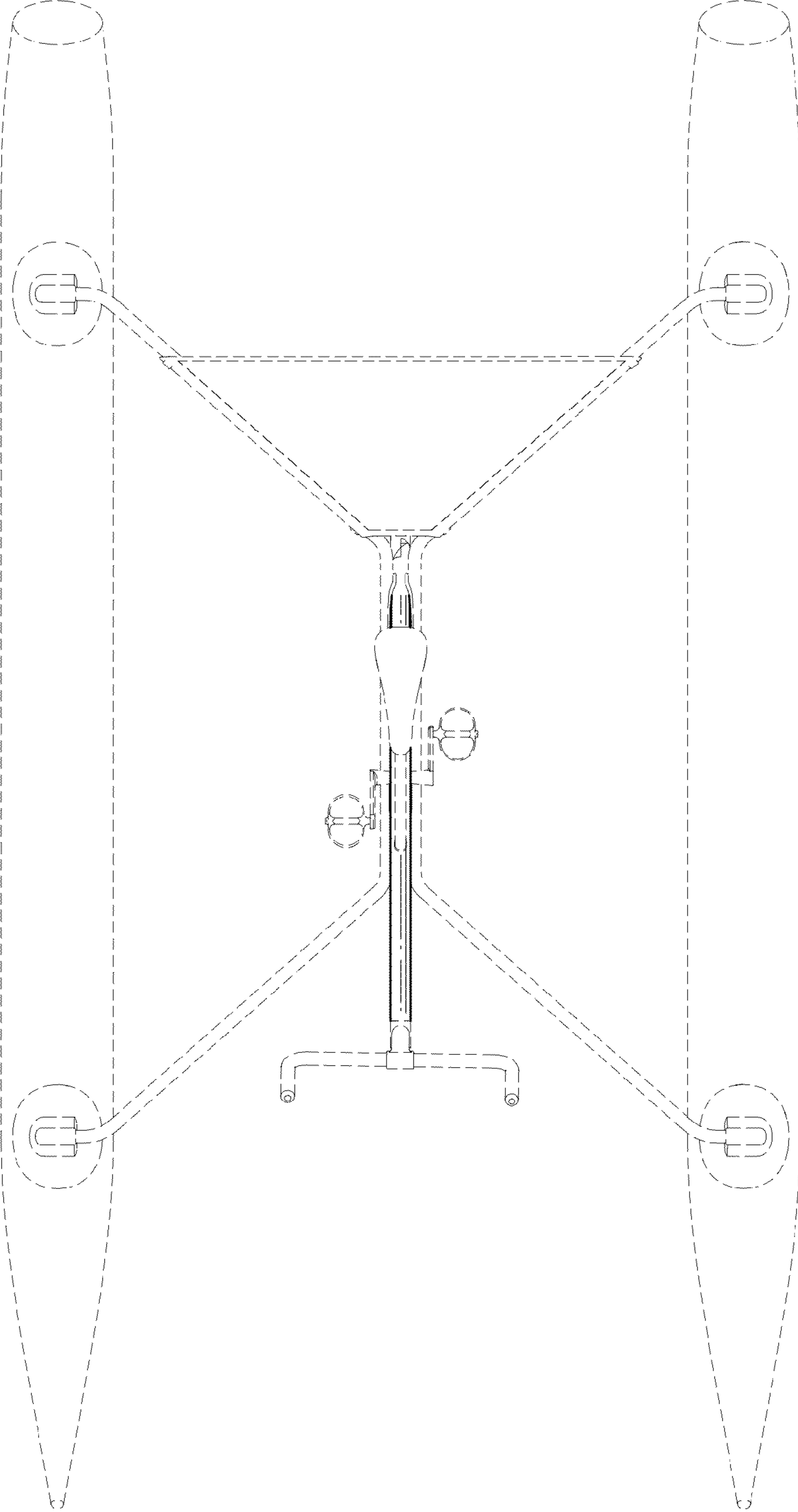


FIG. 4

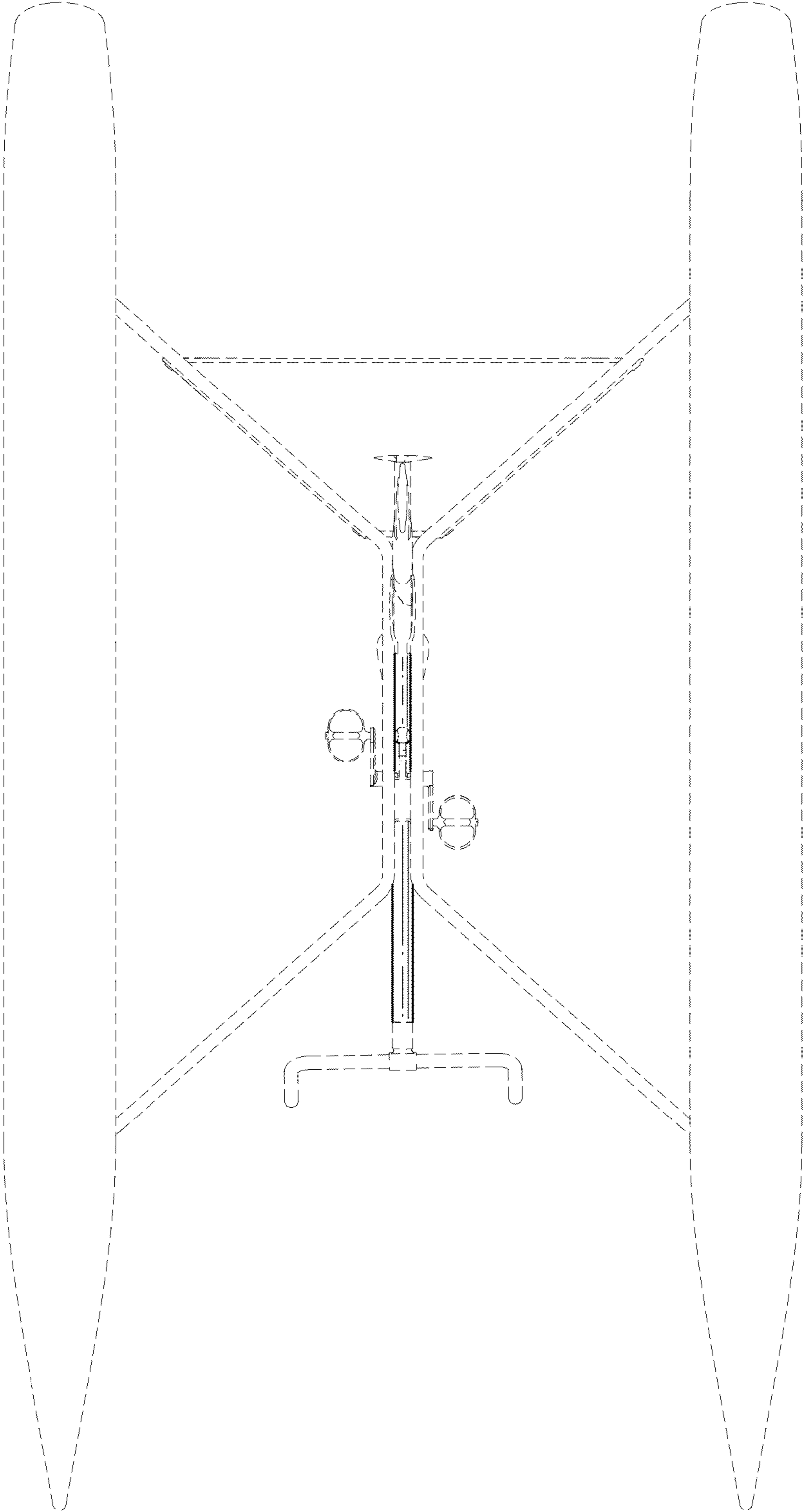


FIG. 5

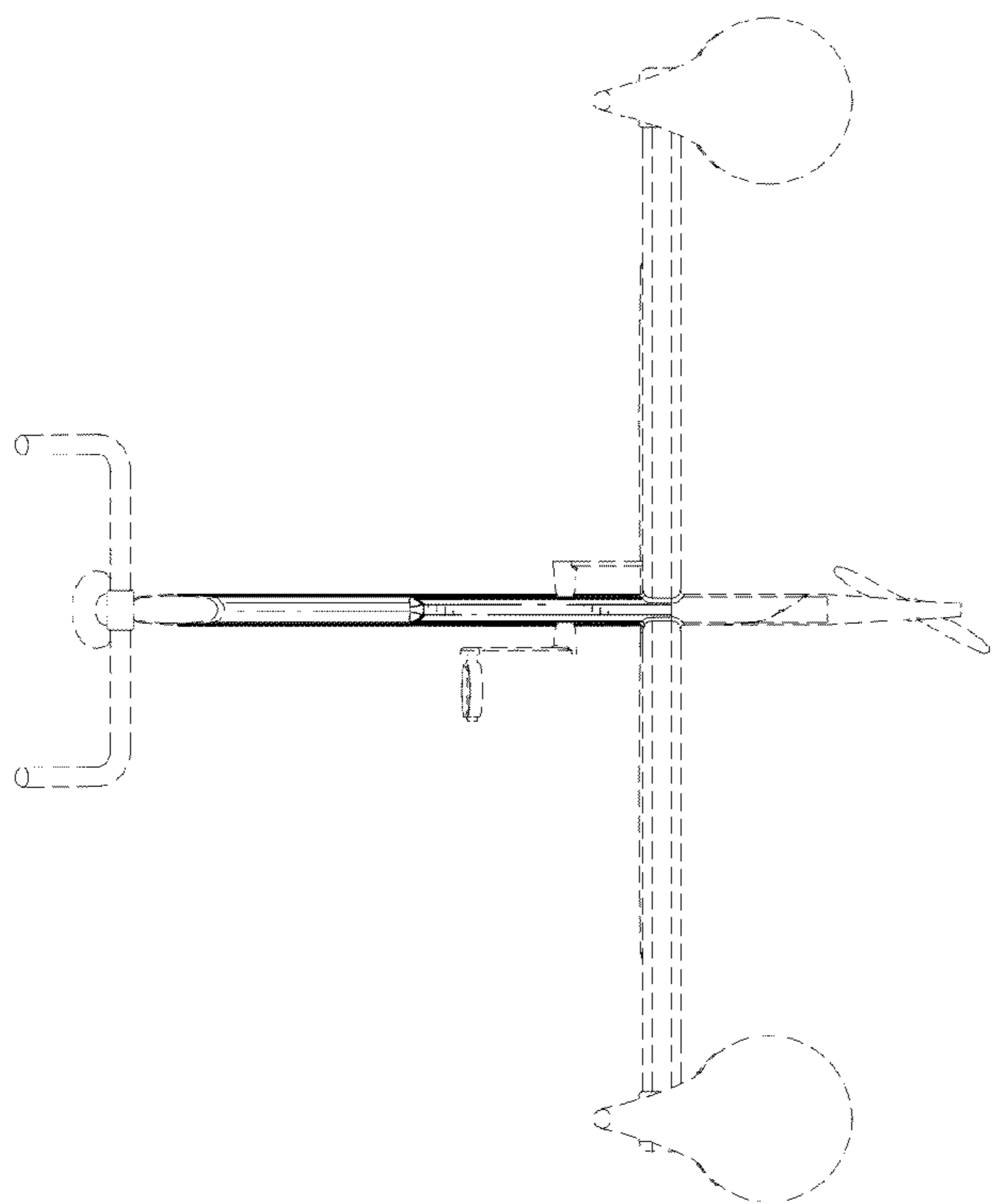


FIG. 6

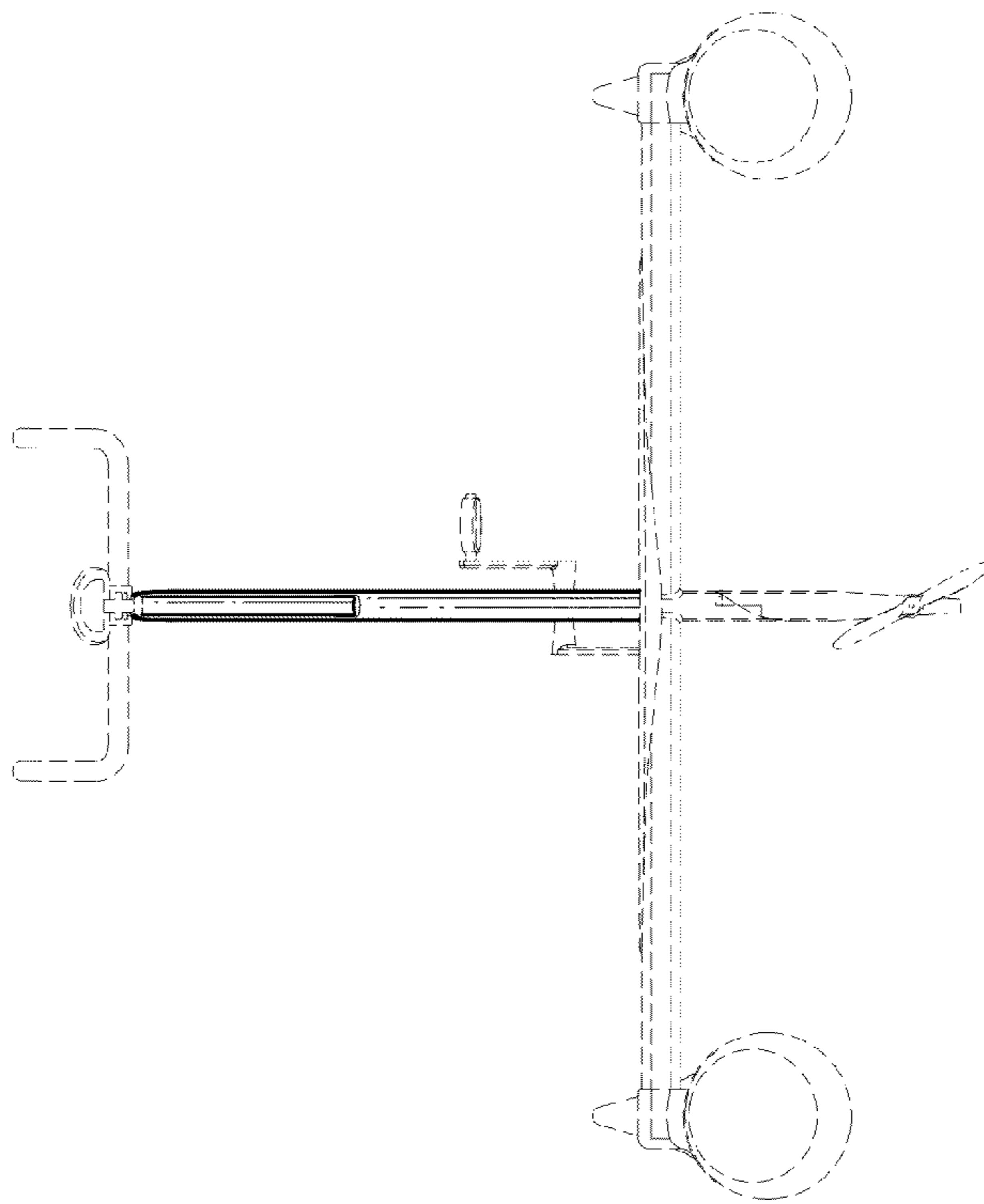


FIG. 7