



US00D727240S

(12) **United States Design Patent**
Schiller et al.

(10) **Patent No.:** **US D727,240 S**
(45) **Date of Patent:** **** Apr. 21, 2015**

(54) **WATER CRAFT**
(71) Applicant: **BayCycle, Inc.**, San Francisco, CA (US)
(72) Inventors: **Judah Schiller**, San Francisco, CA (US); **Kandice Cota**, San Francisco, CA (US); **Marcus Hays**, San Francisco, CA (US); **Markus Peter Diebel**, San Francisco, CA (US); **Joe Sung-Ho Tan**, San Francisco, CA (US); **Seter Libao Wu**, San Francisco, CA (US)

4,968,274	A *	11/1990	Gregory	440/27
D321,854	S *	11/1991	Foley et al.	D12/306
5,127,855	A *	7/1992	Heywood	440/14
D345,136	S *	3/1994	Schlangen et al.	D12/306
D348,244	S *	6/1994	Schlangen et al.	D12/306
5,374,206	A *	12/1994	Gregory	440/57
D389,787	S *	1/1998	Zeigle et al.	D12/111
5,718,611	A *	2/1998	Schlangen et al.	440/27
D435,234	S *	12/2000	Reinke	D12/111
7,662,004	B1 *	2/2010	March et al.	440/14
D685,683	S *	7/2013	Shaw et al.	D12/111
2010/0075550	A1 *	3/2010	Bortsov et al.	440/26

(73) Assignee: **Schiller Sports, Inc.**, San Francisco, CA (US)

Akwakat brochure (Jan. 2012).
Shuttlebike brochure (Jan. 2012).

(**) Term: **14 Years**

* cited by examiner

(21) Appl. No.: **29/487,445**

Primary Examiner — Cynthia M Chin

(22) Filed: **Apr. 8, 2014**

(74) *Attorney, Agent, or Firm* — Kenneth H. Ohriner; Perkins Coie LLP

(51) **LOC (10) Cl.** **12-06**

(52) **U.S. Cl.**
USPC **D12/306; D12/317**

(58) **Field of Classification Search**
USPC D12/11, 114, 117, 118, 119, 300, 306,
D12/317; 440/21, 22, 26, 27, 32, 57;
114/61, 61.17, 144 A
See application file for complete search history.

(57) **CLAIM**

The ornamental design for a water craft, as shown and described.

DESCRIPTION

FIG. 1 is a top, front and left side perspective view of my new design.

FIG. 2 is a left side view.

FIG. 3 is a right side view.

FIG. 4 is a top view.

FIG. 5 is a bottom view.

FIG. 6 is a front view; and,

FIG. 7 is a back view.

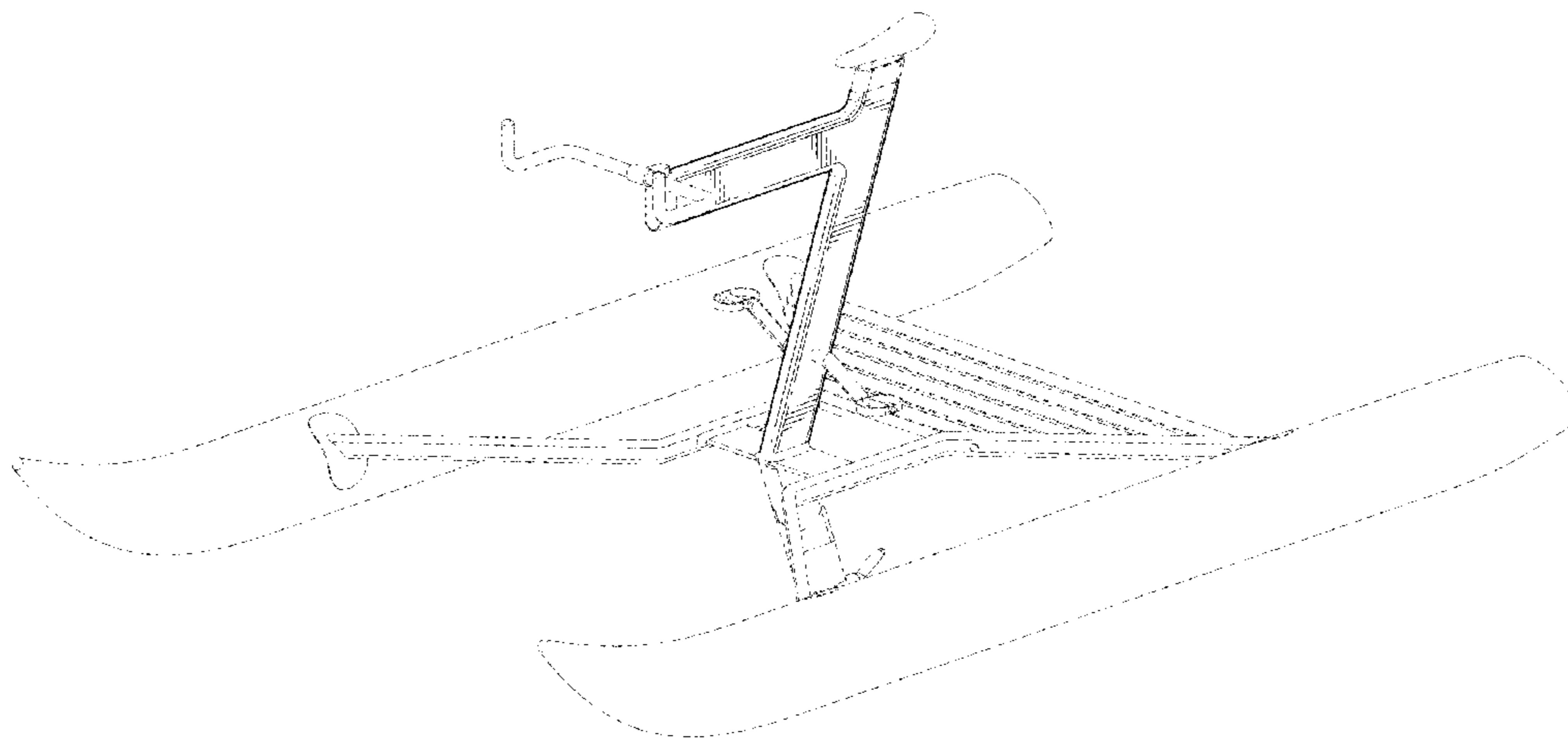
The broken lines are included for the purpose of illustrating the portions of the water craft that form no part of the claimed design.

(56) **References Cited**

U.S. PATENT DOCUMENTS

2,287,706	A *	6/1942	Perry	440/30
3,352,276	A *	11/1967	Zimmerman	114/283
D222,512	S *	10/1971	Lennox	D21/767
D276,148	S *	10/1984	Walker	D12/306
4,511,338	A *	4/1985	Fanelli	440/26
D292,508	S *	10/1987	Ubezio	D12/306
D292,970	S *	12/1987	Takezono	D12/3
4,936,801	A *	6/1990	Herrit	440/12

1 Claim, 6 Drawing Sheets



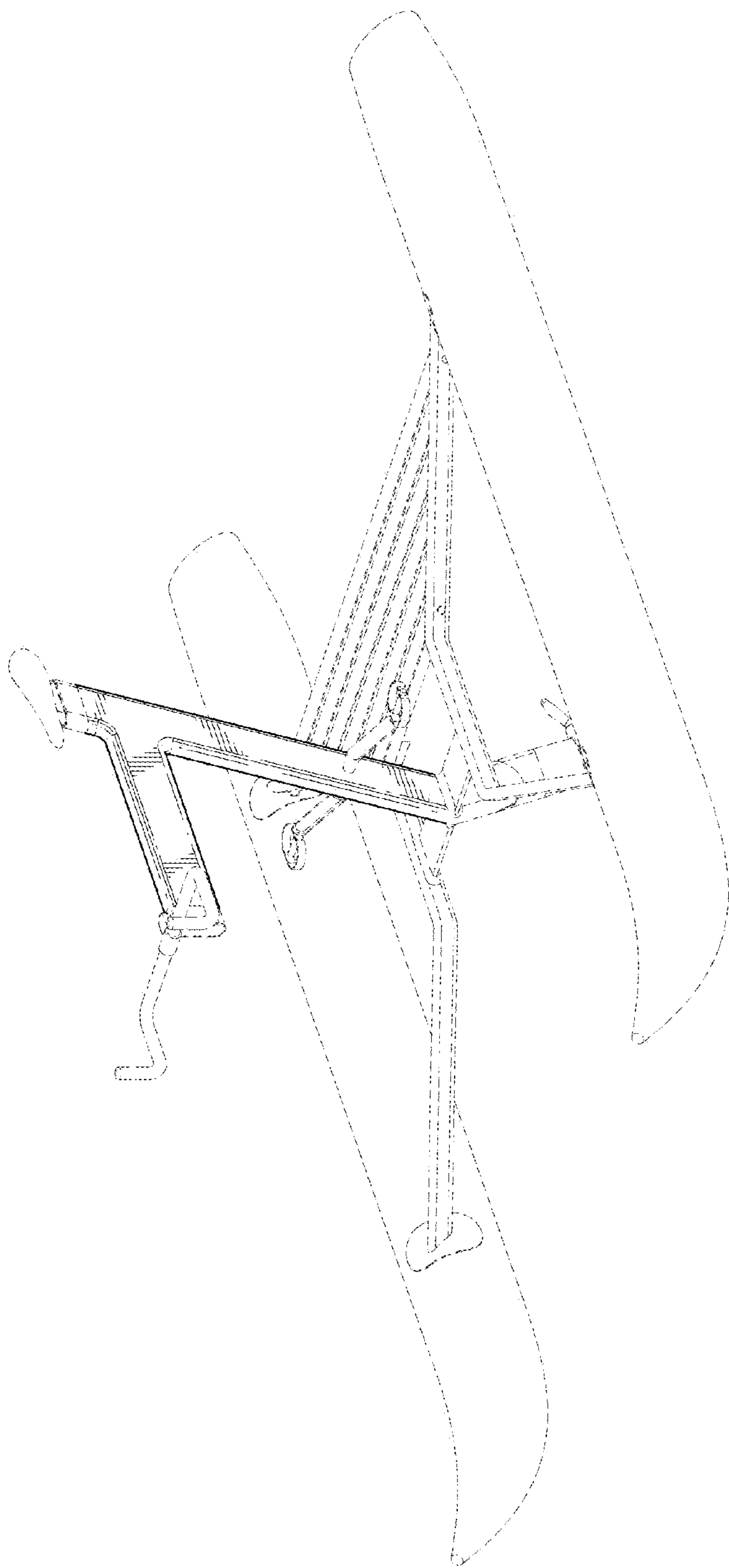


FIG. 1

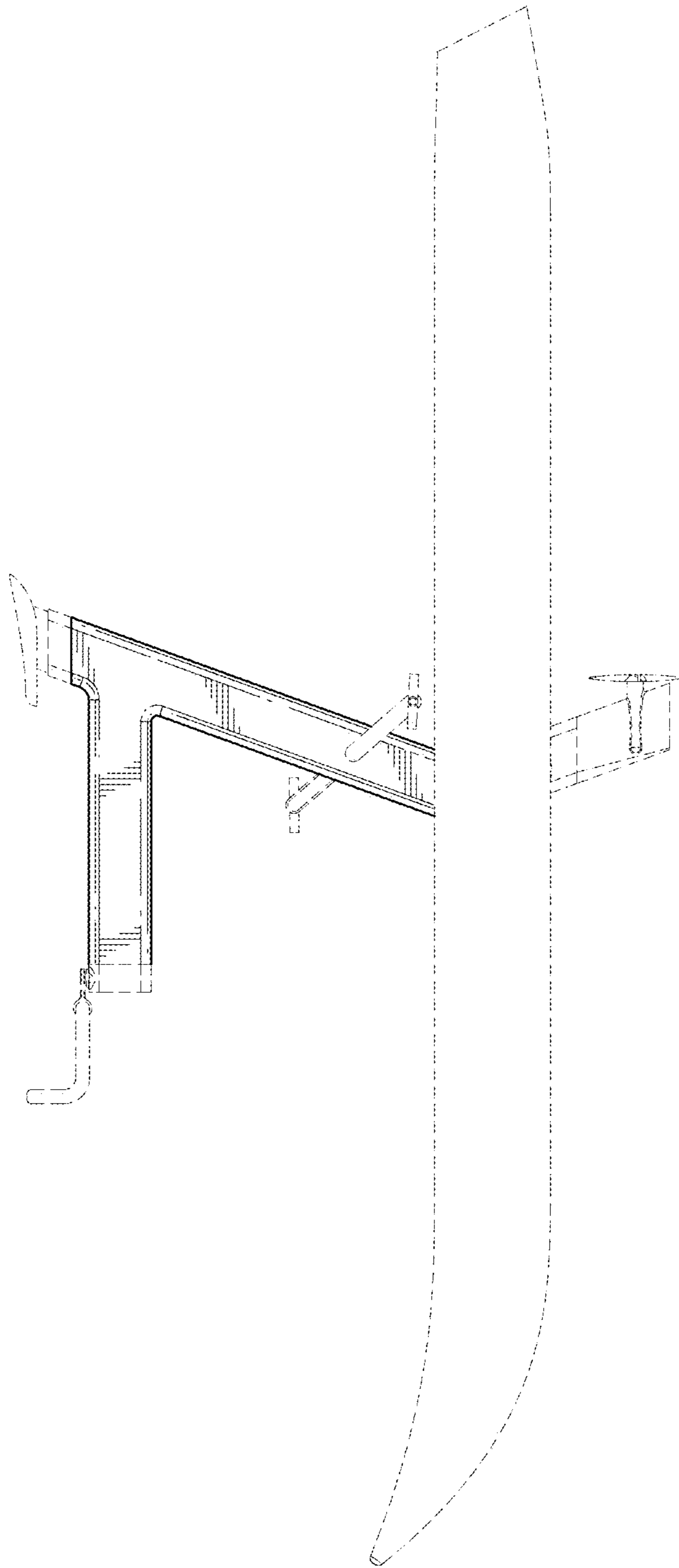


FIG. 2

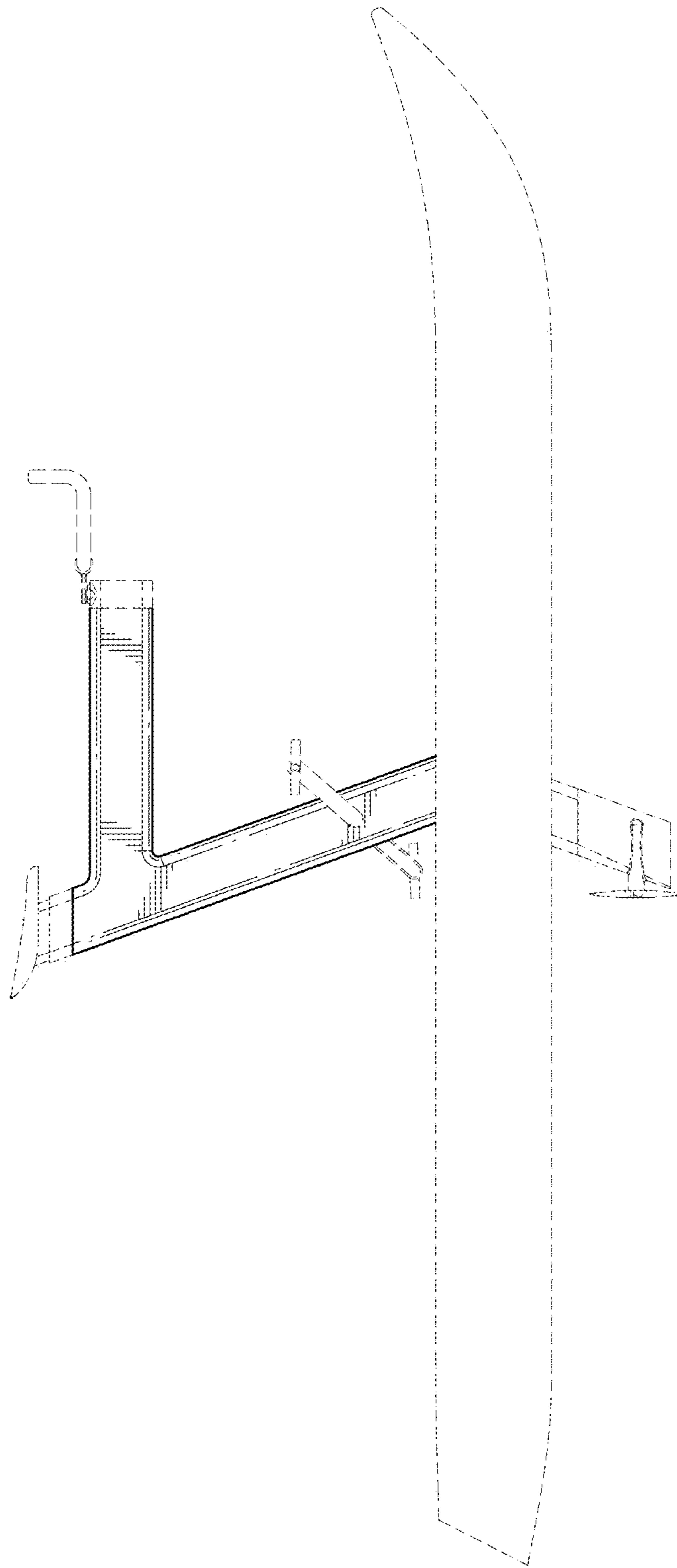


FIG. 3

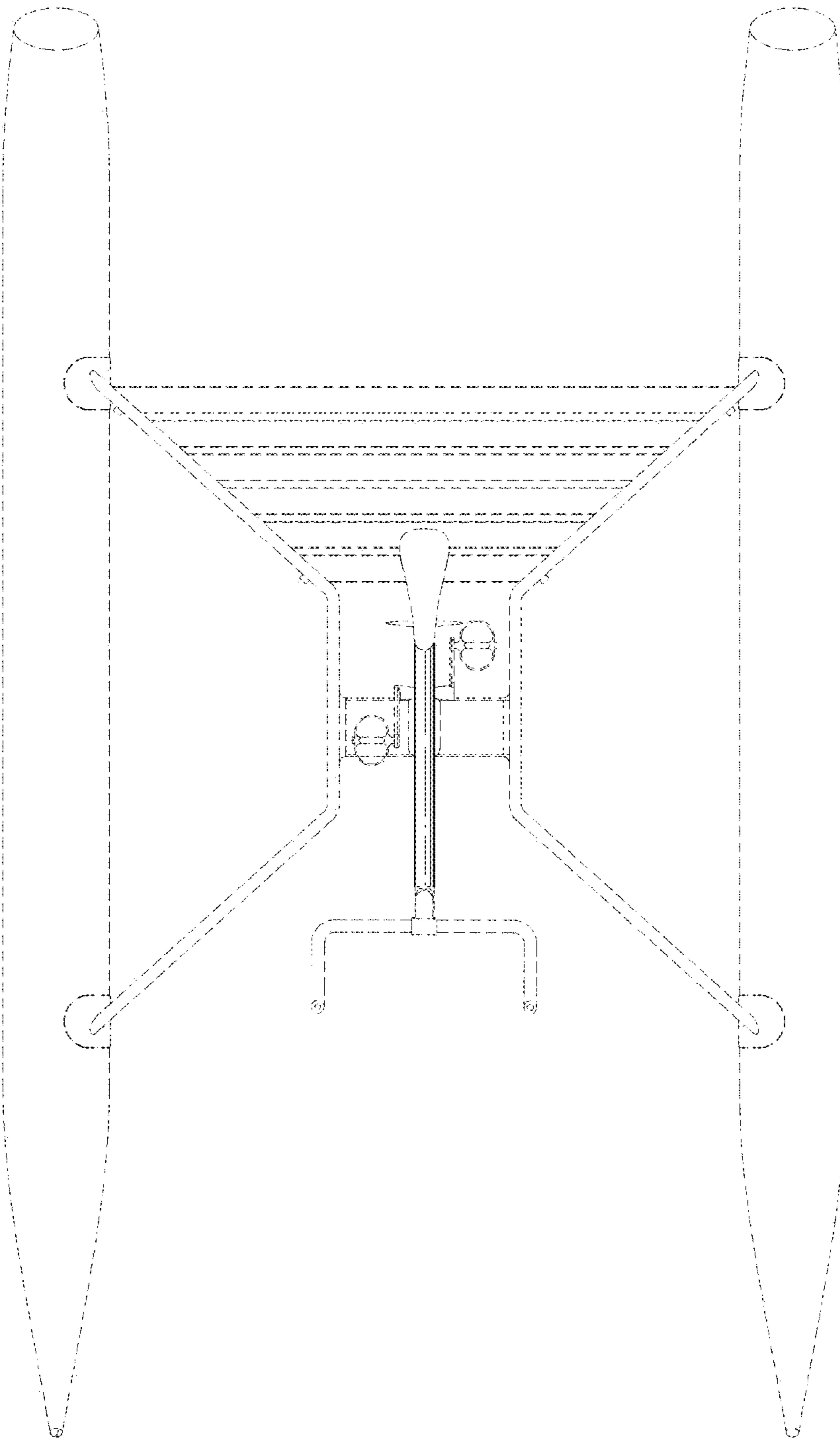


FIG. 4

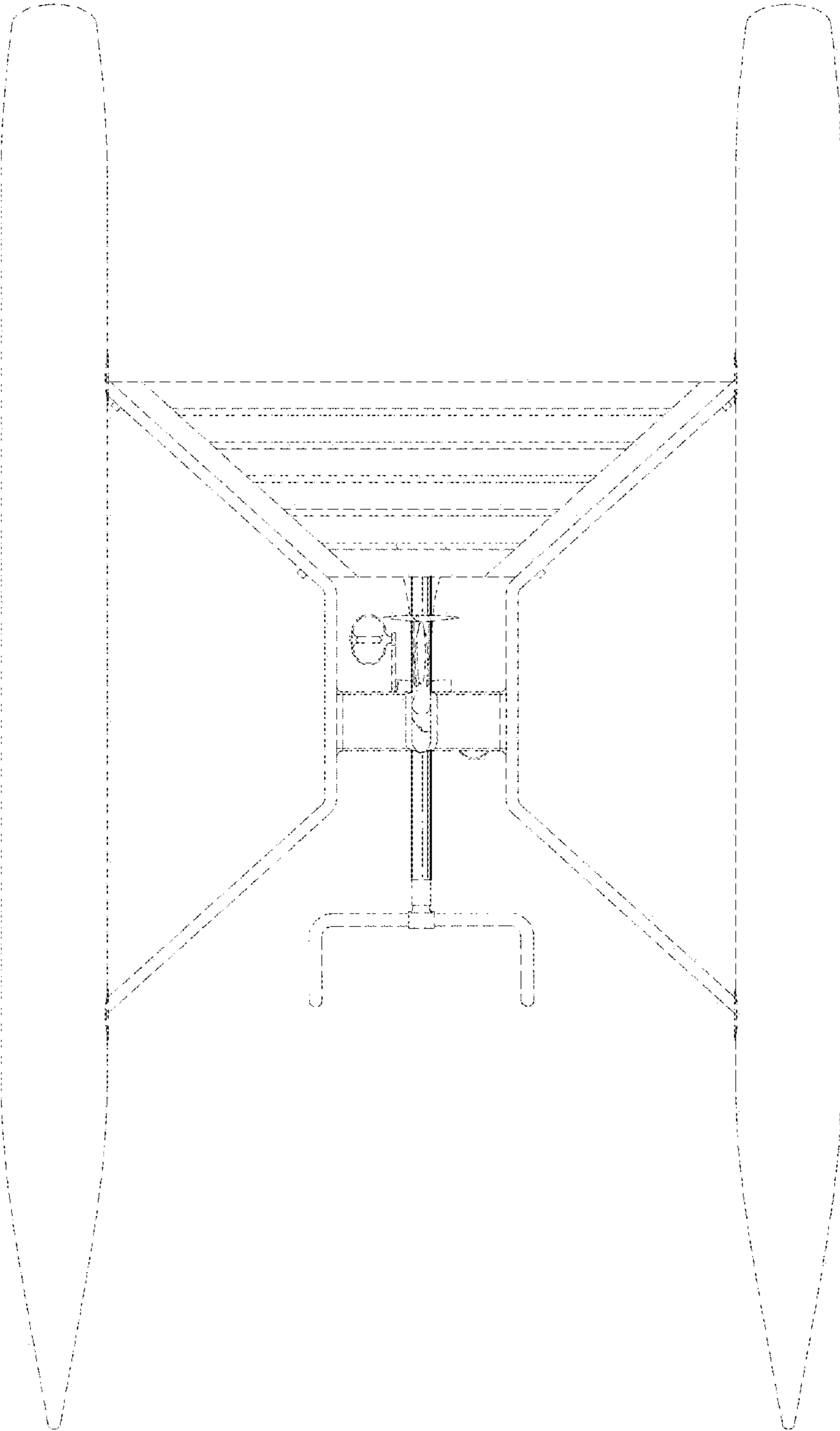


FIG. 5

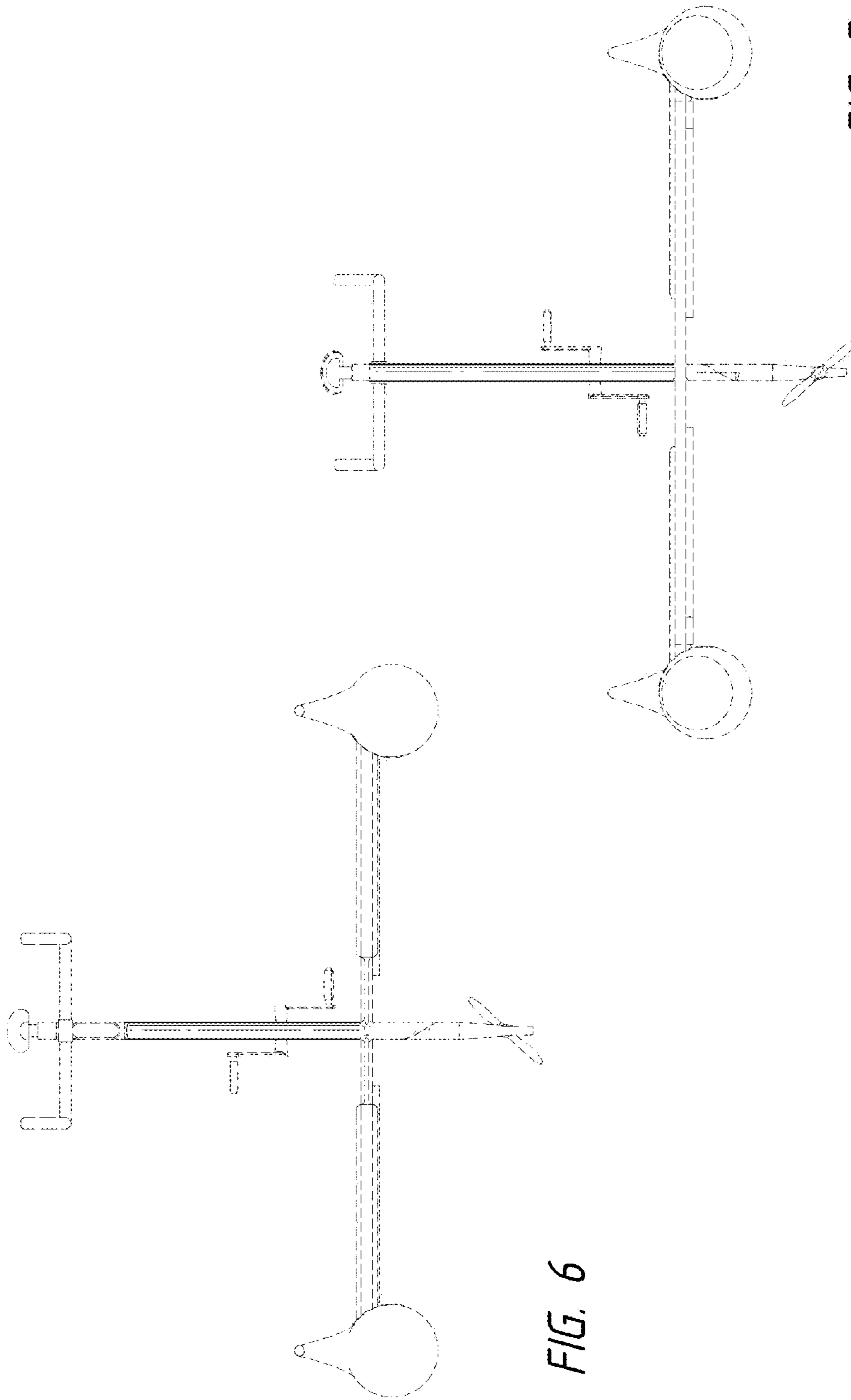


FIG. 6

FIG. 7