



US00D727239S

(12) **United States Design Patent**
Schiller et al.

(10) **Patent No.:** **US D727,239 S**
(45) **Date of Patent:** **** Apr. 21, 2015**

(54) **WATER CRAFT**
(71) Applicant: **BayCycle, Inc.**, San Francisco, CA (US)
(72) Inventors: **Judah Schiller**, San Francisco, CA (US); **Kandice Cota**, San Francisco, CA (US); **Marcus Hays**, San Francisco, CA (US); **Markus Peter Diebel**, San Francisco, CA (US); **Joe Sung-Ho Tan**, San Francisco, CA (US); **Seter Libao Wu**, San Francisco, CA (US)

D321,854	S	*	11/1991	Foley et al.	D12/306
5,127,855	A	*	7/1992	Heywood	440/14
D345,136	S	*	3/1994	Schlangen et al.	D12/306
5,316,508	A	*	5/1994	Landucci	440/30
D348,244	S	*	6/1994	Schlangen et al.	D12/306
5,374,206	A	*	12/1994	Gregory	440/57
5,718,611	A	*	2/1998	Schlangen et al.	440/27
D419,492	S	*	1/2000	Egger et al.	D12/111
D430,070	S	*	8/2000	Kciuk	D12/111
7,662,004	B1	*	2/2010	March et al.	440/14
D685,683	S	*	7/2013	Shaw et al.	D12/111
2010/0075550	A1	*	3/2010	Bortsov et al.	440/26

(73) Assignee: **Schiller Sports, Inc.**, San Francisco, CA (US)

(**) Term: **14 Years**

(21) Appl. No.: **29/487,441**

(22) Filed: **Apr. 8, 2014**

(51) **LOC (10) Cl.** **12-06**

(52) **U.S. Cl.**
USPC **D12/306**; D12/317

(58) **Field of Classification Search**
USPC D12/11, 114, 117, 118, 119, 300, 306,
D12/317; 440/21, 22, 26, 27, 32, 57;
114/61, 61.17, 144 A

See application file for complete search history.

(56) **References Cited**

U.S. PATENT DOCUMENTS

2,287,706	A	*	6/1942	Perry	440/30
3,352,276	A	*	11/1967	Zimmerman	114/283
D222,512	S	*	10/1971	Lenox	D21/767
D276,148	S	*	10/1984	Walker	D12/306
4,493,657	A	*	1/1985	Zeitler	440/27
D292,508	S	*	10/1987	Ubezio	D12/306
D292,970	S	*	12/1987	Takezono	D12/3
4,936,801	A	*	6/1990	Herrit	440/12
4,968,274	A	*	11/1990	Gregory	440/27

OTHER PUBLICATIONS

Akwakat brochure (Jan. 2012).
Shuttlebike brochure (Jan. 2012).

* cited by examiner

Primary Examiner — Cynthia M Chin

(74) *Attorney, Agent, or Firm* — Kenneth H. Ohriner;
Perkins Coie LLP

(57) **CLAIM**

The ornamental design for a water craft, as shown and described.

DESCRIPTION

FIG. 1 is a top, front and left side perspective view of my new design.

FIG. 2 is a left side view.

FIG. 3 is a right side view.

FIG. 4 is a top view.

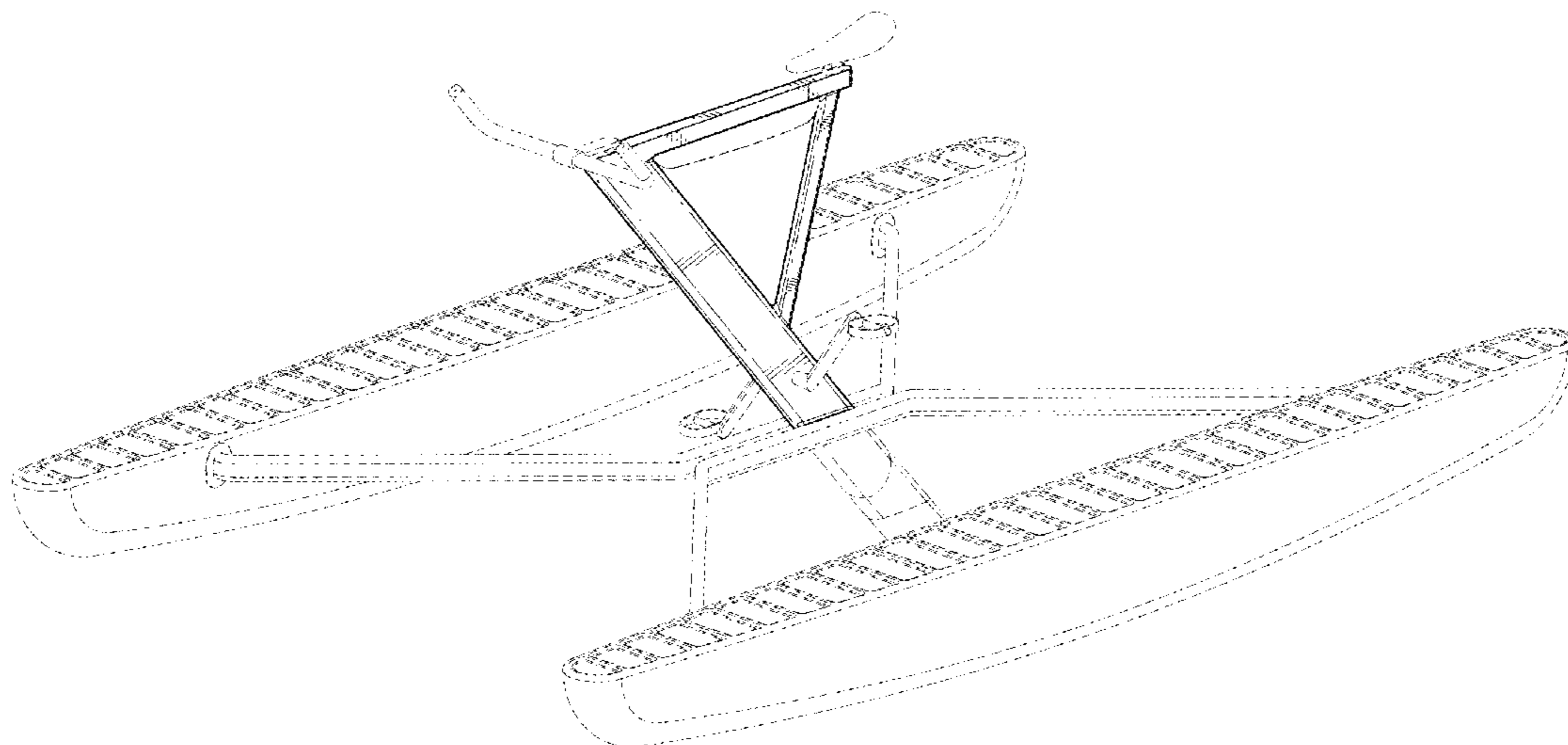
FIG. 5 is a bottom view.

FIG. 6 is a front view; and,

FIG. 7 is a back view.

The broken lines are included for the purpose of illustrating the portions of the water craft that form no part of the claimed design.

1 Claim, 6 Drawing Sheets



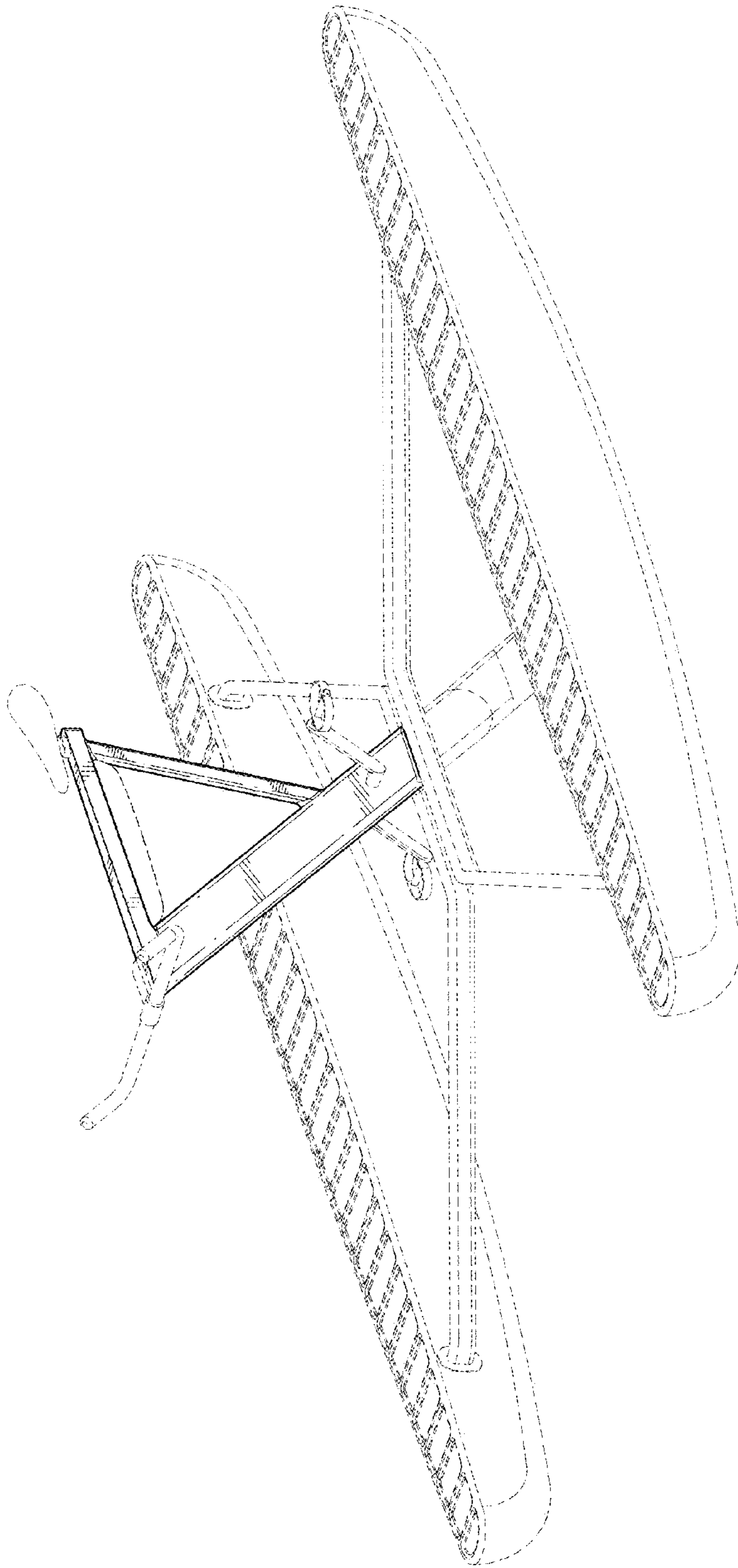


FIG. 1

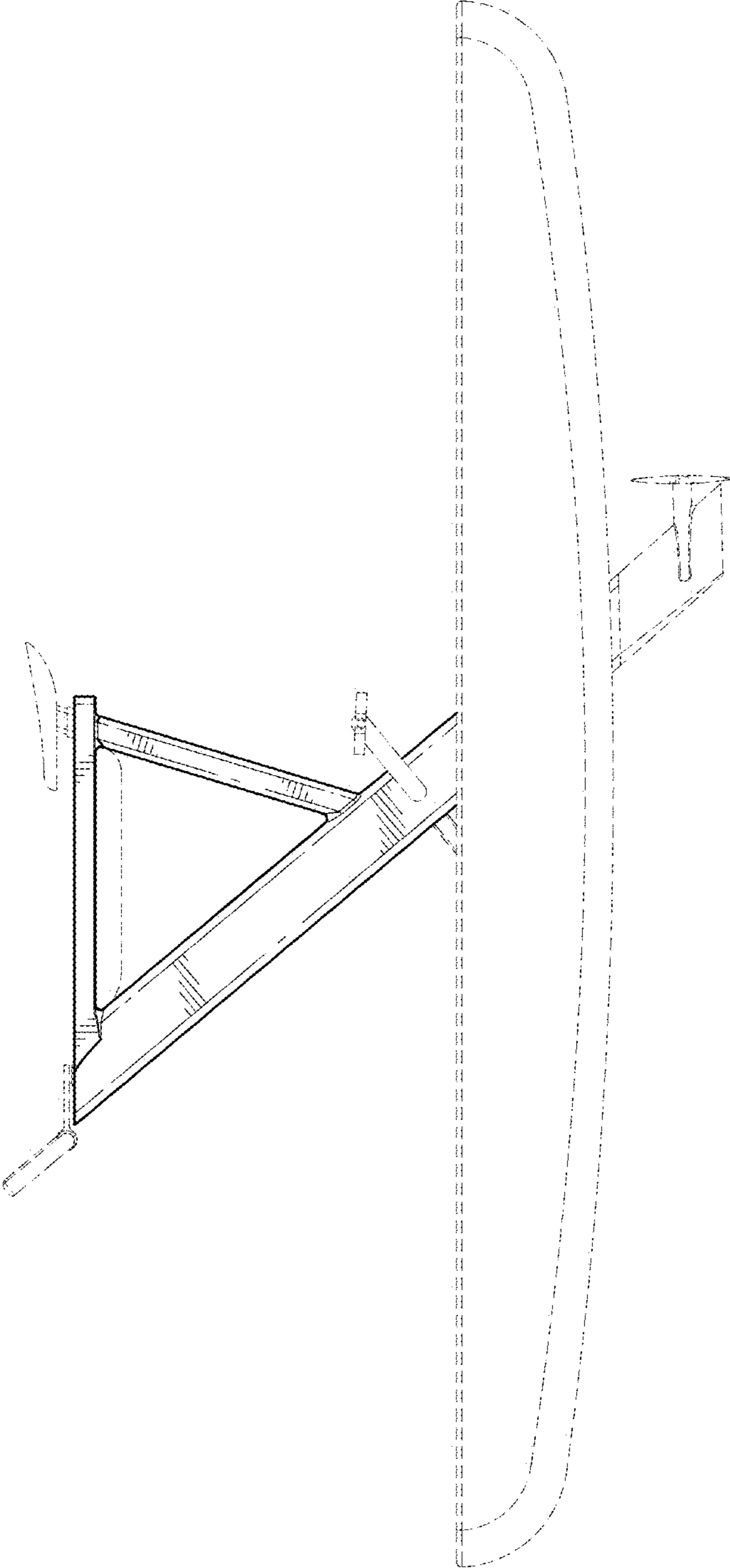


FIG. 2

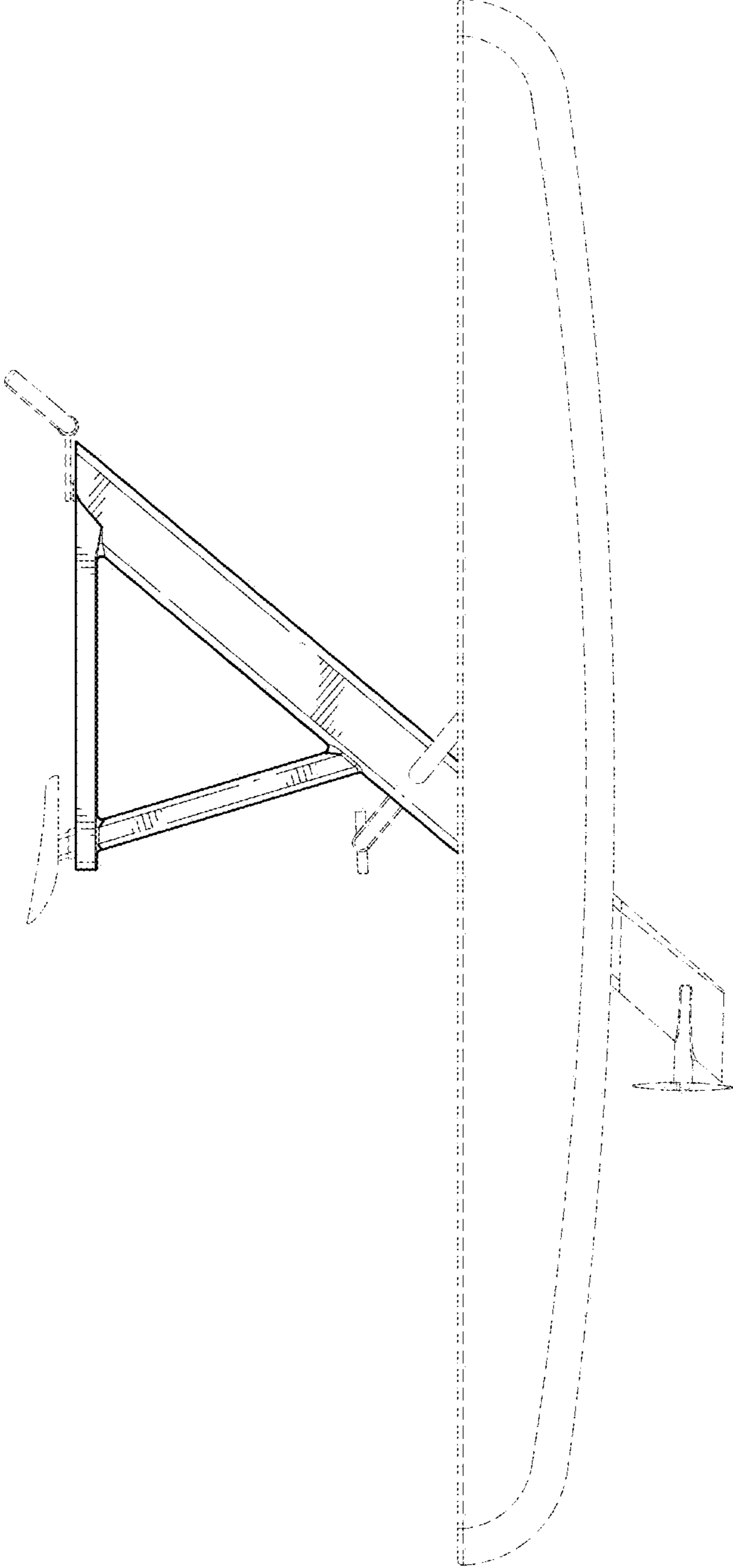


FIG. 3

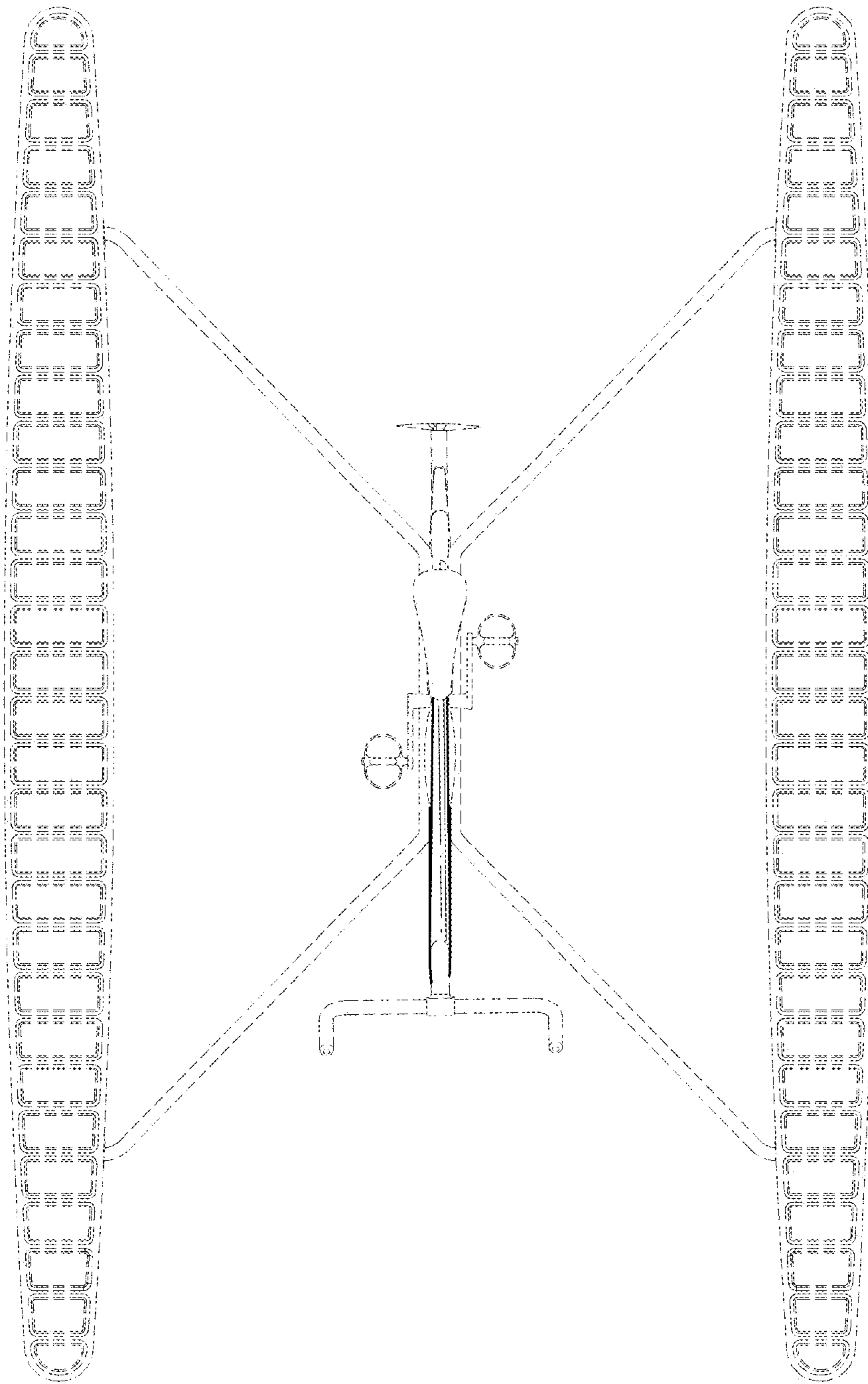


FIG. 4

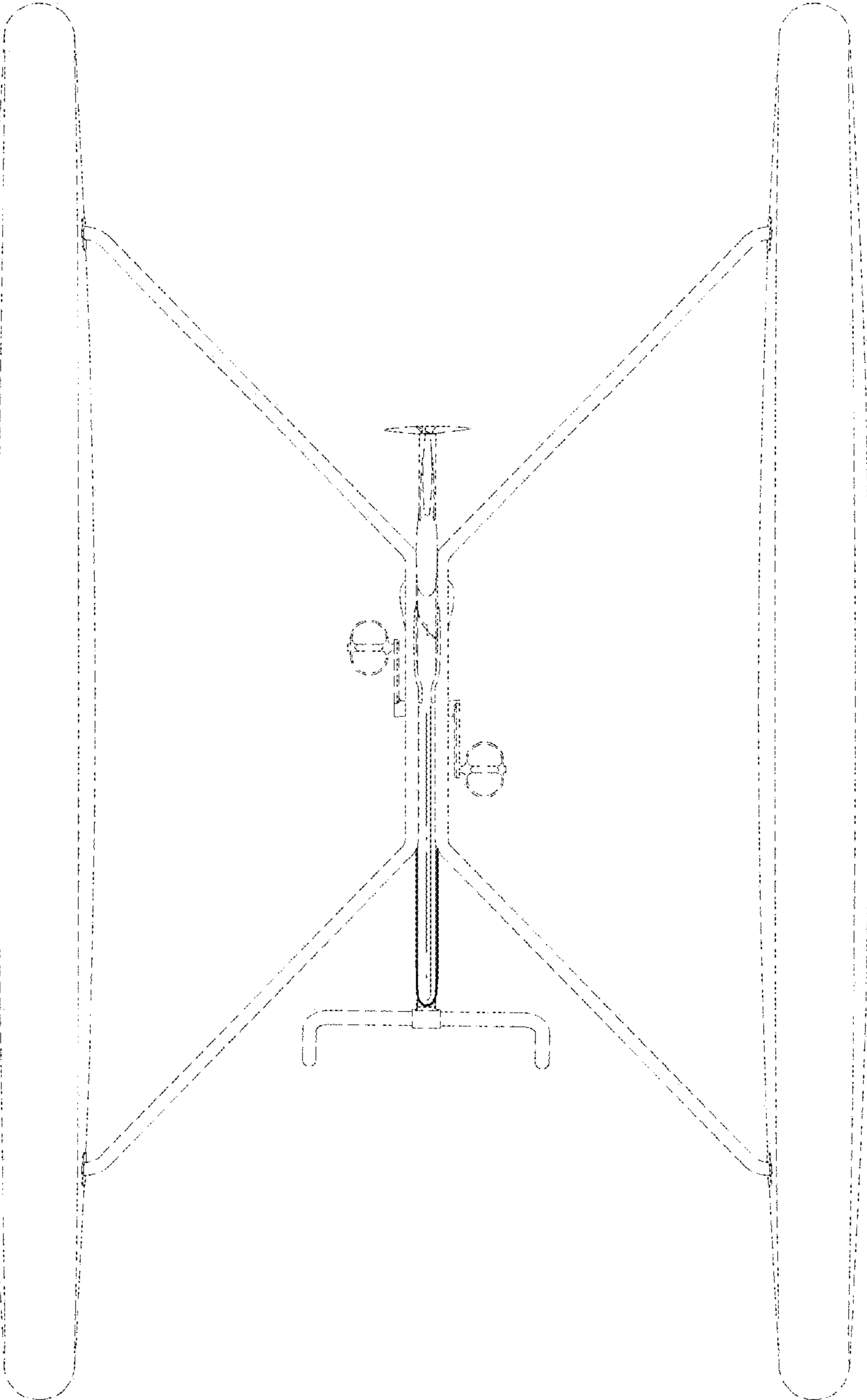


FIG. 5

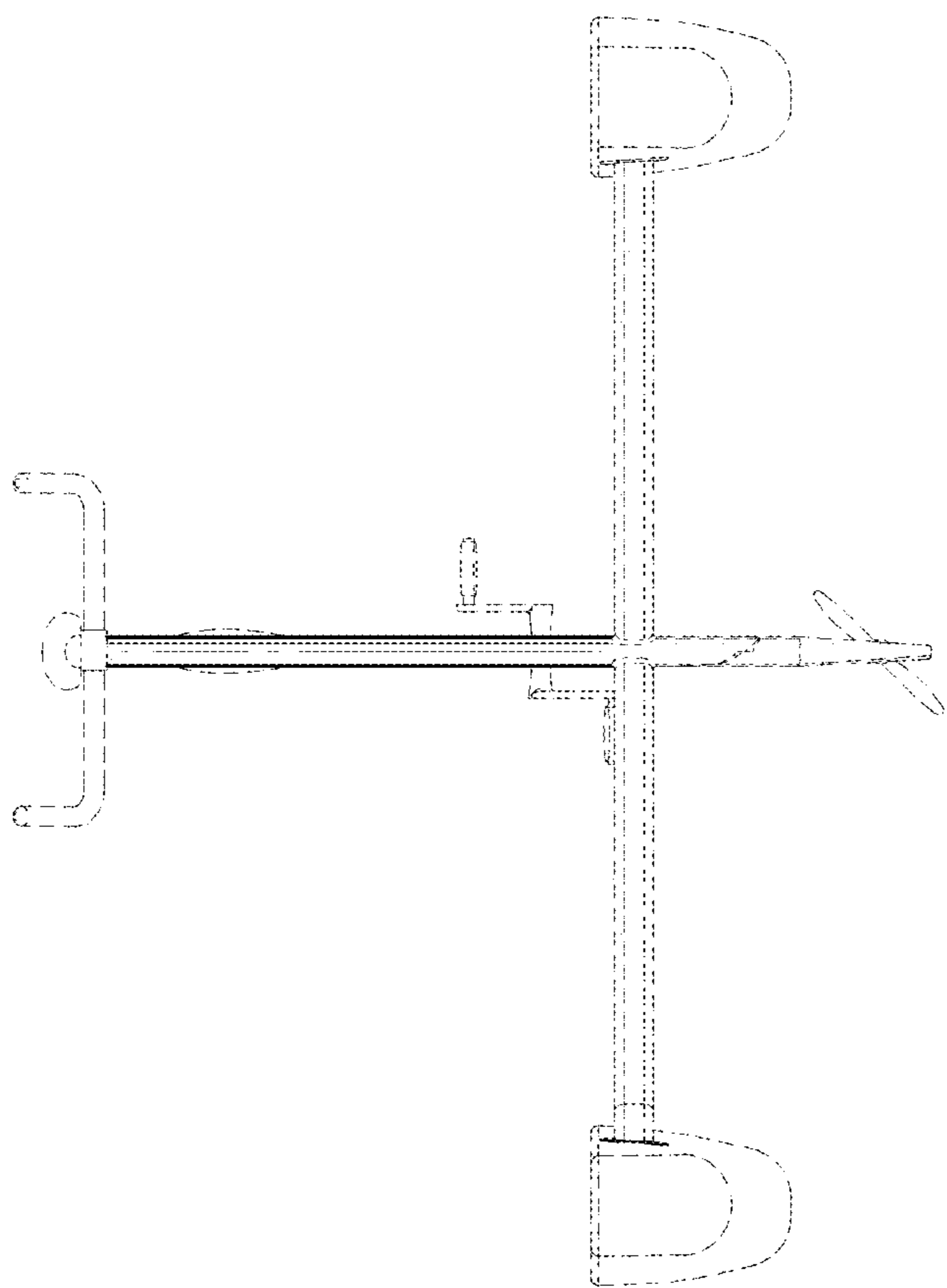


FIG. 6

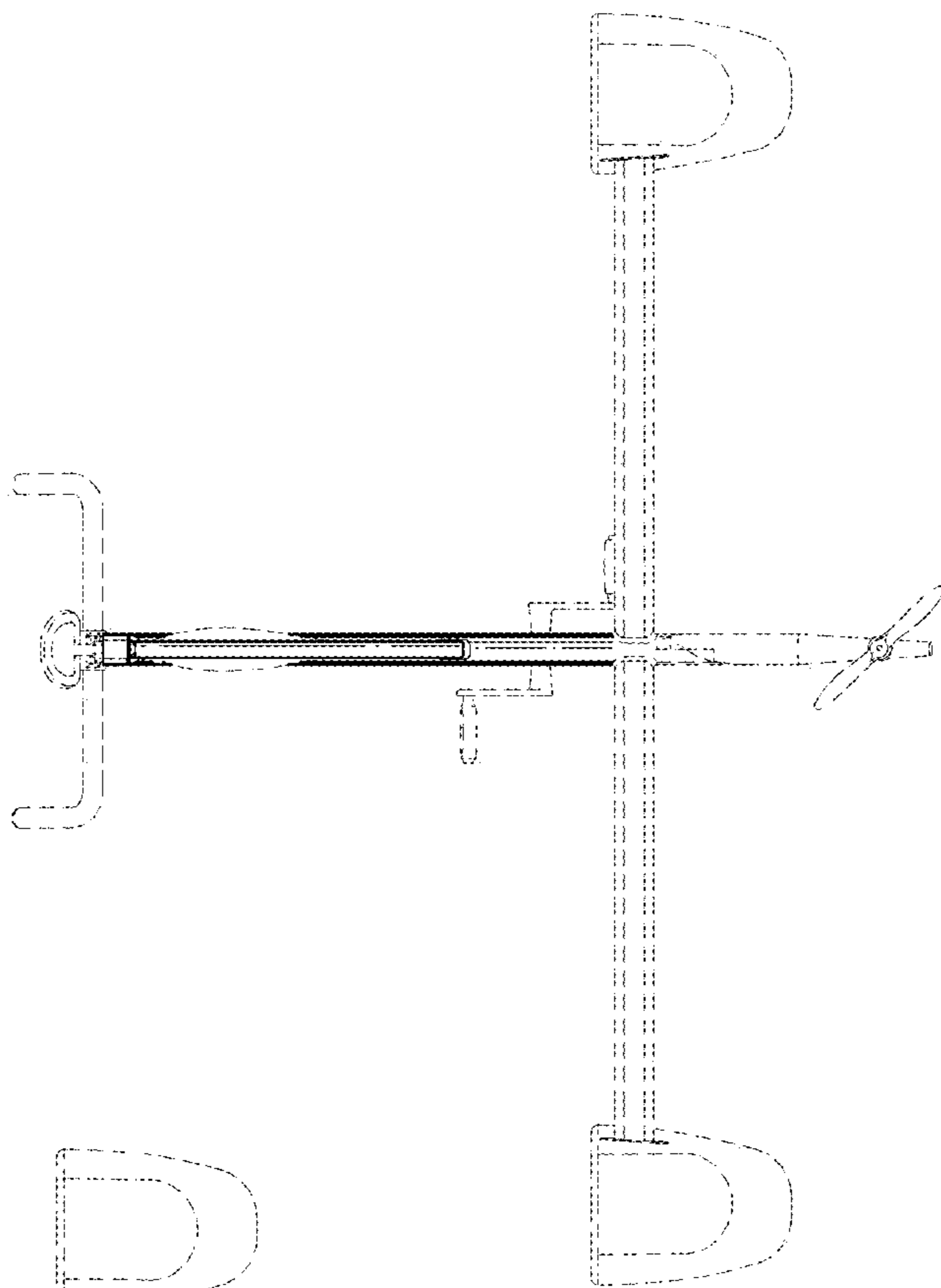


FIG. 7