



US00D727238S

(12) **United States Design Patent**  
**Lepper et al.**

(10) **Patent No.:** **US D727,238 S**  
(45) **Date of Patent:** **\*\* Apr. 21, 2015**

(54) **COVER USED FOR WINDSHIELD WIPER CONNECTORS**

(71) Applicant: **Illinois Tool Works Inc.**, Glenview, IL (US)

(72) Inventors: **Mark Lepper**, Oak Park, IL (US);  
**Kenneth Teal**, Houston, TX (US);  
**Liliana Minevski**, The Woodlands, TX (US)

(73) Assignee: **Illinois Tool Works Inc.**, Glenview, IL (US)

(\*\*) Term: **14 Years**

(21) Appl. No.: **29/476,553**

(22) Filed: **Dec. 13, 2013**

(51) **LOC (10) Cl.** ..... **12-06**

(52) **U.S. Cl.**  
USPC ..... **D12/220**

(58) **Field of Classification Search**  
USPC ..... D12/220, 219; 15/246, 247, 250.001, 15/250.4, 250.361, 250.19, 250.48, 15/250.03, 250.31–250.33, 250.201, 15/250.451, 250.458, 250.04, 250.07, 15/250.44

See application file for complete search history.

(56) **References Cited**

**U.S. PATENT DOCUMENTS**

3,588,941 A	6/1971	Schlesinger
3,641,614 A	2/1972	Newsome
3,757,377 A	9/1973	Hayhurst
4,023,232 A	5/1977	Smithers
4,057,869 A	11/1977	Longman et al.
4,290,164 A	9/1981	van den Berg
4,321,725 A	3/1982	Journee
4,450,602 A	5/1984	Maiocco
5,084,933 A	2/1992	Buechele
5,289,608 A	3/1994	Kim
5,392,487 A	2/1995	Yang

5,920,950 A	7/1999	Young, III et al.
5,970,569 A	10/1999	Merkel et al.
6,055,697 A	5/2000	Wollenschlaeger
6,192,546 B1	2/2001	Kotlarski
6,202,251 B1	3/2001	Kotlarski
6,209,166 B1	4/2001	Westermann et al.
6,263,538 B1	7/2001	Westermann et al.
6,301,741 B1	10/2001	Westermann et al.
D478,308 S *	8/2003	Lee ..... D12/220

(Continued)

**FOREIGN PATENT DOCUMENTS**

DE	20 2012 100 430 U1	5/2012
EP	1 347 895 B1	8/2005

(Continued)

**OTHER PUBLICATIONS**

U.S. Appl. No. 13/836,333, filed Mar. 15, 2013, Piotrowski et al.

(Continued)

*Primary Examiner* — Katrina A Betton

(74) *Attorney, Agent, or Firm* — Brinks Gilson & Lione

(57) **CLAIM**

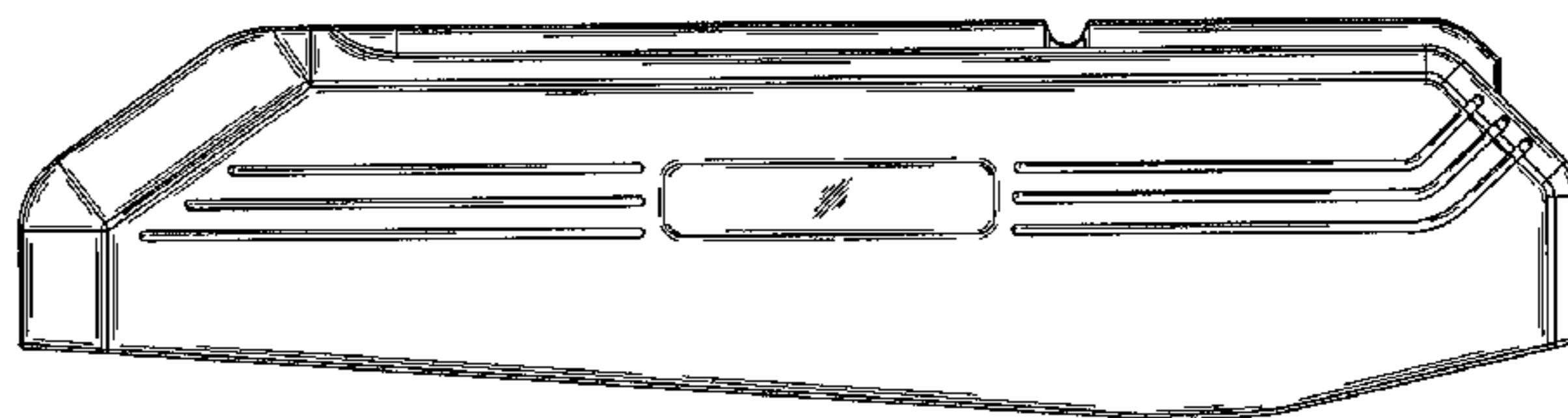
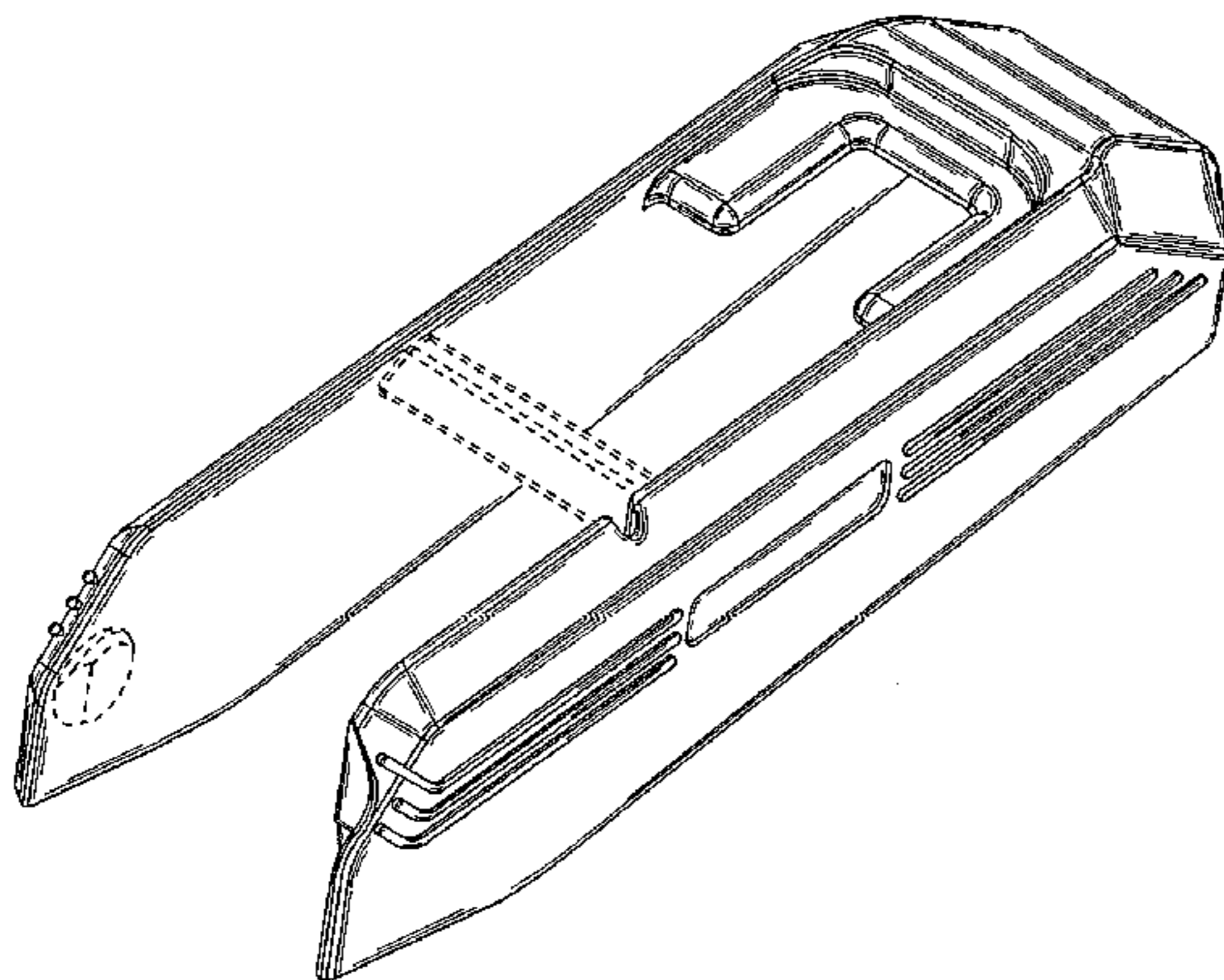
We claim the ornamental design for a cover used for windshield wiper connectors, as shown and described.

**DESCRIPTION**

FIG. 1 is a top left side perspective view of a cover used for windshield wiper connectors showing our new design; FIG. 2 is a right elevation view thereof; FIG. 3 is a left elevation view thereof; FIG. 4 is a front elevation view thereof; FIG. 5 is a back elevation view thereof; FIG. 6 is a top plan view thereof; and, FIG. 7 is a bottom plan view thereof.

The ornamental design which is claimed is shown in solid lines in the drawings. The broken lines showing of portions of the article forms no part of the claimed design.

**1 Claim, 7 Drawing Sheets**



(56)

References Cited

U.S. PATENT DOCUMENTS

6,675,432 B1 1/2004 De Block  
 6,687,948 B2 2/2004 Kotlarski  
 6,779,223 B1 8/2004 Roekens  
 7,028,368 B2 4/2006 Lee et al.  
 7,055,207 B2 6/2006 Coughlin  
 7,159,267 B2 1/2007 Son  
 7,287,296 B2 10/2007 Vacher  
 7,305,734 B2 12/2007 Boland et al.  
 7,341,396 B2 3/2008 Huang  
 7,350,259 B2 4/2008 Walworth et al.  
 7,421,755 B2 9/2008 Kinoshita et al.  
 7,434,291 B2 10/2008 Chiang  
 D586,717 S \* 2/2009 Depondt ..... D12/220  
 7,506,401 B2 3/2009 Park  
 D597,465 S \* 8/2009 Grasso et al. .... D12/220  
 D597,468 S \* 8/2009 Grasso et al. .... D12/220  
 7,581,279 B2 9/2009 Baseotto et al.  
 7,587,782 B2 9/2009 Inoue  
 7,607,194 B2 10/2009 Weber et al.  
 7,621,016 B2 11/2009 Verelst et al.  
 7,634,833 B2 12/2009 Boland et al.  
 7,669,276 B2 3/2010 Verelst et al.  
 7,669,277 B2 3/2010 Inoue  
 7,716,780 B2 5/2010 Scholl et al.  
 7,823,247 B2 11/2010 Poton  
 7,827,652 B2 11/2010 Yang et al.  
 7,886,401 B2 2/2011 Weber et al.  
 7,891,044 B2 2/2011 Fink et al.  
 7,908,703 B2 3/2011 Van Bealen  
 7,937,798 B2 5/2011 Fink et al.  
 7,950,101 B2 5/2011 Kim  
 7,979,950 B2 7/2011 Boland  
 8,069,528 B2 12/2011 Verelst et al.  
 8,191,201 B2 6/2012 De Block et al.  
 8,220,106 B2 7/2012 Fink et al.  
 8,230,547 B2 7/2012 Wilms et al.  
 D665,715 S \* 8/2012 Houssat et al. .... D12/220  
 8,261,403 B2 9/2012 Ehde  
 8,286,298 B2 10/2012 Kim  
 8,332,989 B2 12/2012 Vacher  
 8,370,986 B2 2/2013 Wilms et al.  
 8,397,341 B2 3/2013 Ehde  
 8,479,349 B2 7/2013 Boland et al.  
 8,479,350 B2 7/2013 Kim et al.  
 8,484,794 B2 7/2013 Westermann et al.  
 8,490,239 B2 7/2013 Ehde  
 8,505,151 B2 8/2013 Depondt et al.  
 8,505,152 B2 8/2013 Boland  
 8,544,137 B2 10/2013 Thienard  
 8,549,696 B2 10/2013 Boland et al.  
 8,555,456 B2 10/2013 Ehde  
 D692,819 S \* 11/2013 Tolentino et al. .... D12/220  
 8,595,889 B2 12/2013 Op't Roodt et al.  
 8,615,841 B2 12/2013 Kim et al.  
 D702,618 S \* 4/2014 Avasiloaie et al. .... D12/220  
 D702,619 S \* 4/2014 Kim ..... D12/220  
 8,719,994 B2 5/2014 Thienard et al.  
 2002/0192017 A1 12/2002 Rosenstein et al.  
 2004/0123414 A1 7/2004 Lee  
 2007/0226940 A1 10/2007 Thienard  
 2008/0058195 A1 3/2008 Chiang  
 2009/0307862 A1 12/2009 Boland  
 2010/0024149 A1 2/2010 Erdal  
 2010/0050361 A1 3/2010 Chang et al.  
 2010/0146727 A1 6/2010 Coemans et al.  
 2010/0186185 A1 7/2010 Grasso et al.  
 2010/0205763 A1 8/2010 Ku  
 2011/0005020 A1 1/2011 Koppen et al.  
 2011/0056042 A1 3/2011 Fink et al.  
 2011/0247166 A1 10/2011 Depondt et al.

2012/0047673 A1 3/2012 Depondt  
 2012/0060315 A1 3/2012 Avasiloaie et al.  
 2012/0060316 A1 3/2012 Avasiloaie et al.  
 2012/0110772 A1 5/2012 Boland  
 2012/0110773 A1 5/2012 Thielen et al.  
 2012/0144615 A1 6/2012 Song et al.  
 2012/0180244 A1 7/2012 Kim et al.  
 2012/0227206 A1 9/2012 Depondt  
 2012/0233801 A1 9/2012 Coart et al.  
 2012/0233802 A1 9/2012 Depondt  
 2012/0260450 A1 10/2012 Fink et al.  
 2012/0279008 A1 11/2012 Depondt  
 2013/0007977 A1 1/2013 Depondt  
 2013/0104334 A1 5/2013 Depondt  
 2013/0117956 A1 5/2013 Chien  
 2013/0125331 A1 5/2013 Genet  
 2013/0152323 A1 6/2013 Chien  
 2013/0152330 A1 6/2013 Kim et al.  
 2013/0167317 A1 7/2013 Oslizlo et al.  
 2013/0180072 A1 7/2013 Boland  
 2013/0255026 A1 10/2013 Depondt  
 2013/0305476 A1 11/2013 Smets et al.  
 2013/0312209 A1 11/2013 Genet  
 2013/0333145 A1 12/2013 Depondt  
 2013/0340194 A1 12/2013 Depondt  
 2013/0343811 A1 12/2013 Depondt  
 2014/0123426 A1 5/2014 Lee

FOREIGN PATENT DOCUMENTS

EP 1 403 156 B1 12/2008  
 FR 2 865 699 B1 9/2007  
 FR 2 890 925 B1 12/2009  
 FR 2 896 746 B1 1/2010  
 FR 2 926 514 B1 6/2010  
 GB 2 332 140 A 6/1999  
 JP 4215651 B2 1/2009  
 JP 4260745 B2 4/2009  
 JP 4870353 B2 2/2012  
 JP 4972089 B2 7/2012  
 JP 5189476 B2 4/2013  
 JP 5335133 B2 11/2013  
 JP 5352055 B2 11/2013  
 JP 5377772 B2 12/2013  
 KR 2001-0058909 A 7/2001  
 KR 10-824034 B1 4/2008  
 KR 10-2009-085357 A 8/2009  
 KR 10-2009-100975 A 9/2009  
 KR 10-0932745 B1 12/2009  
 KR 10-2010-023942 A 3/2010  
 KR 10-959035 B1 5/2010  
 KR 10-0961622 B1 6/2010  
 KR 20-2010-005707 U 6/2010  
 KR 10-2011-000855 A 1/2011  
 KR 10-1027384 B1 3/2011  
 KR 10-2011-036182 A 4/2011  
 KR 10-2011-0116521 A 10/2011  
 KR 102012-029616 A 3/2012  
 KR 10-1158370 B1 6/2012  
 KR 10-1189722 B1 10/2012  
 KR 10-1198352 B1 11/2012  
 KR 10-1285317 B1 7/2013  
 WO WO 2005/082692 A1 9/2005  
 WO WO 2011/032760 A1 3/2011  
 WO WO 2013/019645 A1 2/2013  
 WO WO 2013/019723 A1 2/2013  
 WO WO 2013/176352 A1 11/2013

OTHER PUBLICATIONS

U.S. Appl. No. 13/836,529, filed Mar. 15, 2013, Fournier et al.  
 U.S. Appl. No. 13/836,537, filed Mar. 15, 2013, Fournier et al.

\* cited by examiner

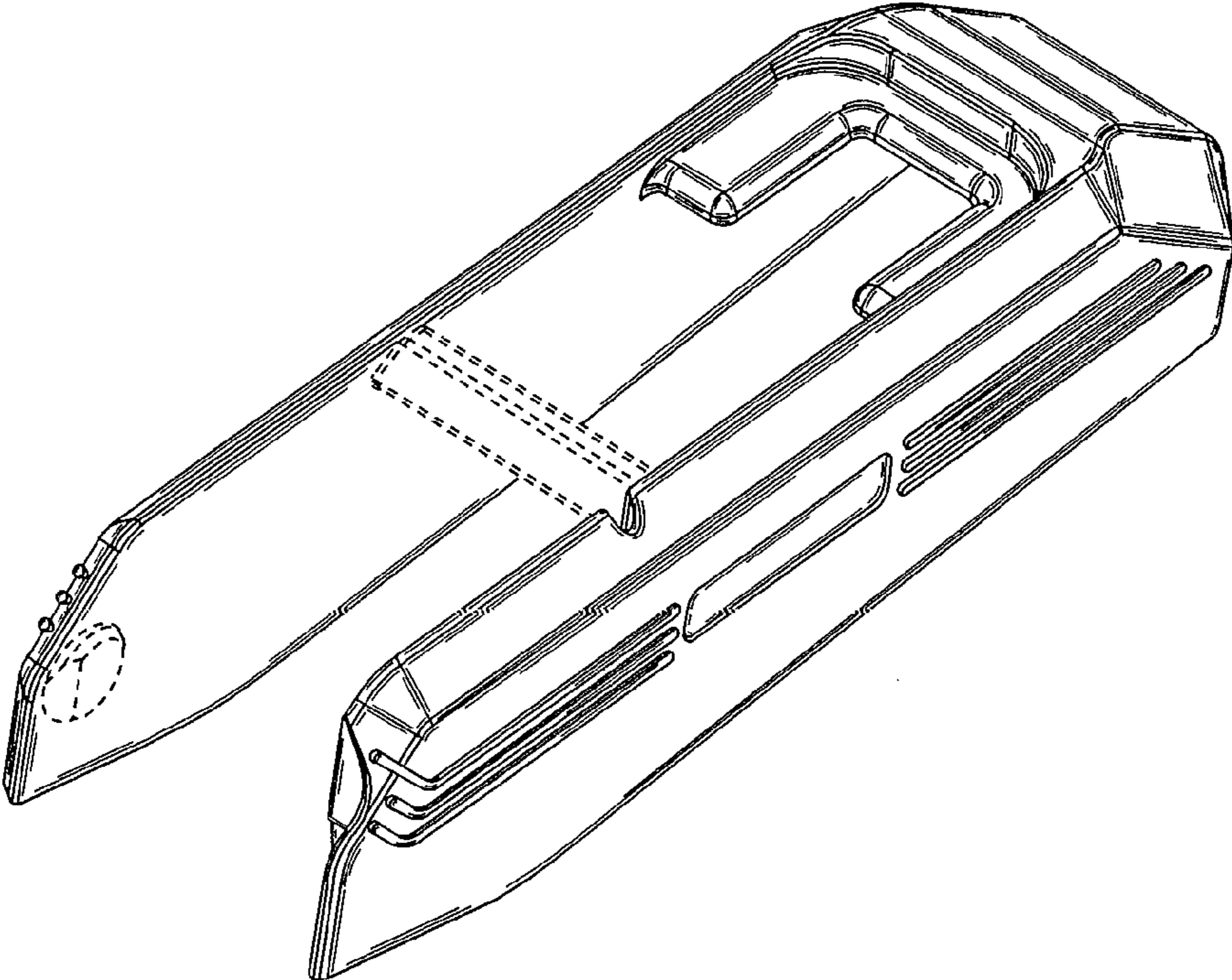


FIG. 1

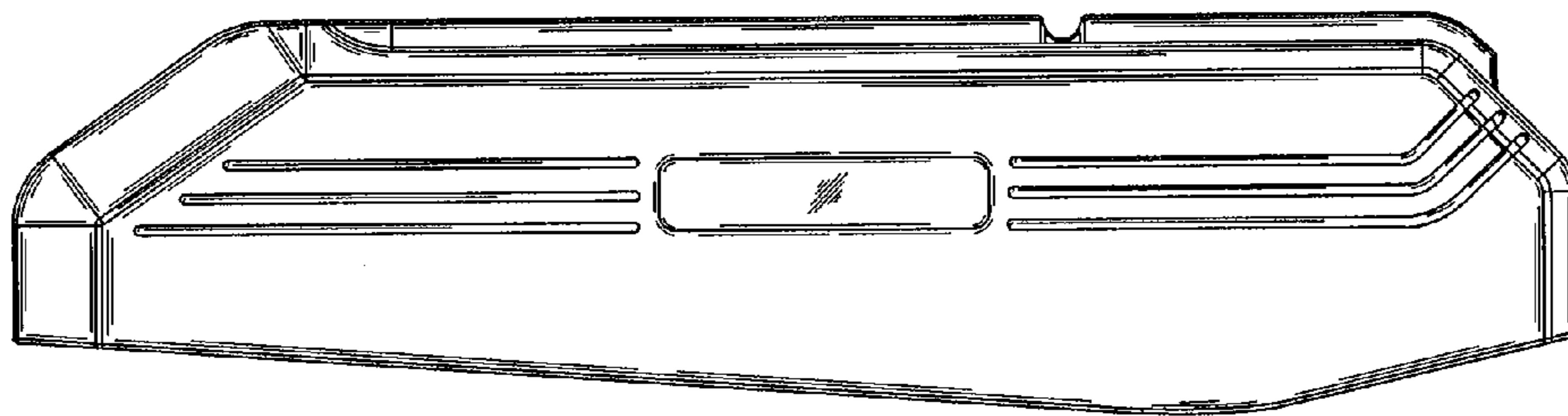


FIG. 2

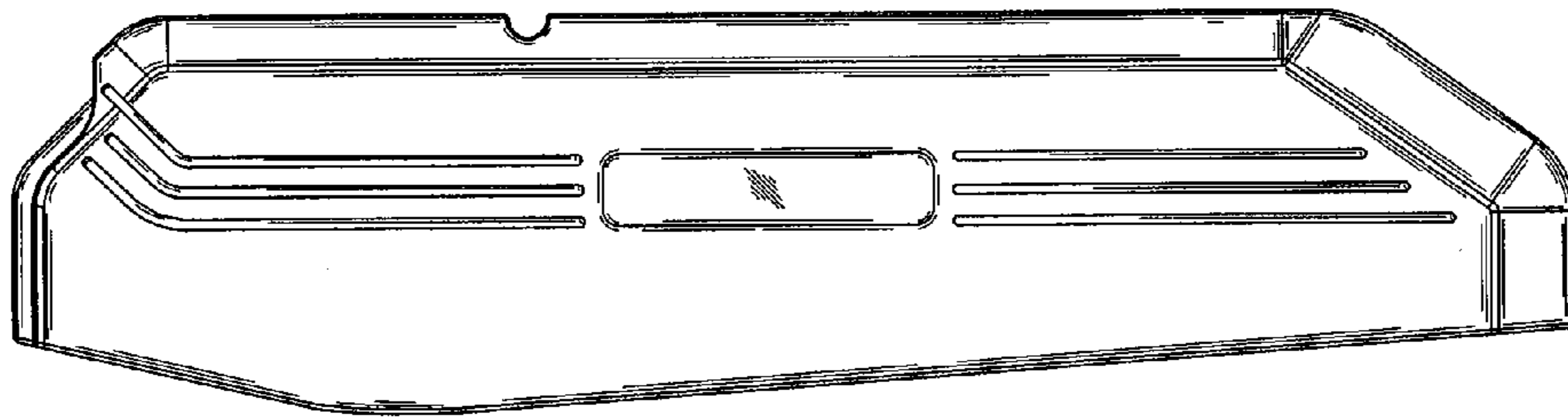


FIG. 3

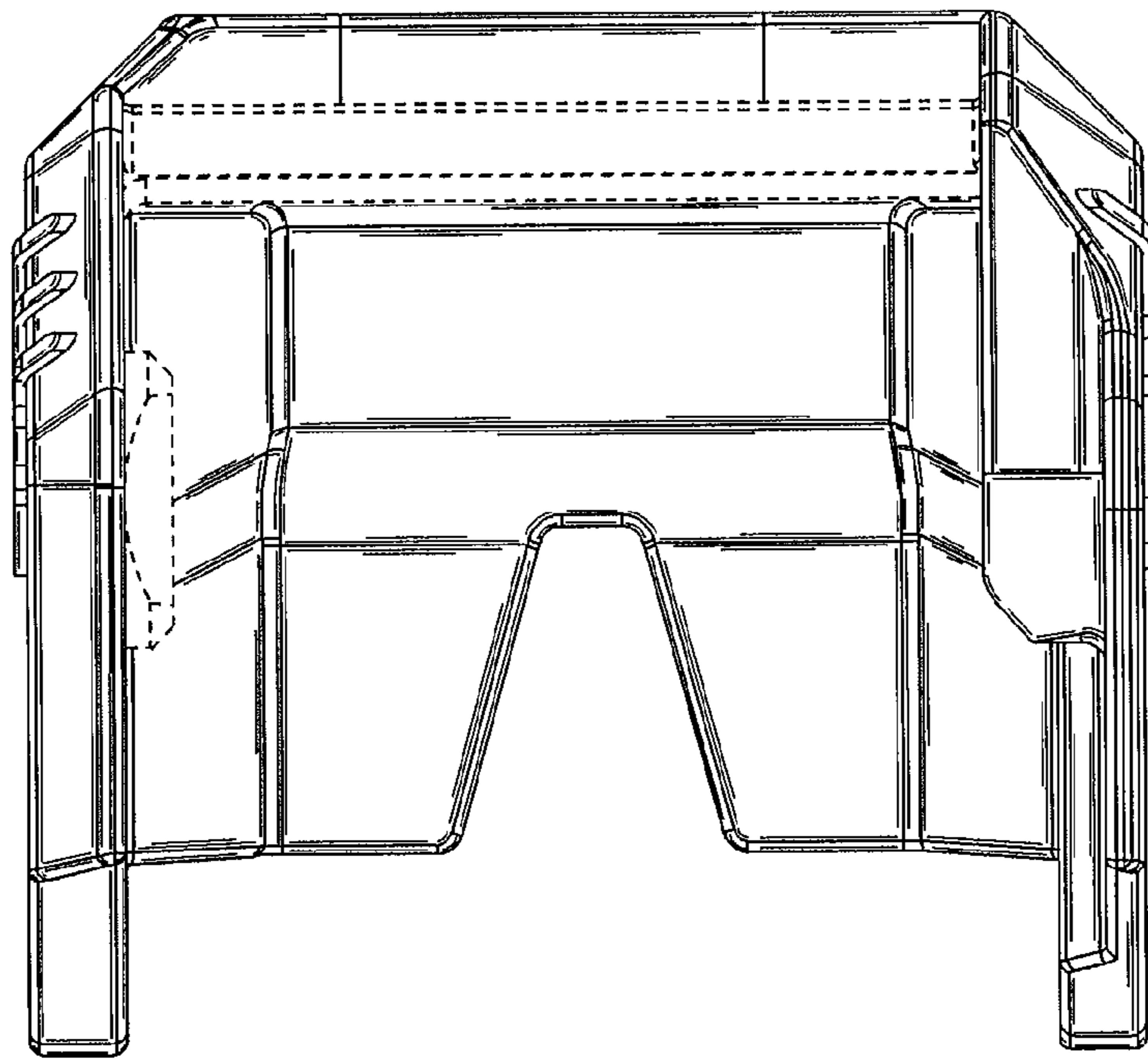


FIG. 4

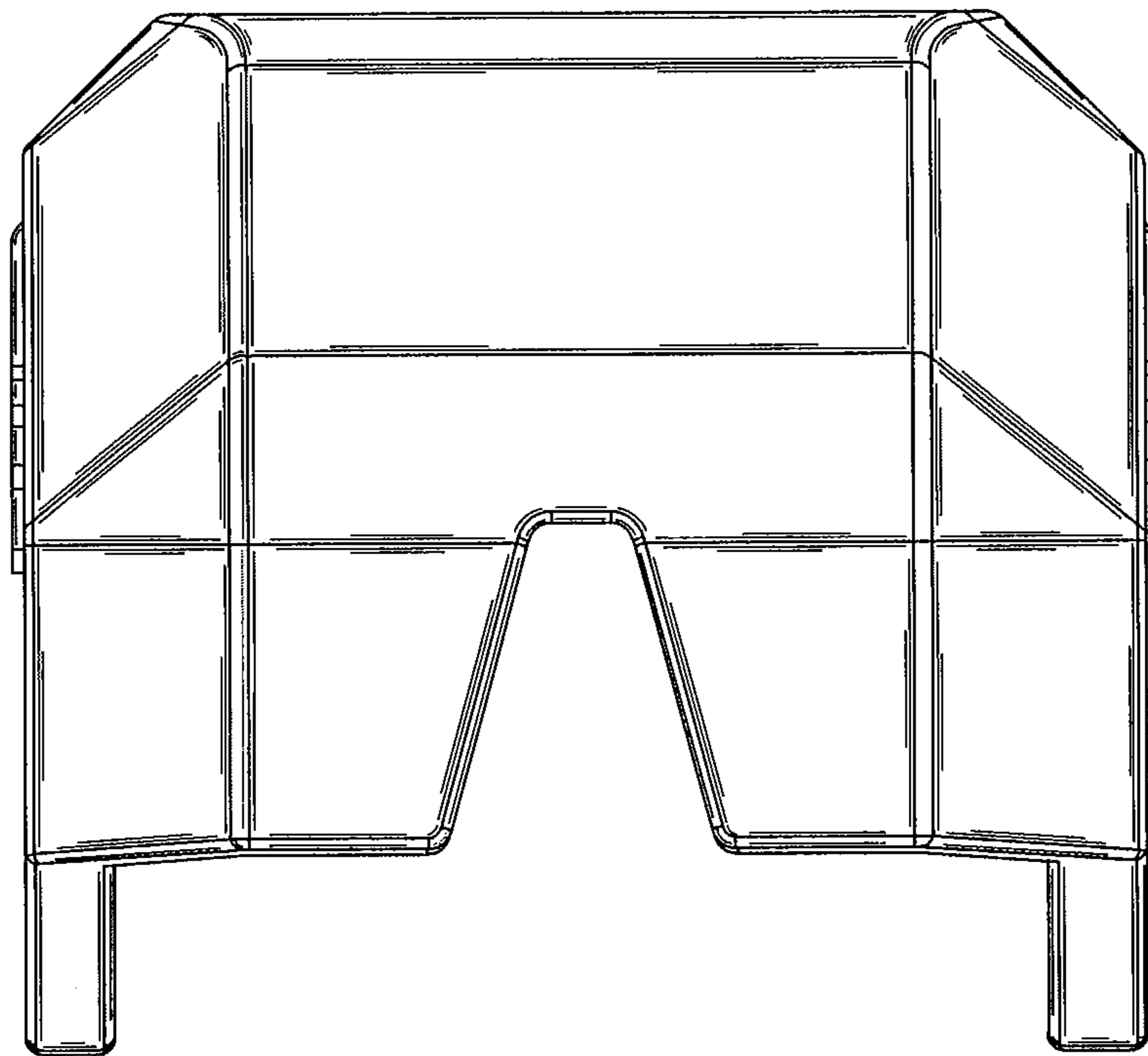


FIG. 5

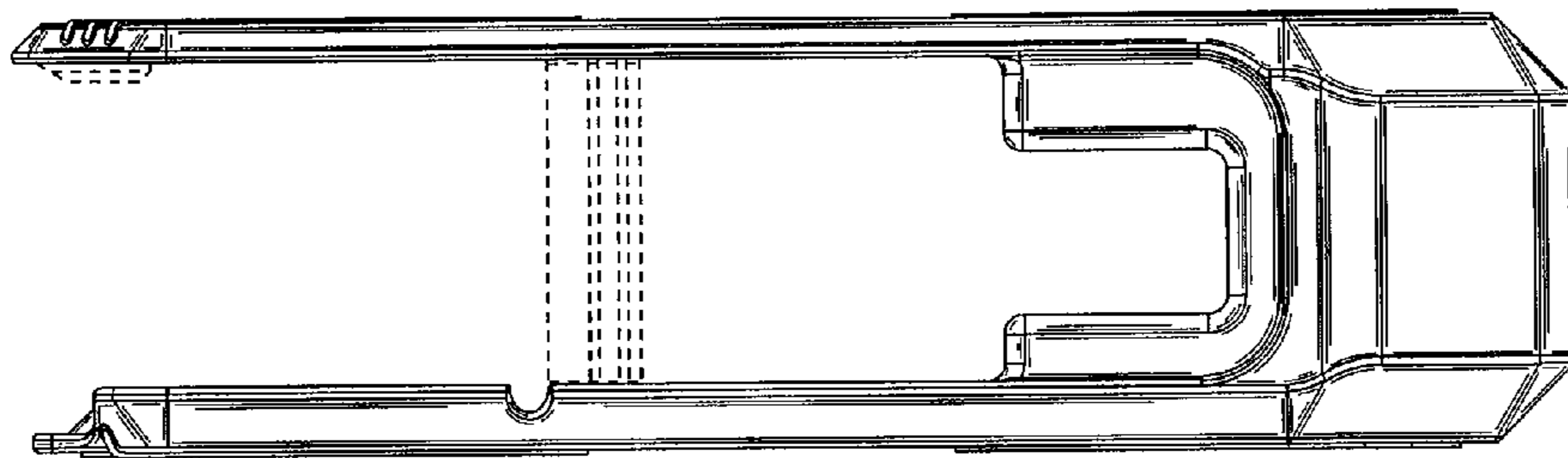


FIG. 6



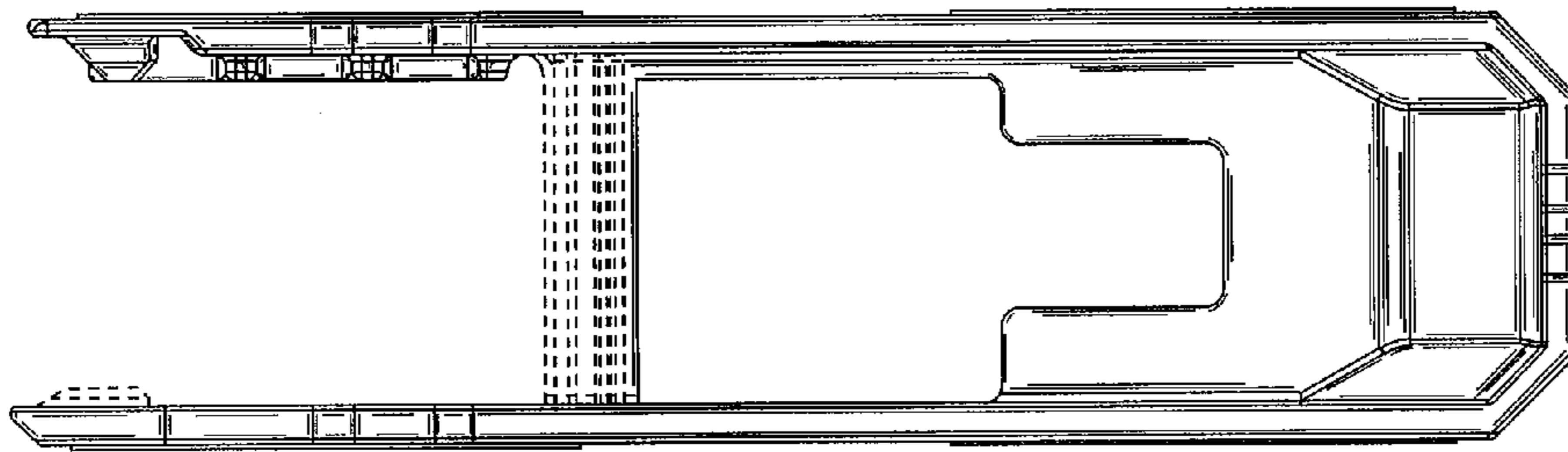


FIG. 7