



US00D727231S

(12) **United States Design Patent**
Narita et al.

(10) **Patent No.:** **US D727,231 S**
(45) **Date of Patent:** **** Apr. 21, 2015**

(54) **INSTRUMENT PANEL FOR AN
AUTOMOBILE**

FOREIGN PATENT DOCUMENTS

AU 347172 S 2/2013

(71) Applicants: **Atsushi Narita**, Okazaki (JP); **Yasuhisa Hamano**, Miyoshi (JP)

OTHER PUBLICATIONS

(72) Inventors: **Atsushi Narita**, Okazaki (JP); **Yasuhisa Hamano**, Miyoshi (JP)

Lexus, Lexus LFA (2011), netcarshow.com, <<http://www.netcarshow.com/lexus/2011-lfa/>> at <http://www.netcarshow.com/lexus/2011-lfa/800x600/wallpaper_38.htm>, available at least as early as May 27, 2013.

(73) Assignee: **Toyota Jidosha Kabushiki Kaisha** (JP)

Lexus, Lexus HS 250h (2010), netcarshow.com, <http://www.netcarshow.com/lexus/2010-hs_250h/> at <http://www.netcarshow.com/lexus/2010-hs_250h/800x600/wallpaper_42.htm>, available at least as early as May 27, 2013.

(**) Term: **14 Years**

(21) Appl. No.: **29/482,966**

* cited by examiner

(22) Filed: **Feb. 24, 2014**

Primary Examiner — Katrina A Betton

(30) **Foreign Application Priority Data**

(74) *Attorney, Agent, or Firm* — Saidman DesignLaw Group, LLC

Sep. 2, 2013 (JP) 2013-020195

(51) **LOC (10) Cl.** **12-16**

(52) **U.S. Cl.**
USPC **D12/192**

(58) **Field of Classification Search**
USPC D12/192, 415, 110, 114; D10/46, 98,
D10/102-103, 122-127; D15/17, 28;
296/190.01-190.09, 191, 70;
280/750-752; 180/90

See application file for complete search history.

(57) **CLAIM**

The ornamental design for an instrument panel for an automobile, as shown and described.

(56) **References Cited**

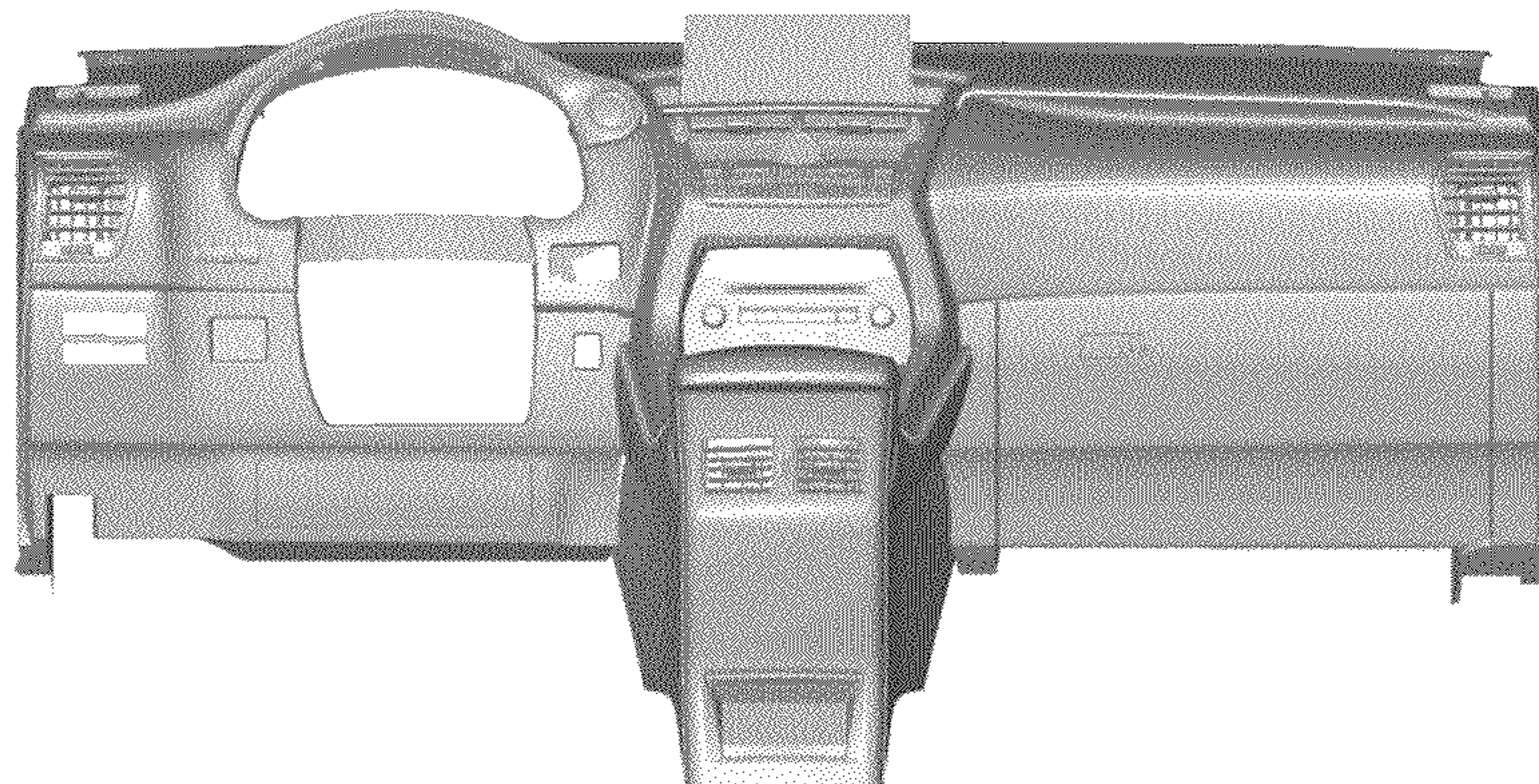
U.S. PATENT DOCUMENTS

D405,408 S *	2/1999	Yoshida et al.	D12/192
D419,936 S *	2/2000	Sacco et al.	D12/192
D577,640 S *	9/2008	Wyszogrod et al.	D12/192
D637,539 S *	5/2011	Welch et al.	D12/192
D641,672 S *	7/2011	Willoughby et al.	D12/192
D641,674 S *	7/2011	Kim et al.	D12/192
D693,753 S *	11/2013	Cheung et al.	D12/192
D704,610 S *	5/2014	Mizuhata et al.	D12/192

DESCRIPTION

FIG. 1 is a perspective view of an instrument panel for an automobile showing our new design;
FIG. 2 is a front view thereof;
FIG. 3 is a rear view thereof;
FIG. 4 is a top view thereof;
FIG. 5 is a bottom view thereof;
FIG. 6 is a right side view thereof; and,
FIG. 7 is a left side view thereof.
The drawings include shadows and reflections which indicate contour, not surface ornamentation.

1 Claim, 4 Drawing Sheets



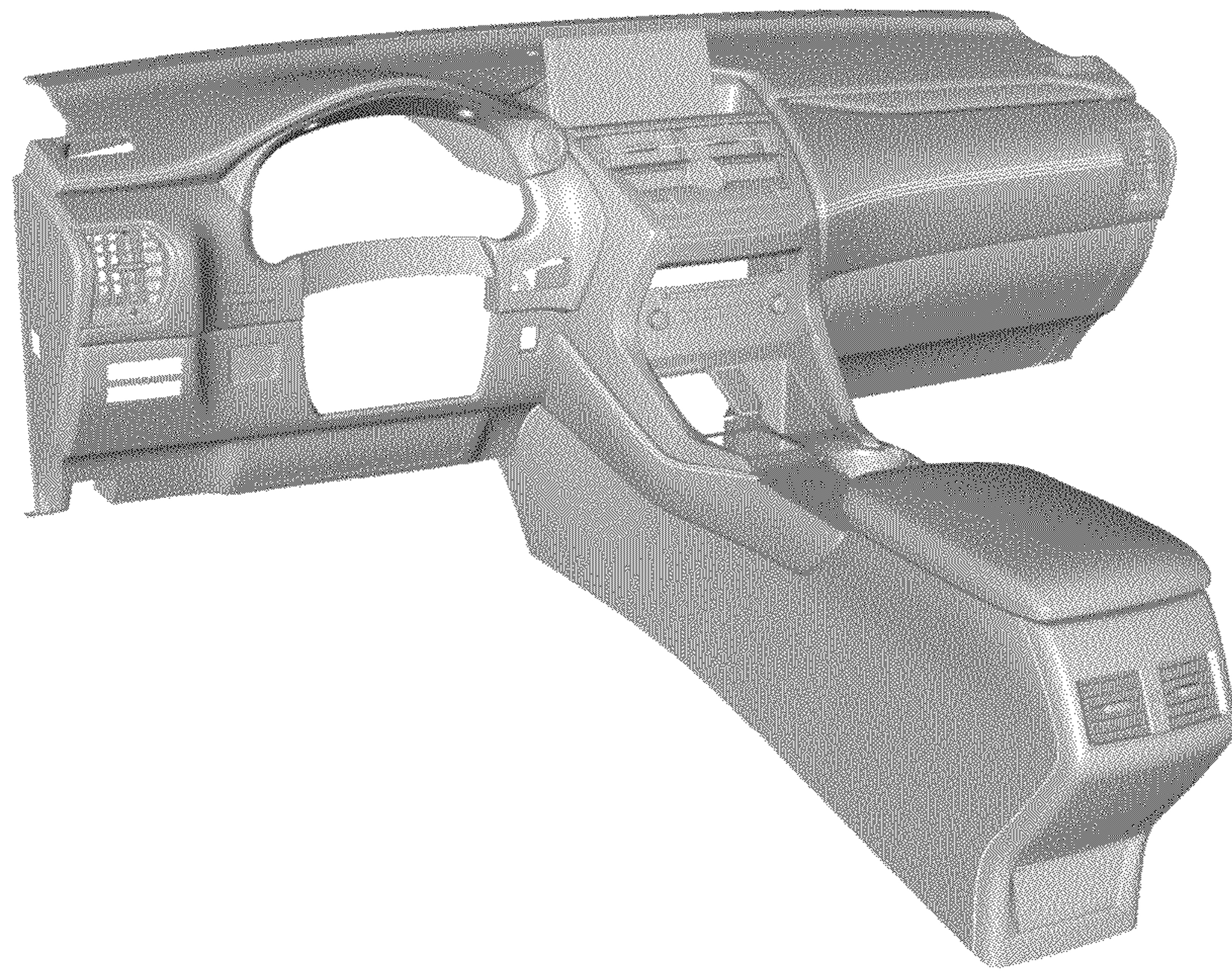


Fig. 1

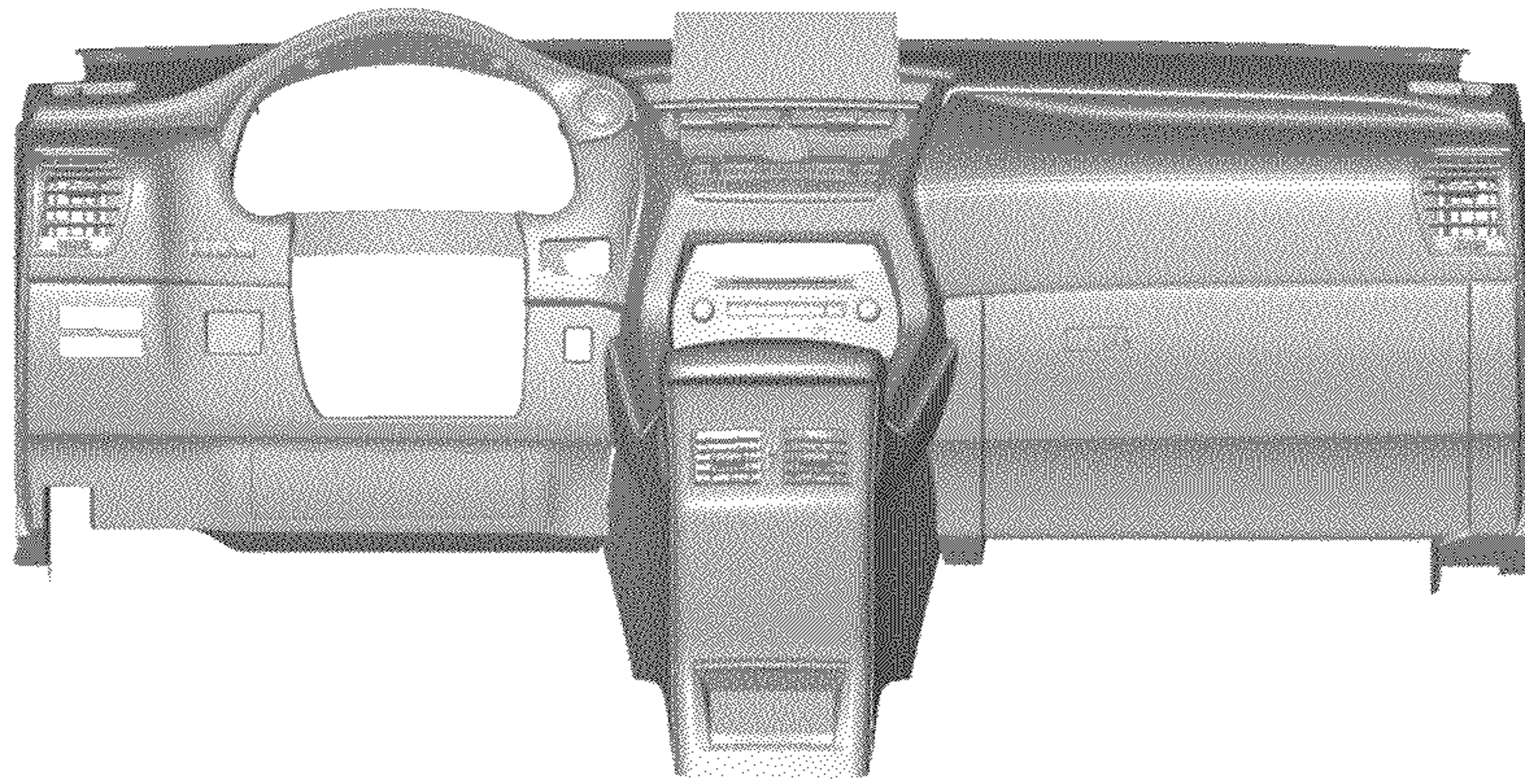


Fig. 2

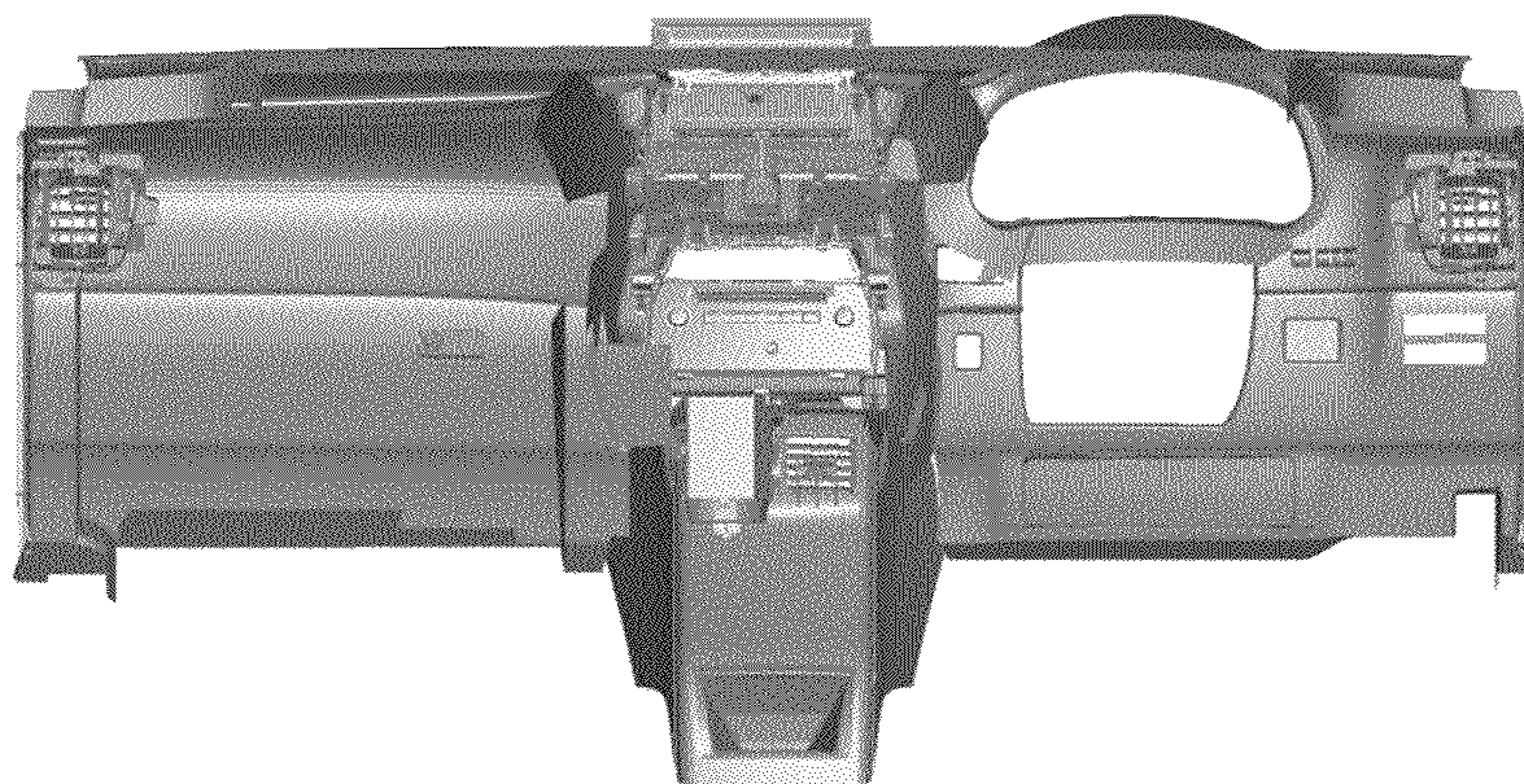


Fig. 3

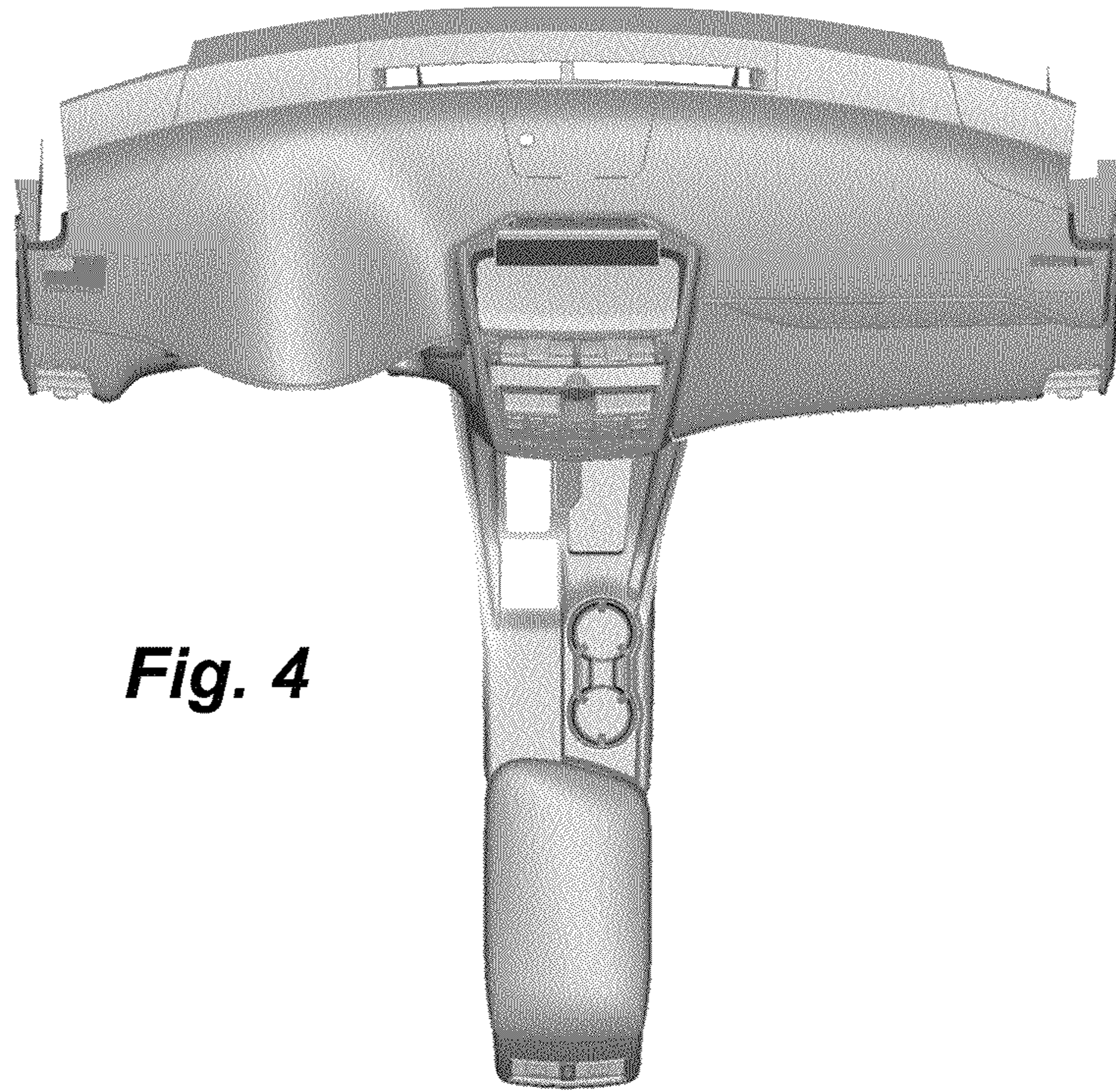


Fig. 4

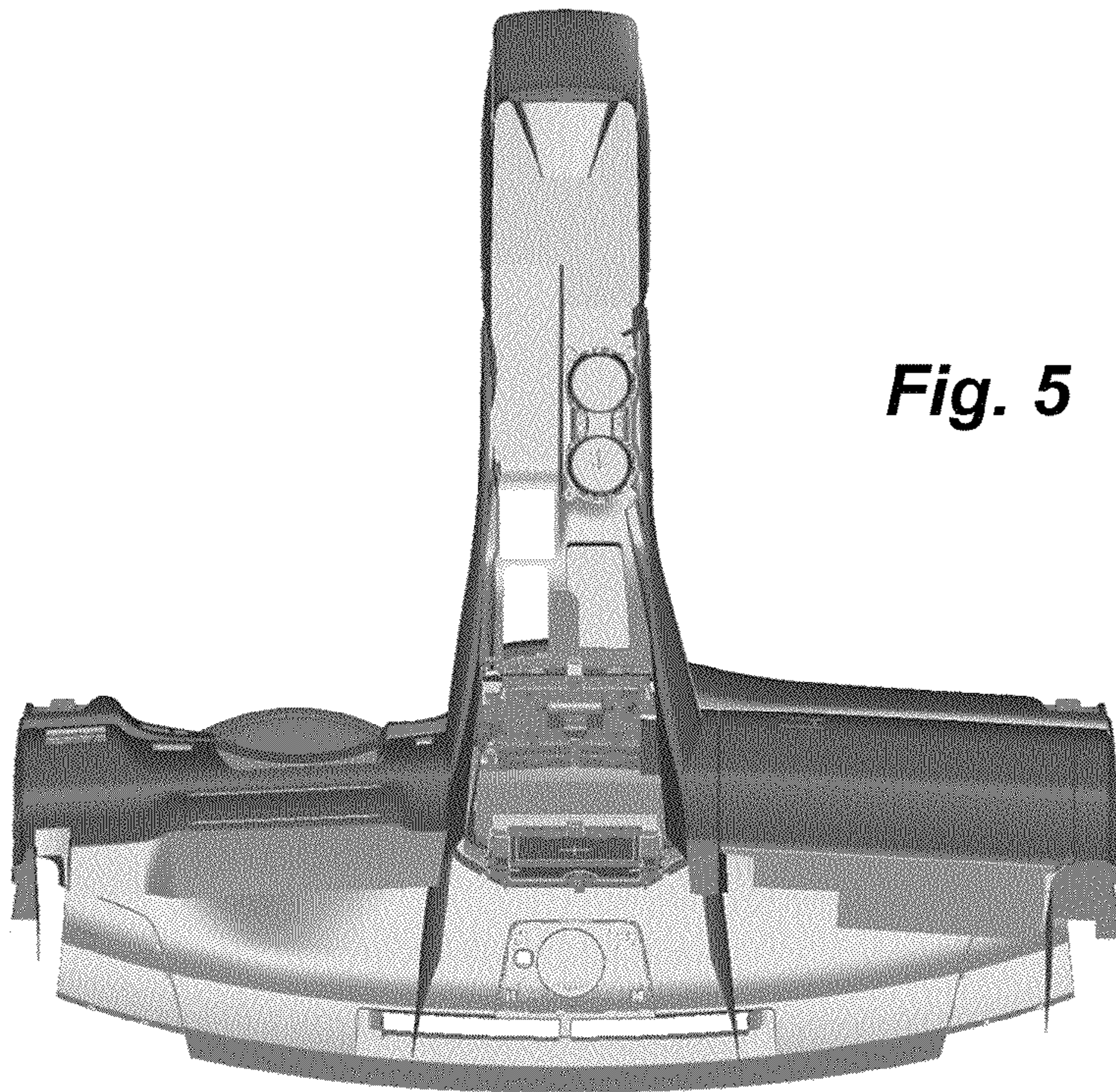


Fig. 5

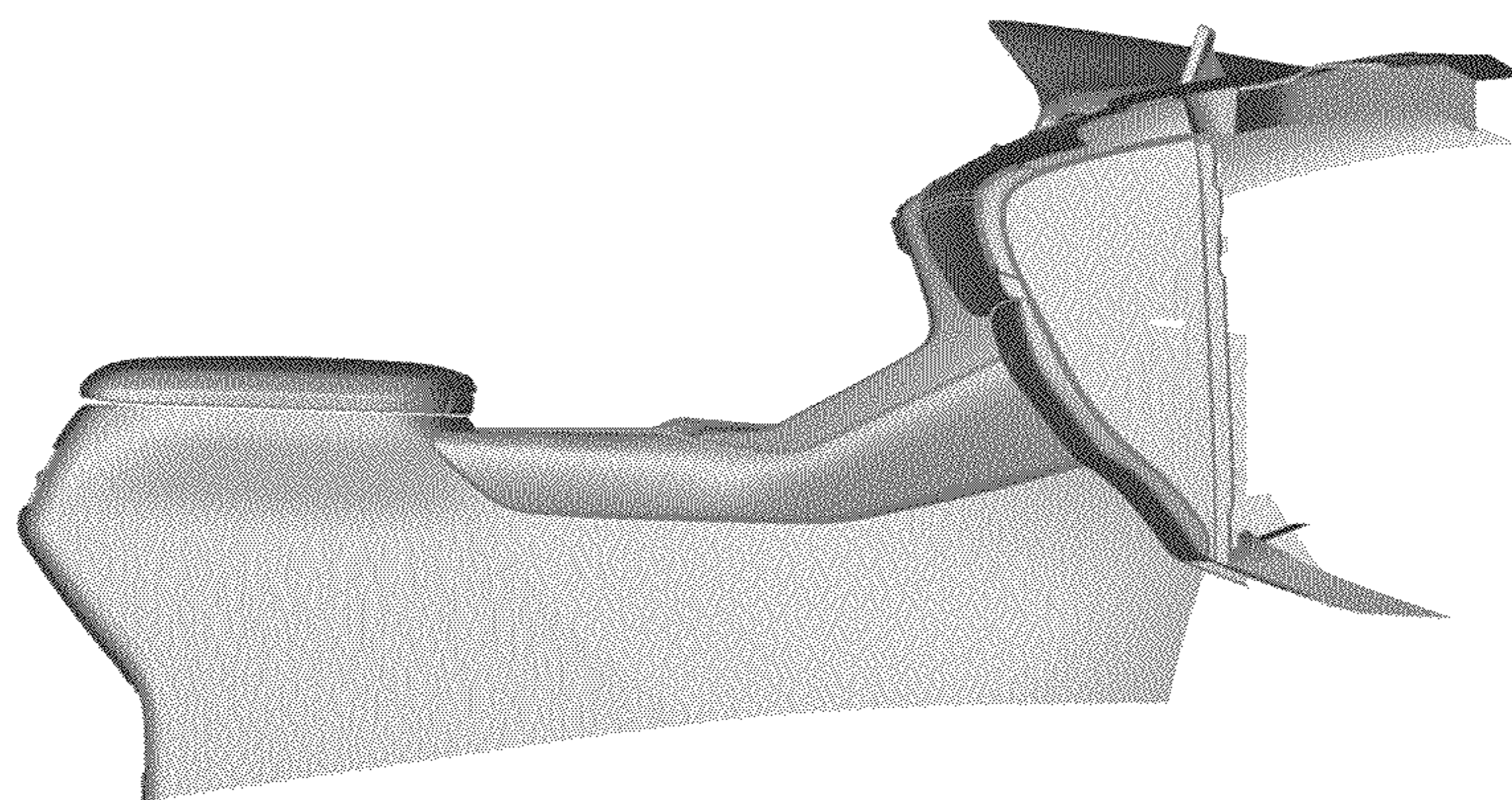


Fig. 6

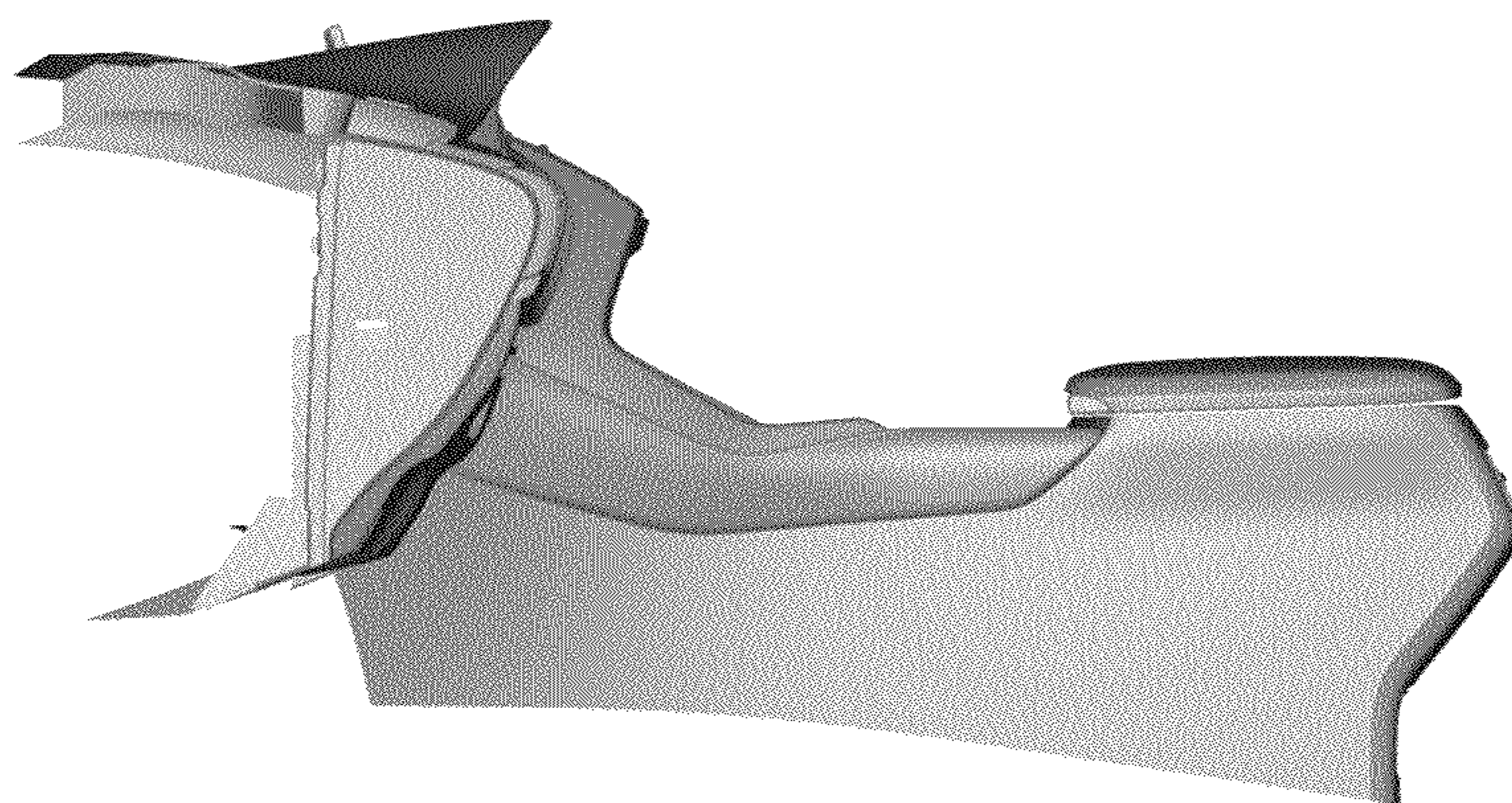


Fig. 7