



US00D727230S

(12) **United States Design Patent**
Kao

(10) **Patent No.:** **US D727,230 S**

(45) **Date of Patent:** **** Apr. 21, 2015**

(54) **SIDE VIEW MIRROR**

(71) Applicant: **Chung-Hsu Kao**, Tainan (TW)

(72) Inventor: **Chung-Hsu Kao**, Tainan (TW)

(**) Term: **14 Years**

(21) Appl. No.: **29/488,205**

(22) Filed: **Apr. 16, 2014**

(51) **LOC (10) Cl.** **12-16**

(52) **U.S. Cl.**
USPC **D12/187**

(58) **Field of Classification Search**
USPC D12/187, 188–189; D6/300, 309;
359/838, 841–844, 868, 871, 866;
248/479–483, 475.1
See application file for complete search history.

(56) **References Cited**

U.S. PATENT DOCUMENTS

D519,071 S * 4/2006 Moruzzi D12/187
D609,151 S * 2/2010 Kouchi et al. D12/187
D623,674 S * 9/2010 Wei et al. D16/101

D636,311 S * 4/2011 Faghihzadeh D12/187
D715,711 S * 10/2014 Blanski et al. D12/187
D716,206 S * 10/2014 Thole et al. D12/187
D716,207 S * 10/2014 Callum et al. D12/187
2006/0250423 A1* 11/2006 Kettle et al. 345/692
2009/0015955 A1* 1/2009 Muller 359/871

* cited by examiner

Primary Examiner — Katrina A Betton

(74) *Attorney, Agent, or Firm* — DLA Piper LLP (US)

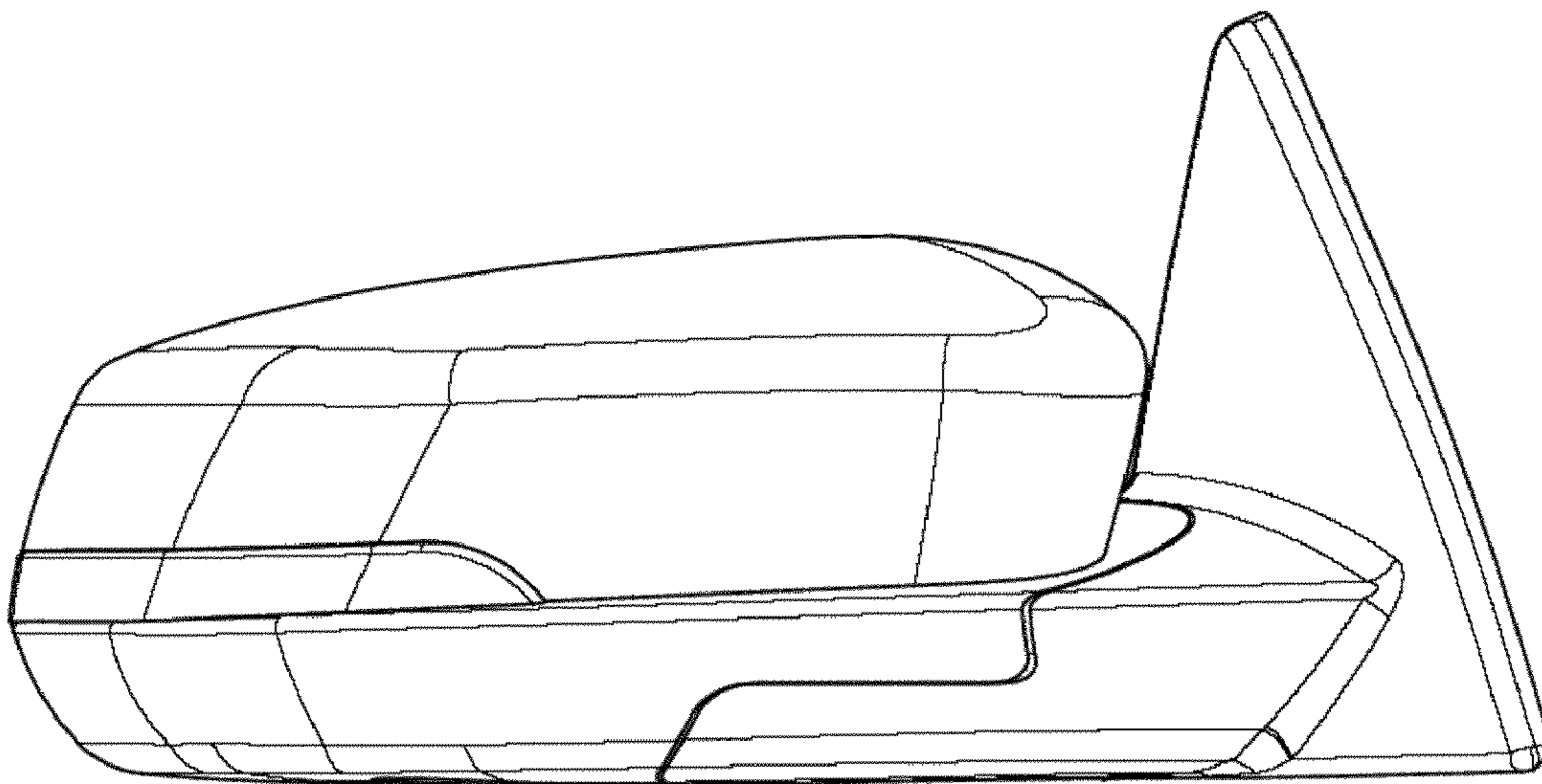
(57) **CLAIM**

The ornamental design for side view mirror, as shown and described.

DESCRIPTION

FIG. 1 is a perspective view of side view mirror showing my new design;
FIG. 2 is a front elevational view thereof;
FIG. 3 is a rear elevational view thereof;
FIG. 4 is a left side elevational view thereof;
FIG. 5 is a right side elevational view thereof;
FIG. 6 is a top plan view thereof; and,
FIG. 7 is a bottom plan view thereof.

1 Claim, 5 Drawing Sheets



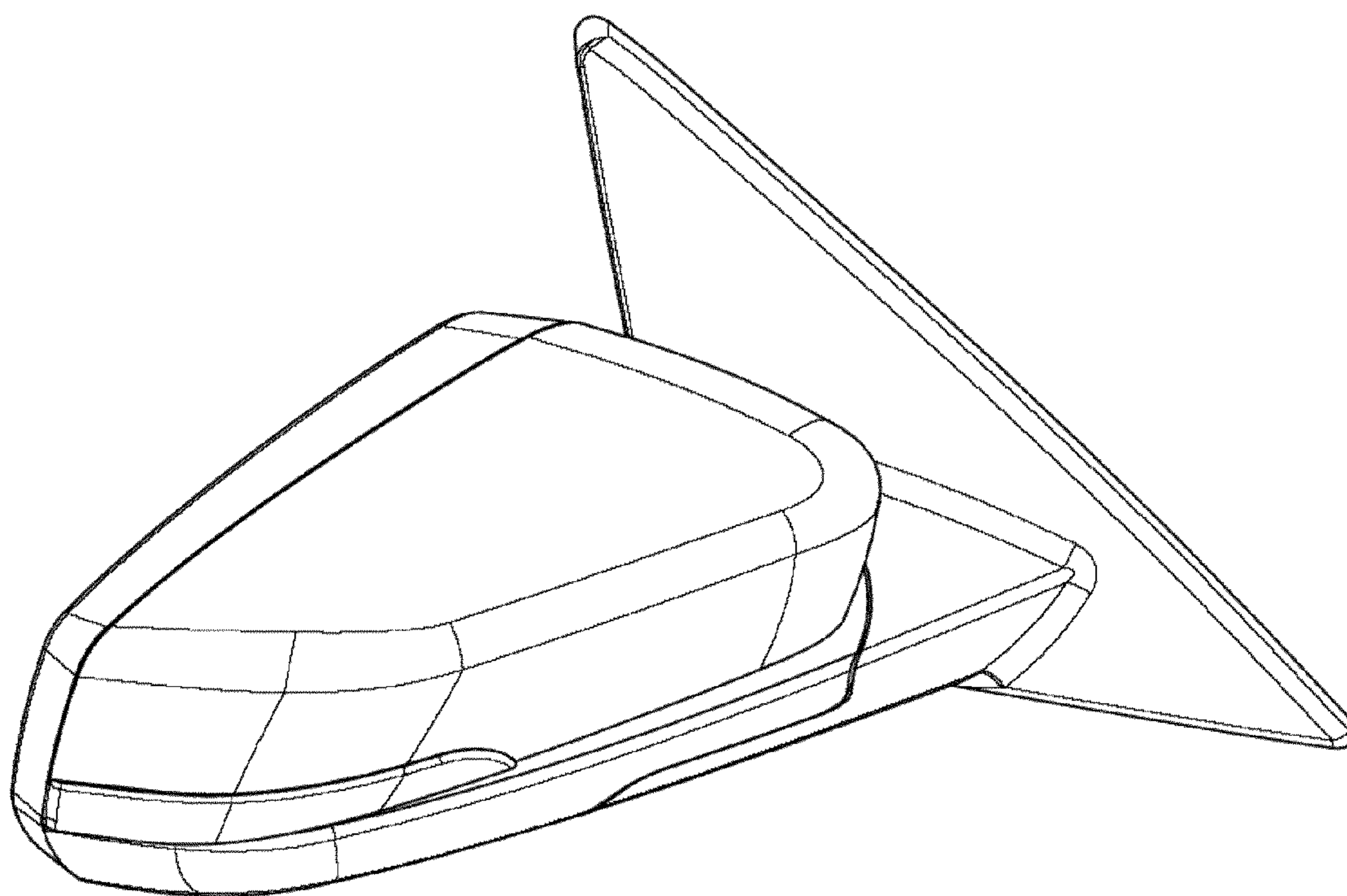


FIG.1

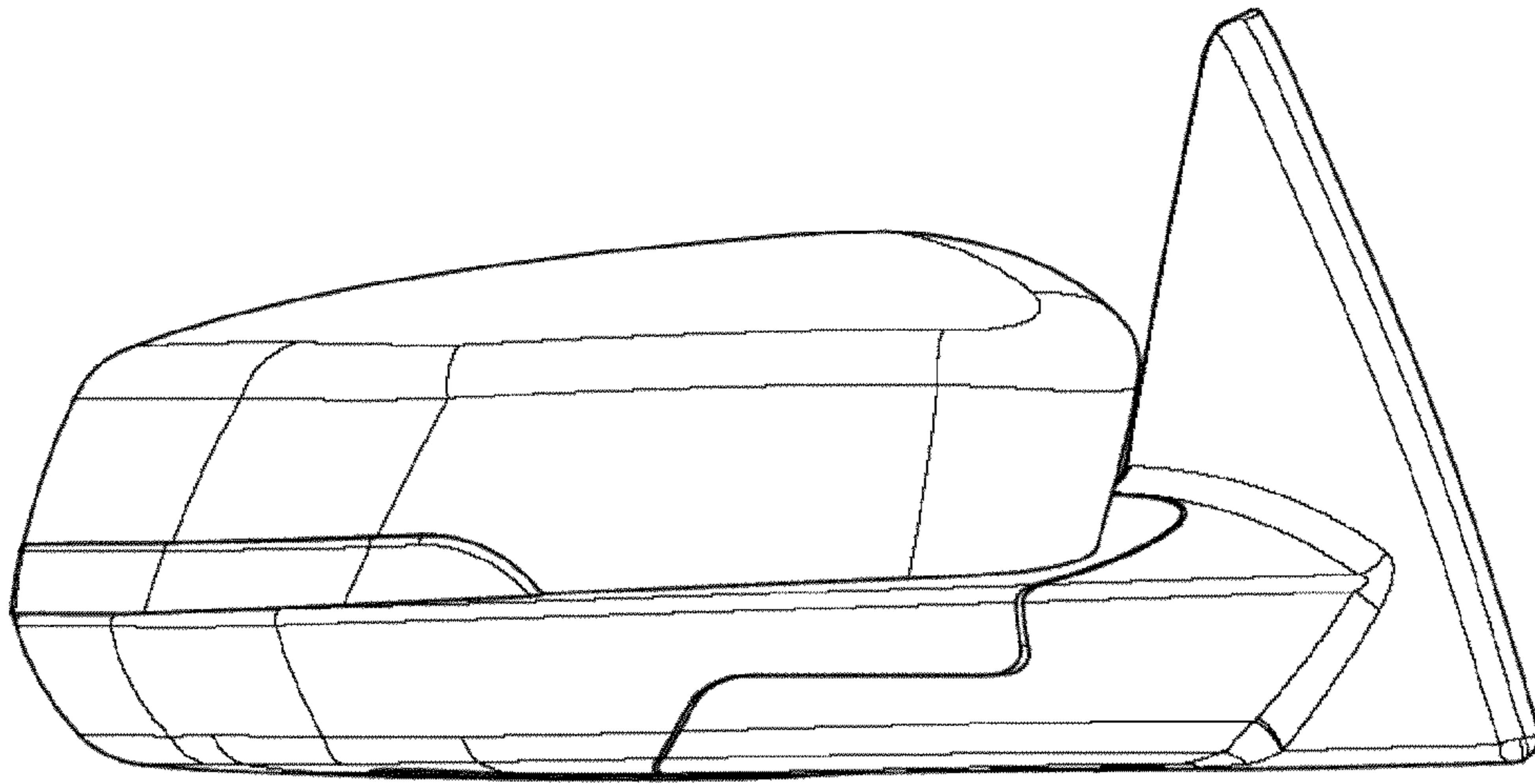


FIG. 2

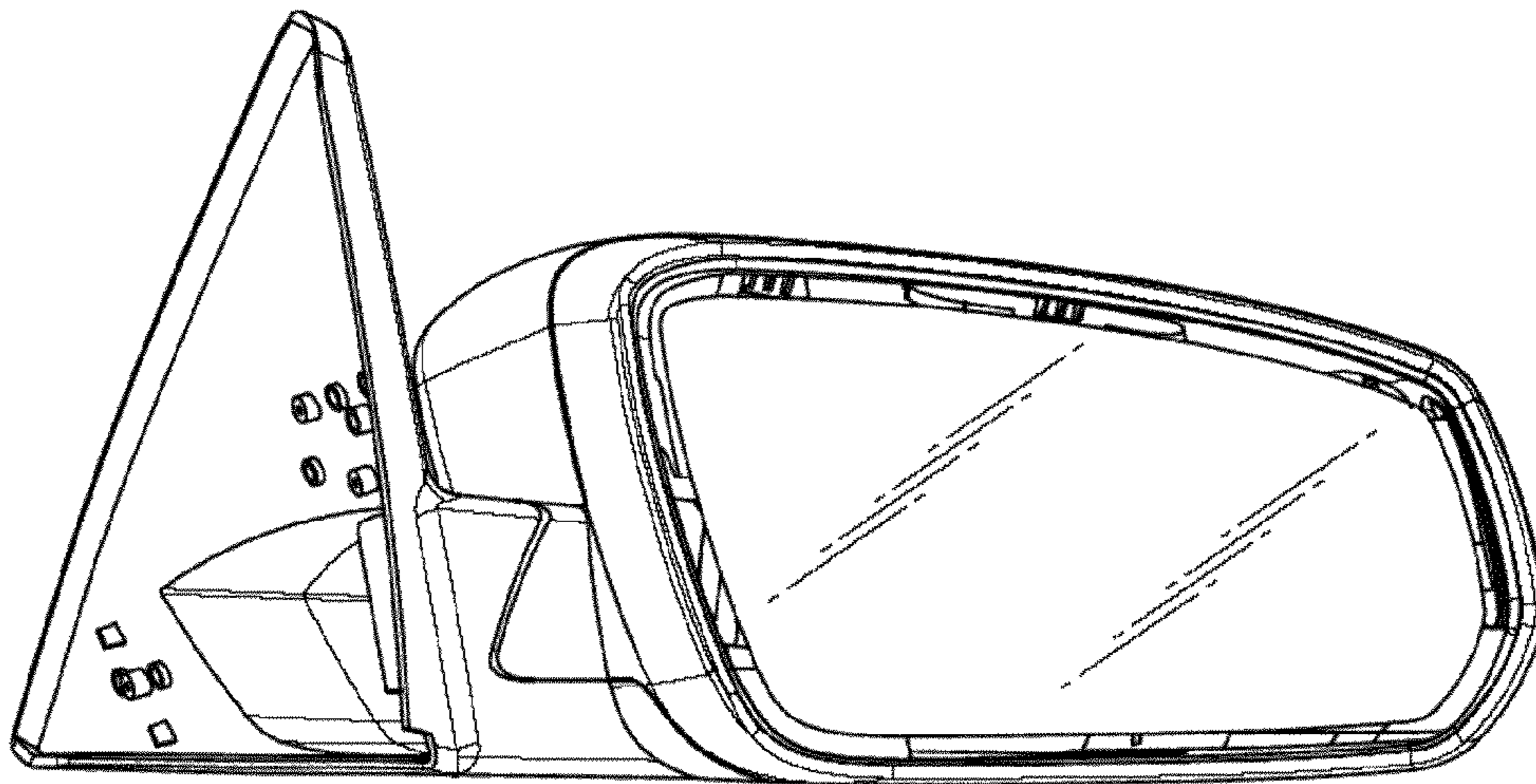


FIG. 3

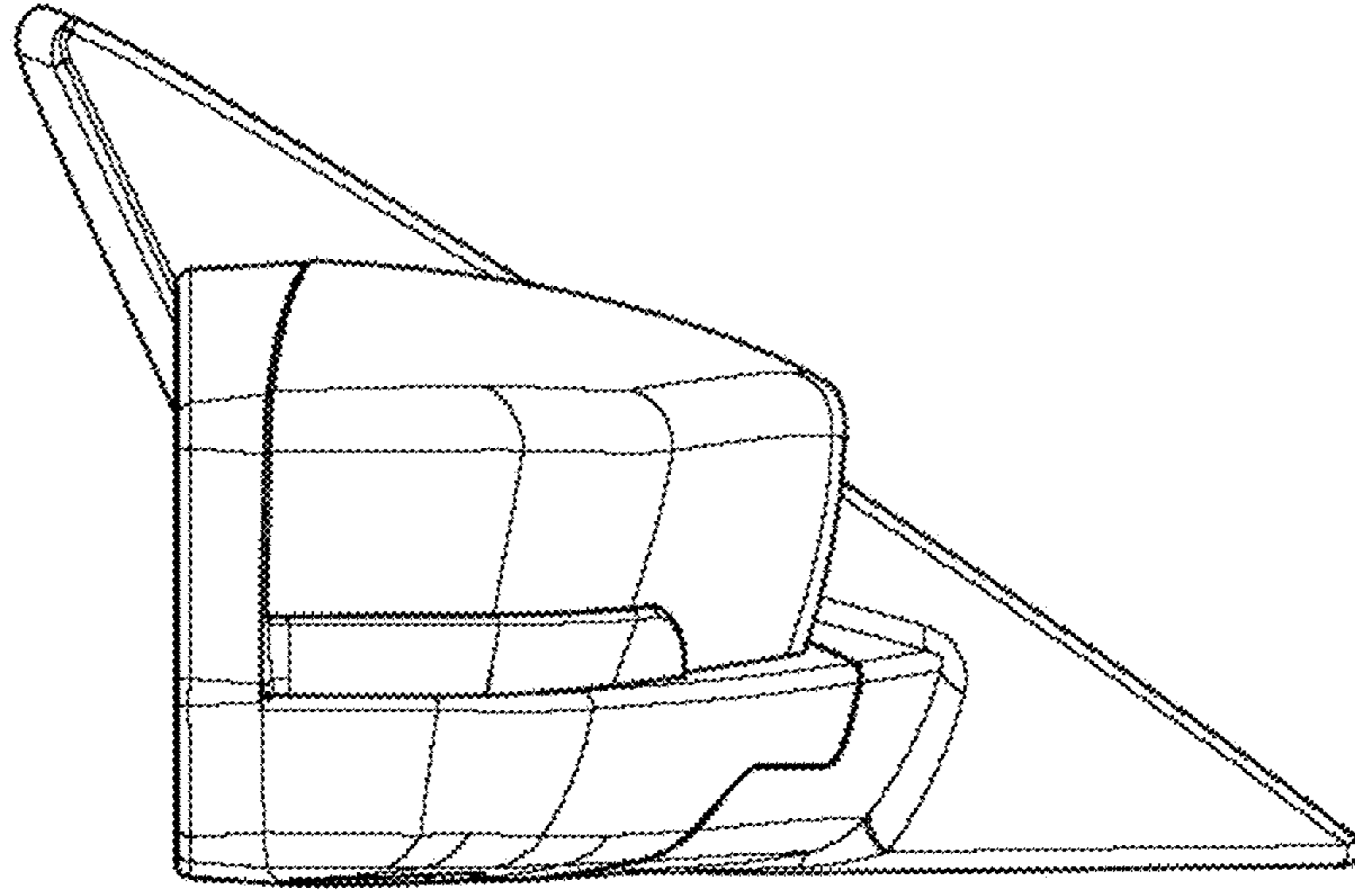


FIG. 4

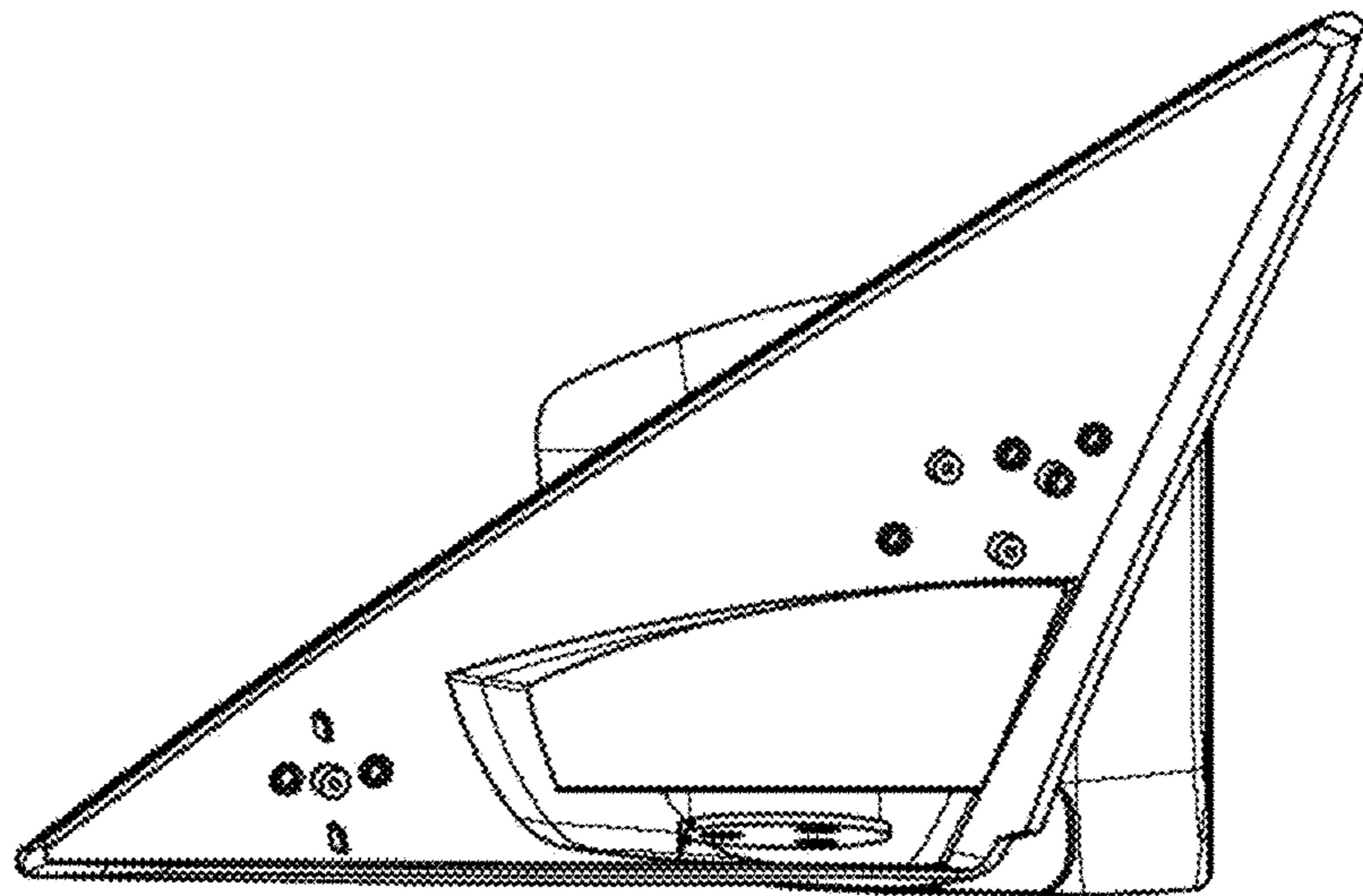


FIG. 5

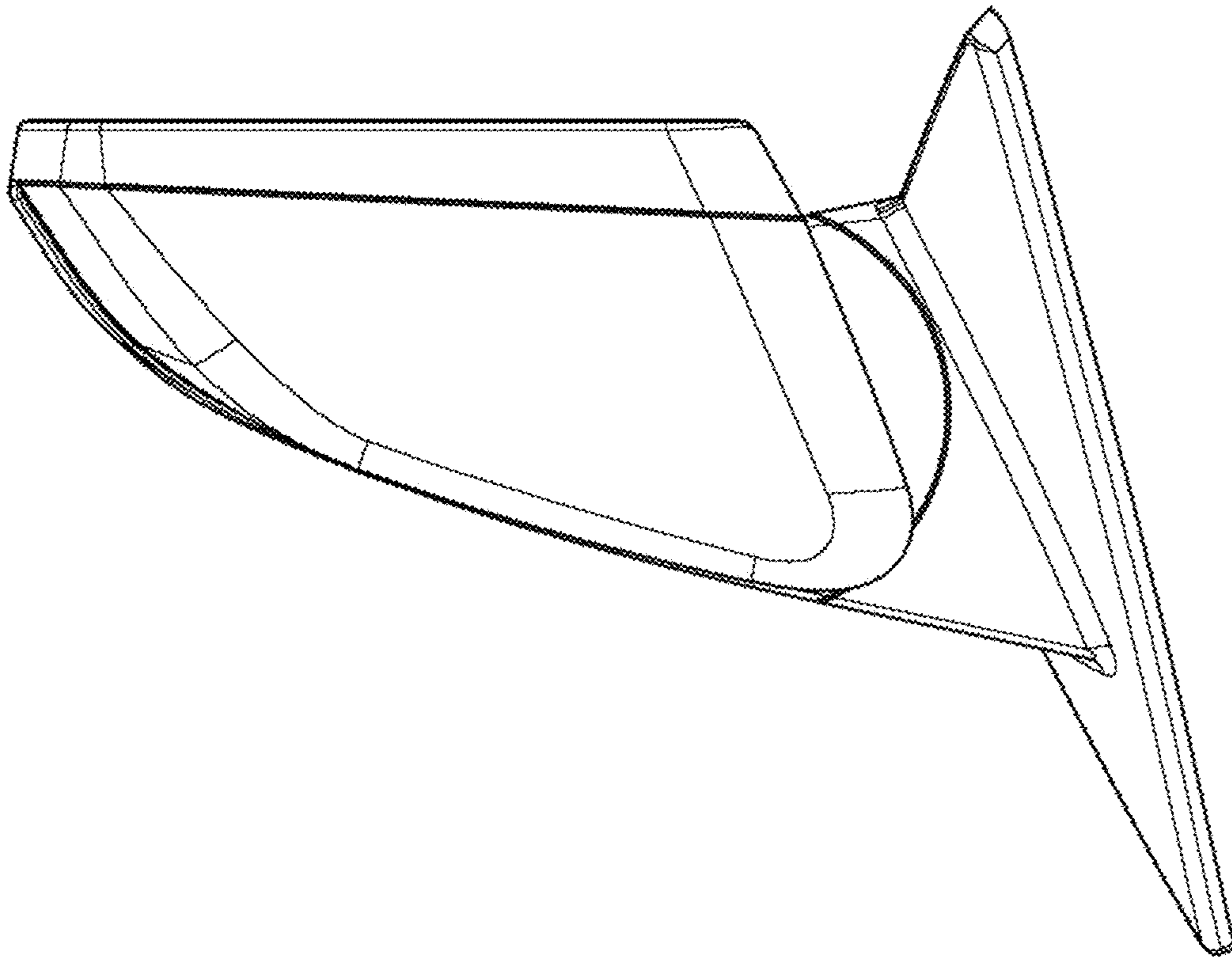


FIG.6

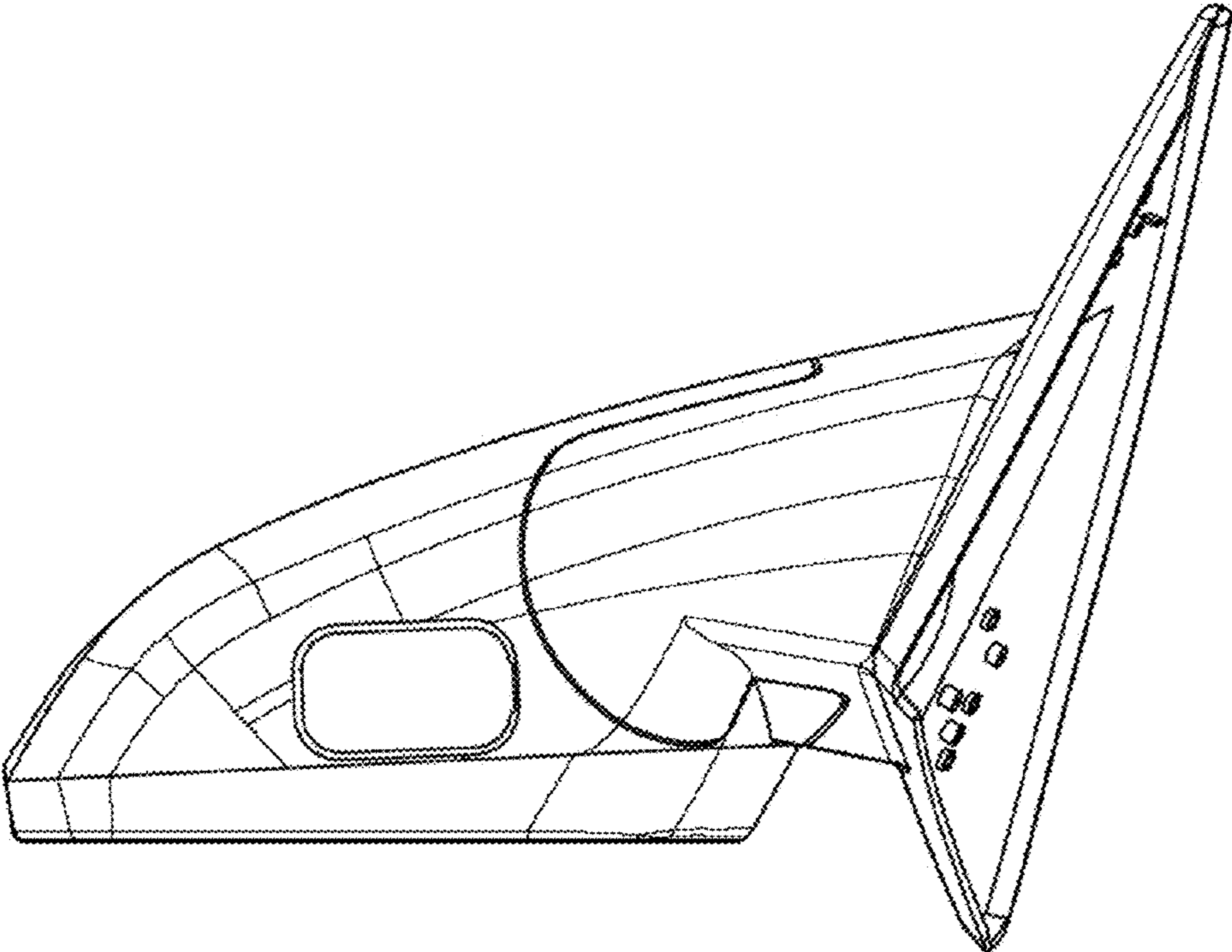


FIG.7