



US00D727228S

(12) **United States Design Patent**
Gould et al.

(10) **Patent No.:** **US D727,228 S**
(45) **Date of Patent:** **** Apr. 21, 2015**

- (54) **FENDER**
- (71) Applicants: **Jonathan Mark Gould**, Birmingham (GB); **Andrew Tempest**, Norfolk (GB)
- (72) Inventors: **Jonathan Mark Gould**, Birmingham (GB); **Andrew Tempest**, Norfolk (GB)
- (73) Assignee: **Emerald Automotive, LLC**, Hazelwood, MO (US)
- (**) Term: **14 Years**
- (21) Appl. No.: **29/433,084**
- (22) Filed: **Sep. 25, 2012**
- (51) **LOC (10) Cl.** **12-16**
- (52) **U.S. Cl.**
USPC **D12/184**
- (58) **Field of Classification Search**
USPC D12/90, 91, 92, 181, 184, 196;
280/152.1, 847, 848, 849, 851;
296/181.1, 181.5
See application file for complete search history.

D317,586 S *	6/1991	Yoshinao et al.	D12/184
D432,472 S *	10/2000	Tart	D12/185
D491,856 S *	6/2004	Velazco	D12/196
D584,667 S *	1/2009	Leclercq	D12/184
D593,915 S *	6/2009	Habib	D12/184
D620,407 S *	7/2010	Froehlich	D12/184
D629,344 S *	12/2010	Komuro	D12/181
D665,319 S *	8/2012	Huet	D12/184
D671,871 S *	12/2012	Ohkoshi	D12/184

FOREIGN PATENT DOCUMENTS

EP	1153823 A2 *	11/2001	B62D 25/08
JP	2010215114 A *	9/2010	B62D 25/16
JP	2011183915 A *	9/2011	B62D 25/16
WO	WO 9205064 A1 *	4/1992	B62D 25/16

* cited by examiner

Primary Examiner — Philip S Hyder
Assistant Examiner — Darlington Ly
(74) *Attorney, Agent, or Firm* — Baker and Hostetler LLP

(57) **CLAIM**
The ornamental design for a fender, as shown and described.

DESCRIPTION

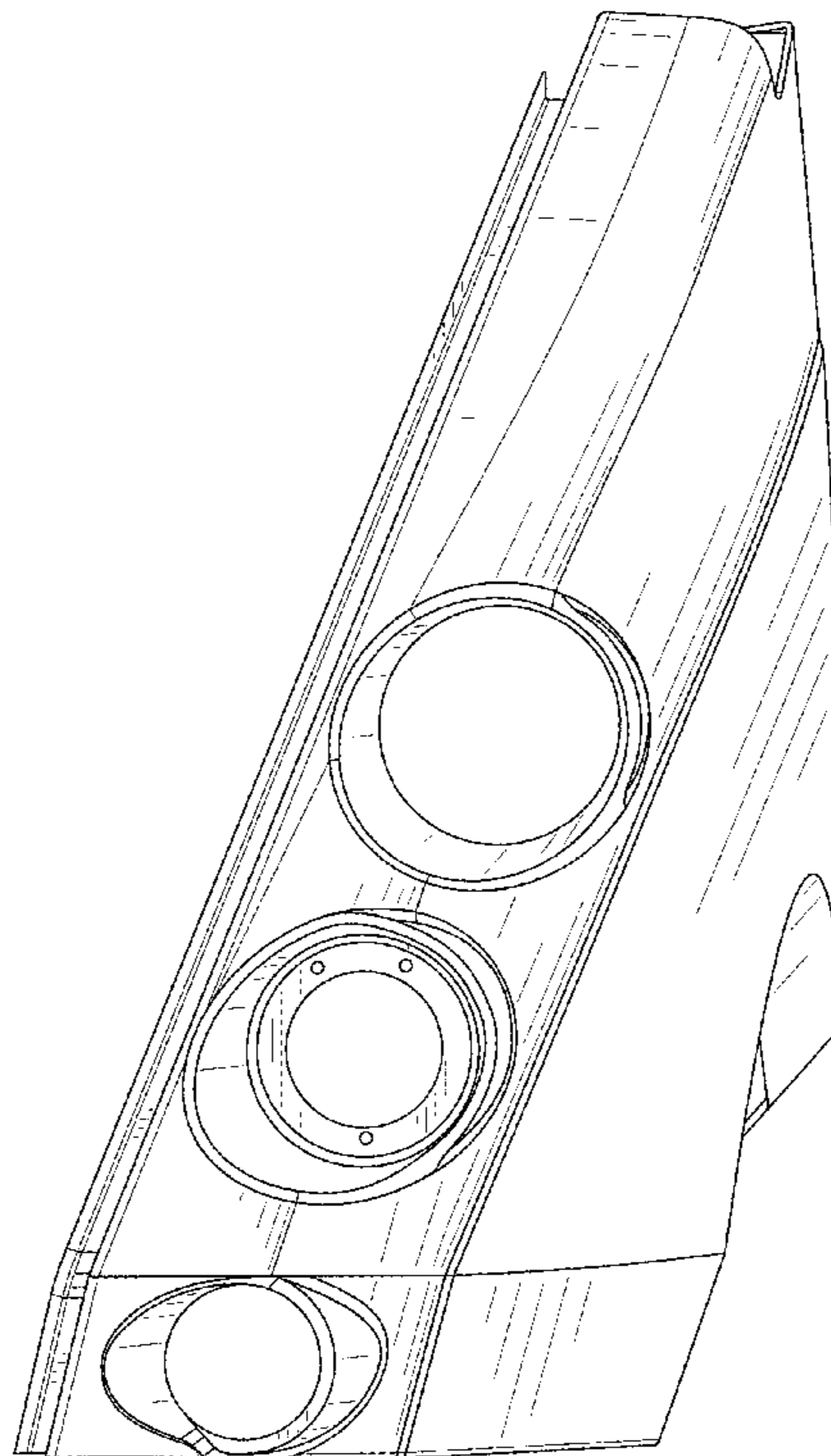
FIG. 1 is a left side perspective view of the fender incorporating the design according to our novel design; and FIG. 2 is a side perspective view of the fender incorporating the design according to our novel design; and, FIG. 3 is a side elevation view of the fender incorporating the design according to our novel design.

1 Claim, 3 Drawing Sheets

(56) **References Cited**

U.S. PATENT DOCUMENTS

4,623,190 A *	11/1986	Fujimori et al.	296/198
D287,845 S *	1/1987	Matsumoto et al.	D12/184
D294,818 S *	3/1988	Kawatsu et al.	D12/184
D300,421 S *	3/1989	Ichikawa	D12/184



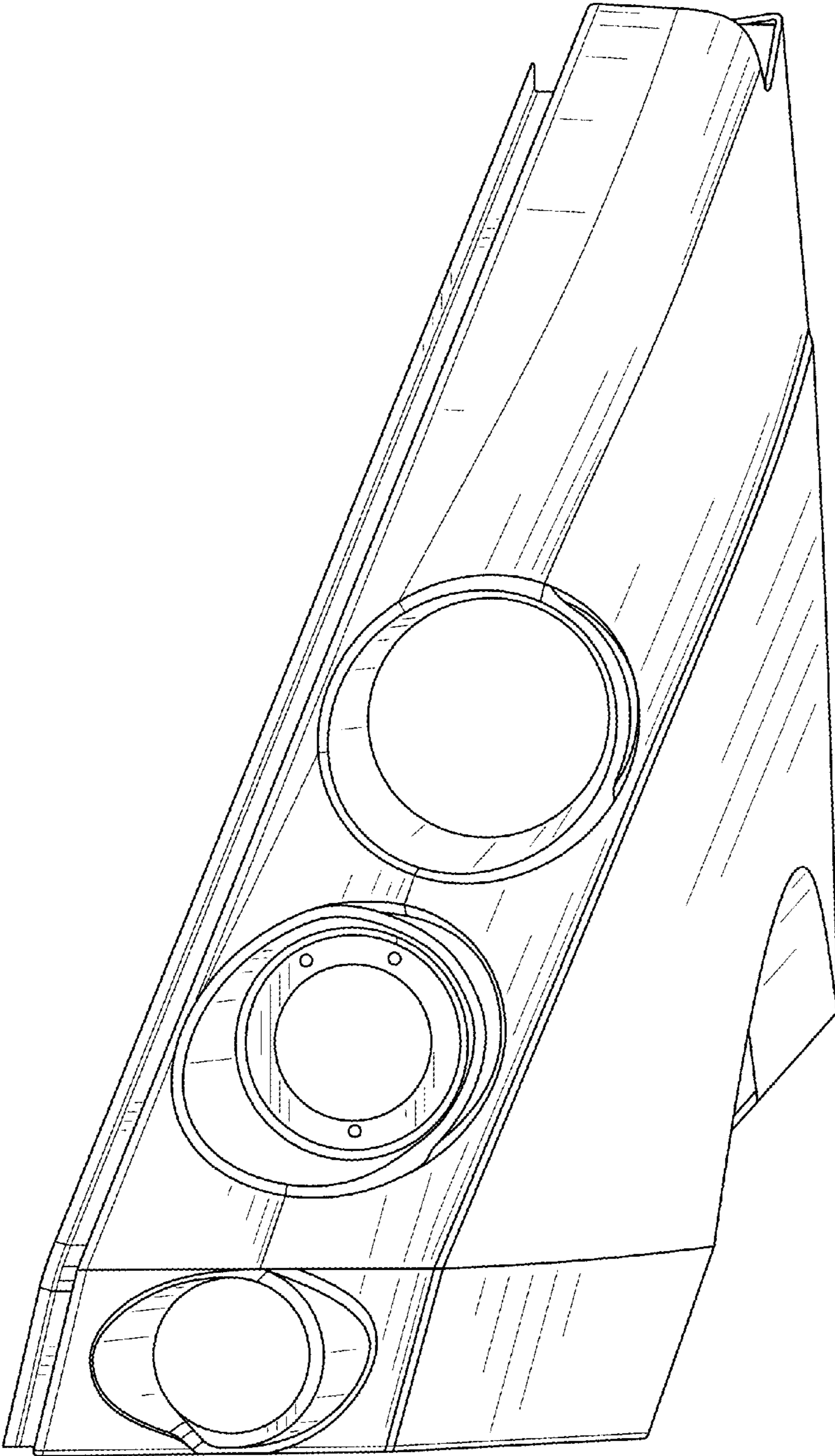


FIG. 1

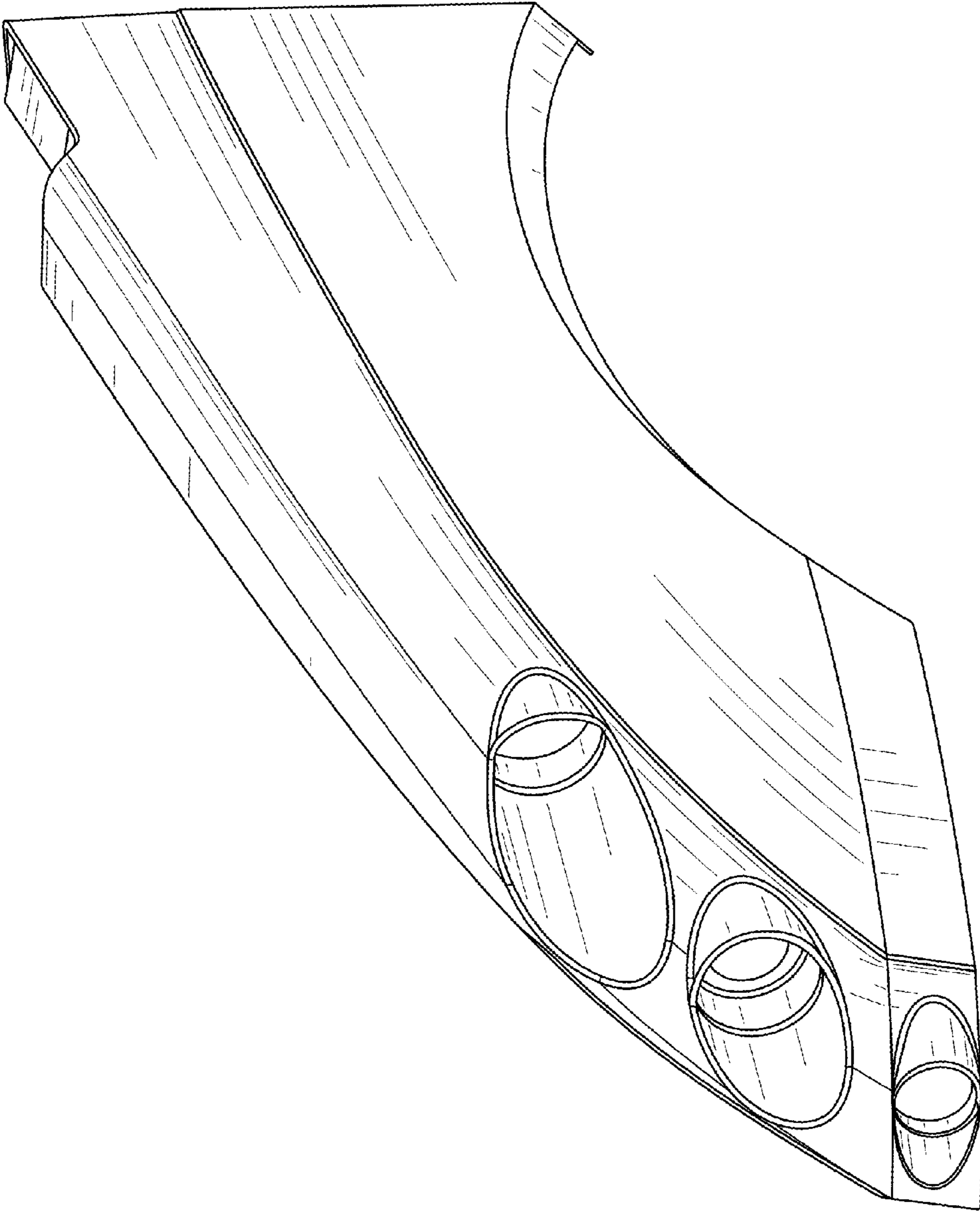


FIG. 2

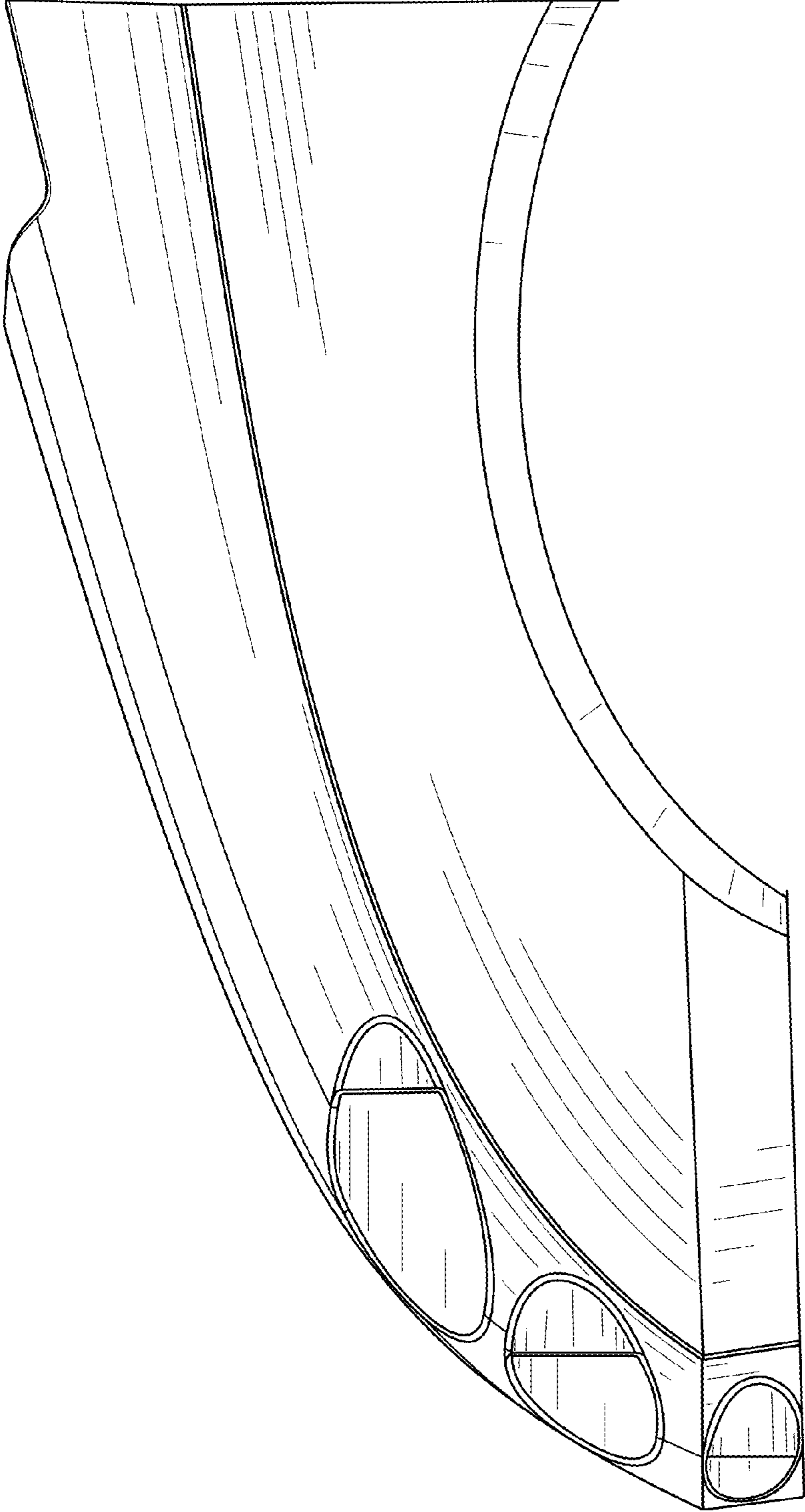


FIG. 3