



US00D727226S

(12) **United States Design Patent**
Mayerle

(10) **Patent No.:** **US D727,226 S**
(45) **Date of Patent:** **** Apr. 21, 2015**

- (54) **STEERING WHEEL**
- (71) Applicant: **Bayerische Motoren Werke Aktiengesellschaft, Munich (DE)**
- (72) Inventor: **Daniel Mayerle, Munich (DE)**
- (73) Assignee: **Bayerische Motoren Werke Aktiengesellschaft, Munich (DE)**
- (**) Term: **14 Years**
- (21) Appl. No.: **29/481,908**
- (22) Filed: **Feb. 12, 2014**

D684,511 S *	6/2013	Koyama	D12/176
D688,606 S *	8/2013	Balko et al.	D12/176
D692,813 S *	11/2013	Koyama	D12/175
D696,991 S *	1/2014	Bose et al.	D12/176
D696,992 S *	1/2014	Pohanka et al.	D12/176
D709,006 S *	7/2014	Busse et al.	D12/176
D710,769 S *	8/2014	Cheung et al.	D12/176

(30) **Foreign Application Priority Data**

Aug. 14, 2013 (DE) 40 2013 100 842

- (51) **LOC (10) Cl.** **12-16**
- (52) **U.S. Cl.**
USPC **D12/176**

- (58) **Field of Classification Search**
CPC B60R 21/203; B60R 21/05; B62D 1/04
USPC D12/175, 176; 74/552, 558, 558.5
See application file for complete search history.

(56) **References Cited**

U.S. PATENT DOCUMENTS

D630,983 S *	1/2011	Frank et al.	D12/176
D635,069 S *	3/2011	Klein et al.	D12/176
D635,900 S *	4/2011	Anzi	D12/176
D636,711 S *	4/2011	Anzi	D12/176
D672,293 S *	12/2012	Toyama et al.	D12/176

FOREIGN PATENT DOCUMENTS

EM	000660618-0006	3/2007
EM	001897836-0002	9/2011
EM	001890088-0004	10/2012
EM	002142380-0003	11/2012

* cited by examiner

Primary Examiner — Melody Brown

(74) *Attorney, Agent, or Firm* — Crowell & Moring LLP

(57) **CLAIM**

The ornamental design for a steering wheel, as shown and described.

DESCRIPTION

FIG. 1 is a front view of a steering wheel according to the design;
 FIG. 2 is a left, front perspective view thereof, the right, front perspective view being mirror symmetrical;
 FIG. 3 is a left side view thereof;
 FIG. 4 is a top view thereof;
 FIG. 5 is a bottom view thereof; and,
 FIG. 6 is a rear view thereof.

1 Claim, 6 Drawing Sheets





Fig. 1



Fig. 2

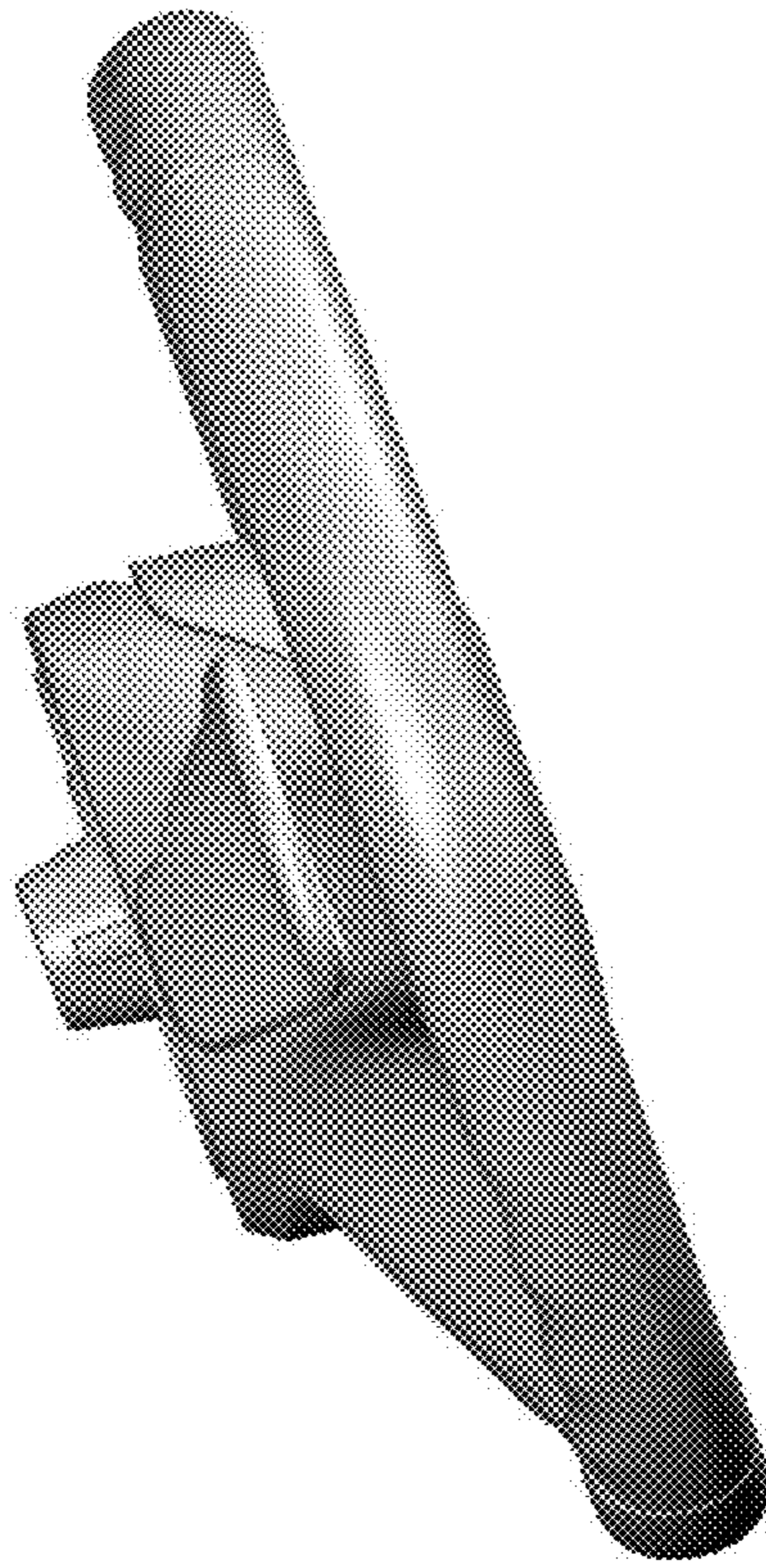


Fig. 3

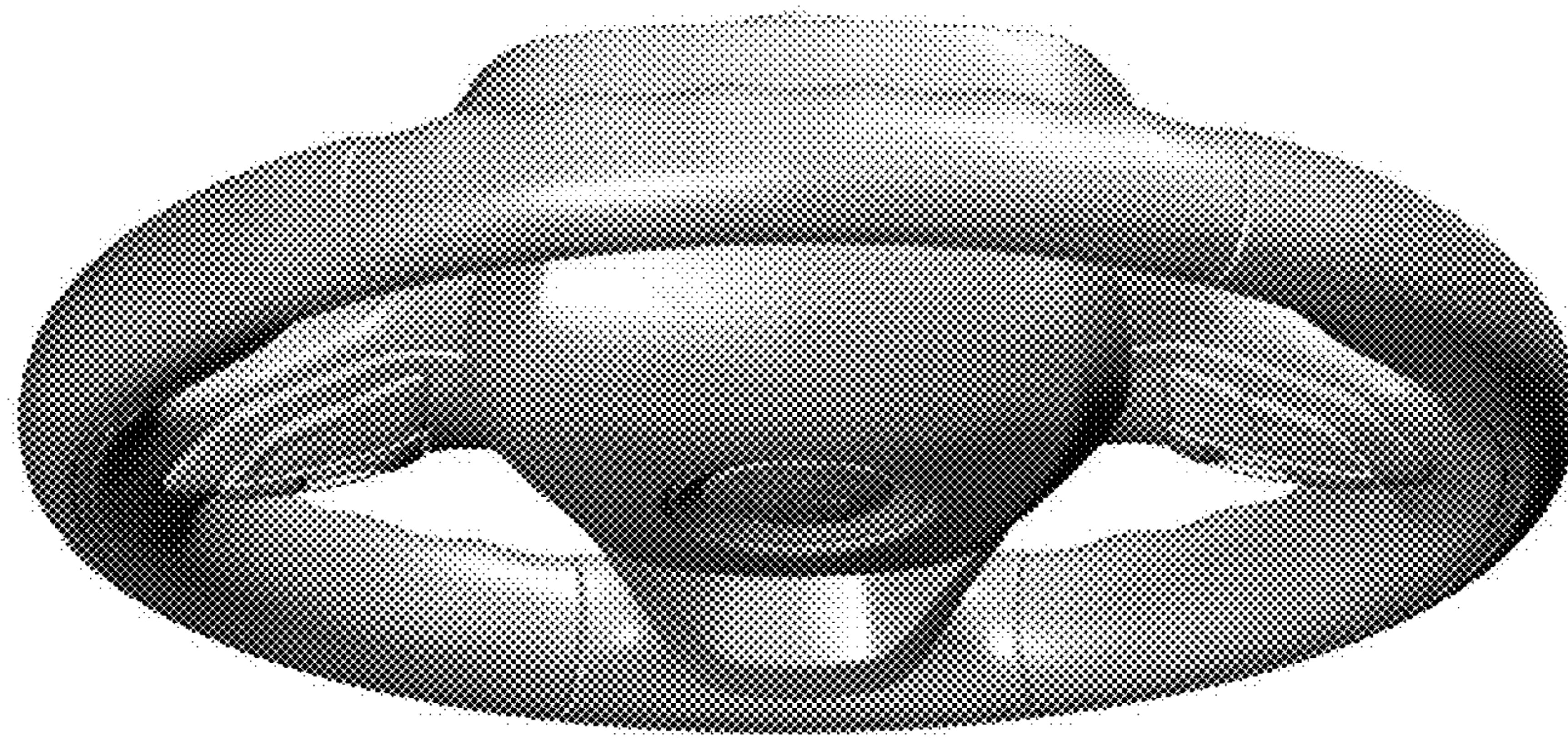


Fig. 4



Fig. 5



Fig. 6