



US00D727224S

(12) **United States Design Patent**  
**Wolff et al.**

(10) **Patent No.:** **US D727,224 S**  
(45) **Date of Patent:** **\*\* Apr. 21, 2015**

(54) **VEHICLE FRONT BUMPER COVER**

(71) Applicant: **Ford Motor Company**, Dearborn, MI (US)

(72) Inventors: **Max Wolff**, Birmingham, MI (US);  
**James Everett Grake**, Beverly Hills, MI (US);  
**George Bucher**, Dearborn, MI (US);  
**Soohyoung Kim**, Northville, MI (US)

(73) Assignee: **Ford Motor Company**, Dearborn, MI (US)

(\*\*) Term: **14 Years**

(21) Appl. No.: **29/480,130**

(22) Filed: **Jan. 23, 2014**

(51) **LOC (10) Cl.** ..... **12-16**

(52) **U.S. Cl.**  
USPC ..... **D12/169**

(58) **Field of Classification Search**  
USPC ..... D12/169, 216, 90-92, 86, 171, 196,  
D12/163; 293/102, 113, 115, 117, 120;  
296/180.1, 180.2  
See application file for complete search history.

(56) **References Cited**

**U.S. PATENT DOCUMENTS**

D610,503 S \* 2/2010 Bucher et al. .... D12/169  
D637,535 S \* 5/2011 Yukawa et al. .... D12/169

D644,575 S \* 9/2011 Messale ..... D12/169  
D651,143 S \* 12/2011 Murakawa et al. .... D12/169  
D651,541 S \* 1/2012 Okumoto et al. .... D12/169  
D659,605 S \* 5/2012 Varga ..... D12/169  
D671,054 S \* 11/2012 Yamada et al. .... D12/169  
D671,055 S \* 11/2012 Nakamura et al. .... D12/169  
D675,140 S \* 1/2013 Ohkoshi ..... D12/169  
D681,519 S \* 5/2013 Platto et al. .... D12/169  
D683,673 S \* 6/2013 Platto et al. .... D12/169  
D688,992 S \* 9/2013 Hildebrand et al. .... D12/169  
D690,629 S \* 10/2013 Song et al. .... D12/169  
D698,709 S \* 2/2014 Rupar ..... D12/169  
D702,161 S \* 4/2014 Hanaoka ..... D12/169

\* cited by examiner

*Primary Examiner* — Melody N Brown

(74) *Attorney, Agent, or Firm* — Damian Porcari

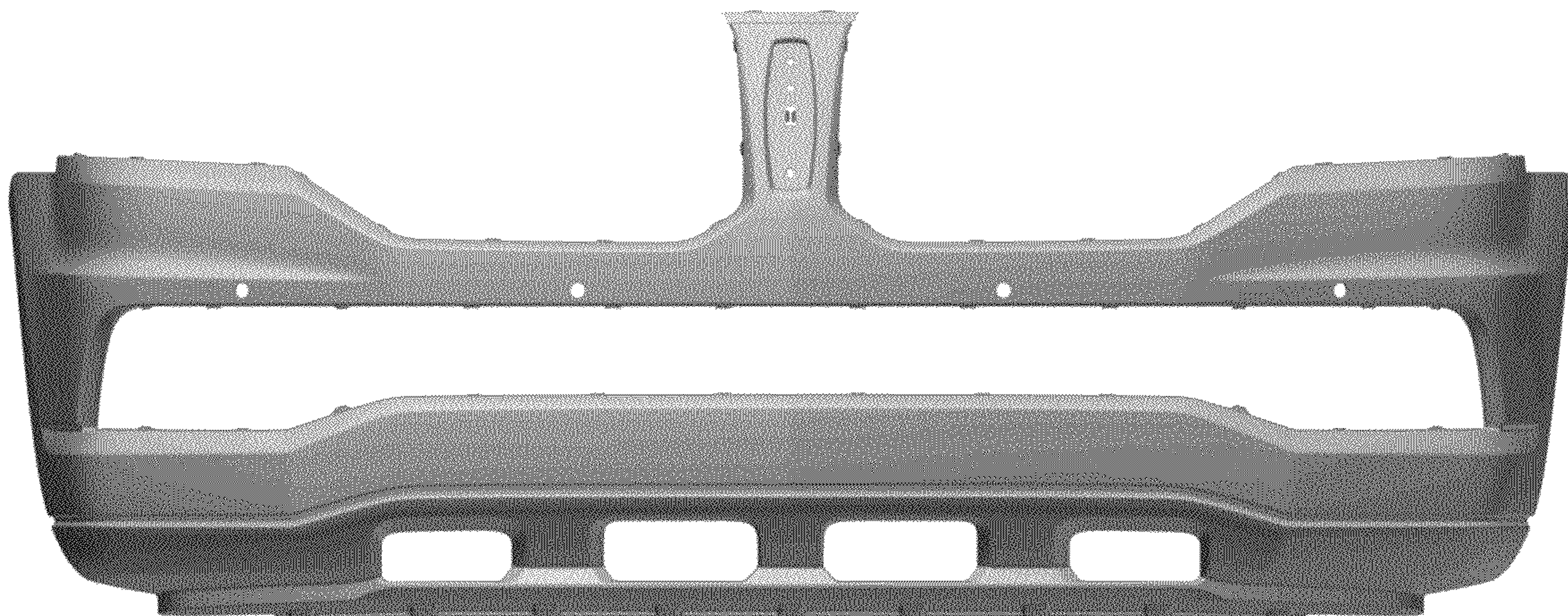
(57) **CLAIM**

The ornamental design for a vehicle front bumper cover, as shown and described.

**DESCRIPTION**

FIG. 1 is a perspective view of a vehicle front bumper cover; FIG. 2 is another perspective view thereof; FIG. 3 is a front elevational view thereof; FIG. 4 is a left side elevational view thereof; FIG. 5 is a right side elevational view thereof; FIG. 6 is a top plan view thereof; and, FIG. 7 is a bottom plan view thereof.

**1 Claim, 7 Drawing Sheets**



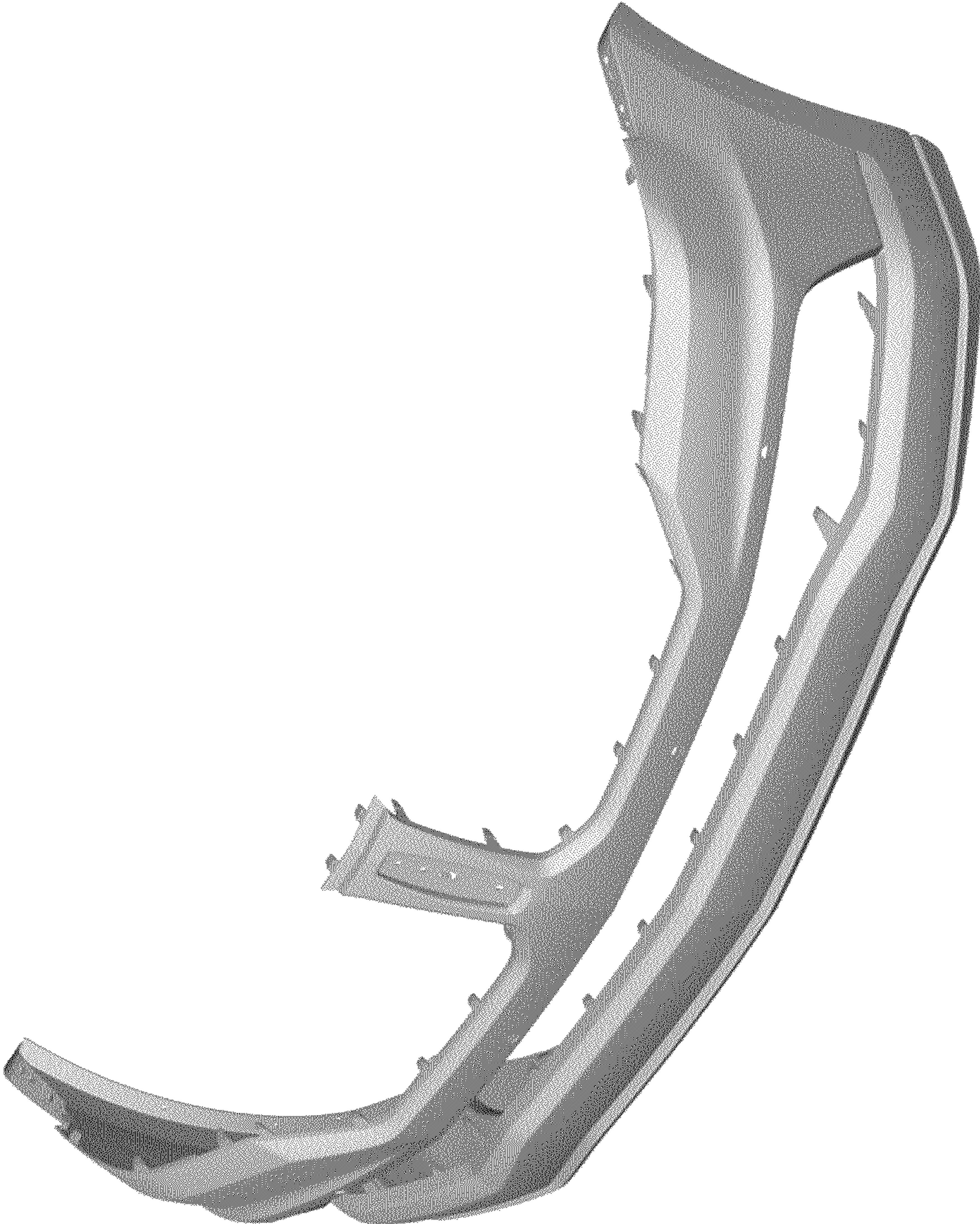


Figure 1

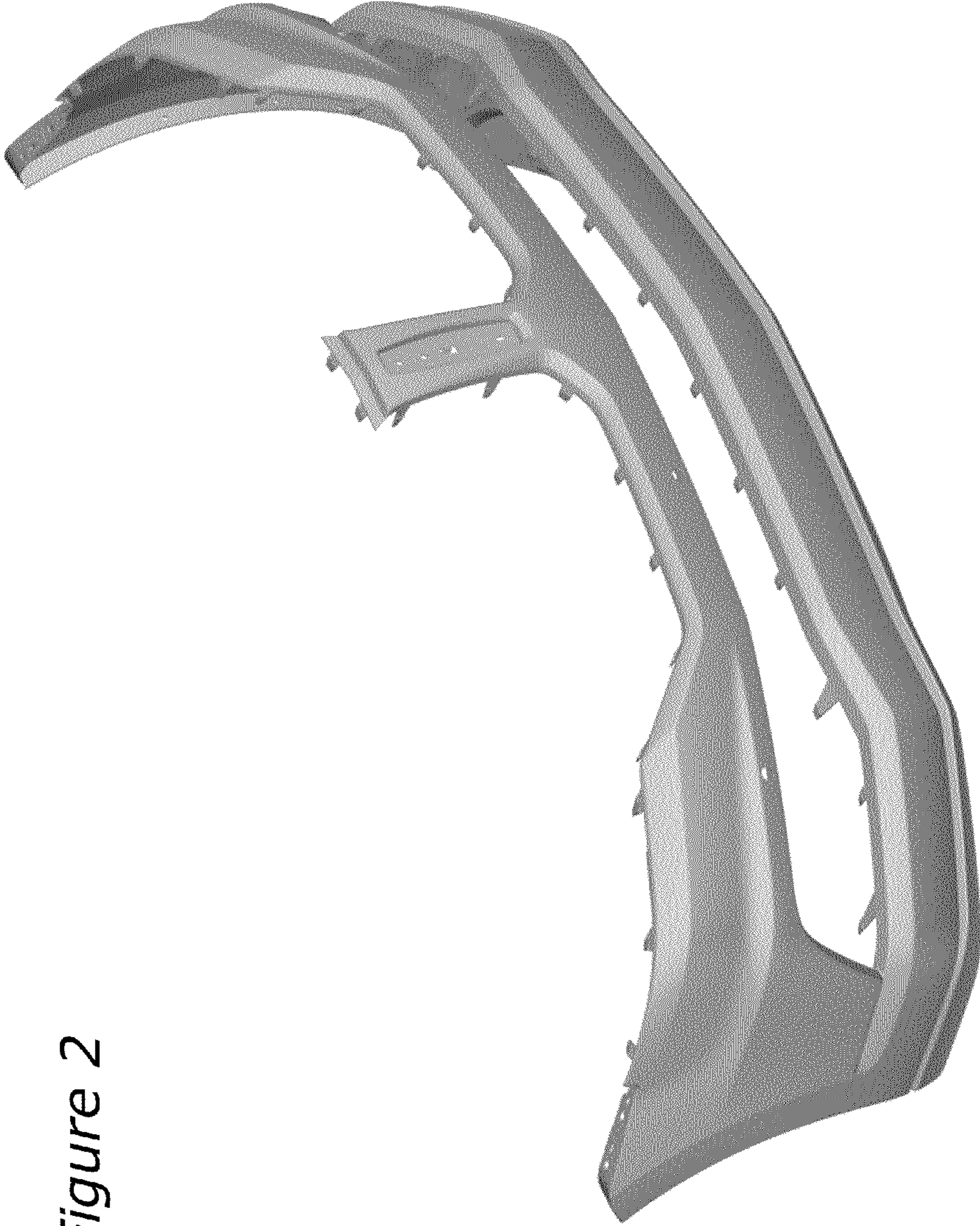


Figure 2

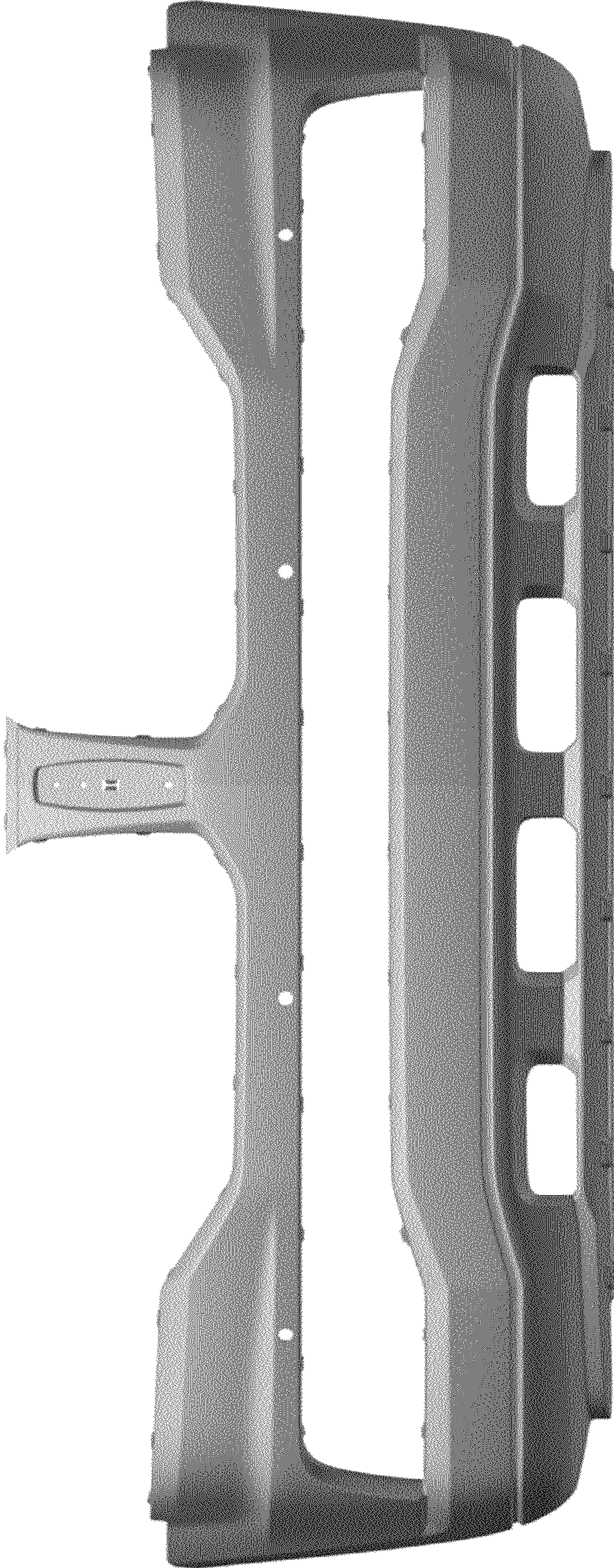


Figure 3

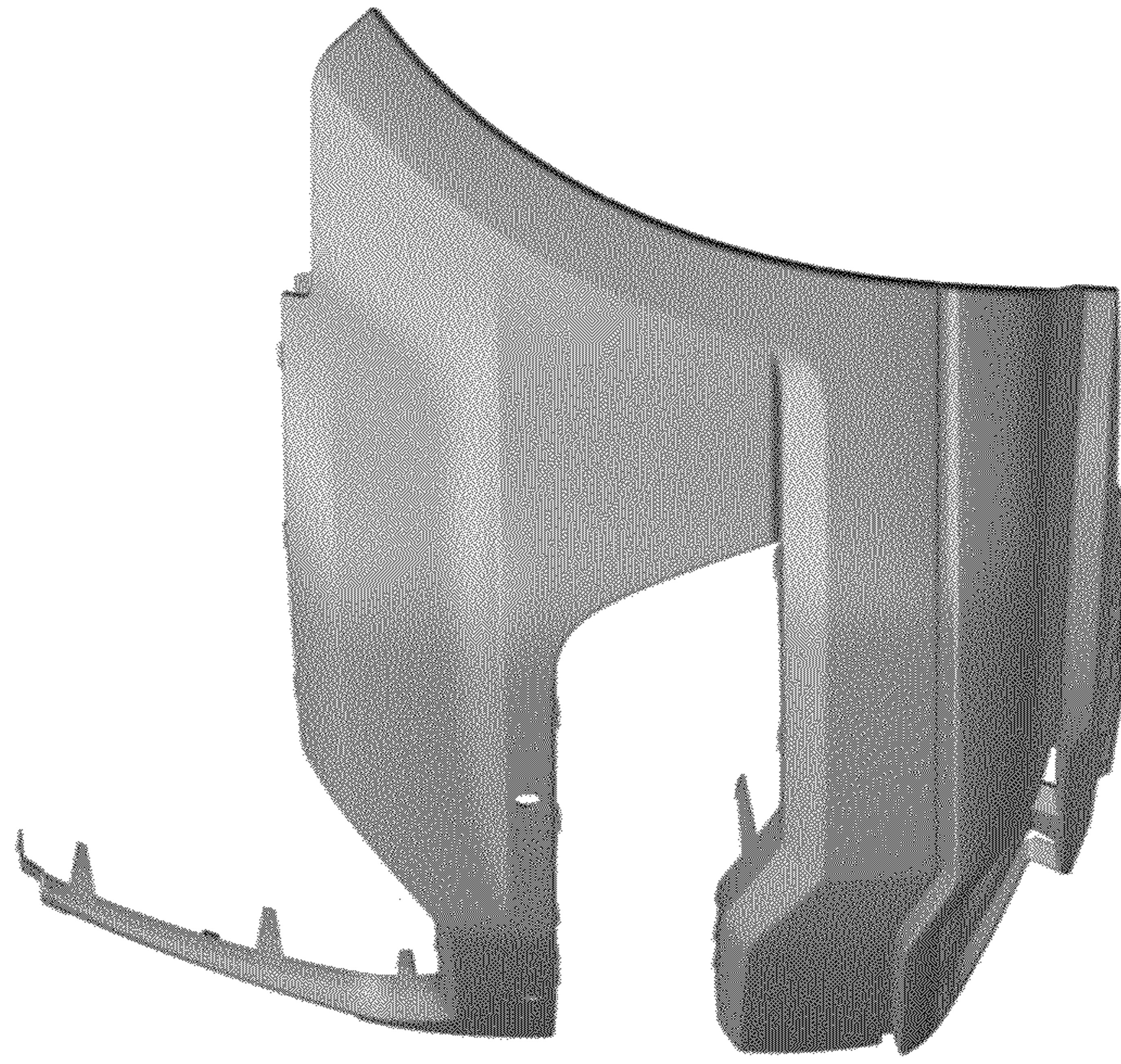


Figure 4

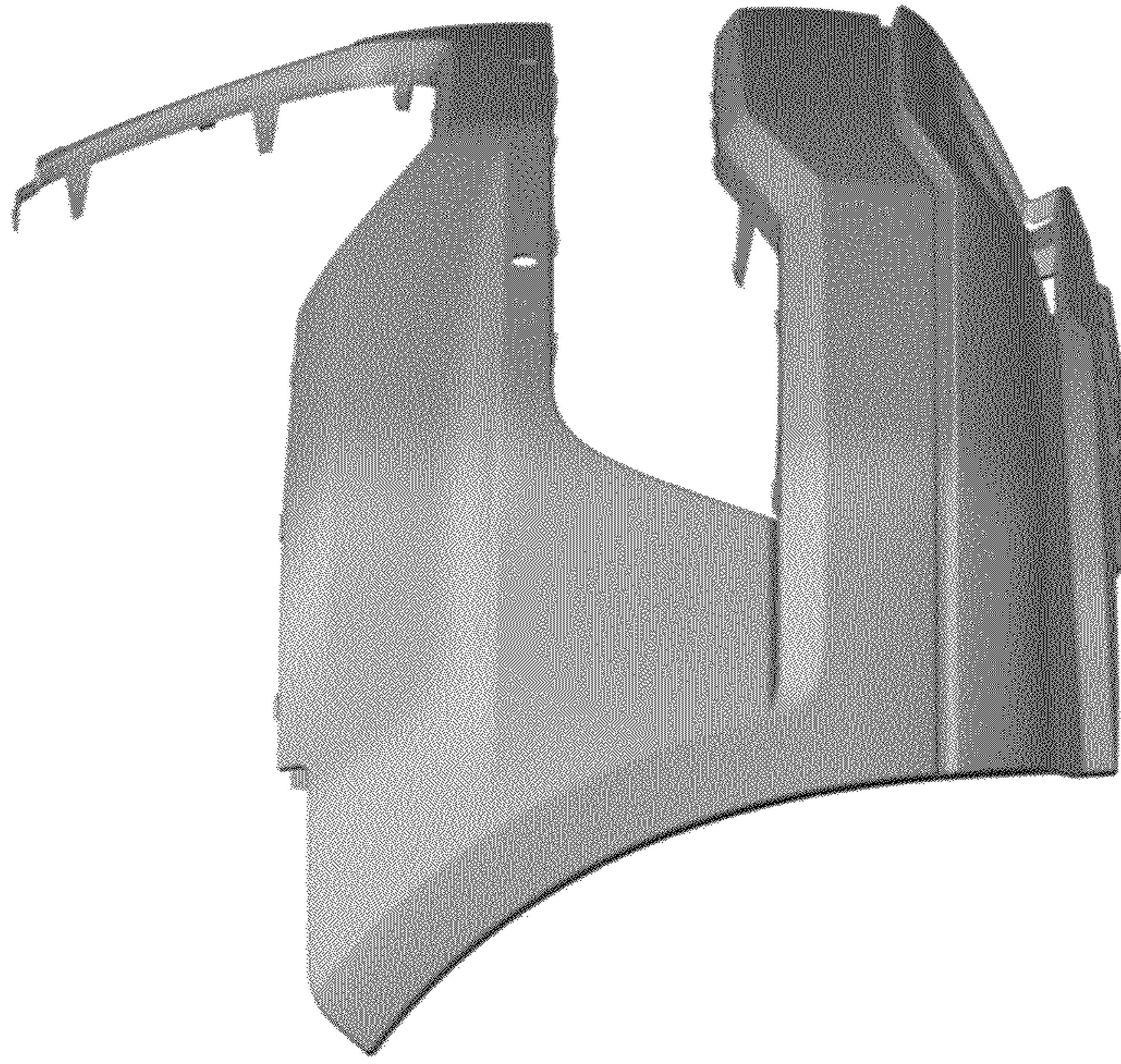


Figure 5



Figure 6



Figure 7