

US00D727222S

(12) **United States Design Patent**  
**Jamieson**

(10) **Patent No.:** **US D727,222 S**  
(45) **Date of Patent:** **\*\* Apr. 21, 2015**

(54) **VEHICLE FRONT GRILLE**

(56) **References Cited**

(71) Applicant: **GM Global Technology Operations LLC, Detroit, MI (US)**

U.S. PATENT DOCUMENTS

(72) Inventor: **Stuart Jamieson, Burbank, CA (US)**

|              |         |                    |         |
|--------------|---------|--------------------|---------|
| D531,554 S * | 11/2006 | Conkey et al. .... | D12/163 |
| D533,484 S * | 12/2006 | Behmer et al. .... | D12/163 |
| D535,223 S * | 1/2007  | Gaffka et al. .... | D12/163 |
| D573,924 S * | 7/2008  | Tachibana ....     | D12/163 |
| D692,803 S * | 11/2013 | Nakahara ....      | D12/163 |
| D715,704 S * | 10/2014 | Steinhauser ....   | D12/163 |
| D716,706 S * | 11/2014 | Thole et al. ....  | D12/163 |

(73) Assignee: **GM Global Technology Operations LLC, Detroit, MI (US)**

\* cited by examiner

(\*\*) Term: **14 Years**

*Primary Examiner* — Melody N Brown

(21) Appl. No.: **29/482,172**

(74) *Attorney, Agent, or Firm* — Mickki D. Murray; Parks Wood LLC

(22) Filed: **Feb. 14, 2014**

(57) **CLAIM**

The ornamental design for a vehicle front grille, as shown and described.

(51) **LOC (10) Cl.** ..... **12-16**

**DESCRIPTION**

(52) **U.S. Cl.**

USPC ..... **D12/163**

FIG. 1 is a perspective view of a vehicle front grille showing the new design;  
FIG. 2 is a top view, thereof;  
FIG. 3 is a front view thereof; and,  
FIG. 4 is a side view thereof.

(58) **Field of Classification Search**

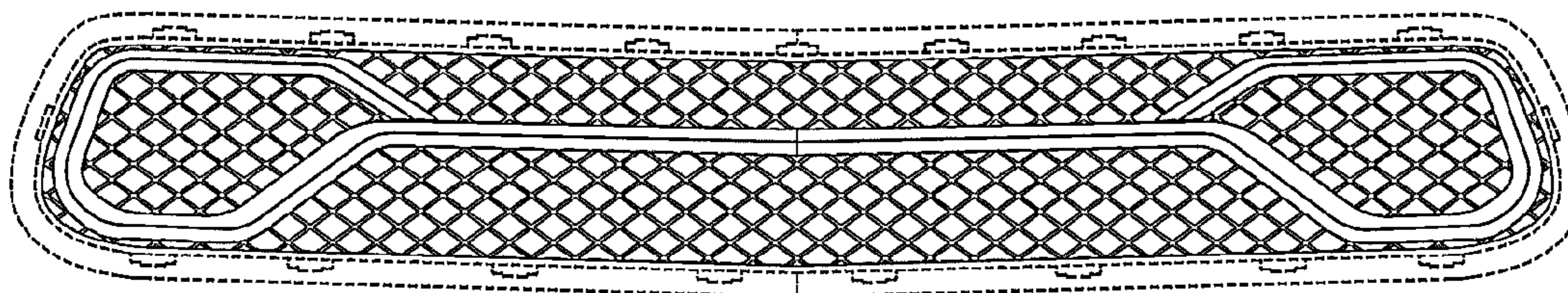
CPC ..... B62D 25/08; B62B 9/16; B60K 11/08;  
B60R 19/52

USPC ..... D12/163, 196, 86, 90-92, 171, 169,  
D12/216; 180/68.1, 68.6; 293/193.11

The broken lines shown in the drawings illustrate portions of the vehicle front grille that form no part of the claimed design.

See application file for complete search history.

**1 Claim, 1 Drawing Sheet**



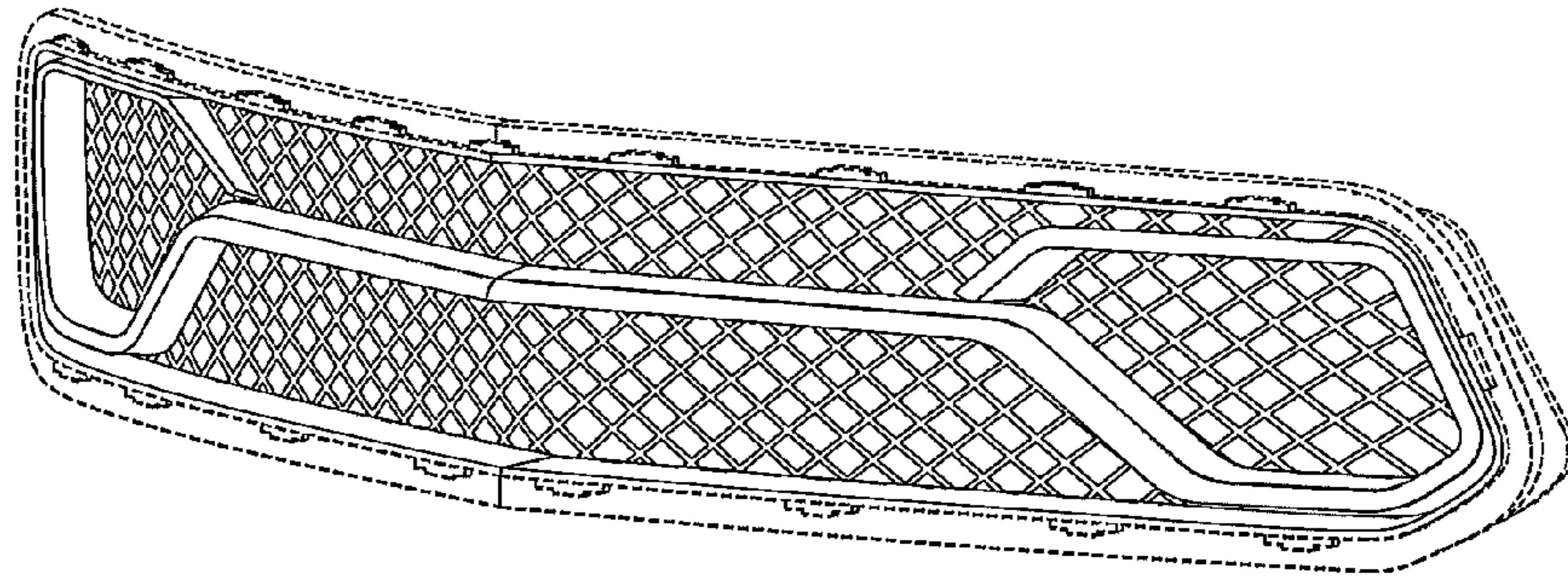


Fig-1

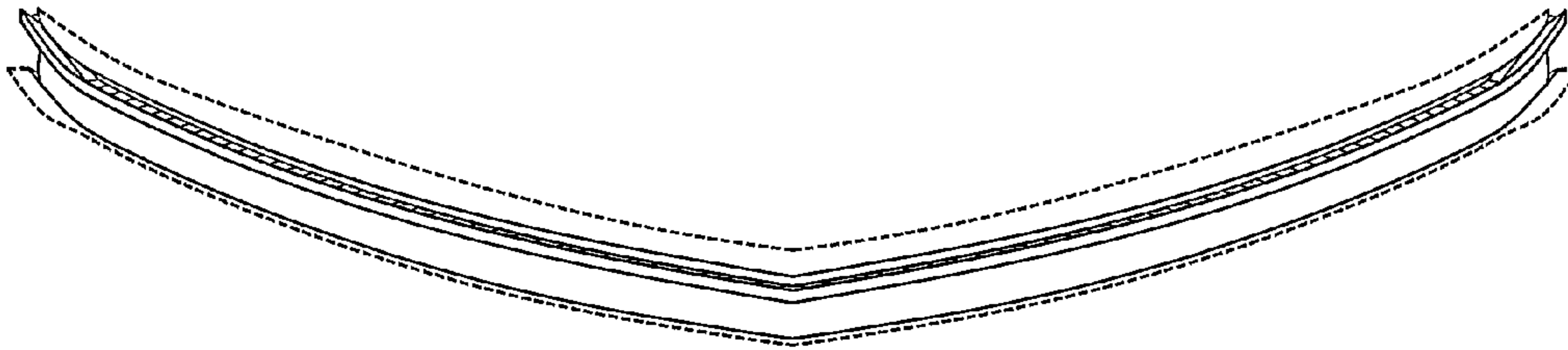


Fig-2

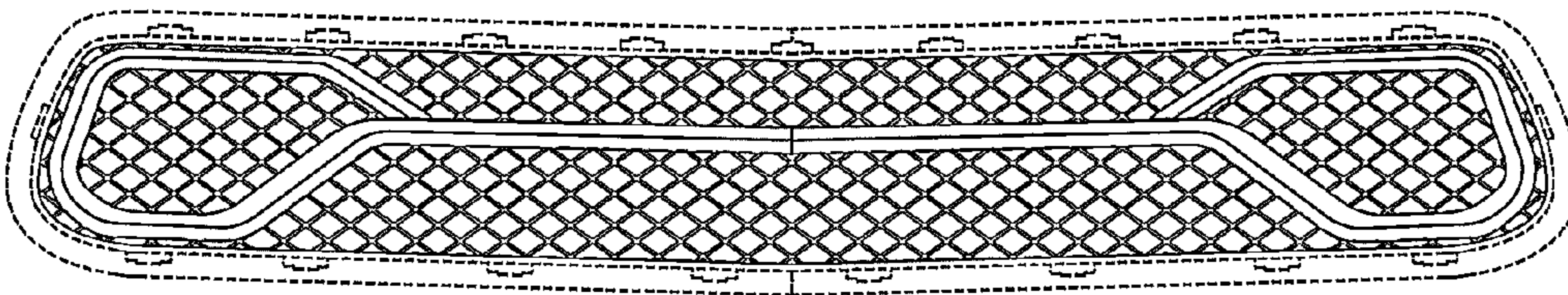


Fig-3

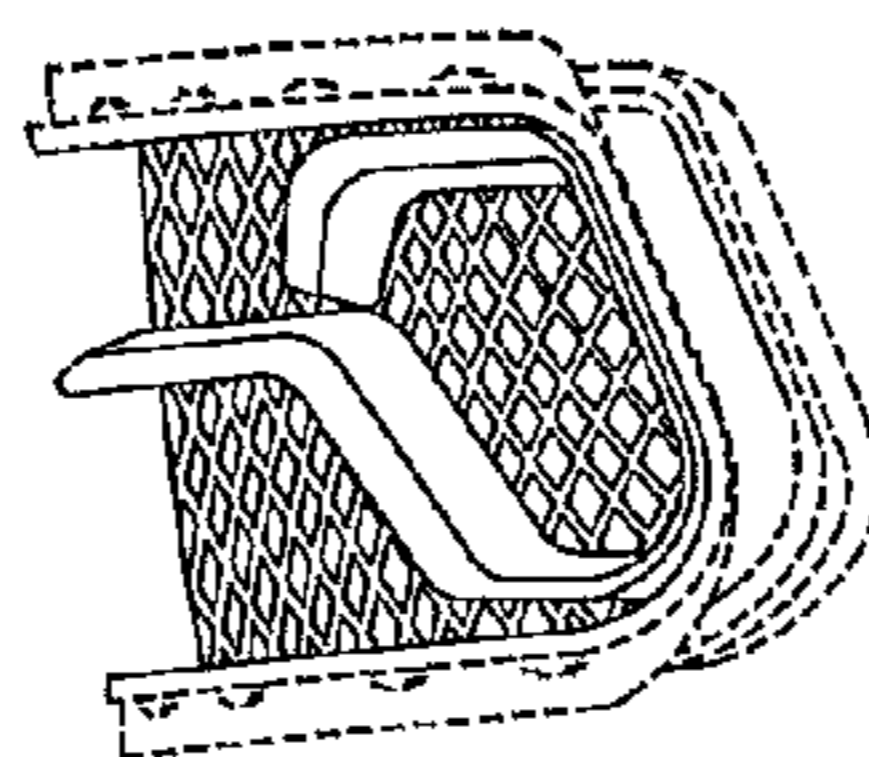


Fig-4