

US00D727220S

(12) **United States Design Patent**
Rupar et al.

(10) **Patent No.:** **US D727,220 S**

(45) **Date of Patent:** **** Apr. 21, 2015**

(54) **VEHICLE FRONT UPPER GRILLE**

(56) **References Cited**

(71) Applicant: **Ford Motor Company**, Dearborn, MI (US)

U.S. PATENT DOCUMENTS

(72) Inventors: **Ernesto Rupar**, Cologne (DE); **Dean Carbis**, Cologne (DE)

D708,993	S	*	7/2014	Mays et al.	D12/163
D712,320	S	*	9/2014	Mays et al.	D12/163
D712,321	S	*	9/2014	Mays et al.	D12/163
D714,195	S	*	9/2014	Conway et al.	D12/163

(73) Assignee: **Ford Motor Company**, Dearborn, MI (US)

* cited by examiner

(**) Term: **14 Years**

Primary Examiner — Melody Brown

(21) Appl. No.: **29/482,047**

(74) *Attorney, Agent, or Firm* — Damian Porcari

(22) Filed: **Feb. 13, 2014**

(57) **CLAIM**

The ornamental design for a vehicle front upper grille, as shown and described.

(51) **LOC (10) Cl.** **12-16**

DESCRIPTION

(52) **U.S. Cl.**
USPC **D12/163**

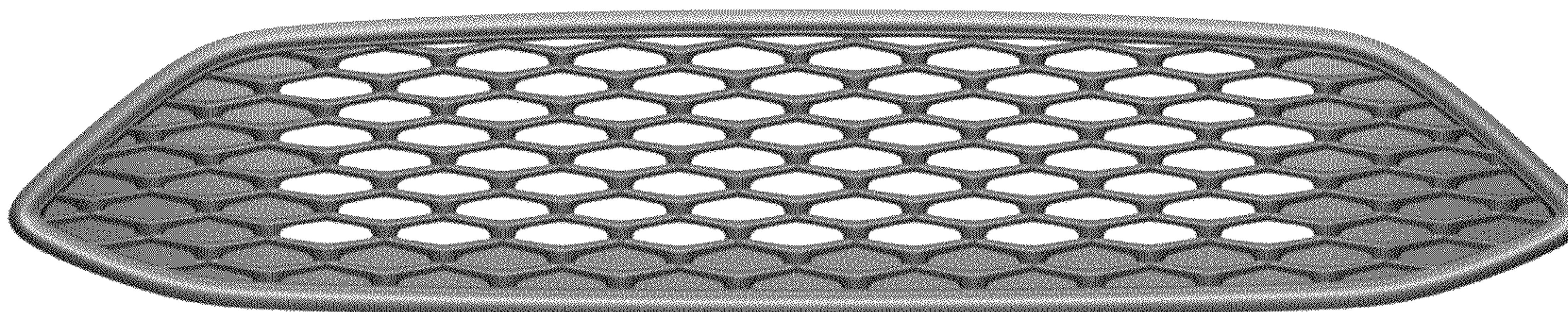
(58) **Field of Classification Search**
CPC B62D 25/08; B62B 9/16; B60K 11/08;
B60R 19/52

FIG. 1 is a perspective view of a vehicle front upper grille;
FIG. 2 is another perspective view thereof;
FIG. 3 is a front elevational view thereof;
FIG. 4 is a left side elevational view thereof;
FIG. 5 is a right side elevational view thereof;
FIG. 6 is a top plan view thereof; and,
FIG. 7 is a bottom plan view thereof.

USPC D12/163, 196, 86, 90-92, 171, 169,
D12/216; 180/68.1, 68.6; 293/193.11

See application file for complete search history.

1 Claim, 7 Drawing Sheets



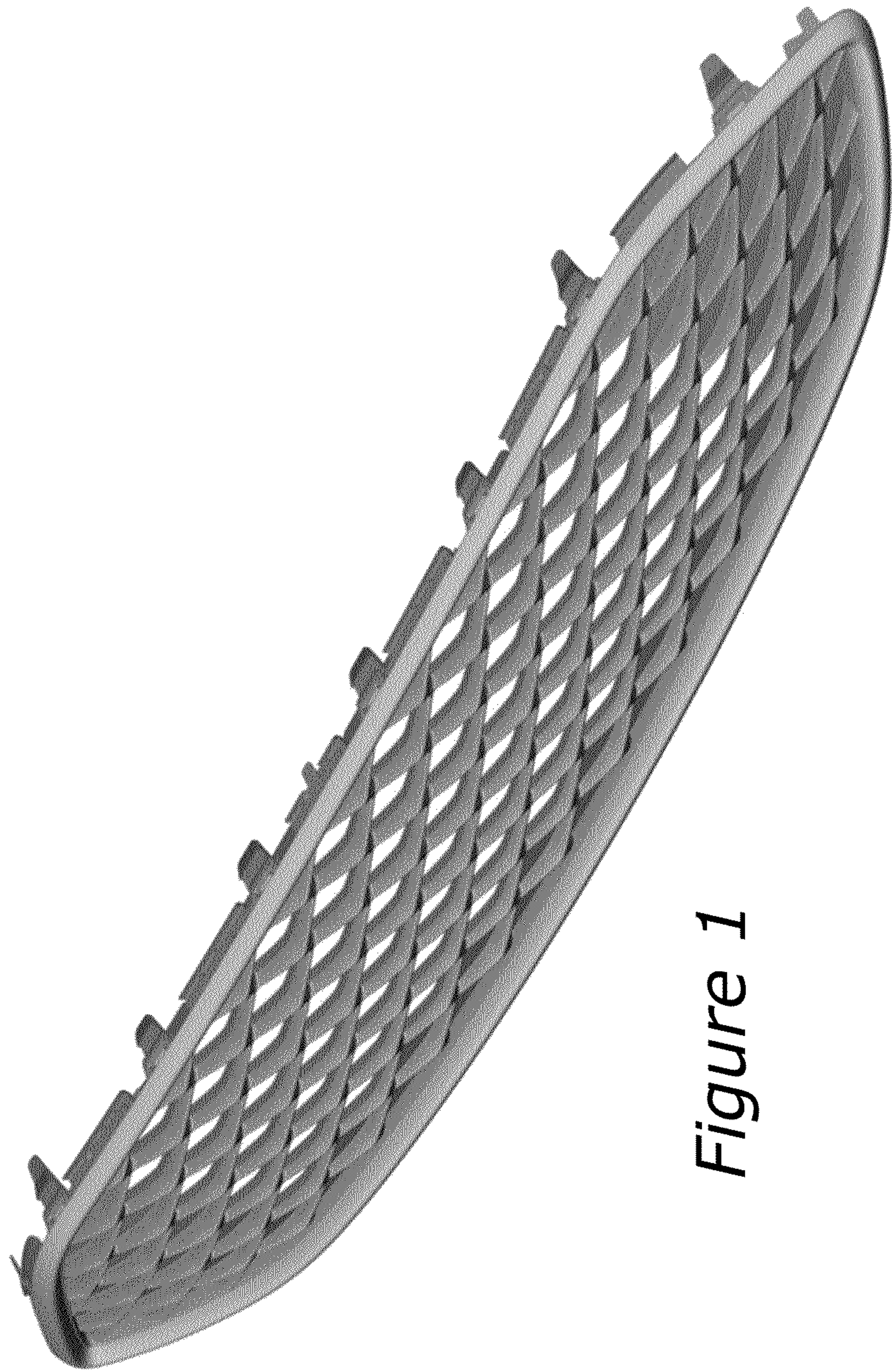


Figure 1

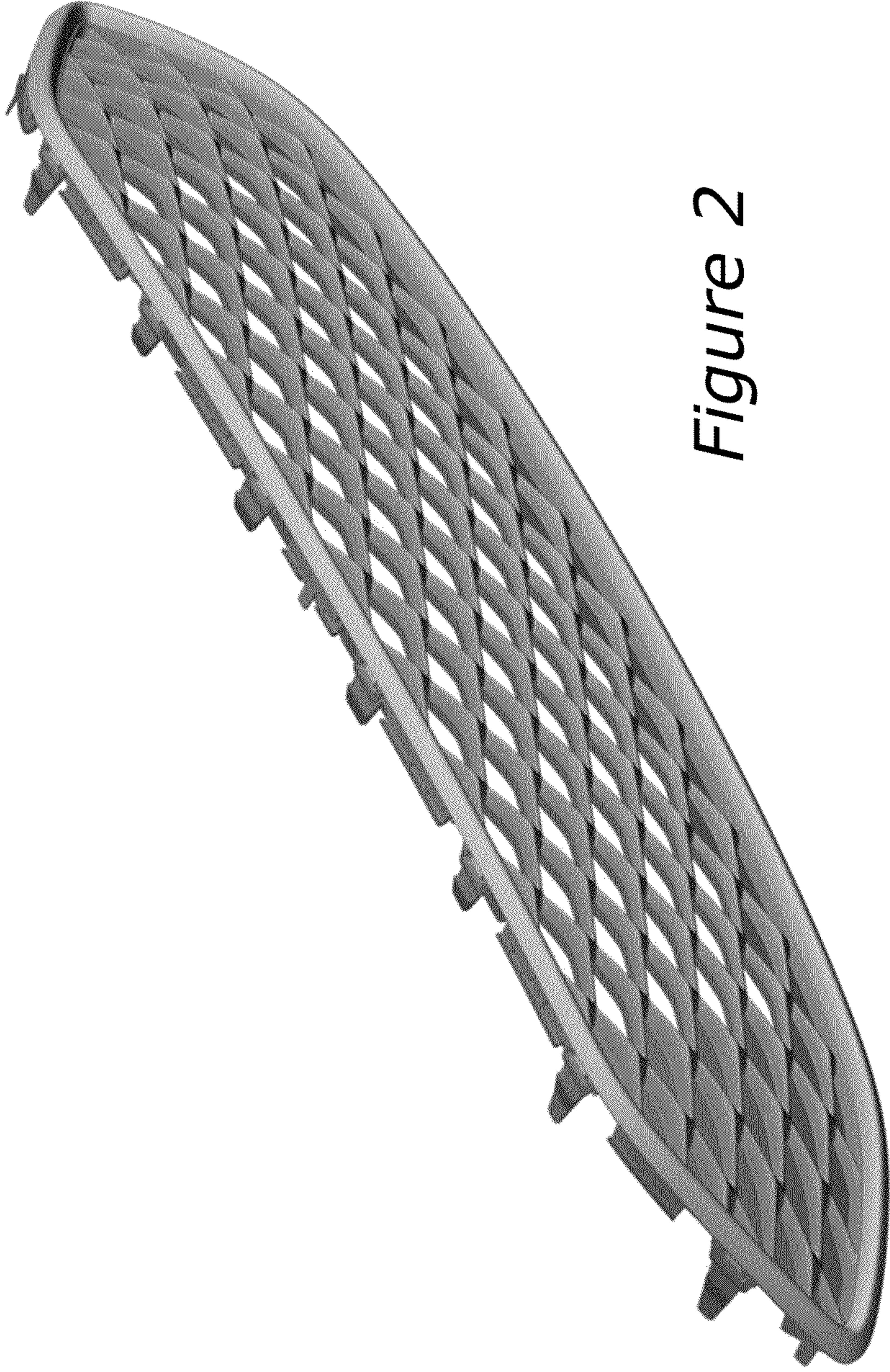


Figure 2

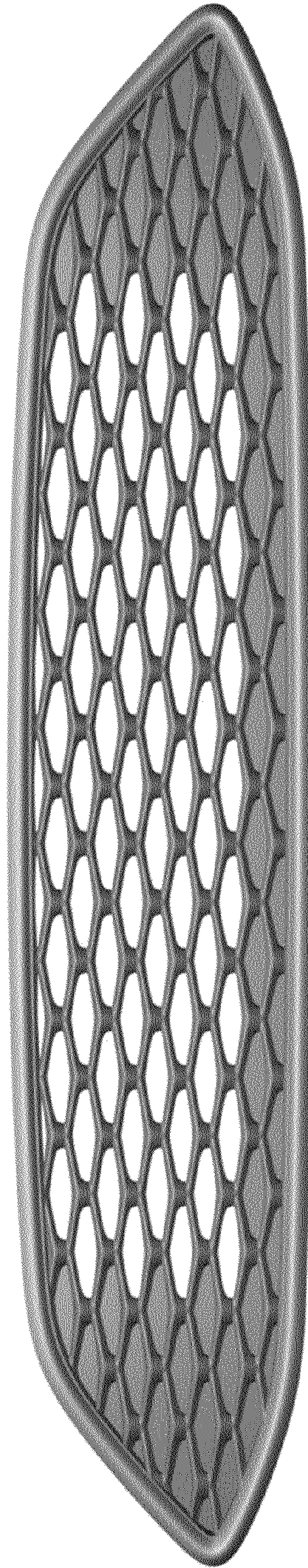


Figure 3

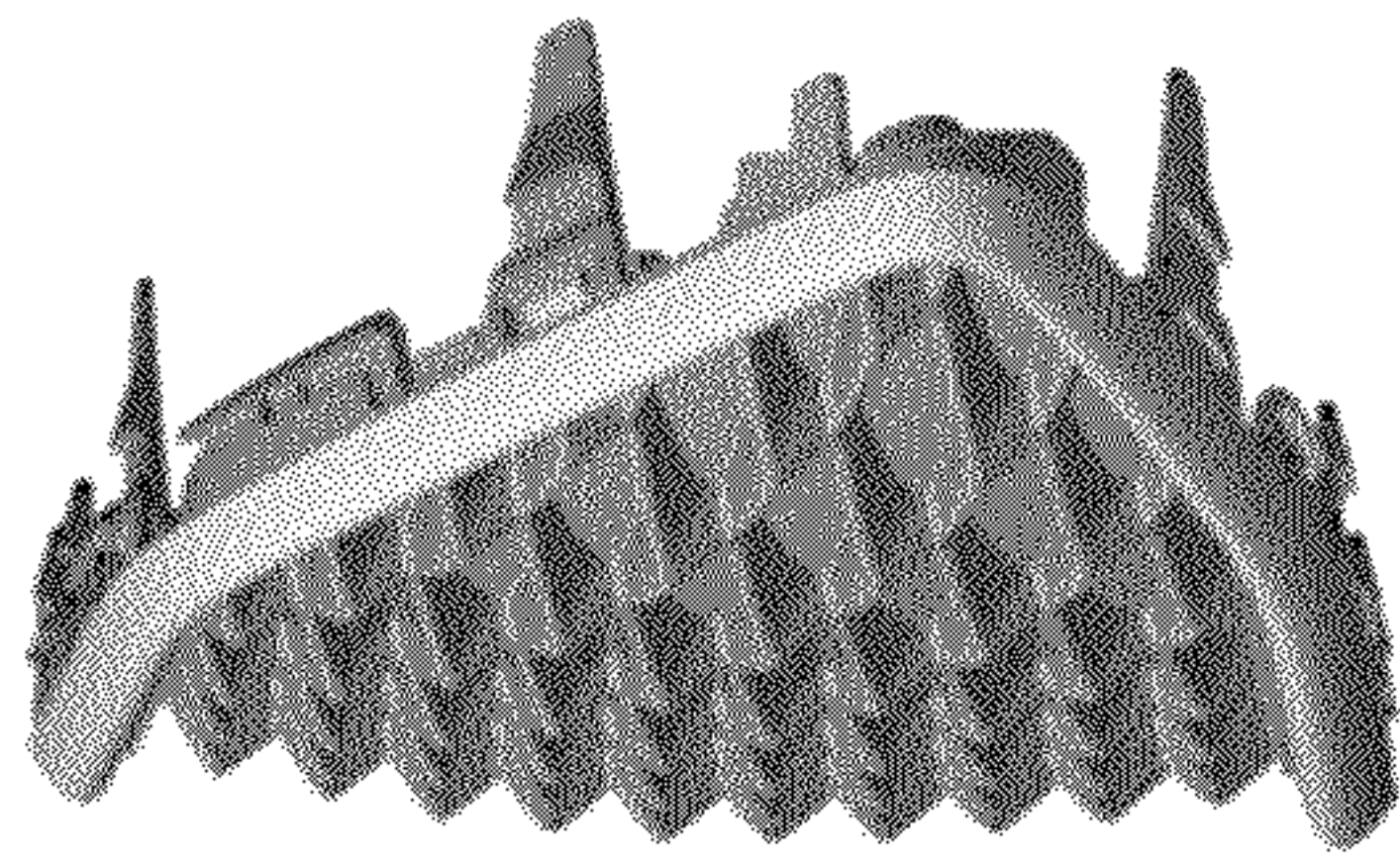


Figure 4

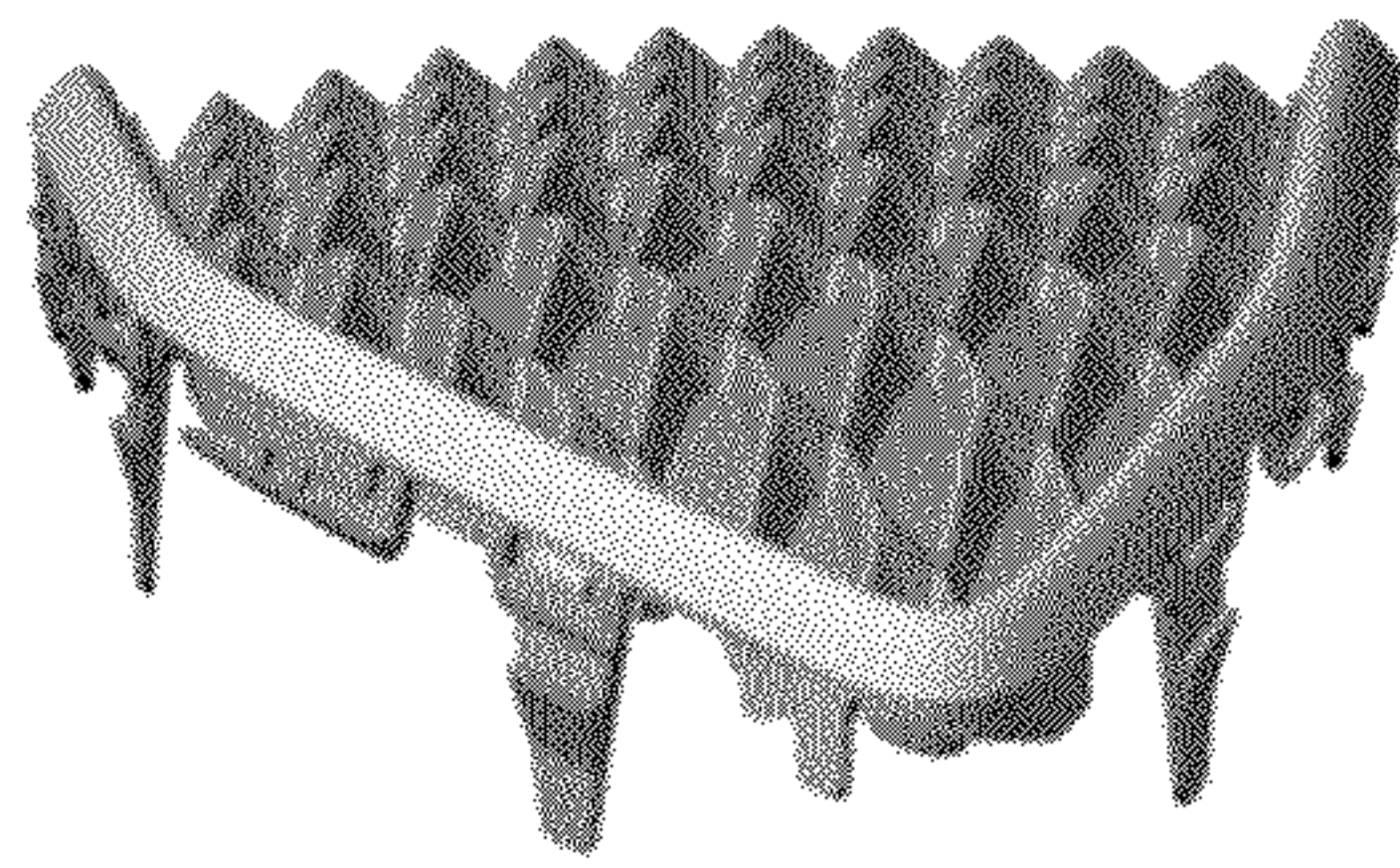


Figure 5

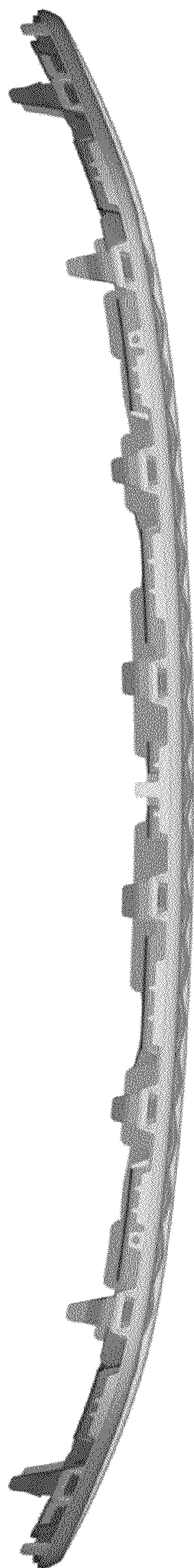


Figure 6

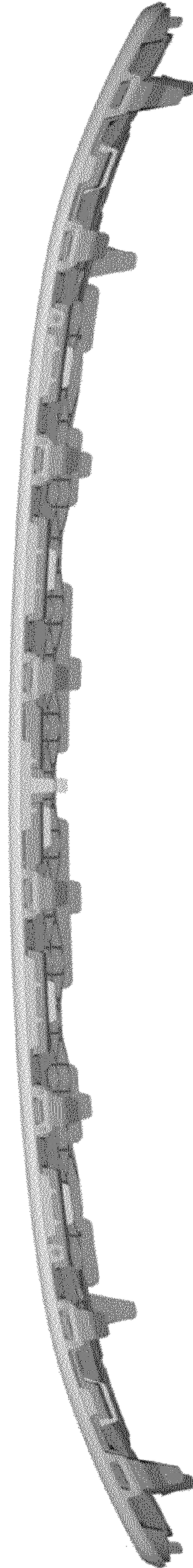


Figure 7