



US00D727219S

(12) **United States Design Patent**
Winter et al.

(10) **Patent No.:** **US D727,219 S**
(45) **Date of Patent:** **** Apr. 21, 2015**

(54) **VEHICULAR COMPONENT LINKAGE MEMBER**

(71) Applicant: **Hadley Products Corporation,**
Grandville, MI (US)

(72) Inventors: **Dick E. Winter,** Wayland, MI (US);
Robert C. Dattilo, Grand Rapids, MI (US)

(73) Assignee: **Hadley Products Corporation,**
Grandville, MI (US)

(**) Term: **14 Years**

(21) Appl. No.: **29/473,634**

(22) Filed: **Nov. 25, 2013**

(51) **LOC (10) Cl.** **12-16**

(52) **U.S. Cl.**
USPC **D12/159**

(58) **Field of Classification Search**

CPC F16F 1/02; F16F 1/36; F16F 7/003;
F16F 7/01; F16F 7/02; F16F 7/08; F16F 7/10;
F16F 7/12; F16F 7/14; B62D 1/02; B62D
1/24; B62D 21/02; B62D 21/06; B62D 21/07;
B62D 21/08; B62D 21/09; B62D 21/10;
B62D 21/11; B62D 21/12; B62D 21/14;
B62D 21/15; B62D 21/16; B62D 21/17;
B62D 21/18; B62D 27/02; B62D 27/04;
B62D 27/06
USPC 280/124.155, 124.147, 124.145,
280/124.146, 86.752, 11.225; 188/281,
188/298, 297, 315, 316, 274, 286; 267/195,
267/136, 64.15, 217; 464/173; D12/118,
D12/400, 161, 159, 160; 293/134

See application file for complete search history.

(56) **References Cited**

U.S. PATENT DOCUMENTS

3,409,318 A * 11/1968 Gottschald 403/134
4,887,486 A * 12/1989 Wood, Jr. 74/588
6,073,714 A 6/2000 McHorse et al.

(Continued)

OTHER PUBLICATIONS

Hadley Linkage Kit Blueprint (2010).

(Continued)

Primary Examiner — Michael A Pratt

(74) *Attorney, Agent, or Firm* — Warner Norcross & Judd LLP

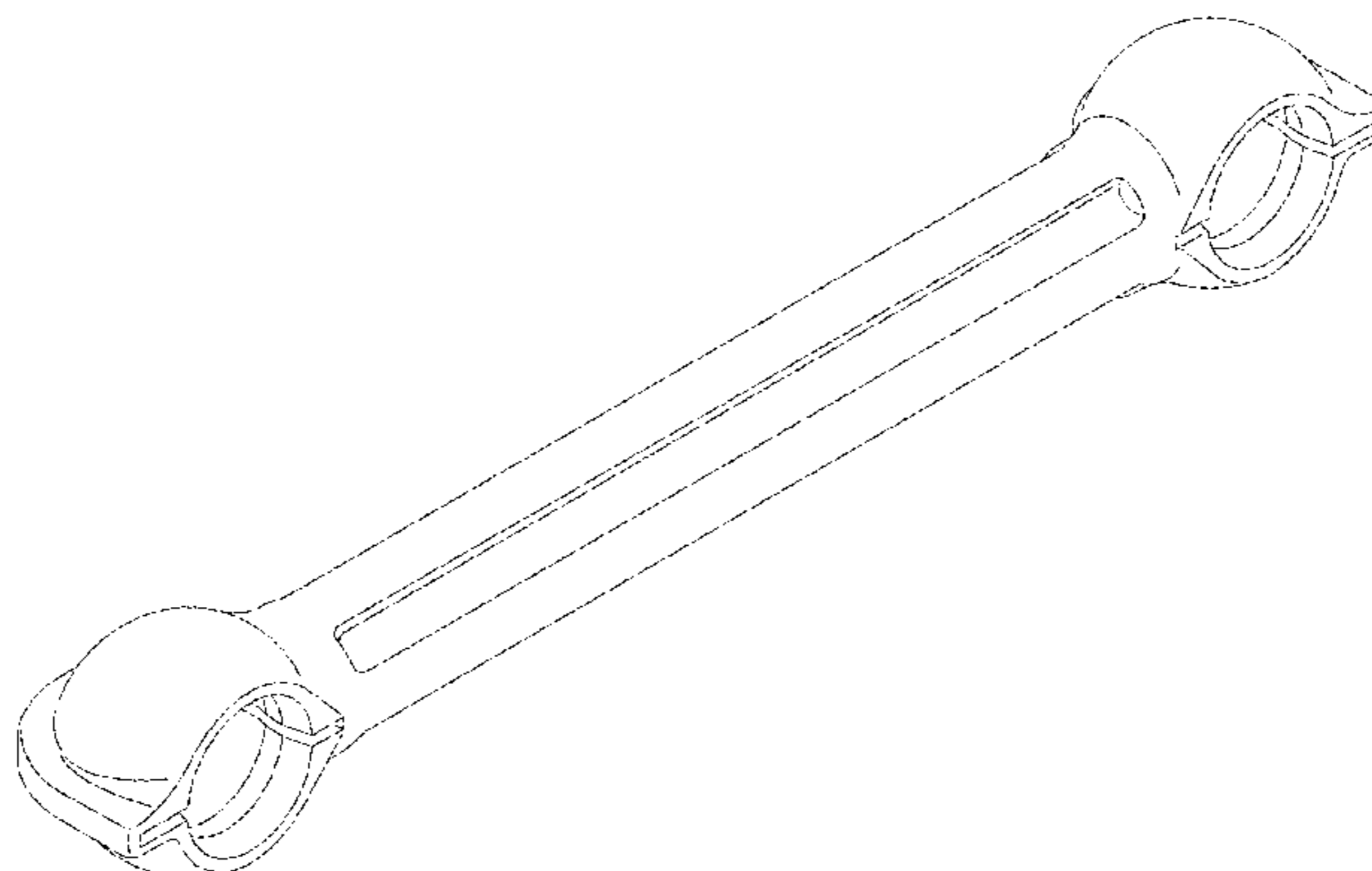
(57) **CLAIM**

The ornamental design for vehicular component linkage member, as shown and described.

DESCRIPTION

FIG. 1 is a perspective view of the vehicular component linkage member of a first embodiment of the new design; FIG. 2 is a left side view thereof; FIG. 3 is a right side view thereof; FIG. 4 is a front view thereof; FIG. 5 is a rear view thereof; FIG. 6 is a top view thereof; FIG. 7 is a bottom view thereof; FIG. 8 is a perspective view of the vehicular component linkage member of a second embodiment of the new design; FIG. 9 is a left side view thereof; FIG. 10 is a right side view thereof; FIG. 11 is a front view thereof; FIG. 12 is a rear view thereof; FIG. 13 is a top view thereof; FIG. 14 is a bottom view thereof; FIG. 15 is a perspective view of the vehicular component linkage member of a third embodiment of the new design; FIG. 16 is a left side view thereof; FIG. 17 is a right side view thereof; FIG. 18 is a front view thereof; FIG. 19 is a rear view thereof; FIG. 20 is a top view thereof; and, FIG. 21 is a bottom view thereof.

1 Claim, 9 Drawing Sheets



(56)

References Cited

U.S. PATENT DOCUMENTS

6,109,381 A 8/2000 Stuyvenberg et al.
6,168,229 B1 1/2001 Kooi et al.
6,206,121 B1 3/2001 Michel
6,540,038 B2 4/2003 Taylor et al.
6,573,659 B2 6/2003 Toma et al.
6,644,632 B1 11/2003 Jaberg
7,036,233 B1 * 5/2006 Schindler 33/1 PT

7,216,925 B1 5/2007 Abele et al.
7,963,536 B2 * 6/2011 Budde 280/93.51
2007/0256659 A1 * 11/2007 Anderson et al. 123/198 R
2012/0212041 A1 * 8/2012 Hachet 301/124.1

OTHER PUBLICATIONS

Hadley Parts Bag (1997).
Hadley Parts Bag Link (1993).

* cited by examiner

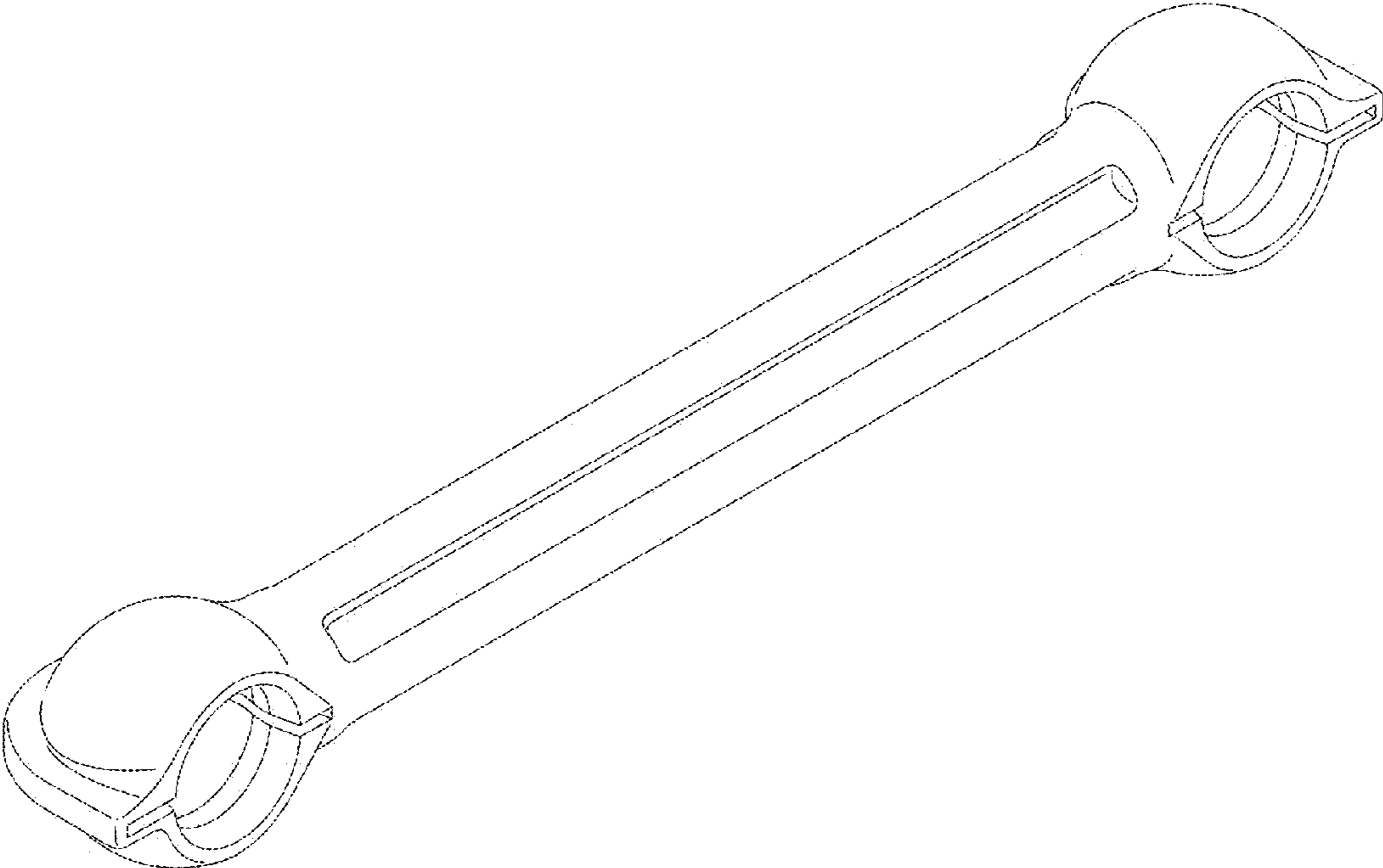


Fig. 1

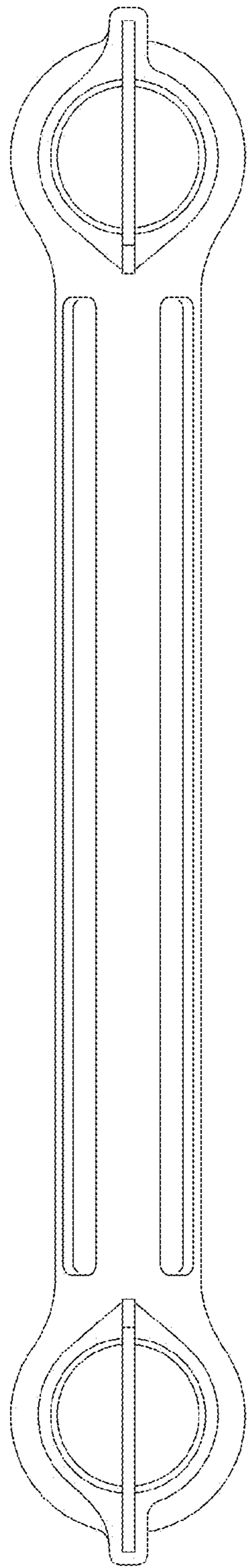


Fig. 2

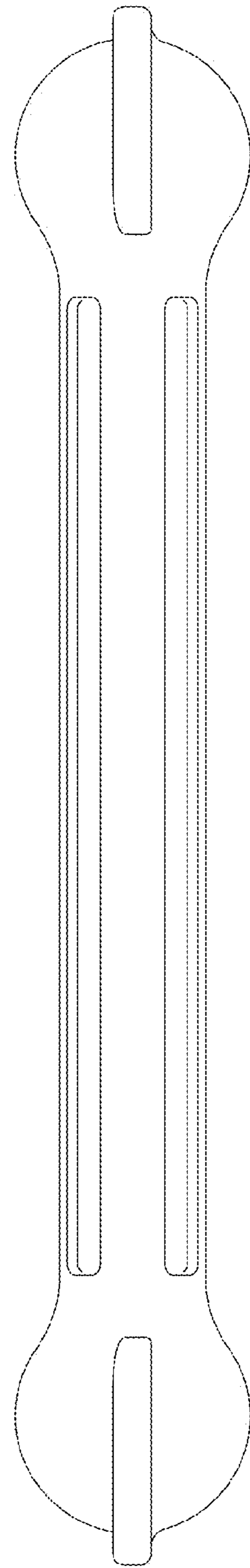


Fig. 3

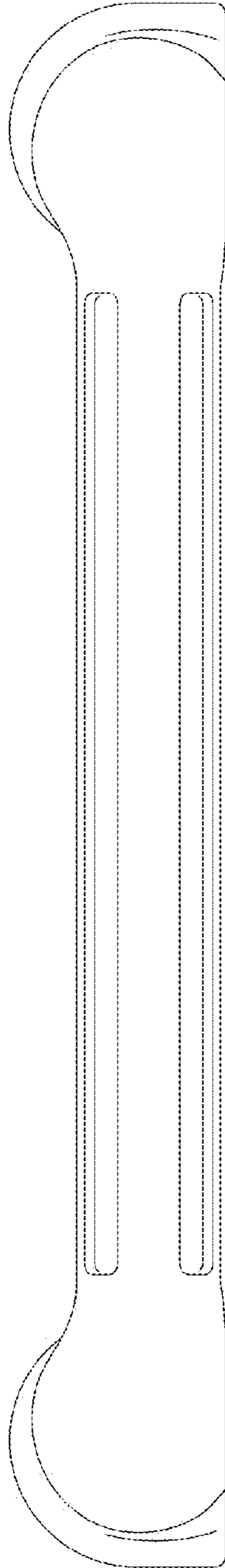


Fig. 4

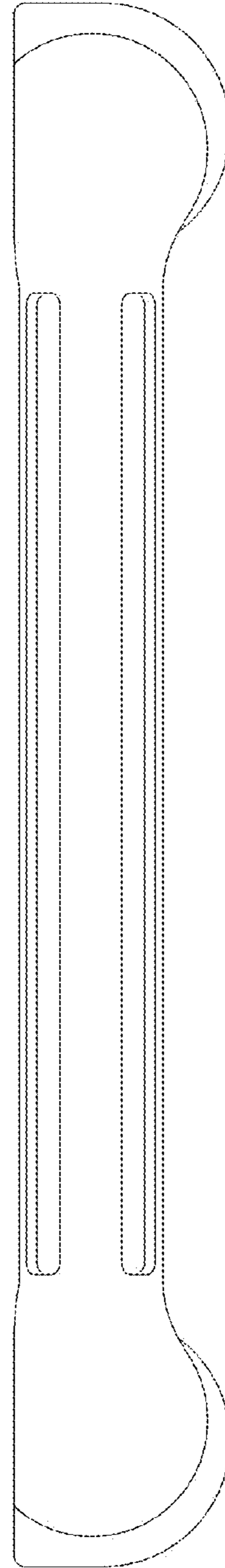


Fig. 5

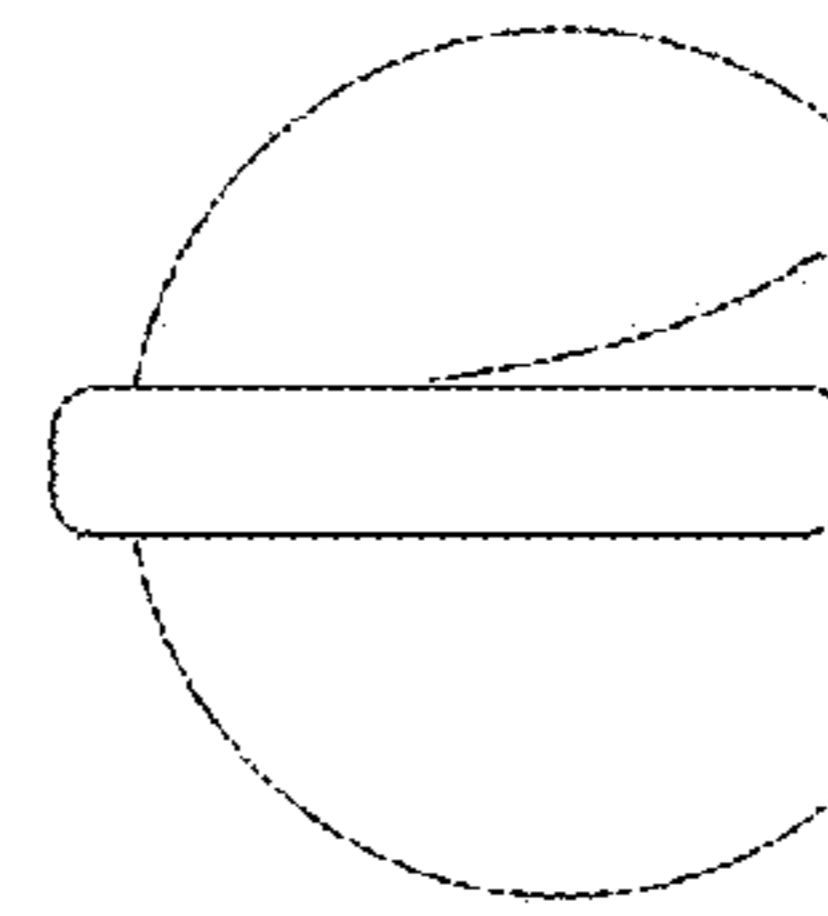


Fig. 6

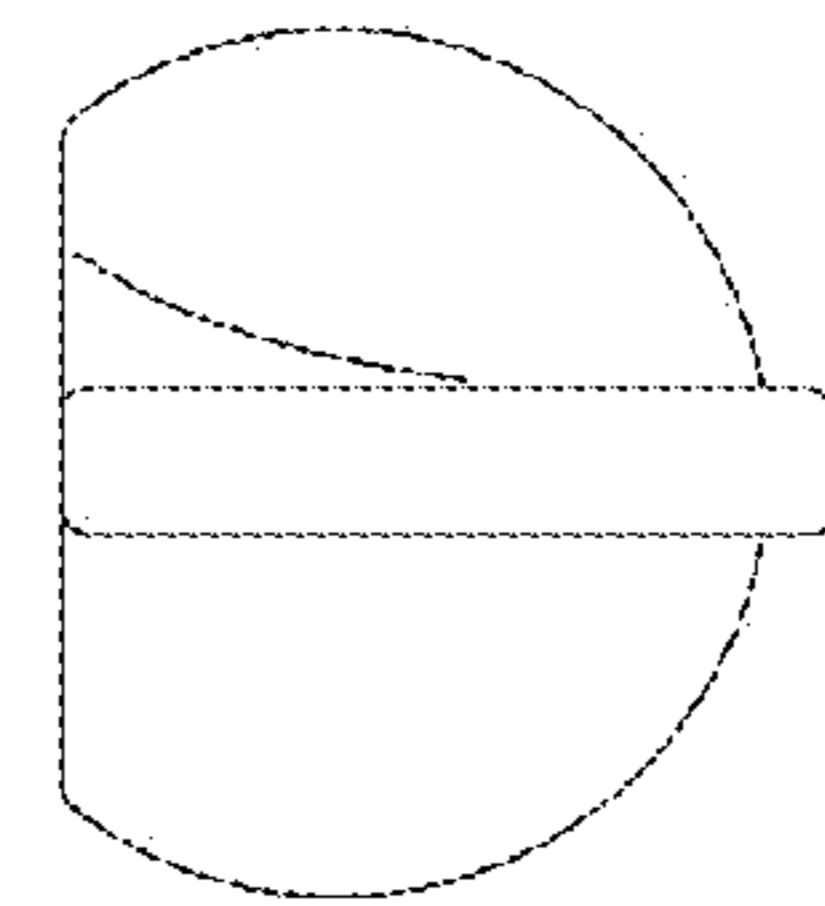


Fig. 7

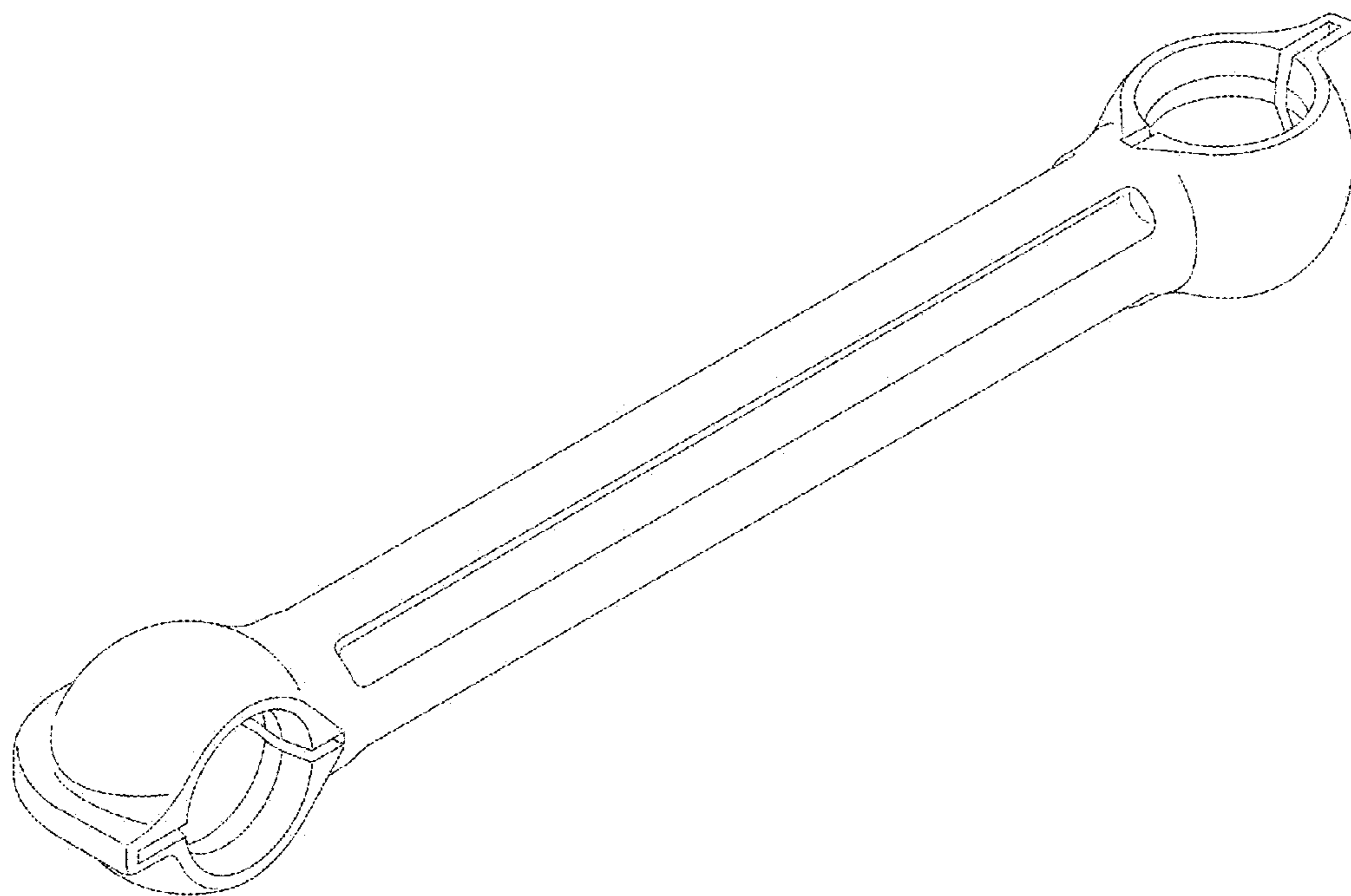


Fig. 8

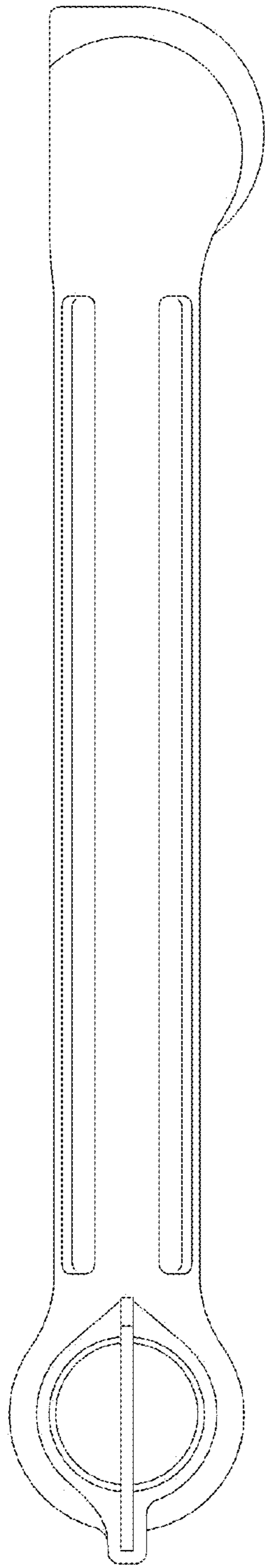


Fig. 9

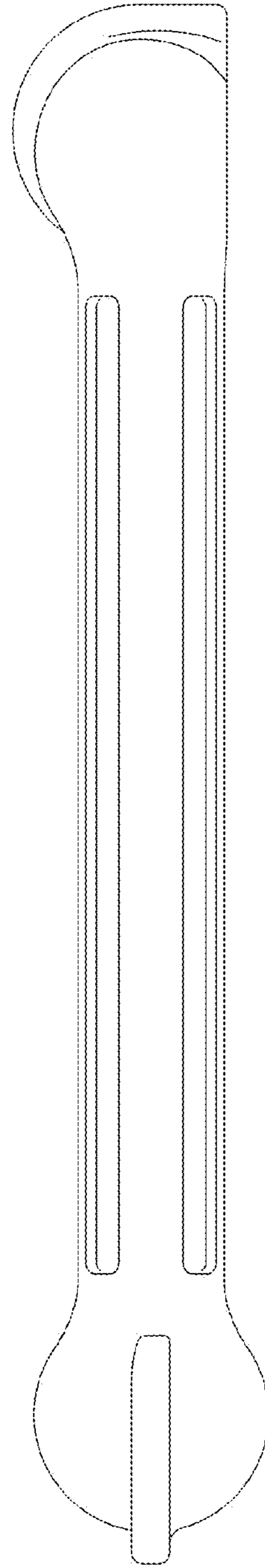


Fig. 10

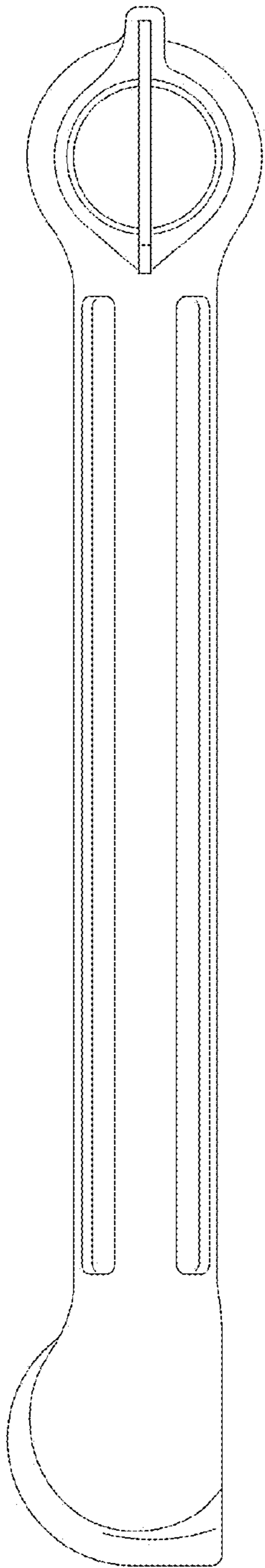


Fig. 11

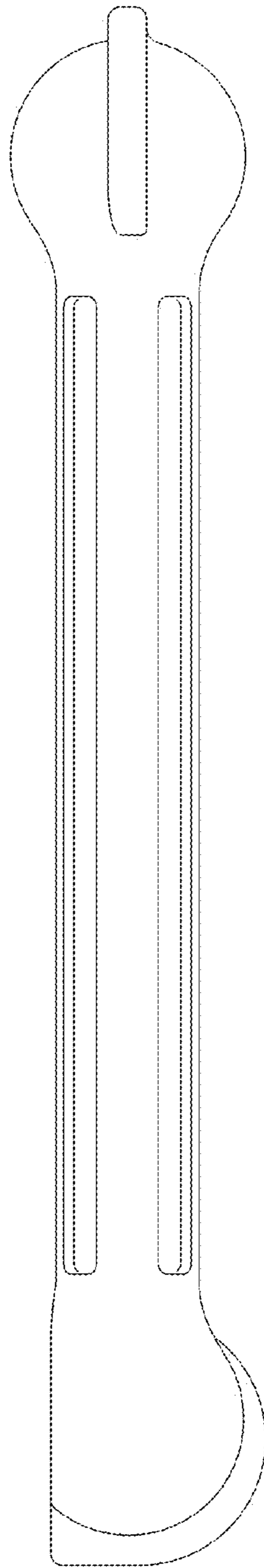


Fig. 12

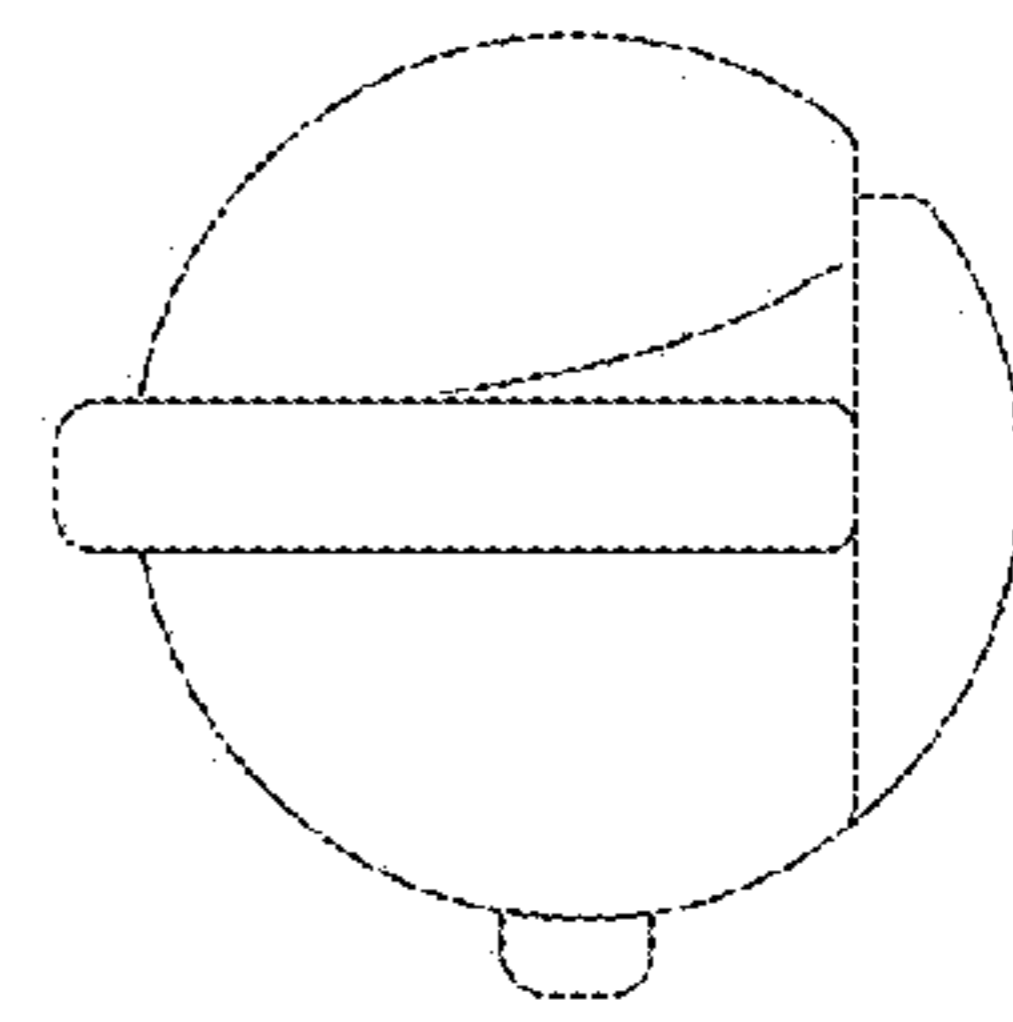


Fig. 13

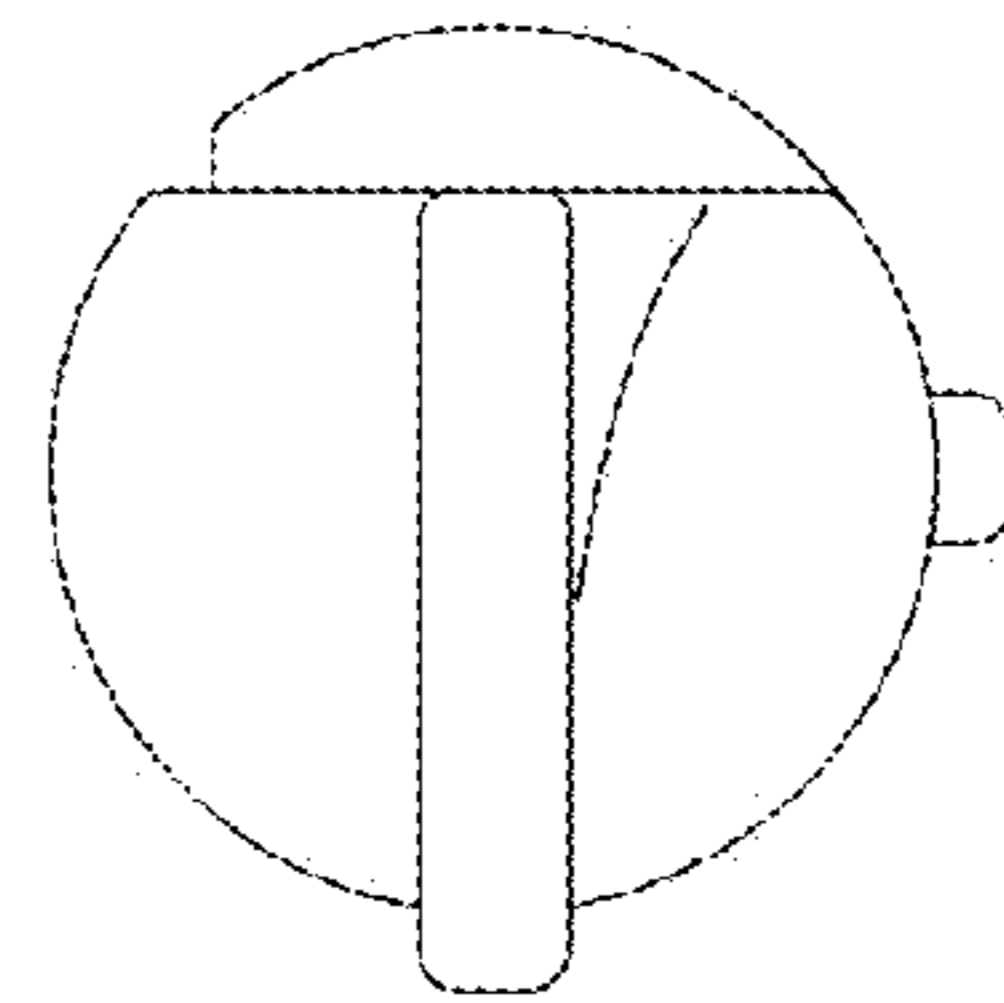


Fig. 14

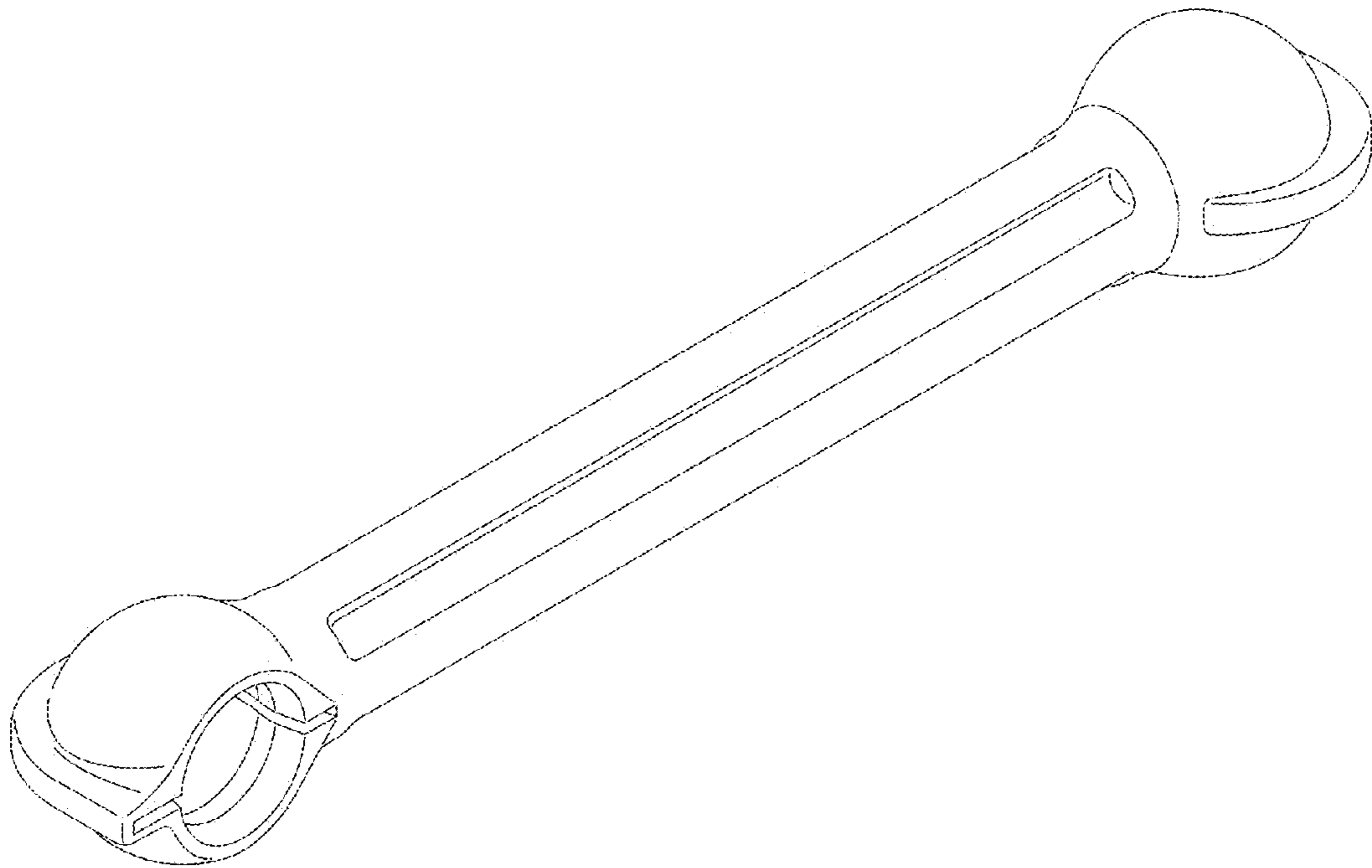


Fig. 15

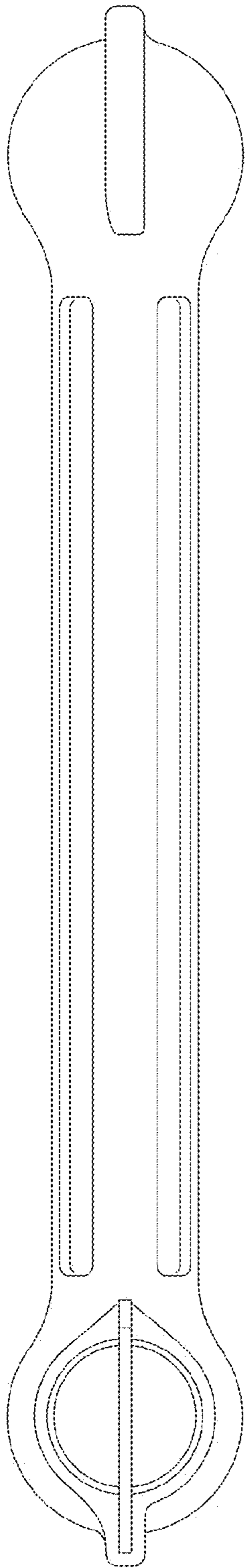


Fig. 16

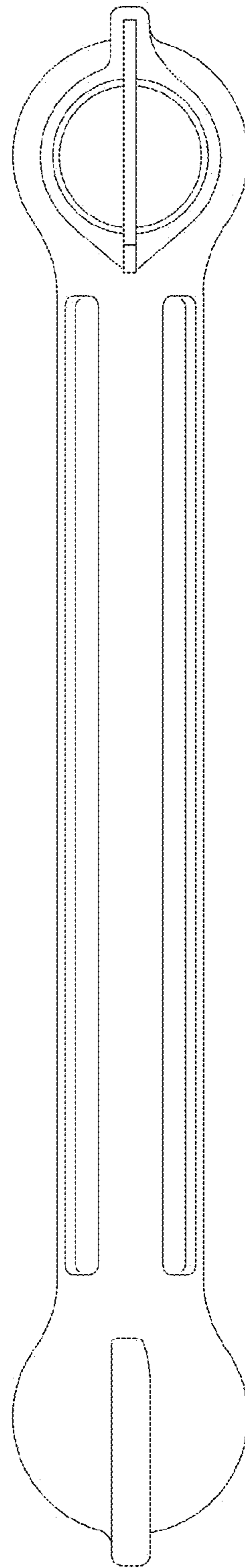


Fig. 17

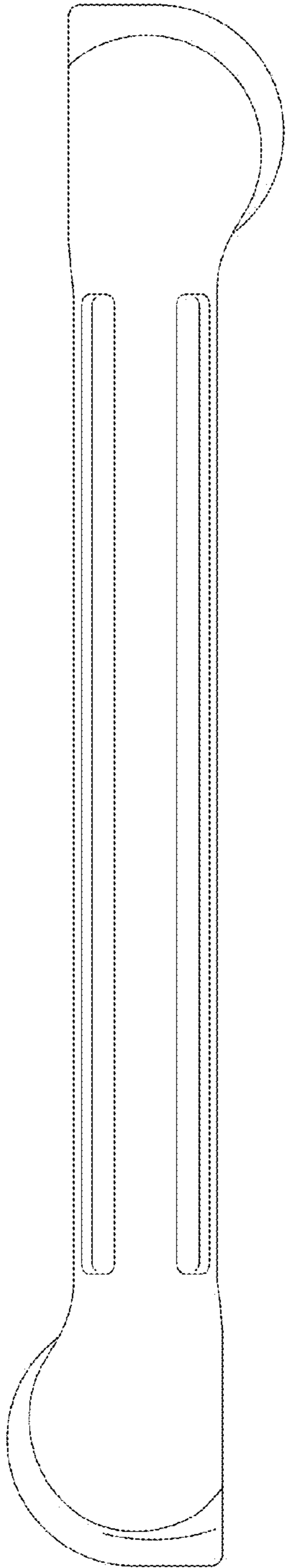


Fig. 18

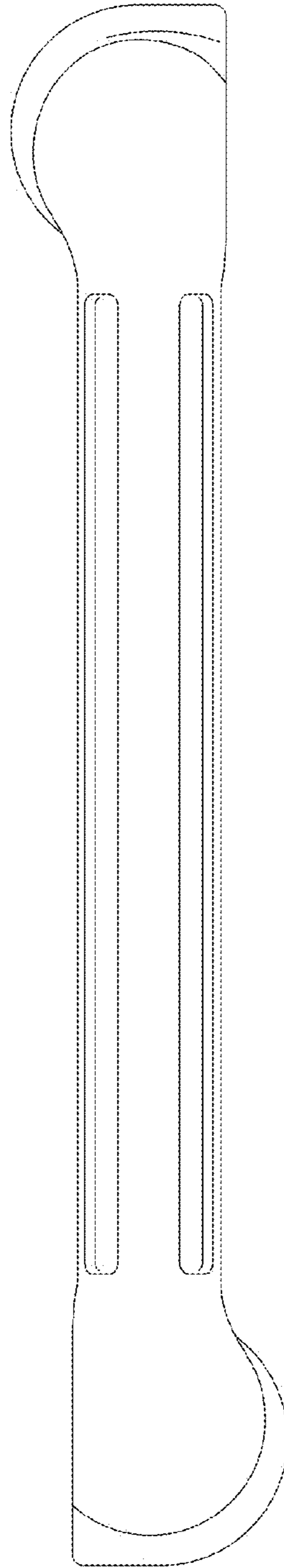


Fig. 19

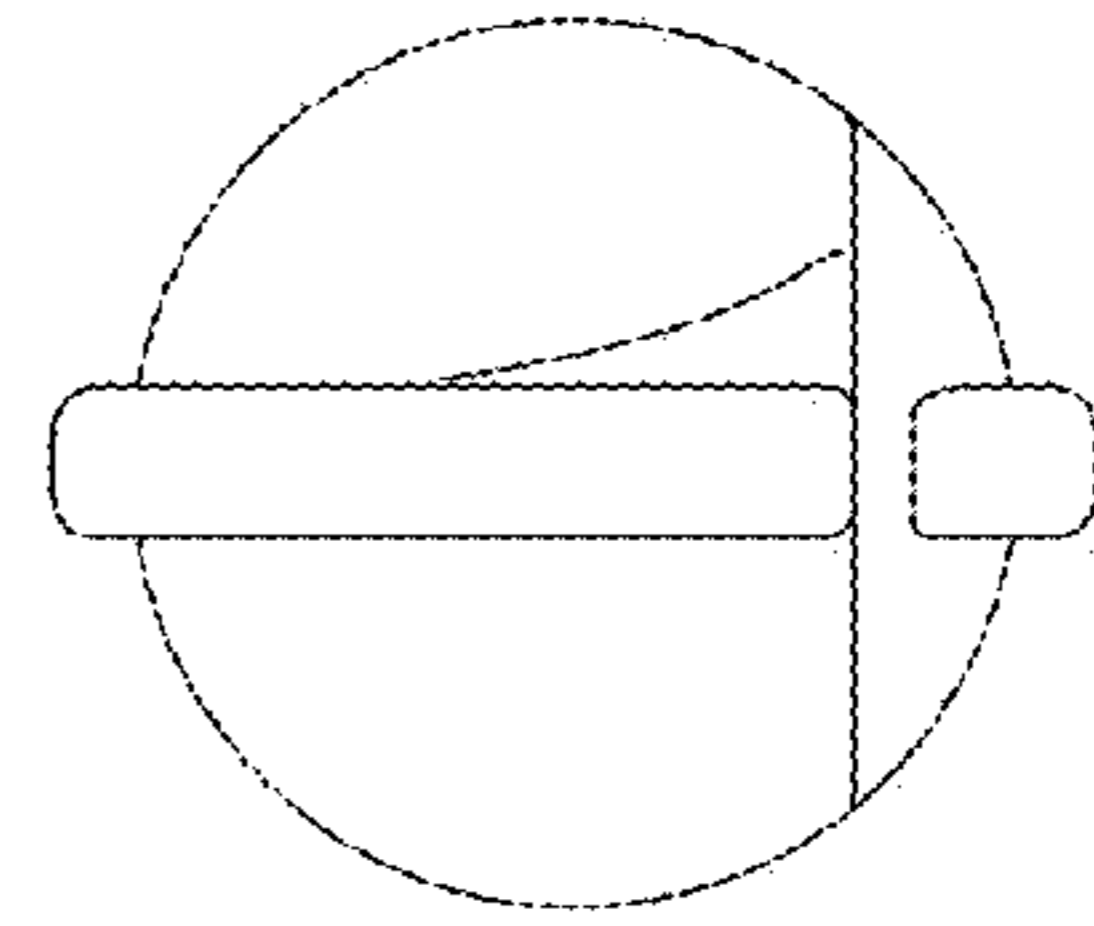


Fig. 20

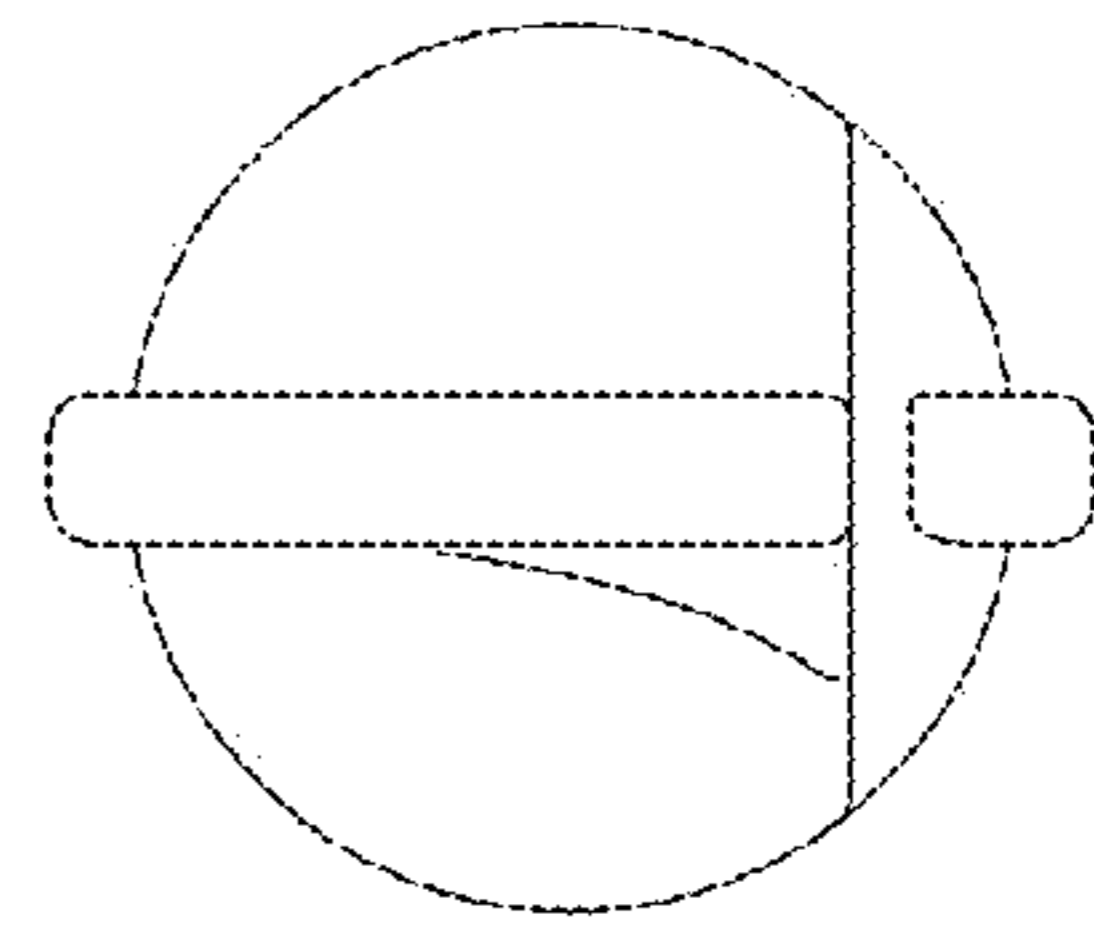


Fig. 21