



US00D727217S

(12) **United States Design Patent**
Brown, Jr. et al.

(10) **Patent No.:** **US D727,217 S**
(45) **Date of Patent:** **** Apr. 21, 2015**

(54) **LEG RIGGING CLIP**

(71) Applicant: **Medline Industries, Inc.**, Mundelein, IL (US)

(72) Inventors: **Corbett Brown, Jr.**, Round Lake Park, IL (US); **Zhiliang Wang**, Zhongshan (CN)

(73) Assignee: **Medline Industries, Inc.**, Mundelein, IL (US)

(**) Term: **14 Years**

(21) Appl. No.: **29/486,545**

(22) Filed: **Mar. 31, 2014**

Related U.S. Application Data

(63) Continuation of application No. 29/440,187, filed on Dec. 19, 2012, now Pat. No. Des. 701,795.

(51) **LOC (10) Cl.** **12-12**

(52) **U.S. Cl.**
USPC **D12/133**

(58) **Field of Classification Search**
USPC D12/128-133; 280/62, 647-650, 29, 280/200, 47.38, 250.1, 259, 642, 658, 280/304.1; 128/99.1, 100.1, 102.1, 876, 128/877; 301/111.01; D8/72, 394; 403/133, 403/316

See application file for complete search history.

(56) **References Cited**

U.S. PATENT DOCUMENTS

D235,731 S * 7/1975 Habuda et al. D8/394
5,074,574 A 12/1991 Carwin
5,580,184 A 12/1996 Riccitelli
D388,750 S * 1/1998 Williams D12/133
5,743,671 A 4/1998 Williams
D393,998 S 5/1998 Anderson

D407,301 S * 3/1999 Donalies D8/382
D413,842 S 9/1999 Garven, Jr.
D423,993 S 5/2000 Slagerman
D423,994 S 5/2000 Helwig
D452,665 S * 1/2002 Yeh et al. D12/133
6,520,598 B1 2/2003 Cheng
D573,861 S 7/2008 Hammer et al.
D577,634 S * 9/2008 Lundh D12/133
D631,403 S 1/2011 Knopf
D701,795 S * 4/2014 Brown et al. D12/133

* cited by examiner

Primary Examiner — Ian Simmons

Assistant Examiner — Charles Hanson

(74) *Attorney, Agent, or Firm* — Fitch Even Tabin & Flannery LLP

(57) **CLAIM**

We claim the ornamental design for a leg rigging clip, as shown and described.

DESCRIPTION

FIG. 1 is a perspective view of a leg rigging clip in accordance with a first embodiment of our new design;
FIG. 2 is a top plan view thereof;
FIG. 3 is a front elevational view thereof;
FIG. 4 is a rear elevational view thereof;
FIG. 5 is a bottom plan view thereof;
FIG. 6 is a left side elevational view thereof;
FIG. 7 is a right side elevational view thereof;
FIG. 8 is a perspective view of a leg rigging clip in accordance with a second embodiment of our new design;
FIG. 9 is a top plan view thereof;
FIG. 10 is a front elevational view thereof;
FIG. 11 is a rear elevational view thereof;
FIG. 12 is a bottom plan view thereof;
FIG. 13 is a right side elevational view thereof; and,
FIG. 14 is a left side elevational view thereof.
The broken lines depict unclaimed environmental subject matter and form no part of the claim.

1 Claim, 4 Drawing Sheets

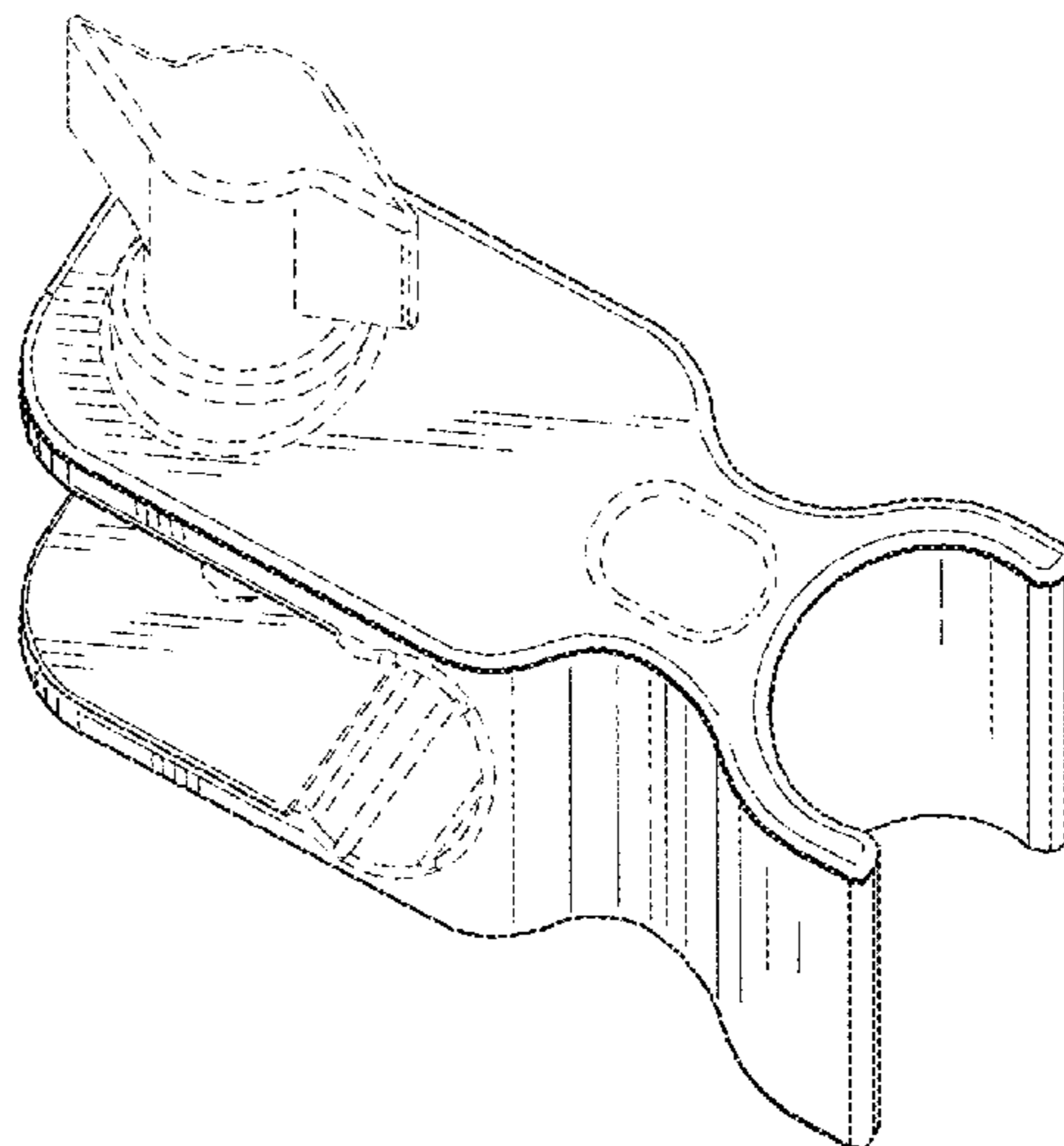
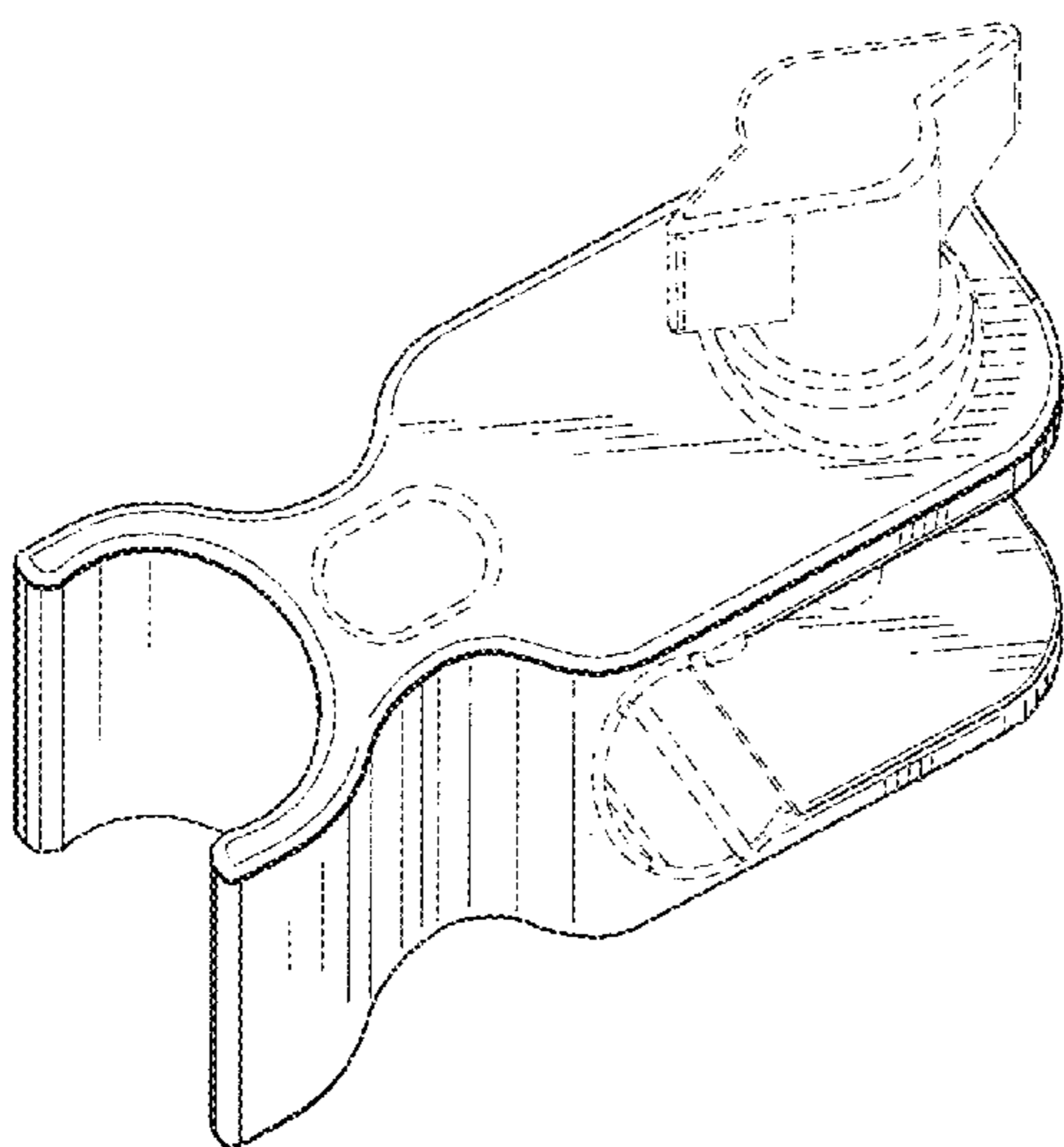


FIG. 1

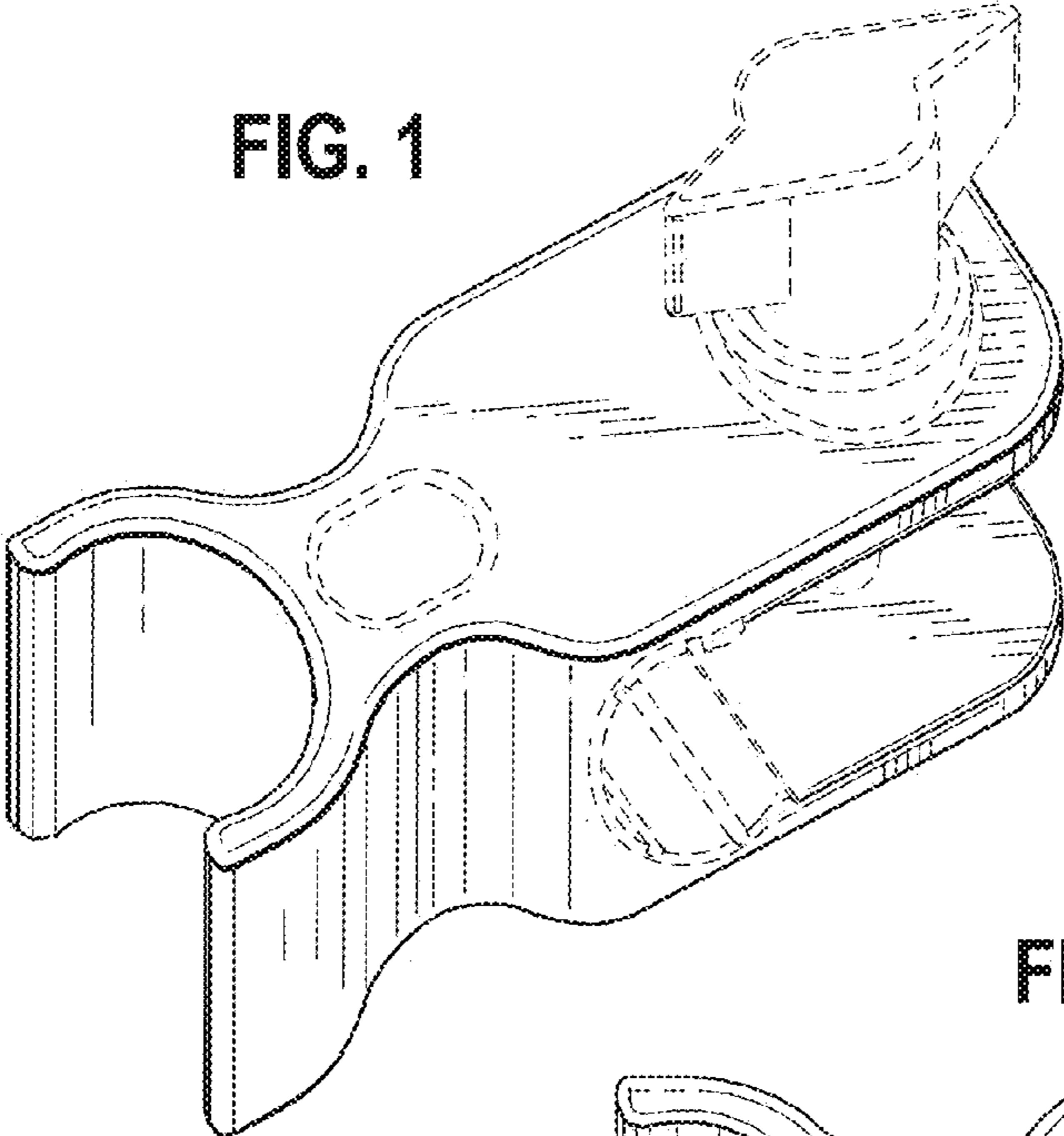


FIG. 2

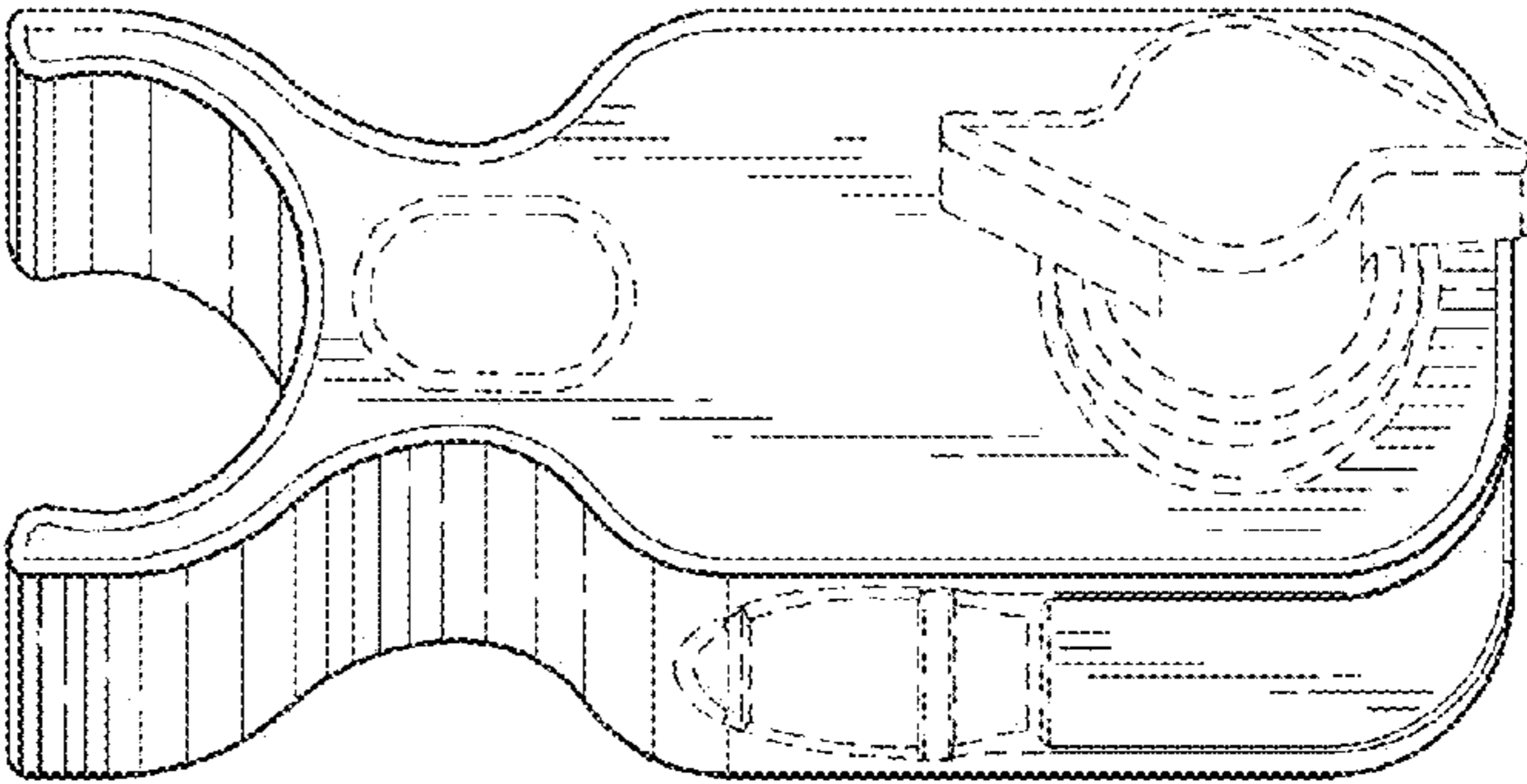


FIG. 3

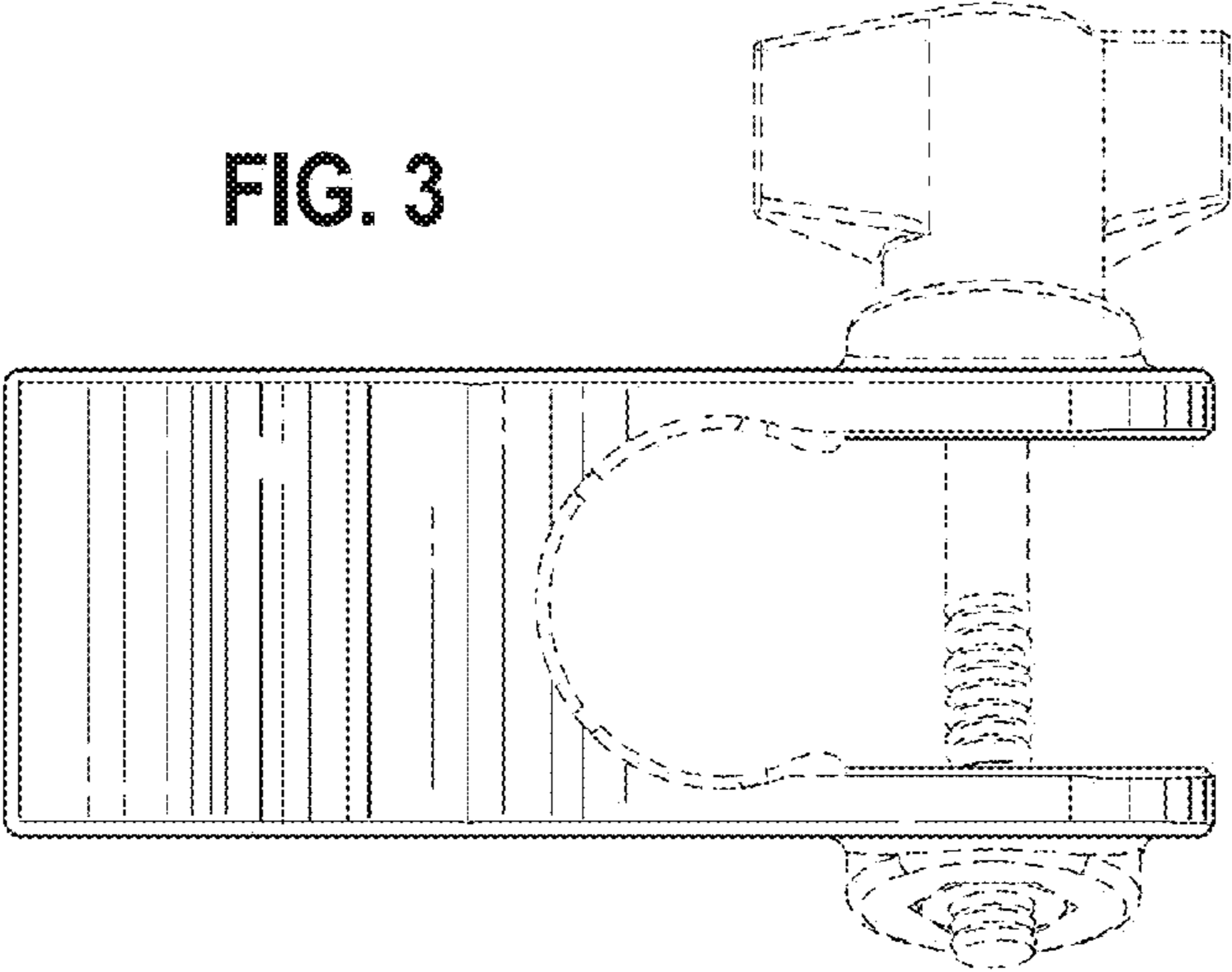


FIG. 4

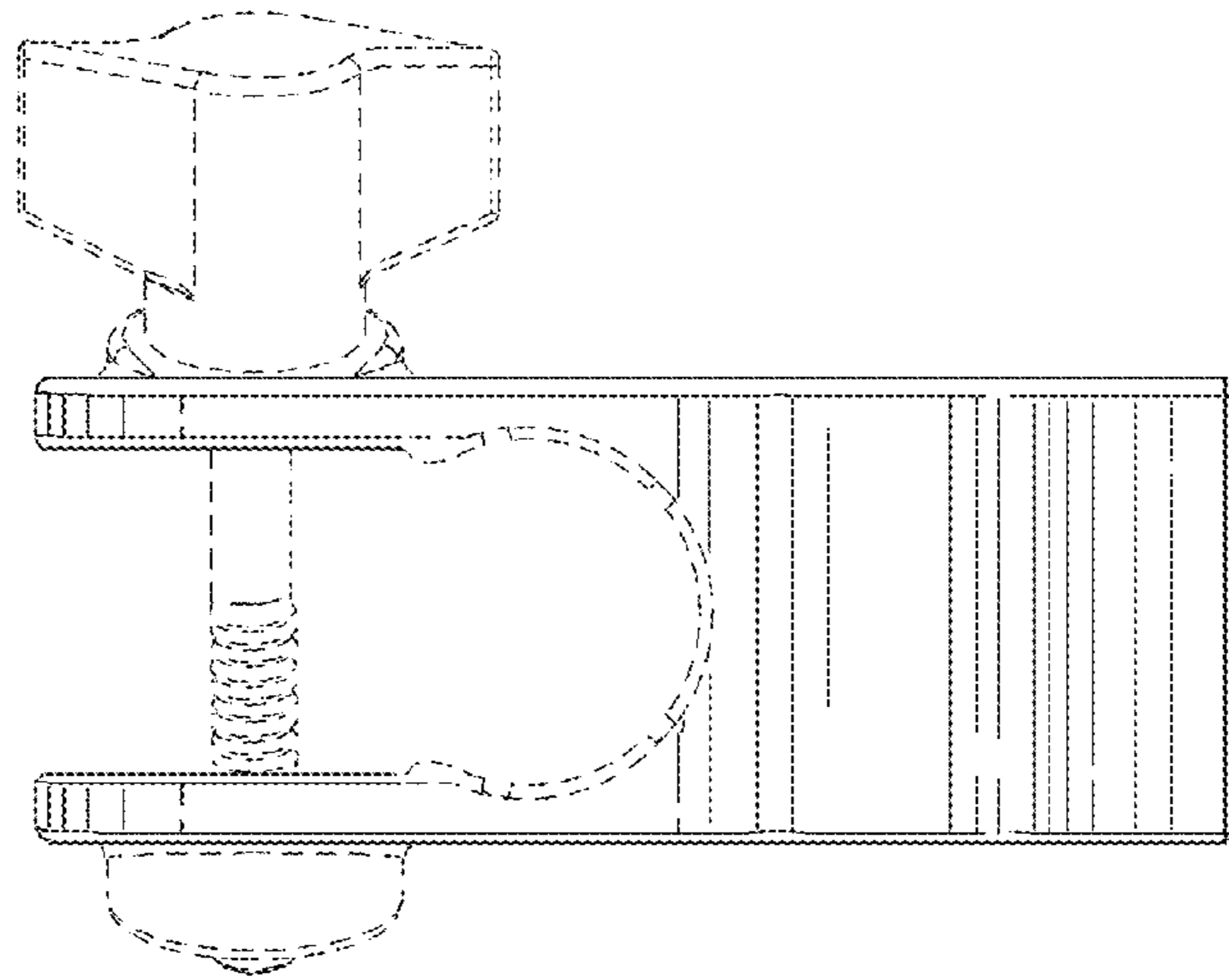


FIG. 5

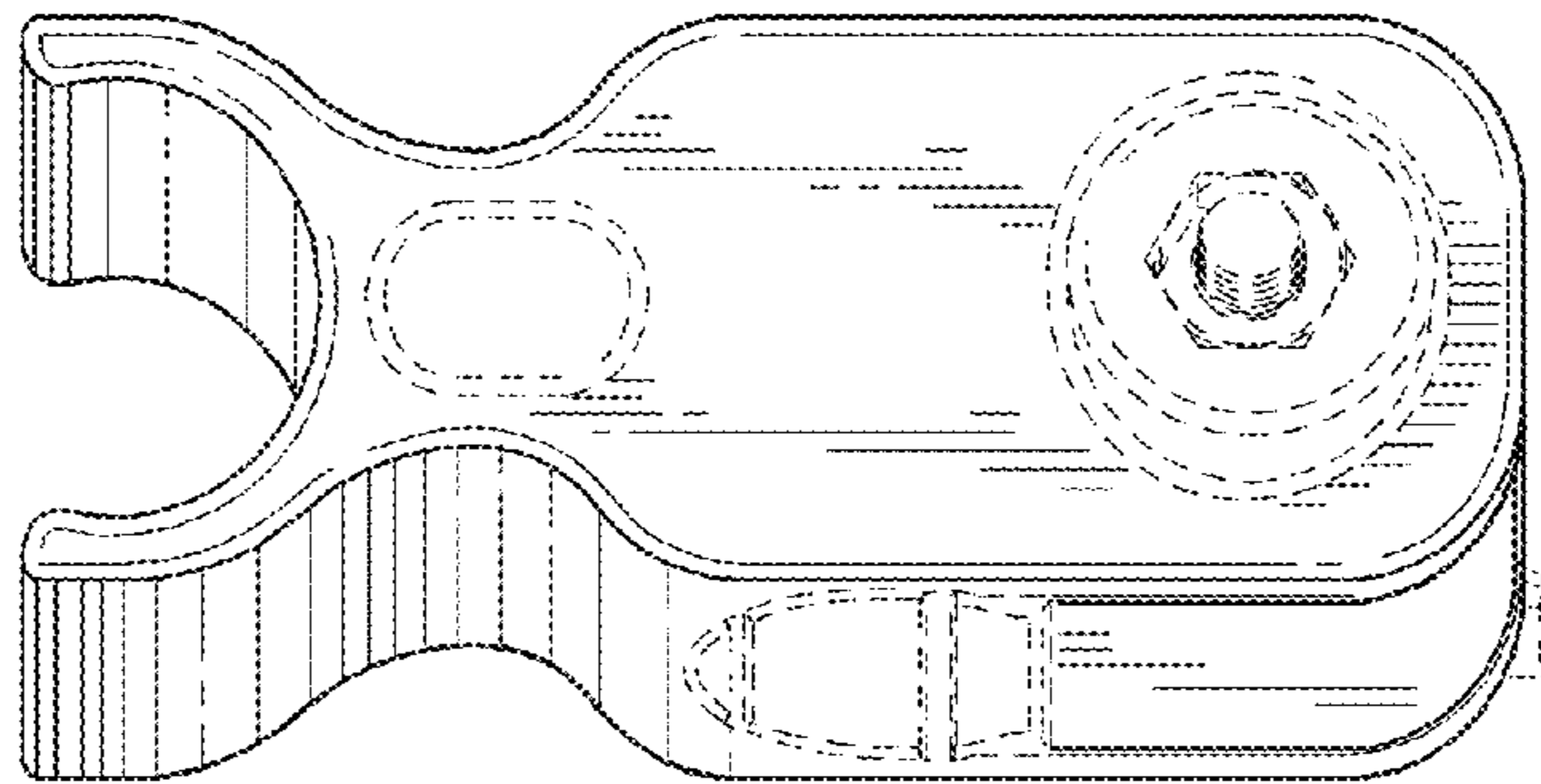


FIG. 6

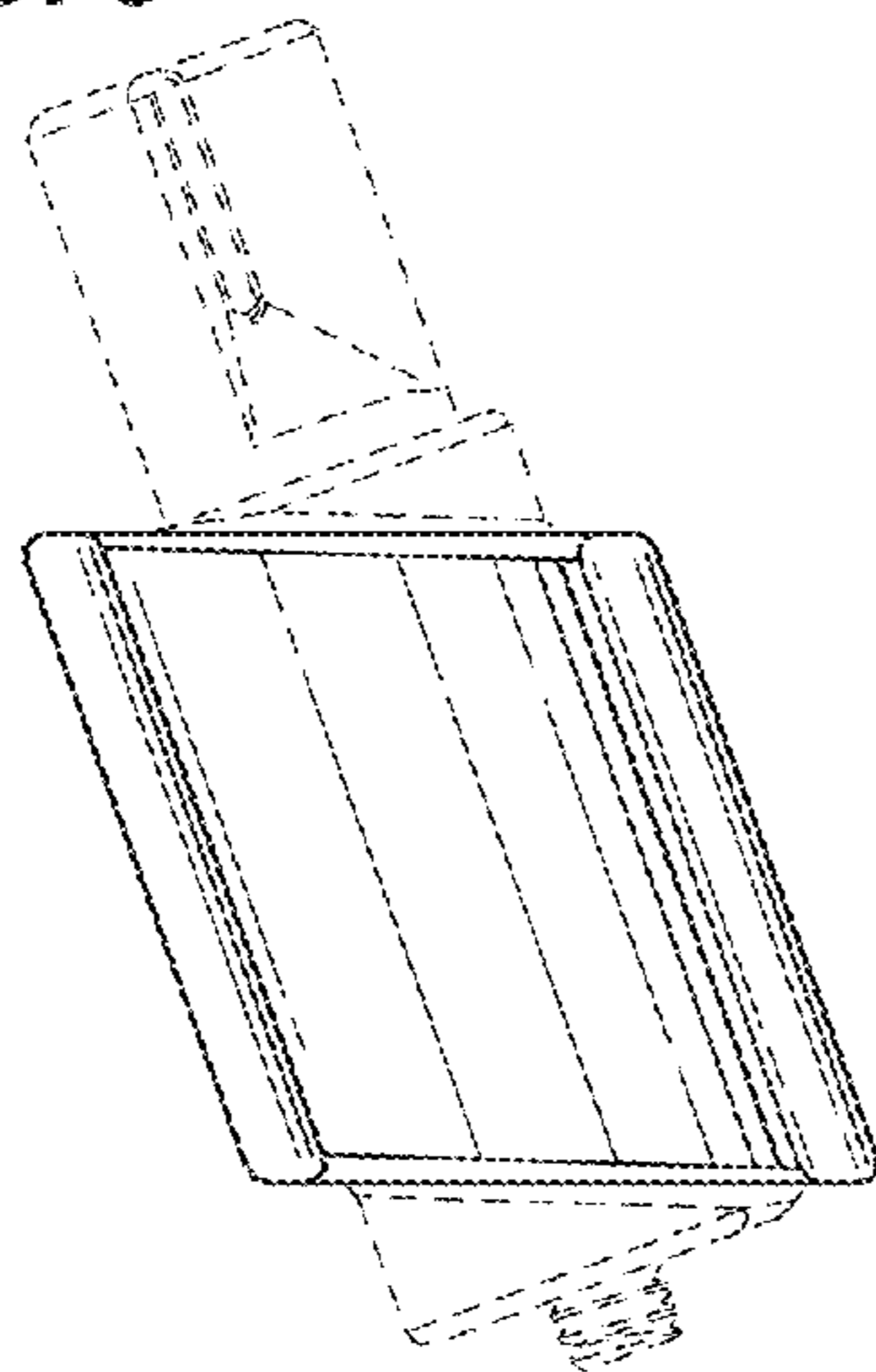
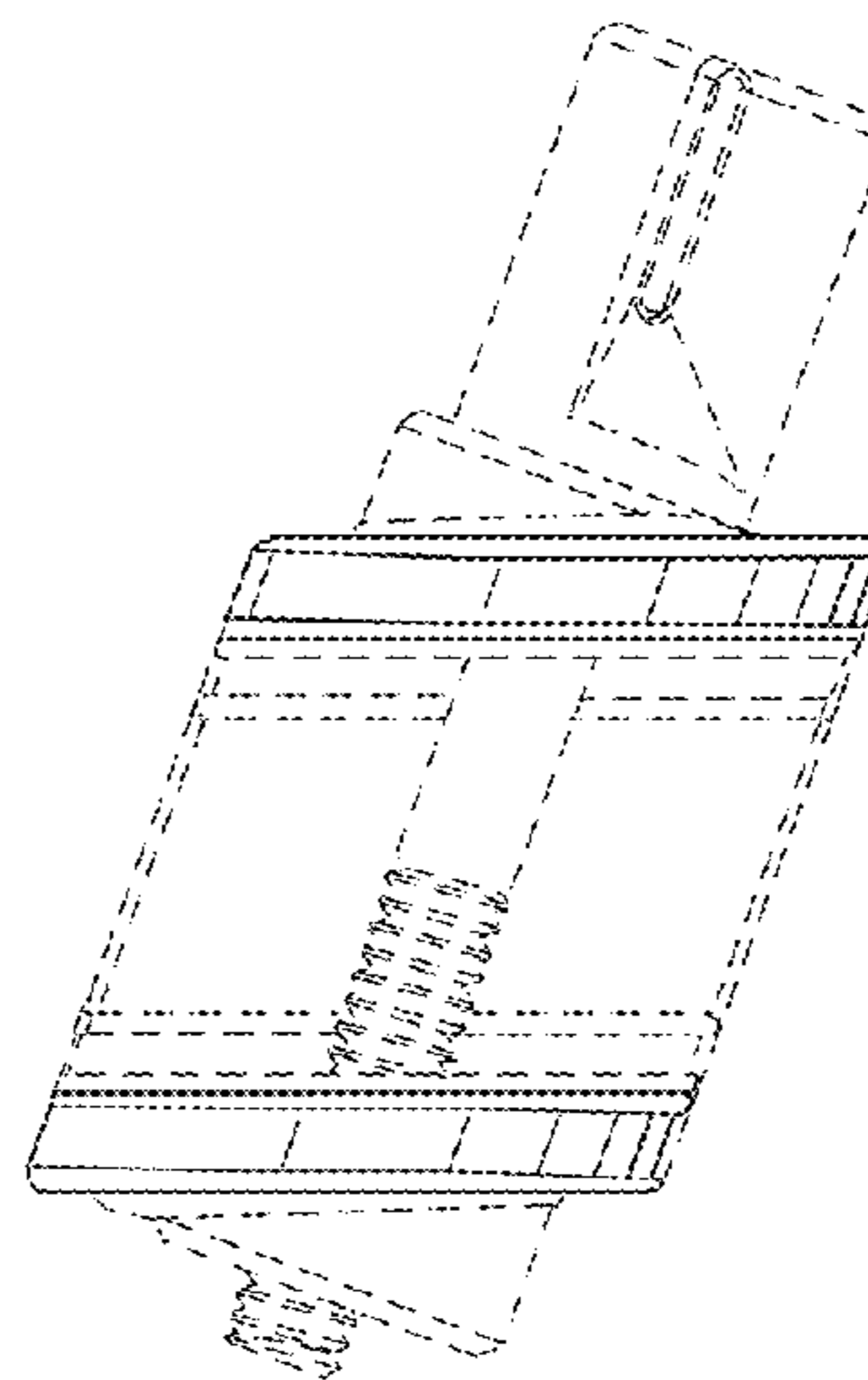


FIG. 7



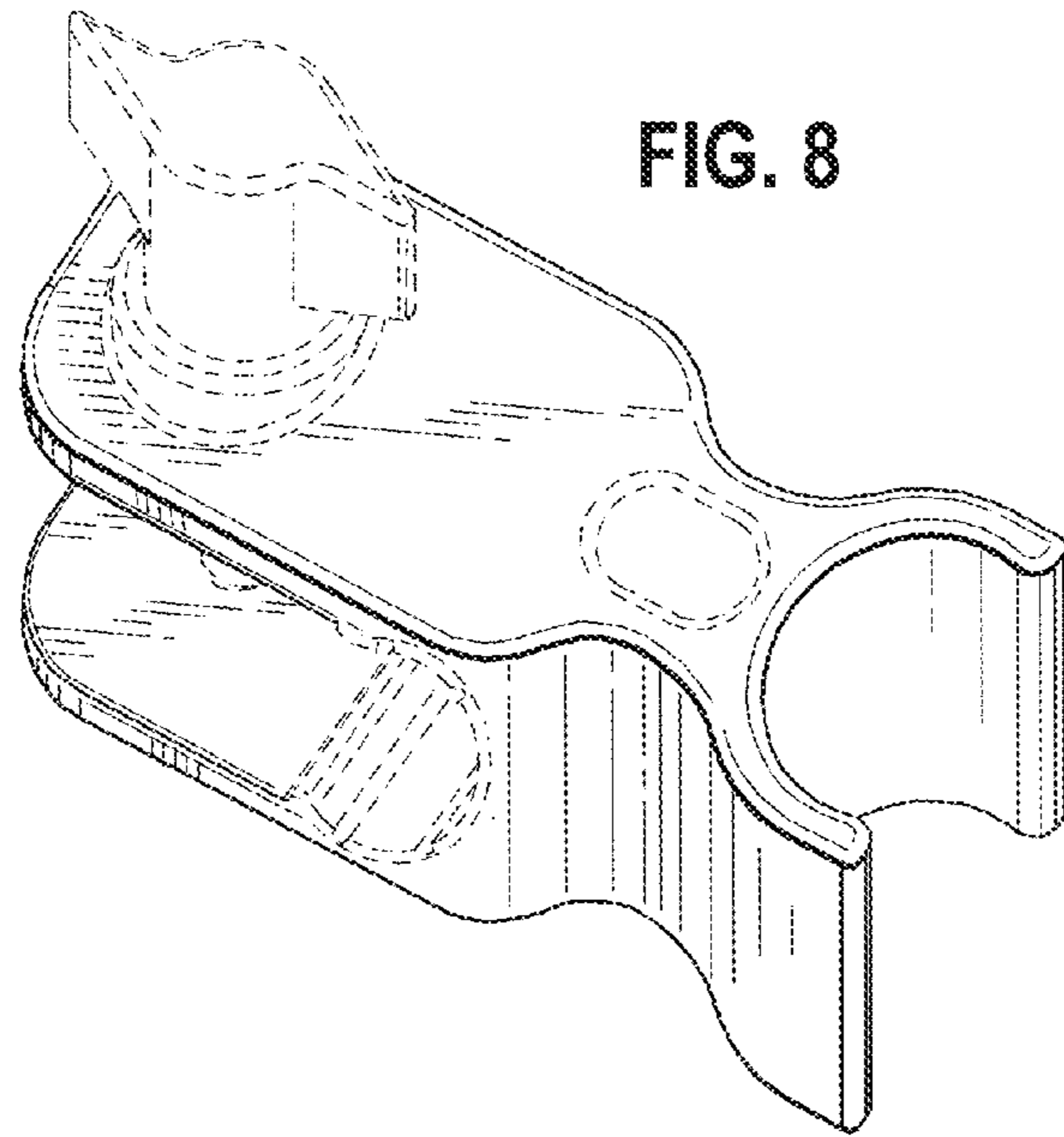


FIG. 8

FIG. 9

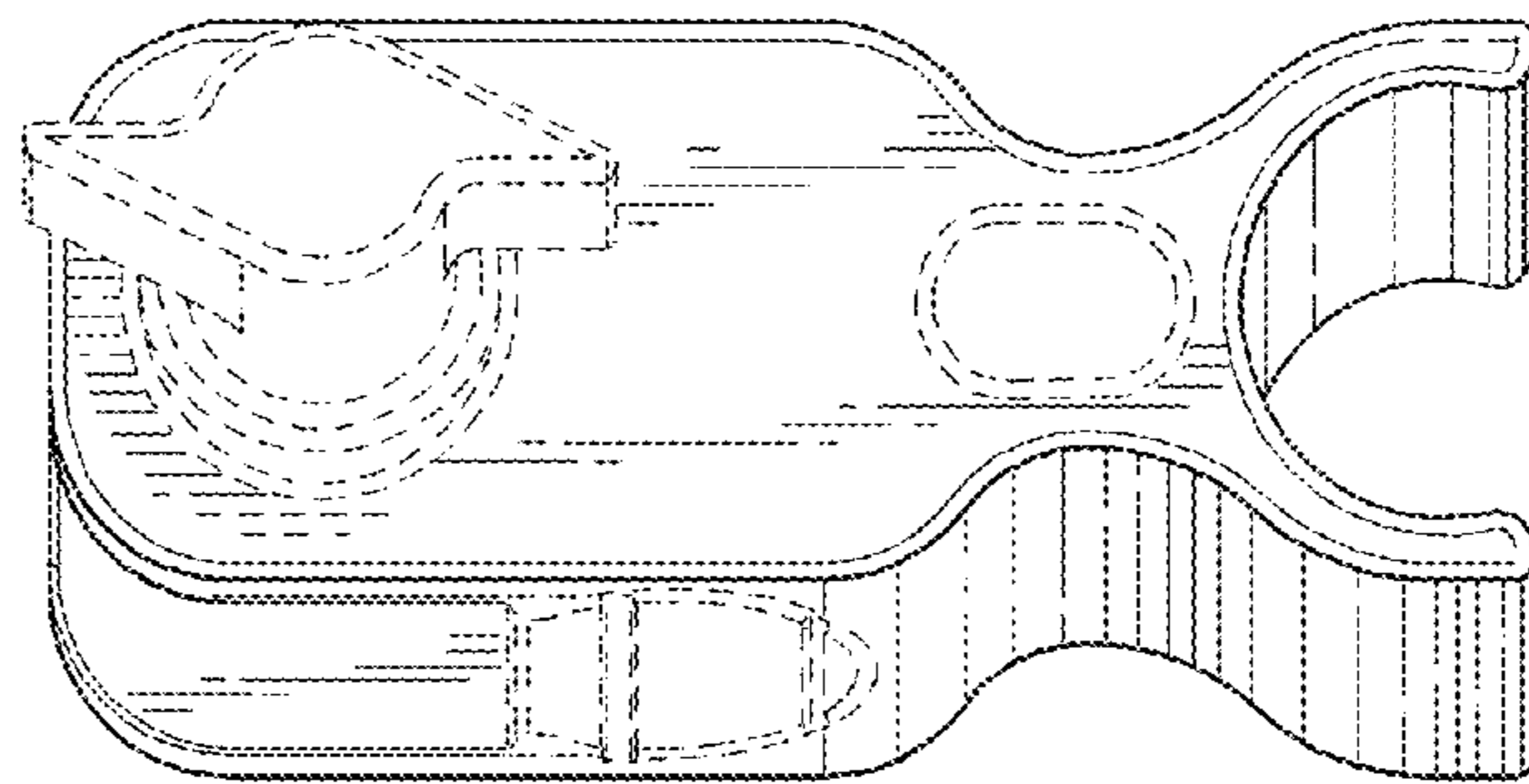


FIG. 10

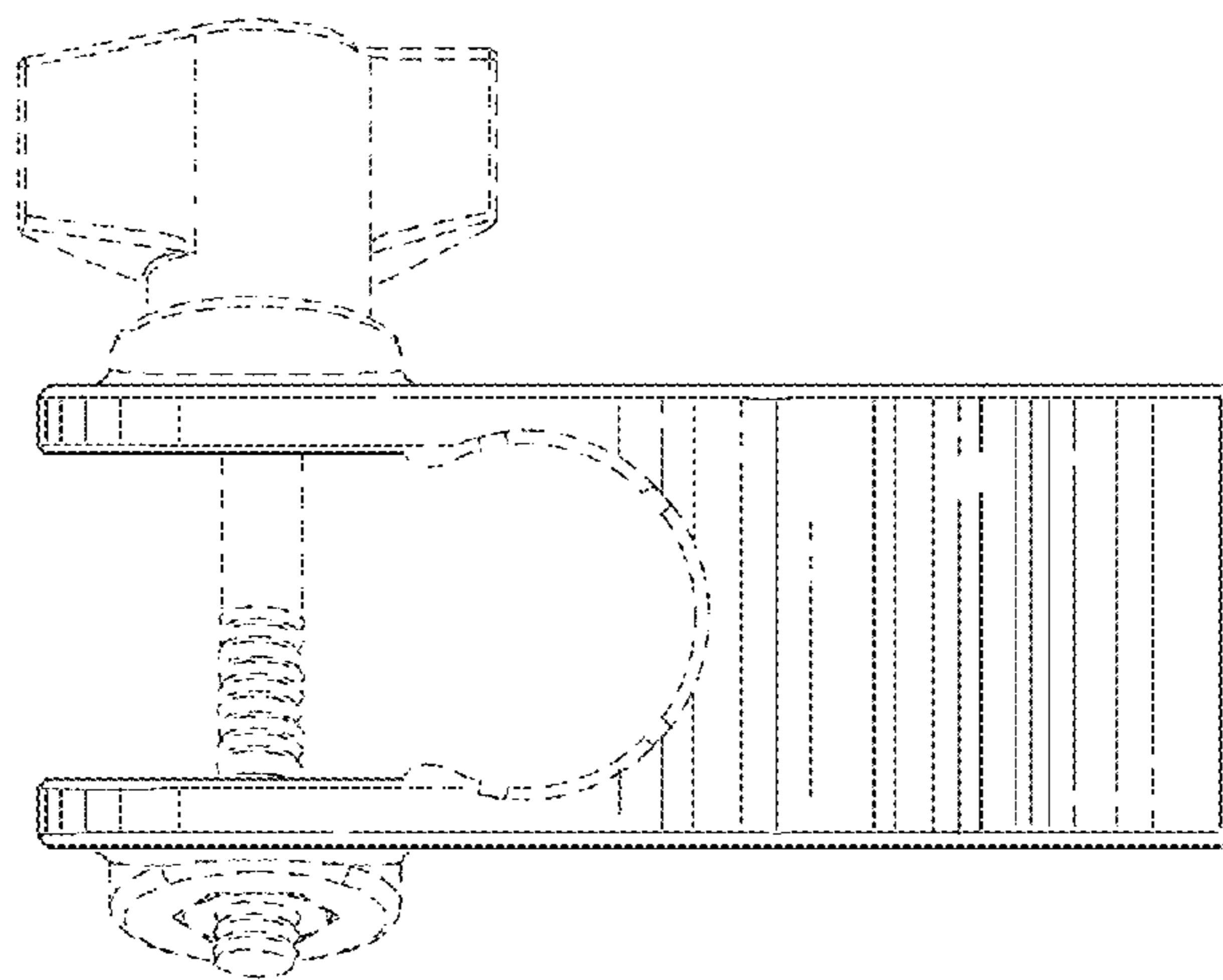


FIG. 11

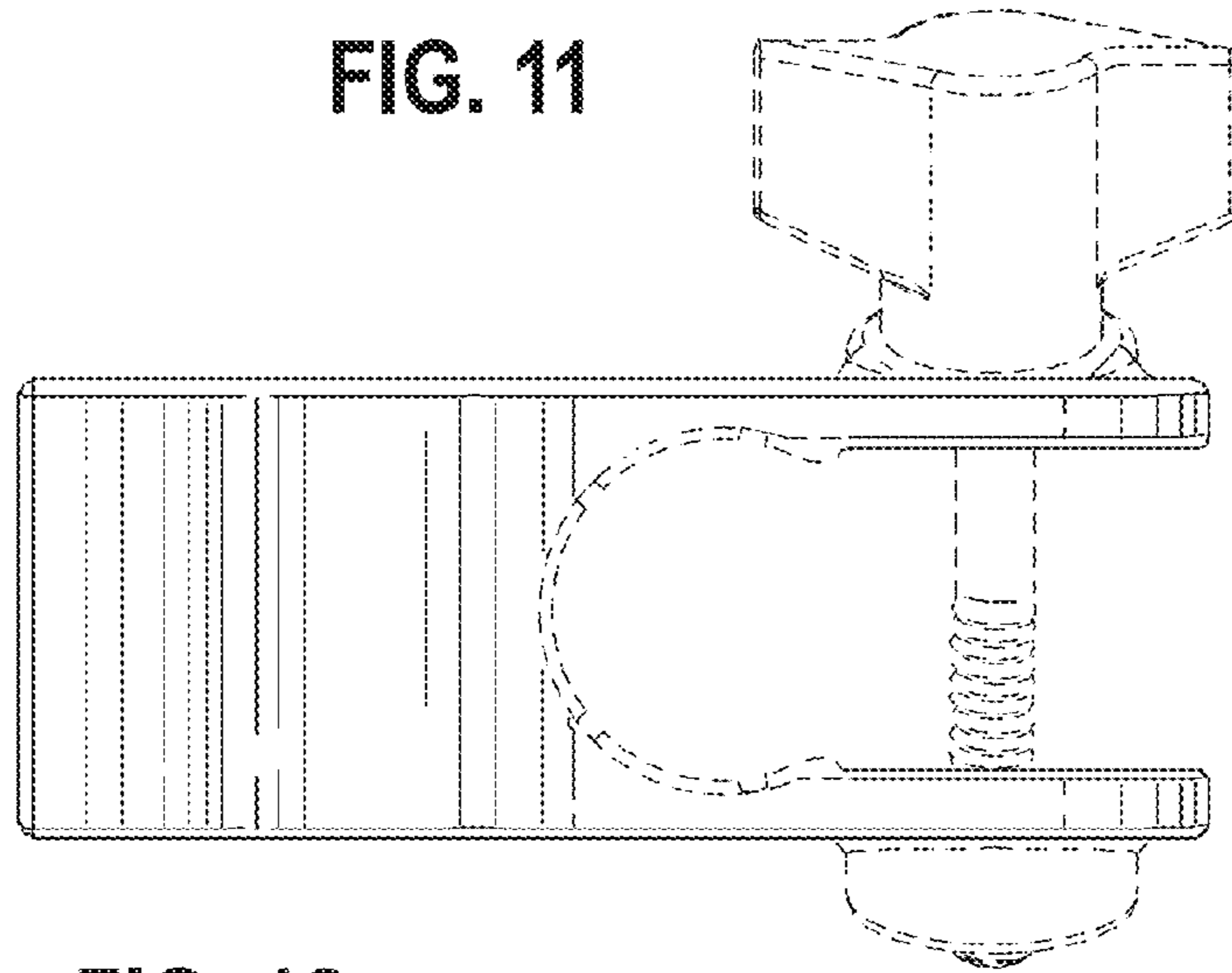


FIG. 12

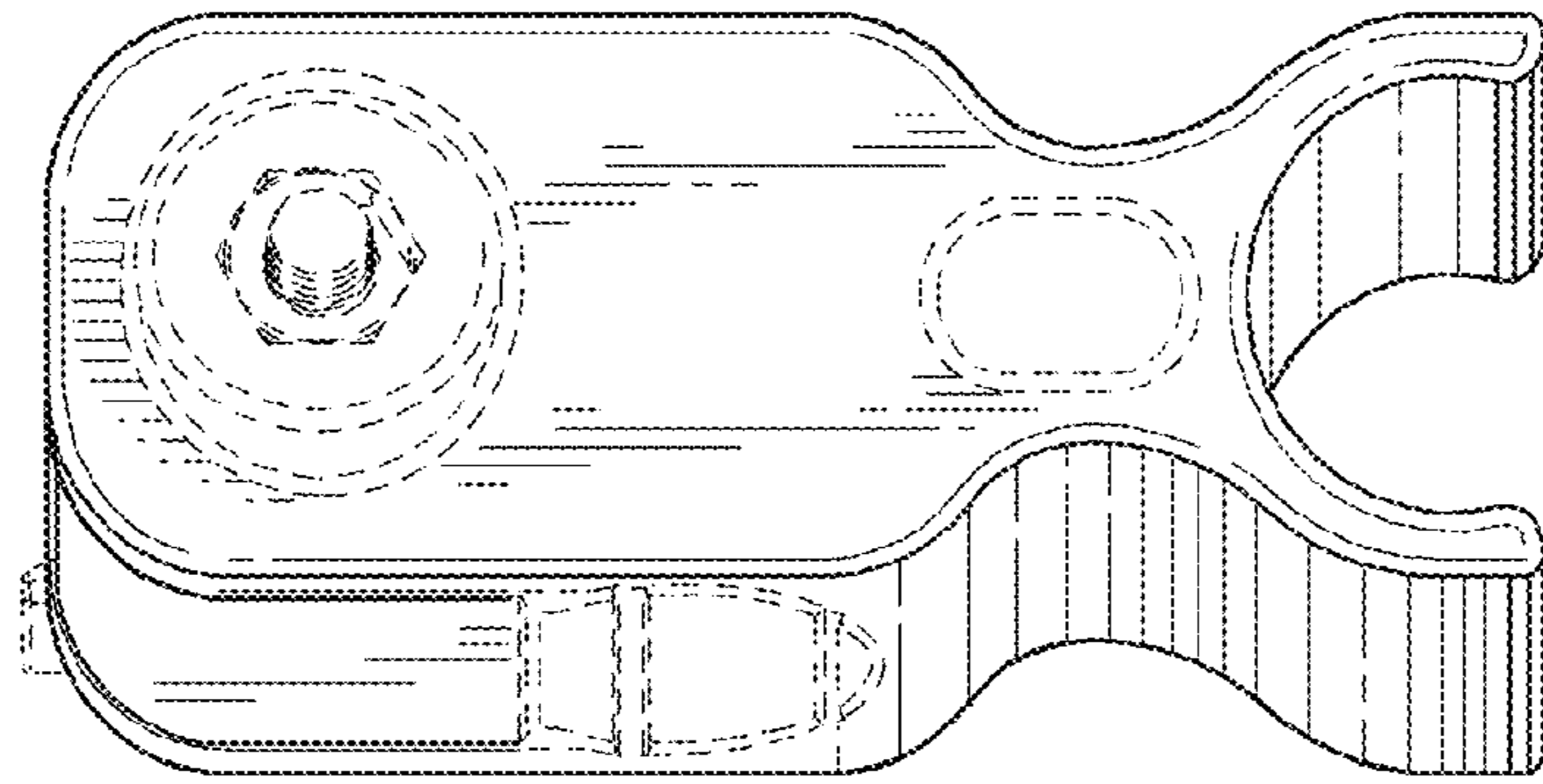


FIG. 13

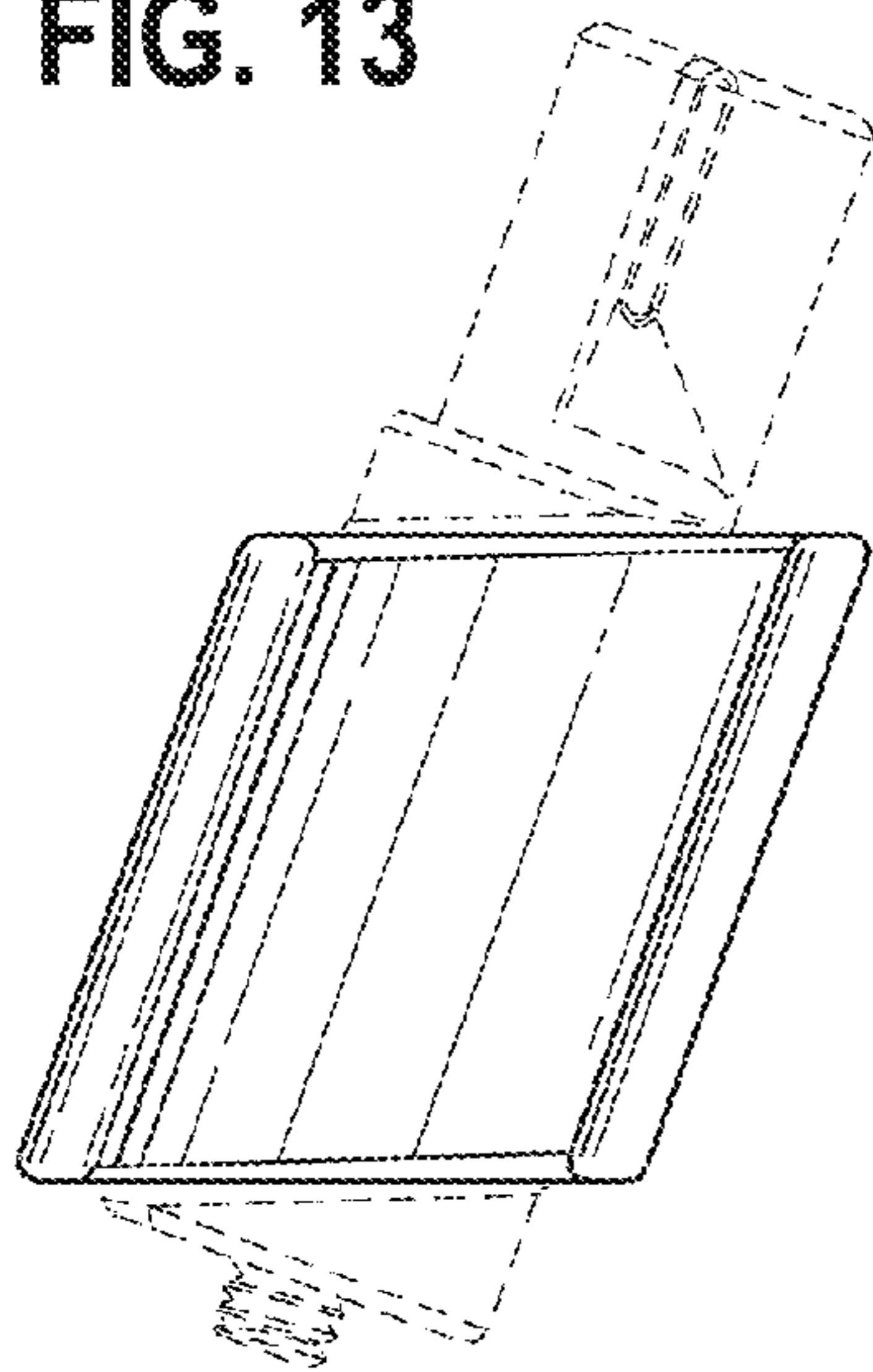


FIG. 14

