



US00D727215S

(12) **United States Design Patent**
Yang

(10) **Patent No.:** **US D727,215 S**
(45) **Date of Patent:** **** Apr. 21, 2015**

(54) **ELECTRIC BICYCLE**

(71) Applicant: **Tai-Her Yang**, Dzan-Hwa (TW)

(72) Inventor: **Tai-Her Yang**, Dzan-Hwa (TW)

(**) Term: **14 Years**

(21) Appl. No.: **29/483,956**

(22) Filed: **Mar. 5, 2014**

(51) **LOC (10) Cl.** **12-11**

(52) **U.S. Cl.**
USPC **D12/111**

(58) **Field of Classification Search**

CPC B62K 3/00; B62K 3/005; B62K 9/00;
B62K 19/00; B62K 19/02; B62K 19/04;
B62K 19/06; B62K 19/16
USPC D12/111, 117; 280/274-280, 281.1,
280/283-288, 288.1-288.4

See application file for complete search history.

(56) **References Cited**

U.S. PATENT DOCUMENTS

D274,611 S *	7/1984	Nakano et al.	D12/110
D294,338 S *	2/1988	Yamada et al.	D12/110
D390,504 S *	2/1998	Shih	D12/111
D406,253 S *	3/1999	Yamashita et al.	D12/110
5,934,401 A *	8/1999	Mayer et al.	180/220
D434,349 S *	11/2000	Currie et al.	D12/111
D498,438 S *	11/2004	Ying	D12/111
7,963,357 B2 *	6/2011	Gulas	180/206.5
7,980,579 B2 *	7/2011	Buckley	280/284
D694,156 S *	11/2013	Taipalus	D12/111
8,801,023 B2 *	8/2014	Chamberlain	280/284
2010/0314187 A1 *	12/2010	Chen	180/205
2014/0081496 A1 *	3/2014	Chun et al.	701/22

FOREIGN PATENT DOCUMENTS

CN	203593100 U *	5/2014	B60K 1/04
JP	09226382 A *	9/1997	B60K 1/04
KR	2014078321 A *	6/2014	B60K 1/04

OTHER PUBLICATIONS

“Audi Electric Bike Revealed.” Electric Bike., May 2, 2012 [online], [retrieved on Sep. 5, 2014]. Retrieved from the Internet <URL: <http://www.electricbike.com/audi-ebike/>>.*

Valerie. “Currie Technologies To Launch eFlow Electric Bike at Interbike.” Mountain Bike Review., Aug. 22, 2012 [online], [retrieved on Sep. 5, 2014]. Retrieved from the Internet <URL: <http://reviews.mtbr.com/currie-technologies-to-launch-eflow-electric-bike-at-interbike/>>.*

* cited by examiner

Primary Examiner — Philip S Hyder

Assistant Examiner — Darlington Ly

(74) *Attorney, Agent, or Firm* — Bacon & Thomas, PLLC

(57) **CLAIM**

The ornamental design for a electric bicycle, as shown and described.

DESCRIPTION

FIG. 1 is a perspective view of a electric bicycle showing my new design;

FIG. 2 is a front view thereof;

FIG. 3 is a rear view thereof;

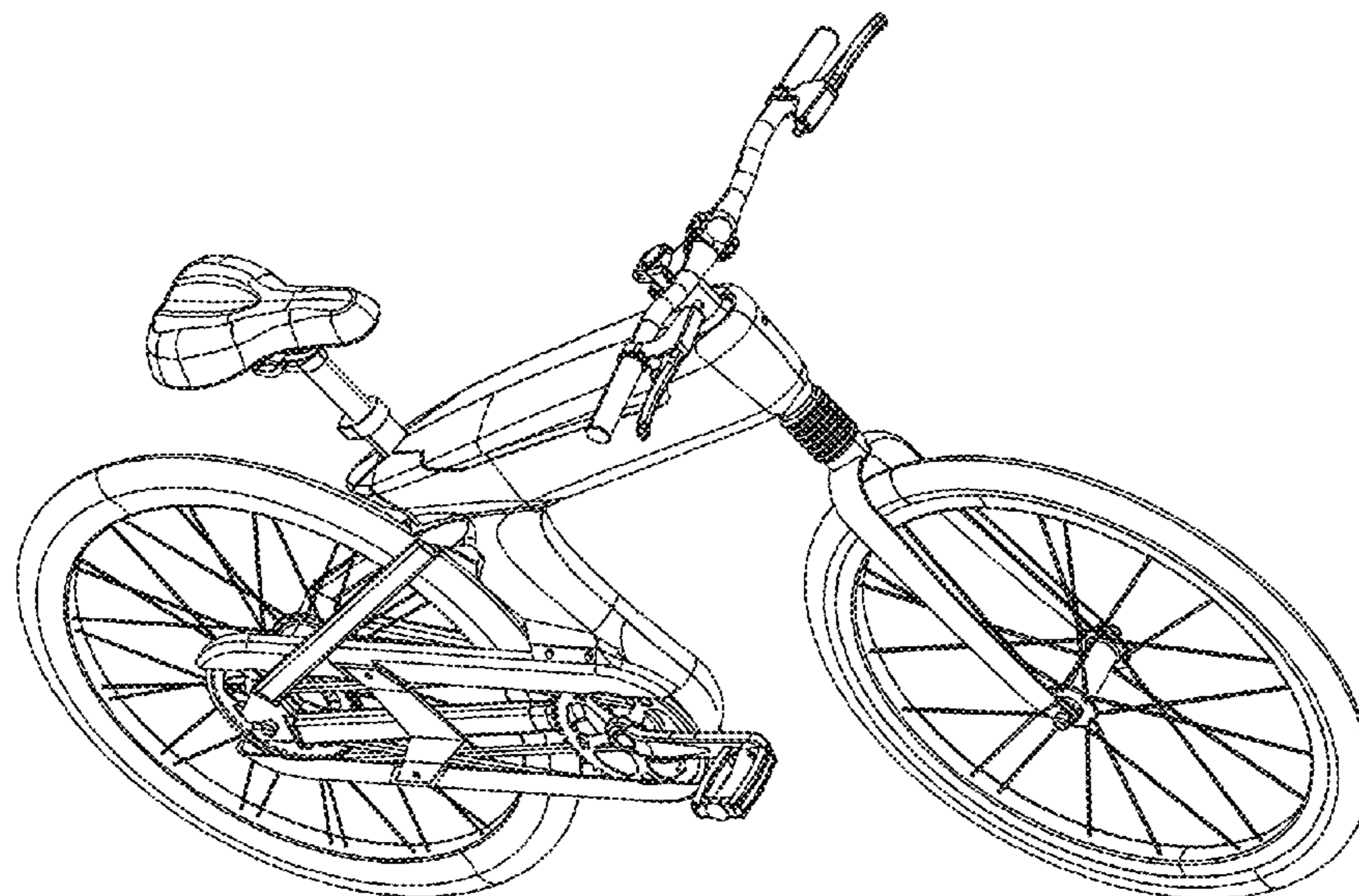
FIG. 4 is a left side view thereof;

FIG. 5 is a right side view thereof;

FIG. 6 is a top plan view thereof; and,

FIG. 7 is a bottom plan view thereof.

1 Claim, 7 Drawing Sheets



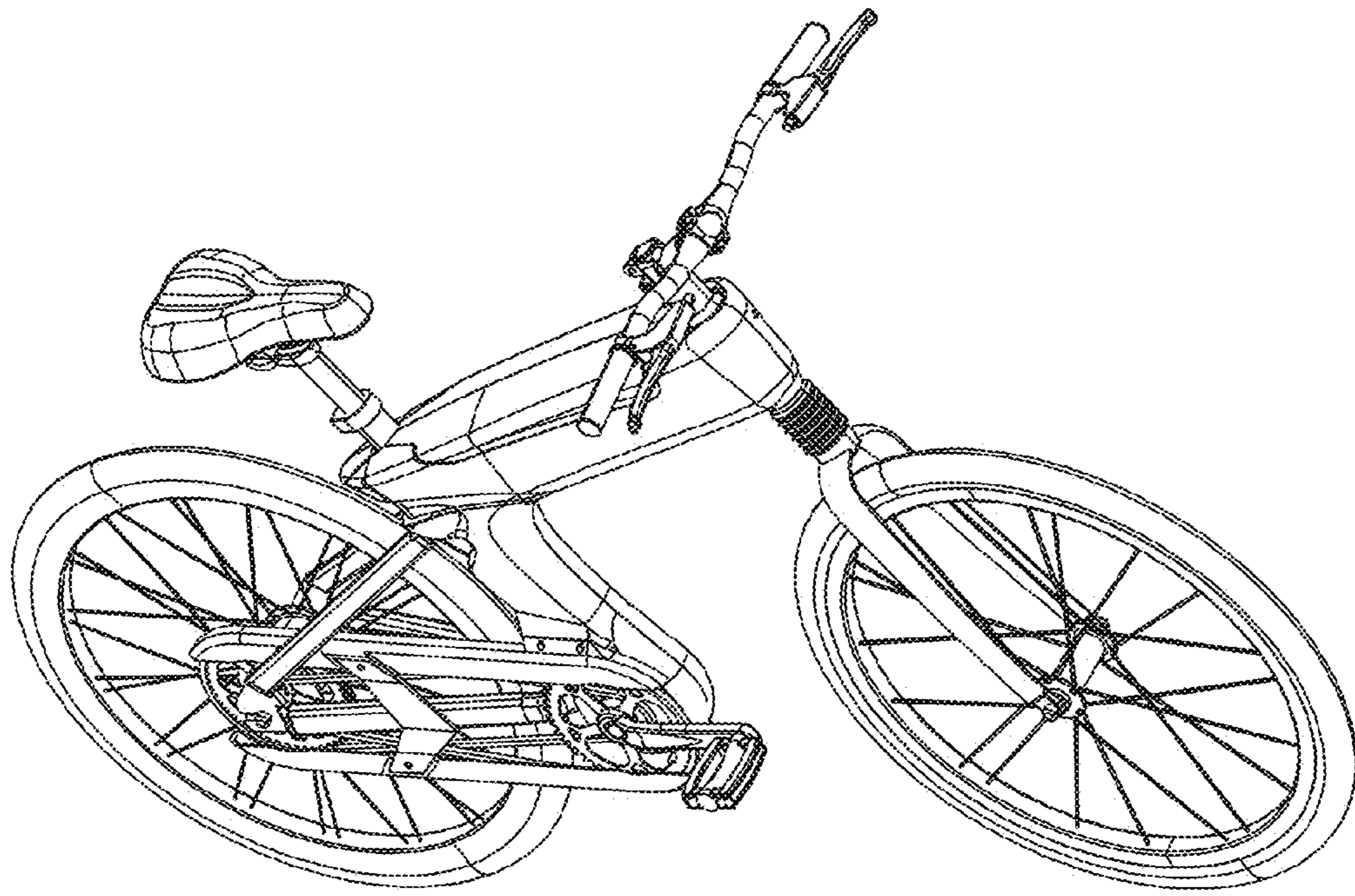


FIG. 1

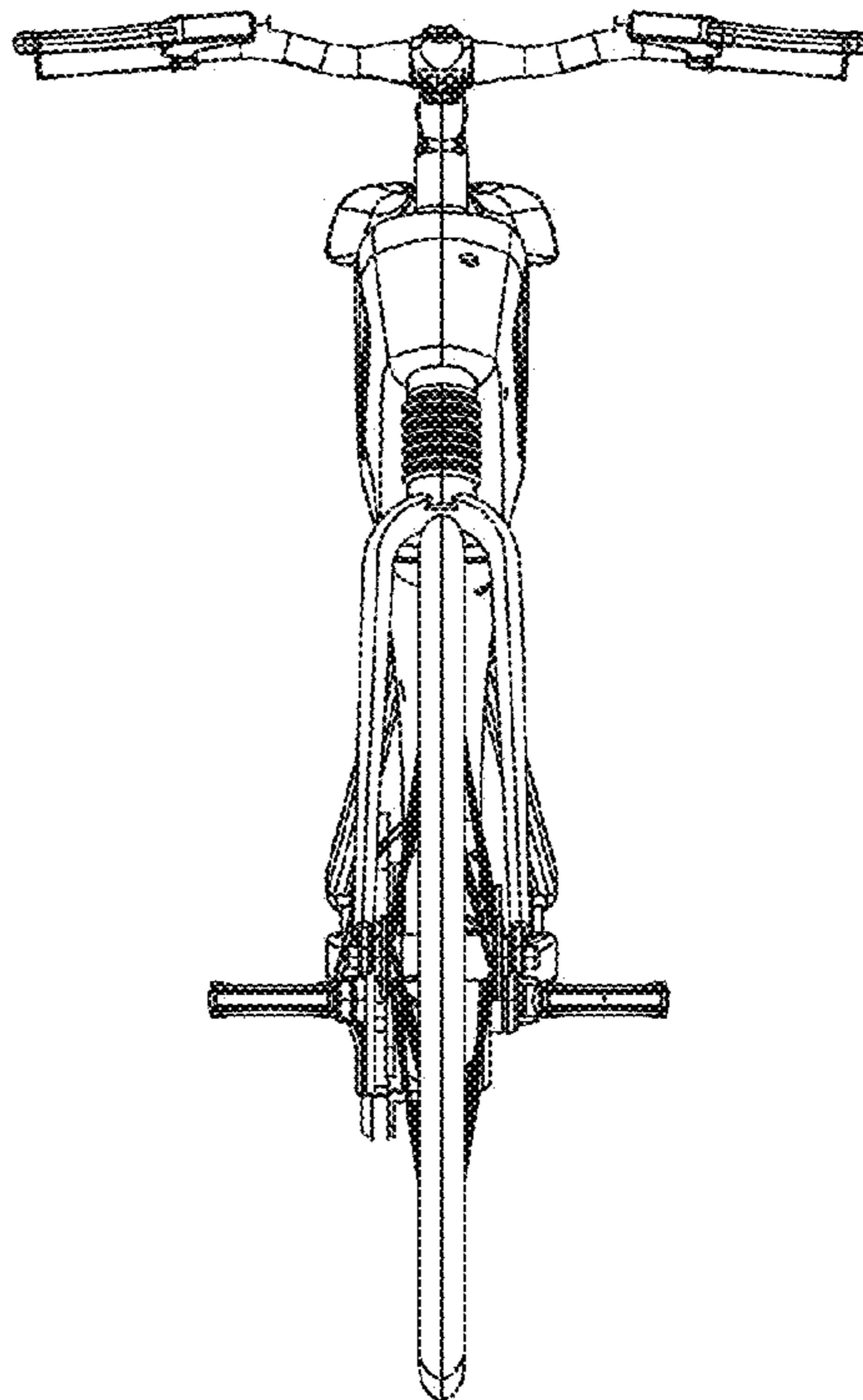


FIG. 2

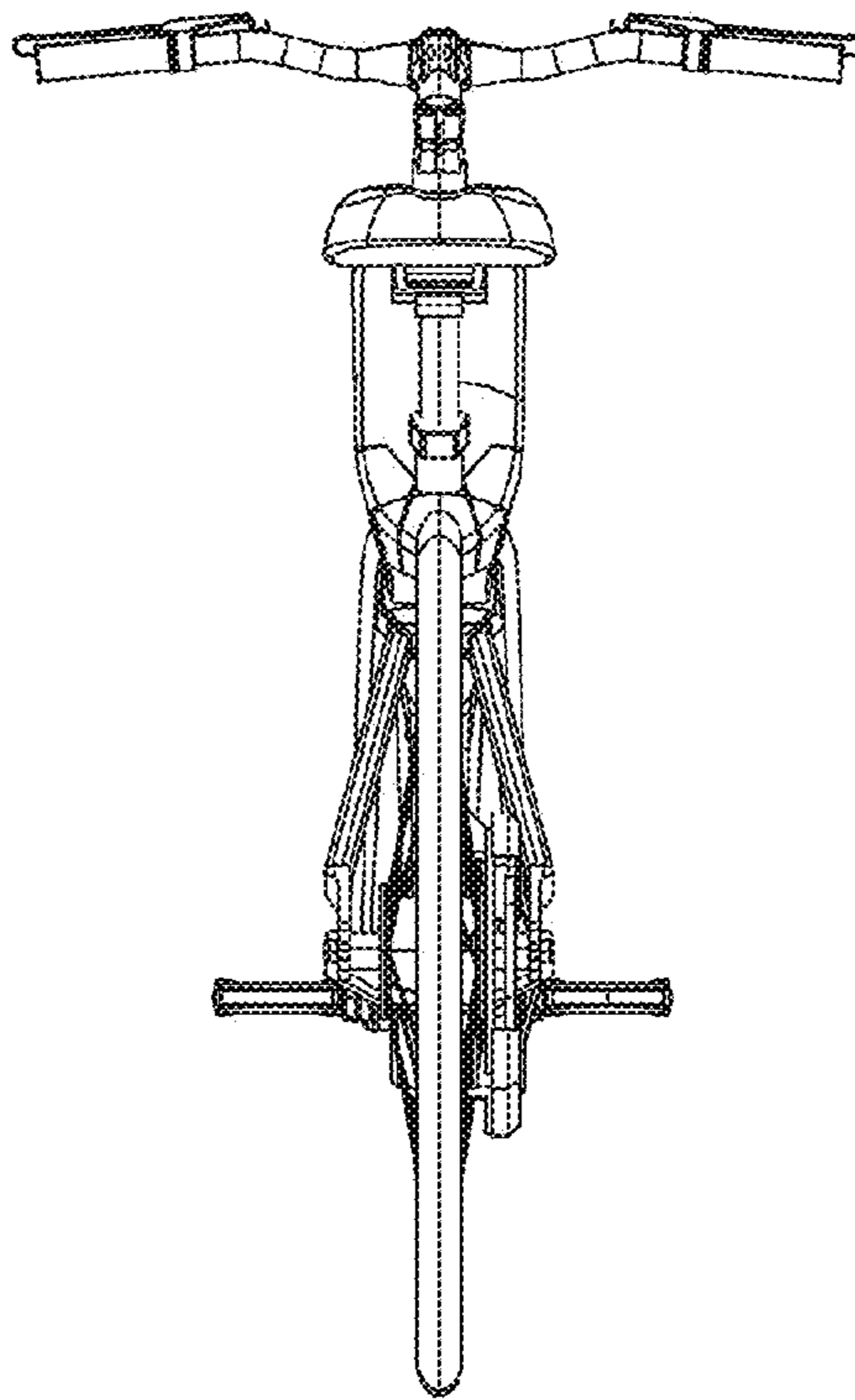


FIG. 3

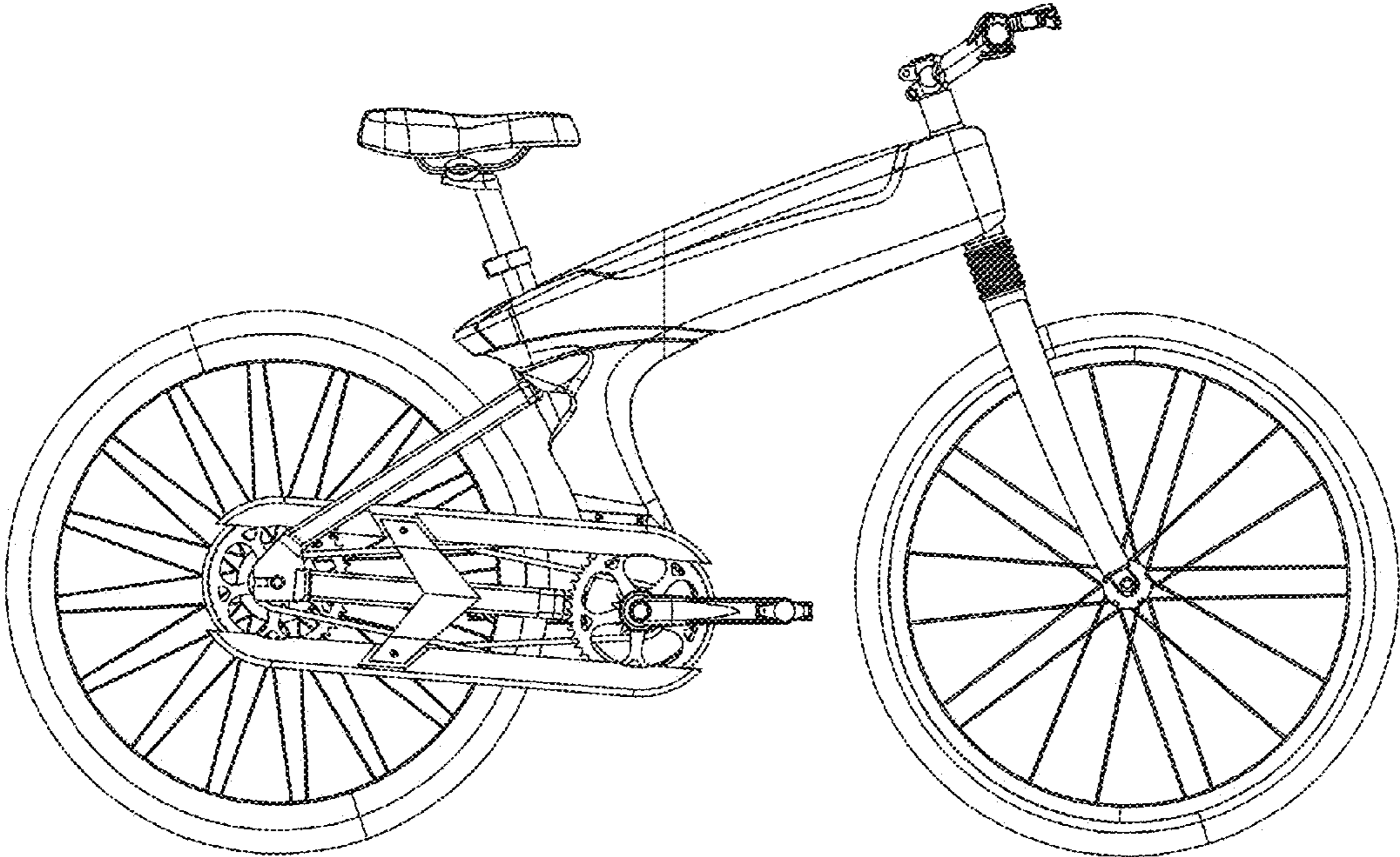


FIG. 4

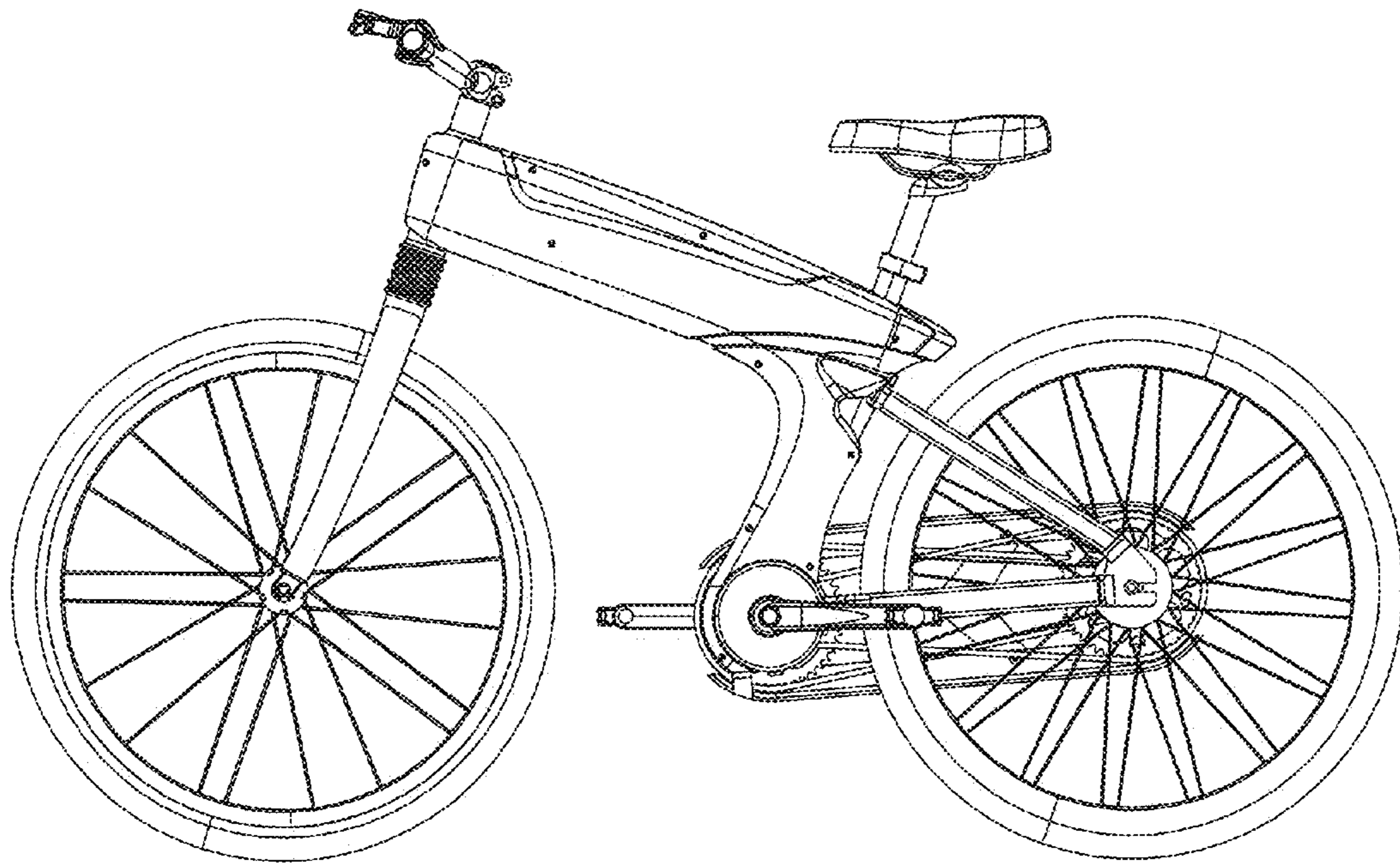


FIG. 5

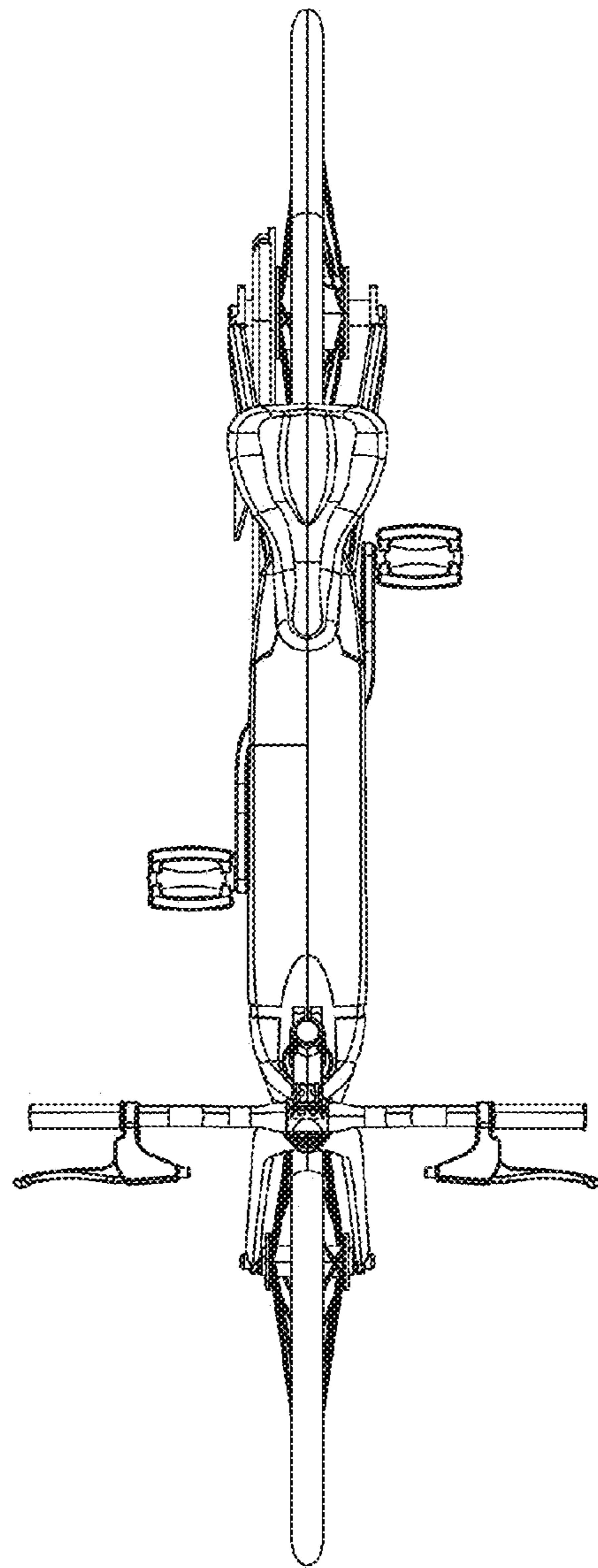


FIG. 6

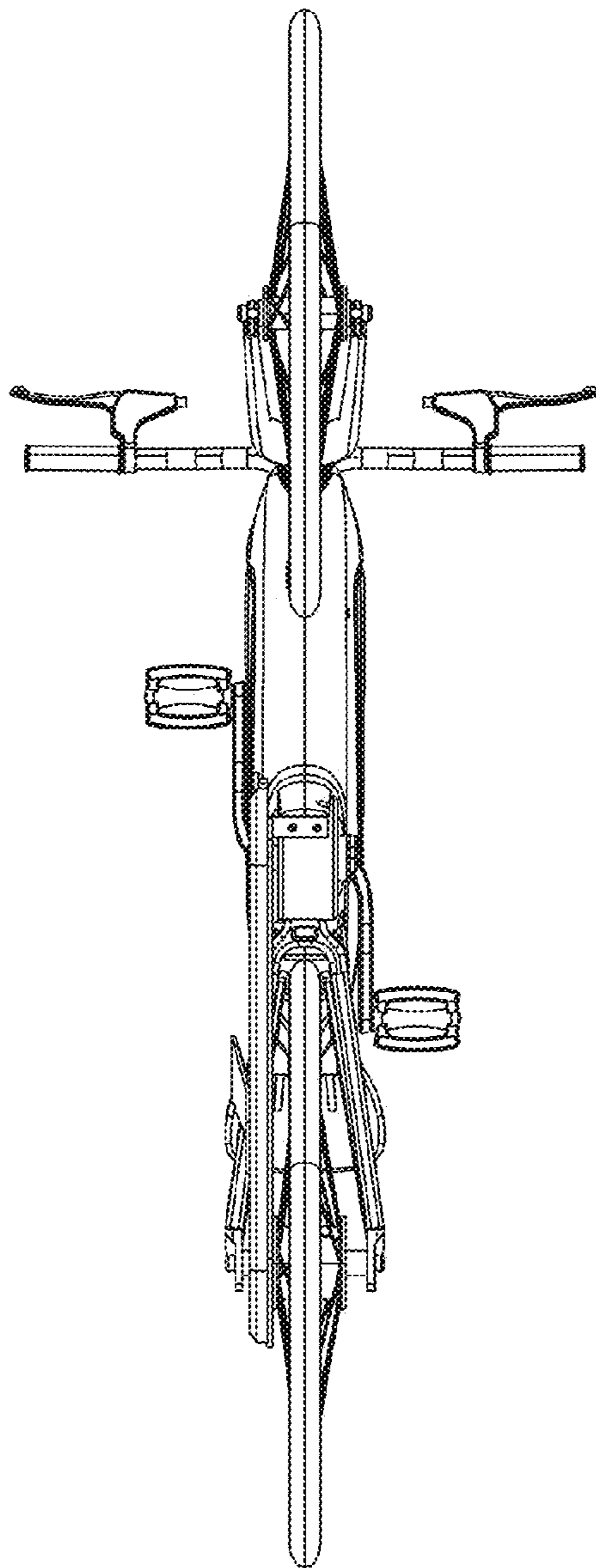


FIG. 7