



US00D727214S

(12) **United States Design Patent**
Yang

(10) **Patent No.:** **US D727,214 S**
(45) **Date of Patent:** **** Apr. 21, 2015**

(54) **ELECTRIC BICYCLE**

(71) Applicant: **Tai-Her Yang**, Dzan-Hwa (TW)

(72) Inventor: **Tai-Her Yang**, Dzan-Hwa (TW)

(**) Term: **14 Years**

(21) Appl. No.: **29/483,955**

(22) Filed: **Mar. 5, 2014**

(51) **LOC (10) Cl.** **12-11**

(52) **U.S. Cl.**
USPC **D12/111**

(58) **Field of Classification Search**

CPC B62K 3/00; B62K 3/005; B62K 9/00;
B62K 19/00; B62K 19/02; B62K 19/04;
B62K 19/06; B62K 19/16
USPC D12/111, 117; 280/274–280, 281.1,
280/283–288, 288.1–288.4

See application file for complete search history.

(56) **References Cited**

U.S. PATENT DOCUMENTS

4,169,512	A *	10/1979	Ishikawa et al.	180/205.5
D386,723	S *	11/1997	Fujieda	D12/110
D485,512	S *	1/2004	Liu	D12/111
D587,630	S *	3/2009	Yang	D12/111
D614,084	S *	4/2010	Tanaka et al.	D12/111
D620,400	S *	7/2010	Haller et al.	D12/111
D620,401	S *	7/2010	Haller et al.	D12/111
D621,302	S *	8/2010	Tanaka et al.	D12/111
D625,228	S *	10/2010	Lockart	D12/111
D626,037	S *	10/2010	Thetard	D12/111
D651,539	S *	1/2012	Thetard	D12/111
2012/0080252	A1 *	4/2012	Nishimori	180/65.51
2014/0209400	A1 *	7/2014	Yao et al.	180/167

FOREIGN PATENT DOCUMENTS

CN	203593100	U *	5/2014	B60K 1/04
JP	09226382	A *	9/1997	B60K 1/04
KR	2014078321	A *	6/2014	B60K 1/04

OTHER PUBLICATIONS

“Audi Electric Bike Revealed.” Electric Bike., May 2, 2012 [online], [retrieved on Sep. 5, 2014]. Retrieved from the Internet <URL: <http://www.electricbike.com/audi-ebike/>>.*

Valerie. “Currie Technologies To Launch eFlow Electric Bike at Interbike.” Mountain Bike Review., Aug. 22, 2012 [online], [retrieved on Sep. 5, 2014]. Retrieved from the Internet <URL: <http://reviews.mtbr.com/currie-technologies-to-launch-eflow-electric-bike-at-interbike/>>.*

* cited by examiner

Primary Examiner — Philip S Hyder

Assistant Examiner — Darlington Ly

(74) *Attorney, Agent, or Firm* — Bacon & Thomas, PLLC

(57) **CLAIM**

The ornamental design for a electric bicycle, as shown and described.

DESCRIPTION

FIG. 1 is a perspective view of a electric bicycle showing my new design;

FIG. 2 is a front view thereof;

FIG. 3 is a rear view thereof;

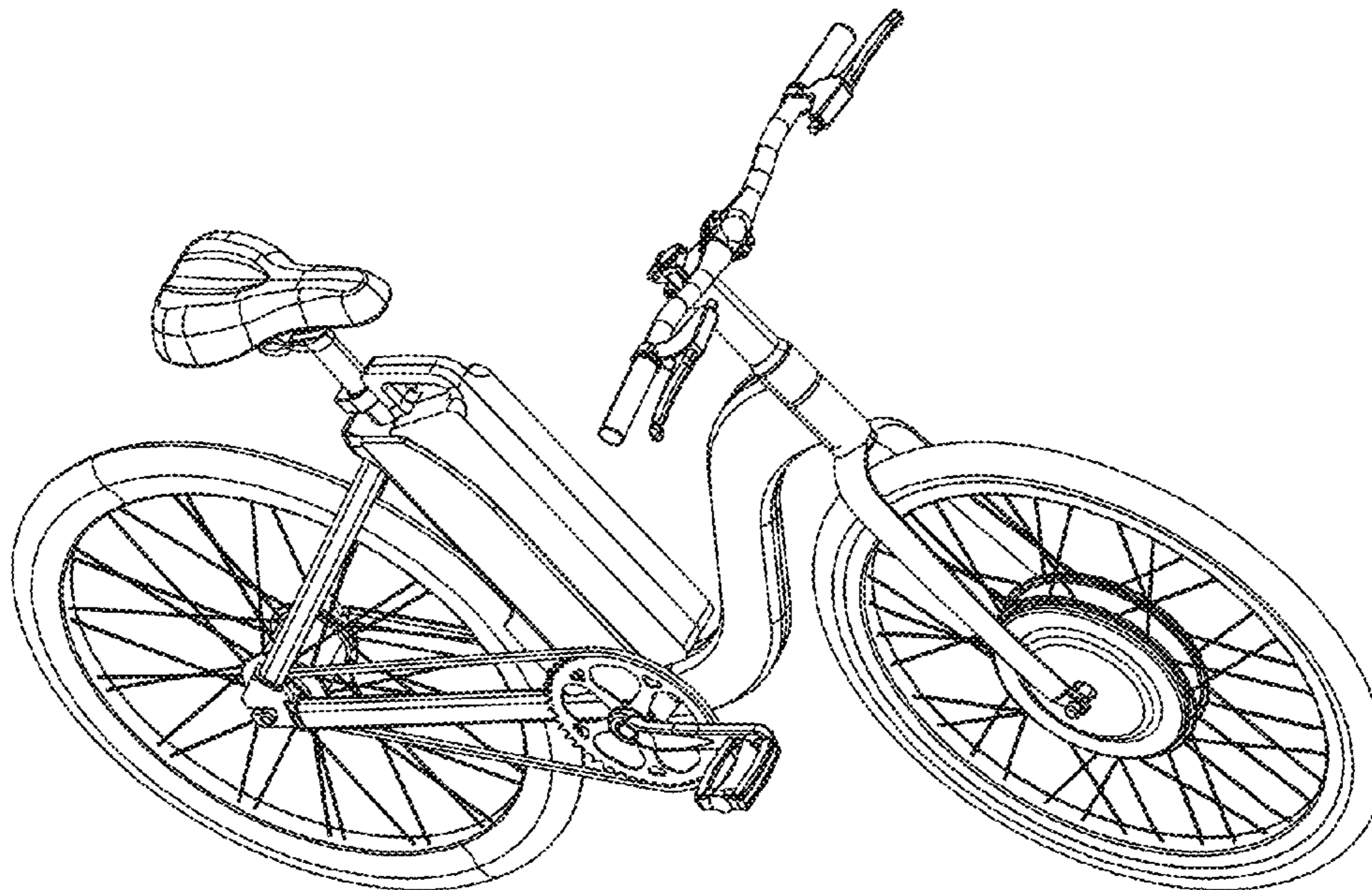
FIG. 4 is a left side view thereof;

FIG. 5 is a right side view thereof;

FIG. 6 is a top plan view thereof; and,

FIG. 7 is a bottom plan view thereof.

1 Claim, 7 Drawing Sheets



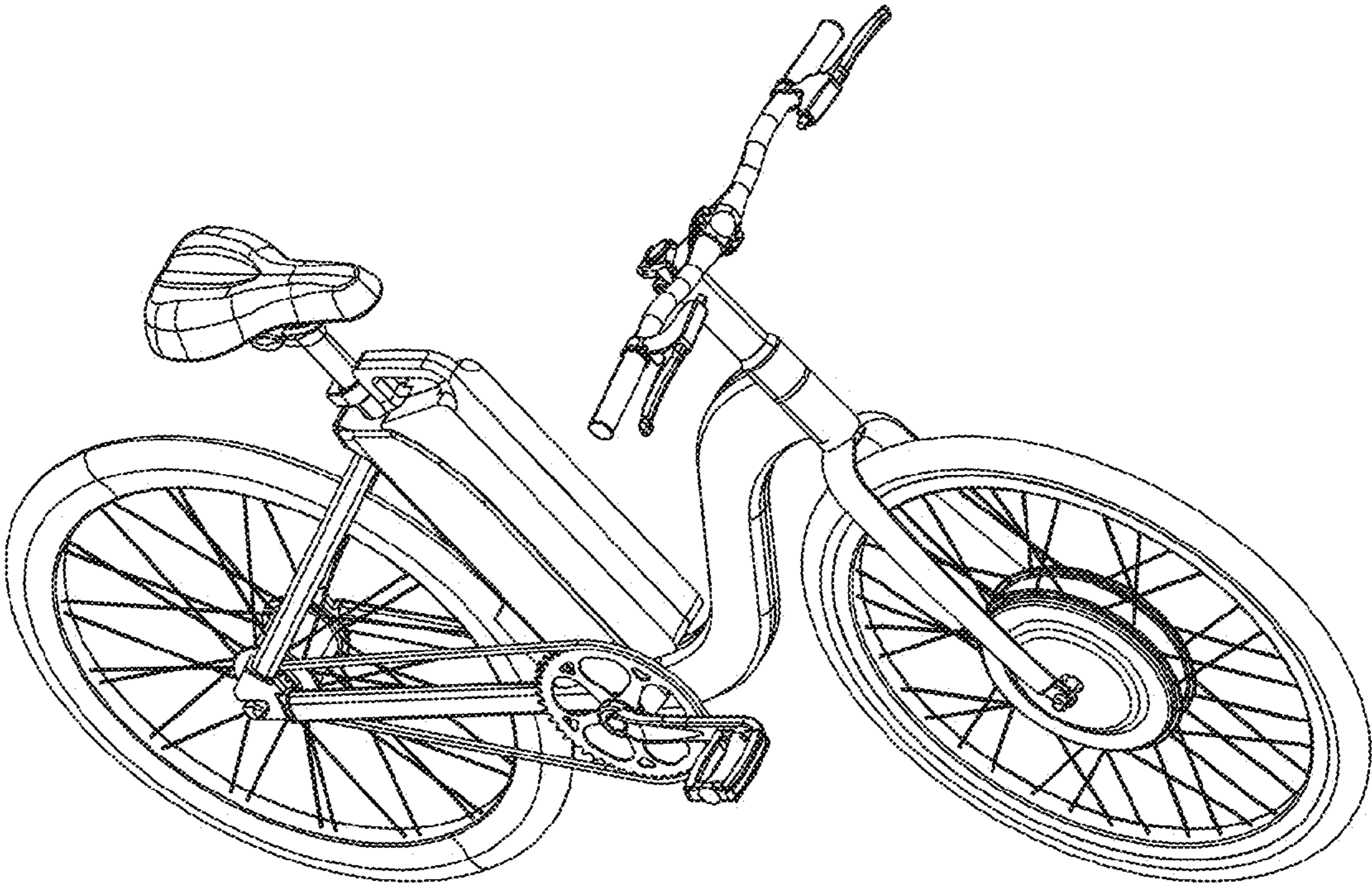


FIG. 1

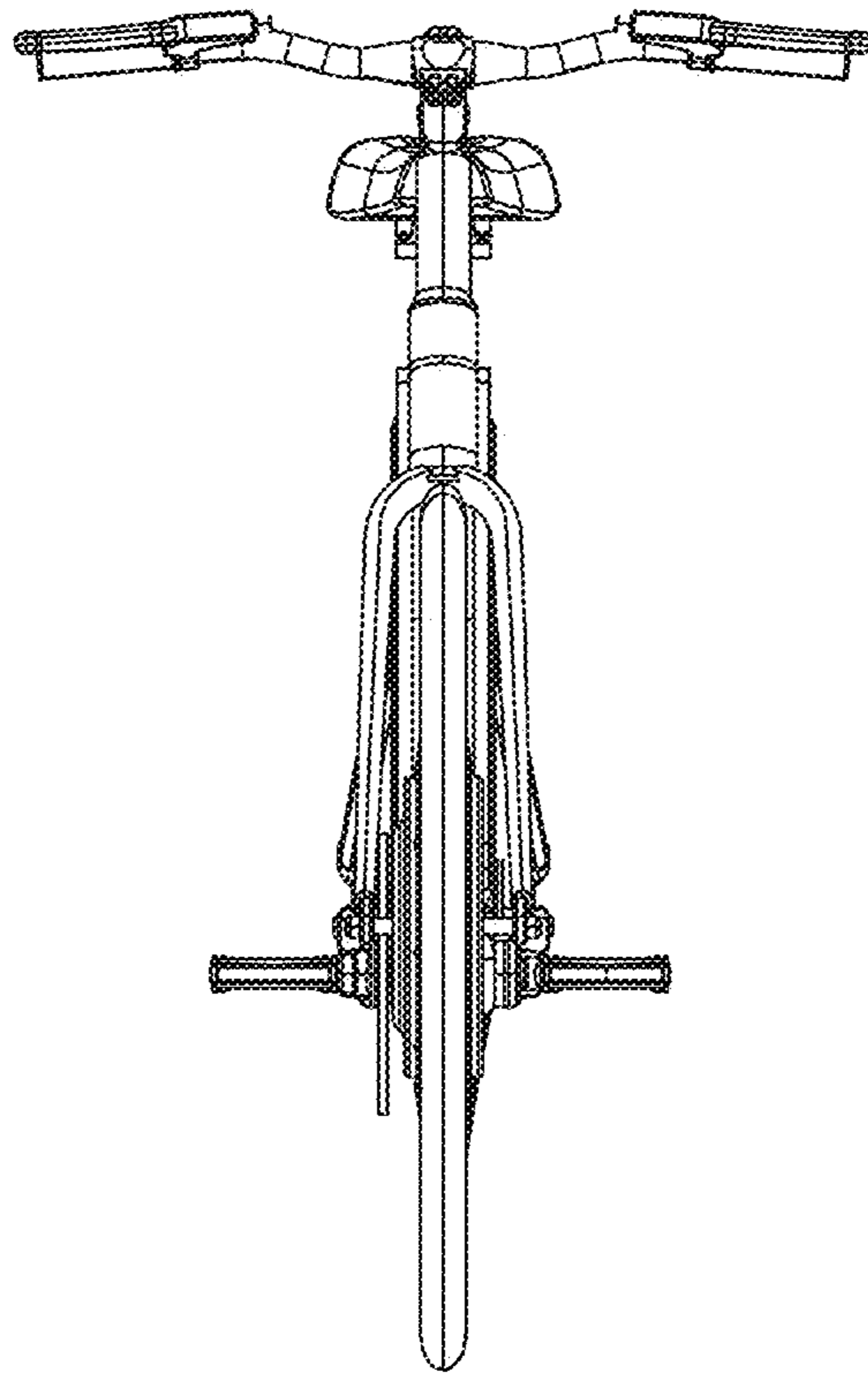


FIG. 2

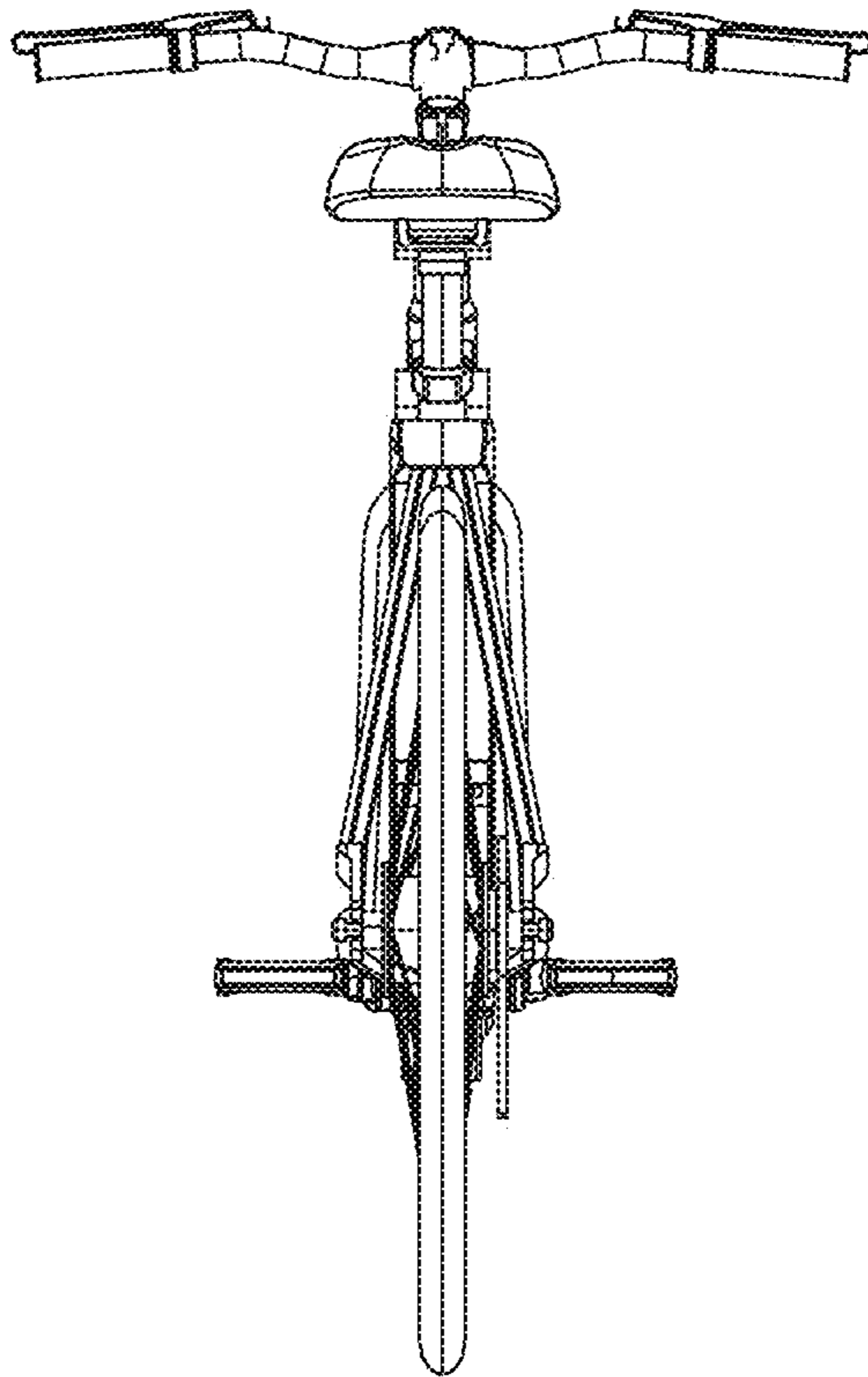


FIG. 3

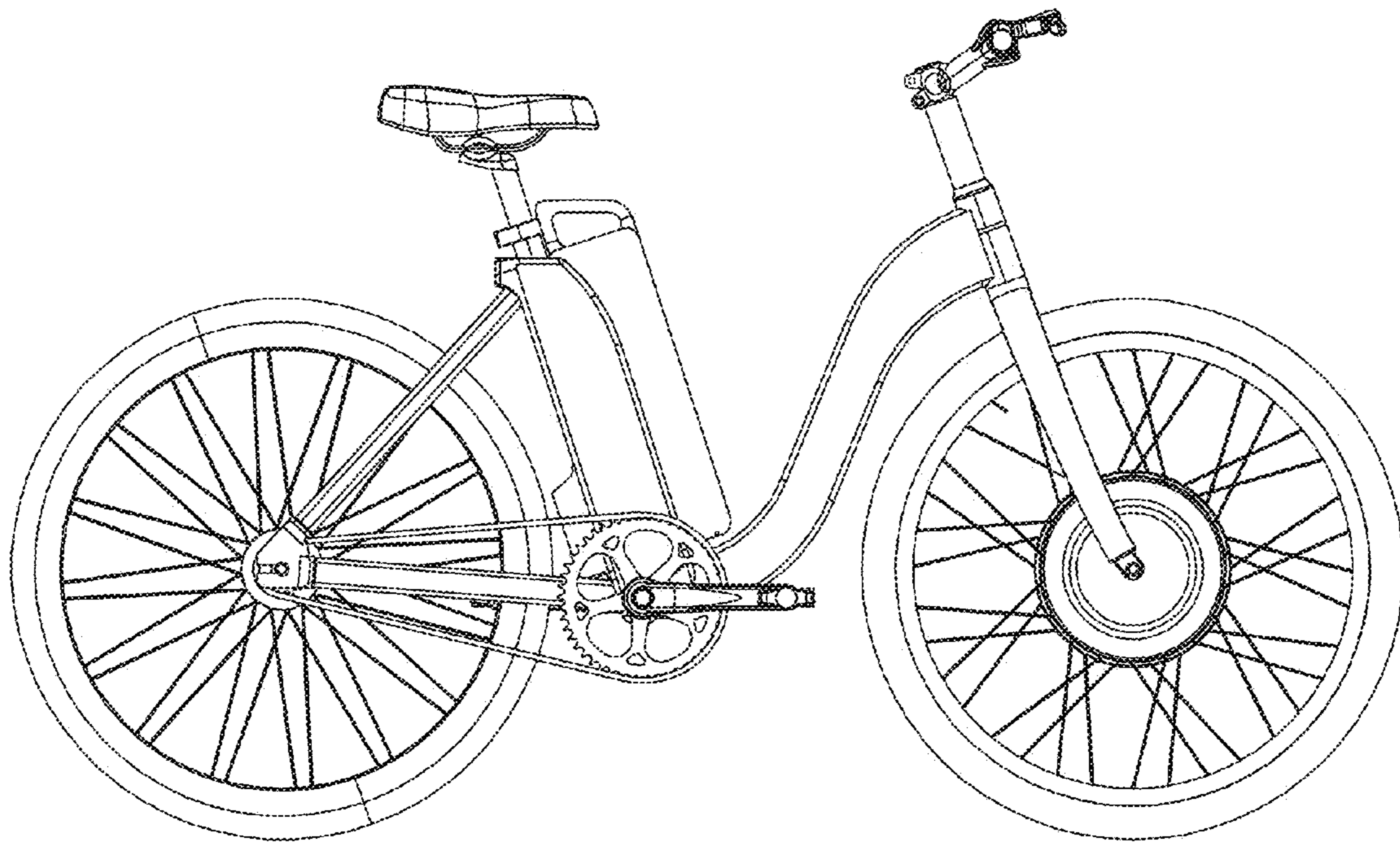


FIG. 4

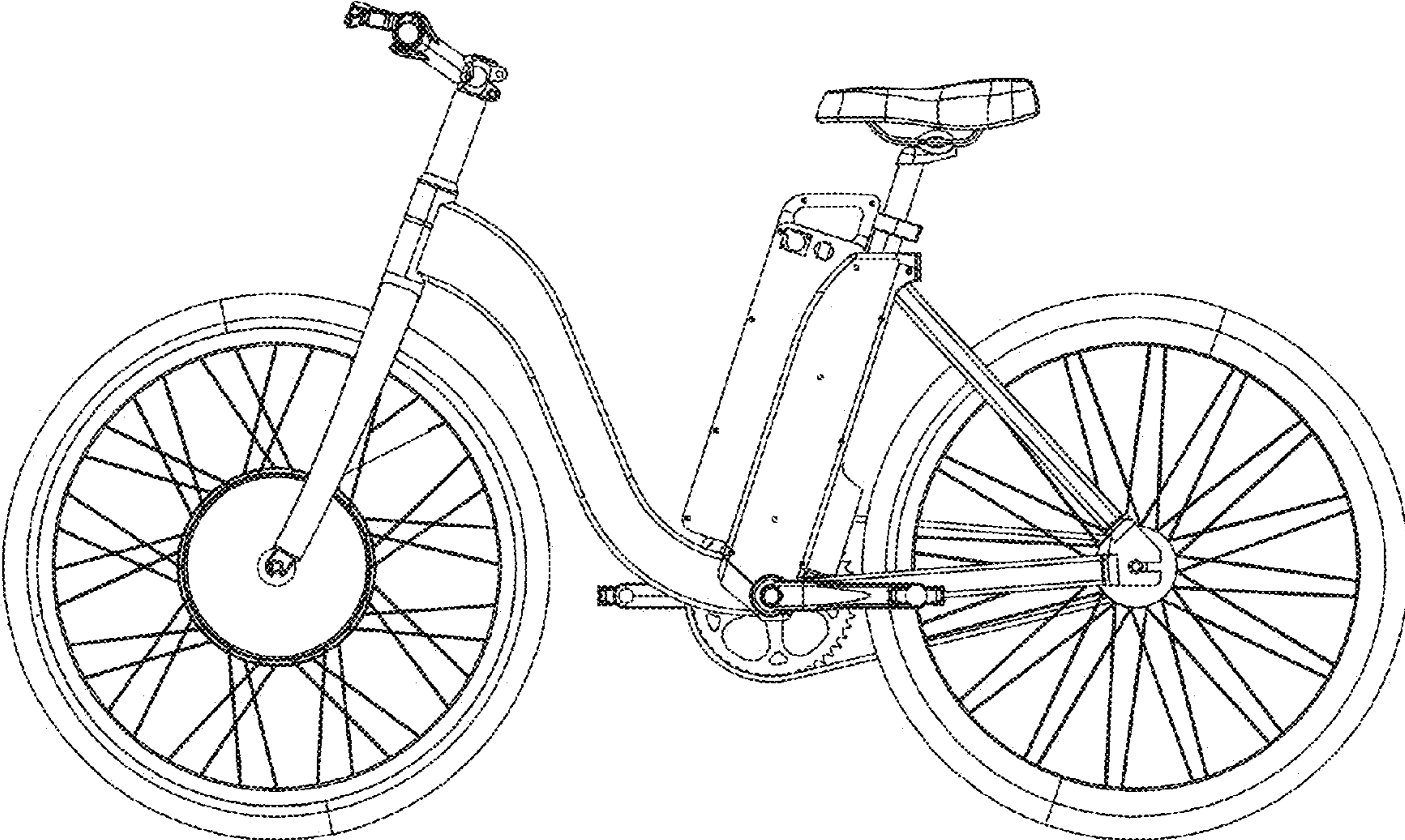


FIG. 5

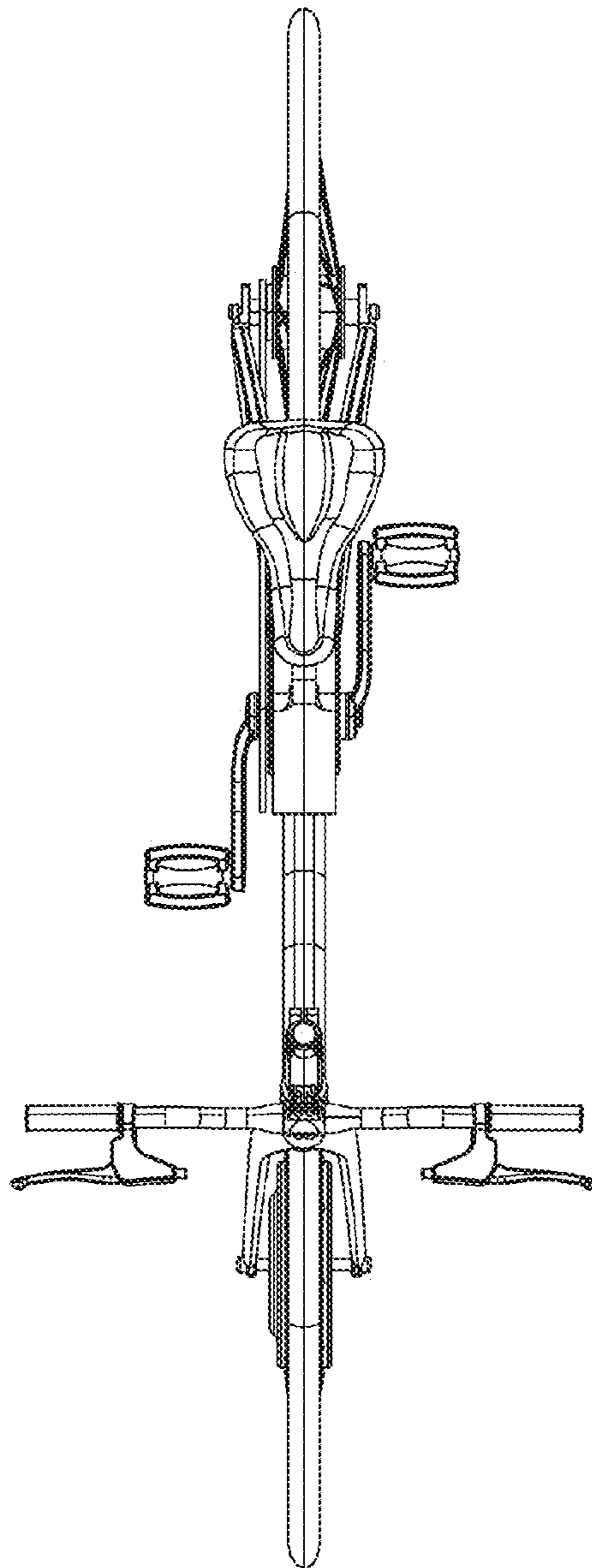


FIG. 6

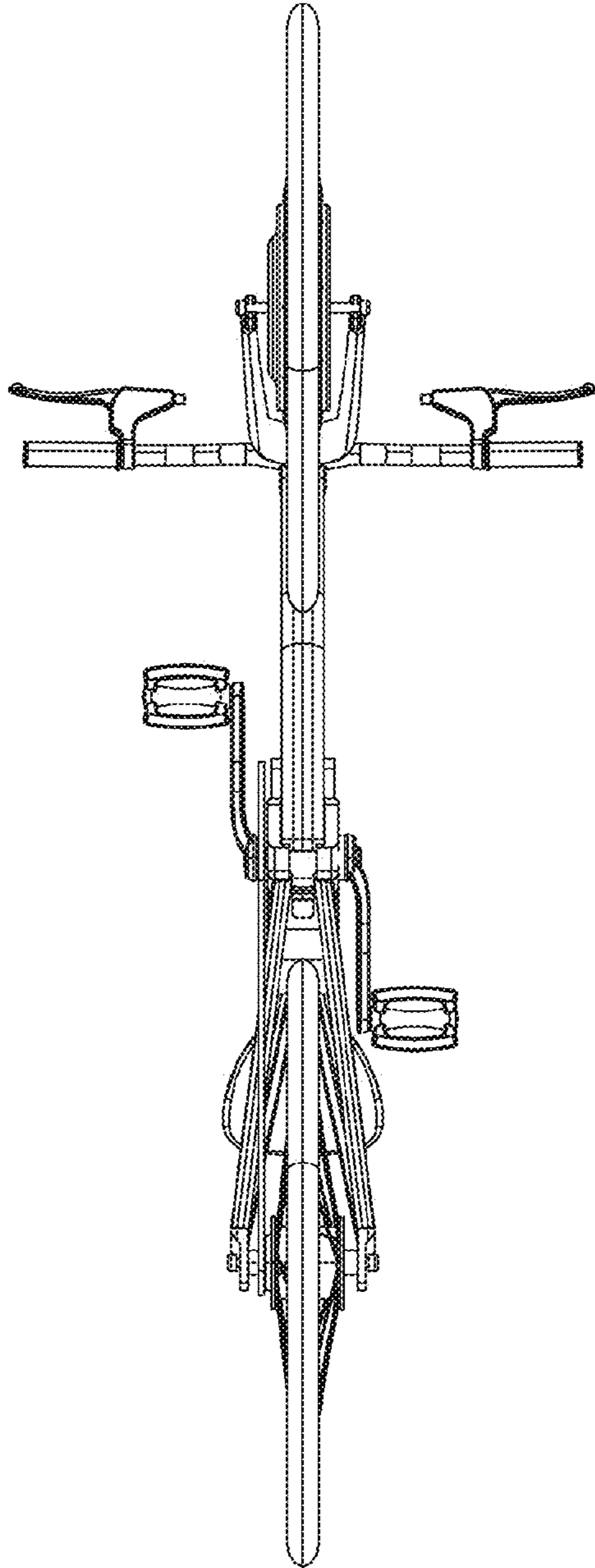


FIG. 7