



US00D727213S

(12) **United States Design Patent**  
**Anderson**

(10) **Patent No.:** **US D727,213 S**  
(45) **Date of Patent:** **\*\* Apr. 21, 2015**

(54) **TRAILER JACK**

3,934,852 A 1/1976 Weber et al.  
4,097,840 A 6/1978 Chappelle  
4,169,579 A 10/1979 Moll

(71) Applicant: **Cequent Consumer Products, Inc.**,  
Solon, OH (US)

(Continued)

(72) Inventor: **Derek Anderson**, Mayfield Heights, OH  
(US)

FOREIGN PATENT DOCUMENTS

(73) Assignee: **Cequent Consumer Products, Inc.**,  
Solon, OH (US)

CA 119276 1/2008  
CA 2693192 1/2009  
CN 201330423982.1 3/2014

OTHER PUBLICATIONS

(\*\*) Term: **14 Years**

Equalizer Systems—Electric and Hydraulic Lifting and Leveling,  
pp. 1-4, www.equalizersystems.com/Horse\_Hydraulic.asp, Aug. 24,  
2007.

(21) Appl. No.: **29/447,444**

(Continued)

(22) Filed: **Mar. 4, 2013**

(51) **LOC (10) Cl.** ..... **12-10**

(52) **U.S. Cl.**  
USPC ..... **D12/106**

(58) **Field of Classification Search**  
USPC ..... D12/106, 101-105, 19, 129, 111-112;  
D21/425, 435; D34/21-26, 12, 16-19;  
280/205, 63, 475, 482, 647, 204;  
296/168, 180, 180.2, 61, 10,  
296/100.01-100.08

See application file for complete search history.

*Primary Examiner* — Katrina A Betton

(74) *Attorney, Agent, or Firm* — McDonald Hopkins LLC;  
Jeff Urian

(57) **CLAIM**

The ornamental design for a trailer jack, as shown and  
described.

**DESCRIPTION**

(56) **References Cited**

U.S. PATENT DOCUMENTS

987,523 A 3/1911 Willour  
2,054,211 A 9/1936 White  
2,227,725 A 1/1941 Laddon  
2,233,135 A 2/1941 Ketel  
2,383,204 A 8/1945 Veque  
3,175,710 A \* 3/1965 Kistner ..... 414/534  
D212,800 S 11/1968 Kimball  
3,595,527 A 7/1971 Douglass  
3,658,359 A 4/1972 Claffin et al.  
3,750,811 A \* 8/1973 Anderson et al. .... 414/460  
3,841,663 A 10/1974 Proffit  
3,851,855 A 12/1974 Douglass  
3,863,894 A 2/1975 Mansi et al.  
3,921,958 A 11/1975 Brockelsby et al.

FIG. 1 is a perspective view of a trailer jack showing our new  
design;

FIG. 2 is a front view thereof;

FIG. 3 is a rear view thereof;

FIG. 4 is a first side view thereof;

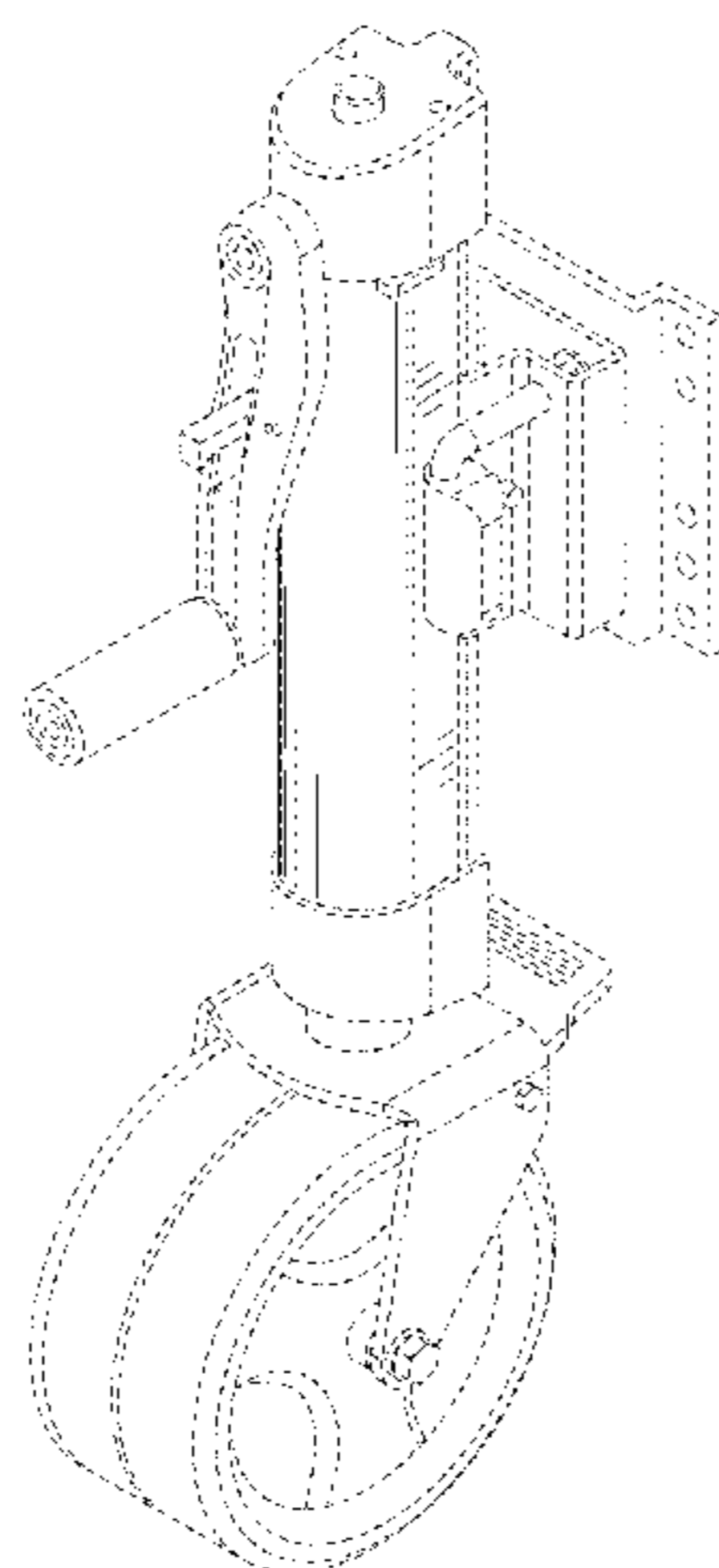
FIG. 5 is a second side view thereof;

FIG. 6 is a cross-sectional view thereof taken along line 6 of  
FIG. 2; and,

FIG. 7 is a cross-sectional view thereof taken along line 7 of  
FIG. 2.

The broken lines in the figures are included for the purpose of  
illustrating portions of a trailer jack and form no part of the  
claimed design.

**1 Claim, 4 Drawing Sheets**



(56)

References Cited

U.S. PATENT DOCUMENTS

4,265,429 A 5/1981 Formhals  
 4,283,073 A 8/1981 Gostomski et al.  
 4,424,983 A 1/1984 Walters  
 D286,933 S 11/1986 Lymburner  
 4,623,125 A 11/1986 Ebey  
 4,702,458 A 10/1987 Kendrick  
 4,802,685 A \* 2/1989 Godbersen ..... 280/414.1  
 4,860,841 A 8/1989 Sacco  
 4,978,104 A 12/1990 Gipson, Jr.  
 4,997,203 A 3/1991 Jensen  
 5,009,445 A 4/1991 Williams, Jr.  
 5,016,900 A 5/1991 McCully  
 D318,355 S 7/1991 Salvesen  
 5,040,937 A 8/1991 Godbersen  
 5,067,692 A 11/1991 Nudd et al.  
 D327,282 S 6/1992 Garcia  
 D327,354 S 6/1992 Inman  
 D334,268 S 3/1993 Hayes  
 D340,340 S 10/1993 Allen  
 5,282,605 A 2/1994 Sauber  
 5,299,829 A 4/1994 Rivers, Jr. et al.  
 D348,340 S 6/1994 Collins, Jr. et al.  
 D358,920 S 5/1995 Peterman  
 5,421,555 A 6/1995 Sims  
 5,423,518 A 6/1995 Baxter et al.  
 5,435,523 A 7/1995 Hying et al.  
 D368,568 S 4/1996 Hartley  
 5,553,825 A 9/1996 Rasmussen  
 D390,503 S 2/1998 Gleason et al.  
 D425,281 S 5/2000 Ridge  
 6,099,016 A 8/2000 Peveler  
 6,213,491 B1 \* 4/2001 Southard, Jr. .... 280/475  
 D443,747 S 6/2001 Ridge  
 6,302,381 B1 10/2001 Roll  
 6,446,937 B1 9/2002 Straw, Sr. et al.  
 6,581,913 B1 6/2003 Conomos et al.  
 D476,466 S \* 7/2003 Schenone ..... D2/946  
 6,685,211 B2 2/2004 Iles

6,846,016 B2 1/2005 VanDenberg et al.  
 D501,975 S 2/2005 Marsh et al.  
 6,874,764 B2 4/2005 Drake, III  
 6,893,006 B2 5/2005 Drake, III  
 D509,039 S 8/2005 Peschmann et al.  
 D527,509 S 8/2006 Johns  
 D544,674 S 6/2007 Hsieh  
 7,270,345 B2 9/2007 Goettker  
 D560,324 S 1/2008 Drake  
 D561,424 S 2/2008 Drake  
 7,325,786 B2 2/2008 Drake, III  
 D568,575 S 5/2008 Walstrom et al.  
 D570,072 S 5/2008 Walstrom et al.  
 7,407,151 B2 8/2008 Rabska et al.  
 D577,175 S 9/2008 Walstrom et al.  
 D595,922 S 7/2009 Walstrom et al.  
 7,648,154 B2 \* 1/2010 Green ..... 280/475  
 8,181,983 B2 \* 5/2012 Walstrom et al. .... 280/475  
 RE43,535 E 7/2012 Roll  
 8,348,241 B2 1/2013 Trowbridge et al.  
 8,523,148 B2 9/2013 Beck et al.  
 8,840,087 B2 \* 9/2014 Guyard ..... 254/97  
 2002/0116881 A1 8/2002 Zimmerman  
 2003/0089898 A1 5/2003 Straw, Sr. et al.  
 2004/0159826 A1 8/2004 Peschmann et al.  
 2005/0073130 A1 4/2005 McGlothlin

OTHER PUBLICATIONS

Lunde Lift Systems, Pack more leisure into your next adventure., p. 1, www.trailer-solutions.com/hydraulic-big1.htm, Aug. 24, 2007.  
 Lunde Life Systems, Pack more leisure into your next adventure., pp. 1-2, www.trailer-solutions.com/lunde.htm, Aug. 24, 2007.  
 Lunde Life Systems, Pack more leisure into your next adventure., p. 1, www.trailer-solutions.com/hydraulic-big2.htm, Aug. 24, 2007.  
 Lunde Life Systems, Pack more leisure into your next adventure., p. 1, www.trailer-solutions.com/hydraulic-big3.htm, Aug. 24, 2007.  
 Lunde Life Systems, Pack more leisure into your next adventure., p. 1; www.trailer-solutions.com/hydraulic-big4.htm, Aug. 24, 2007.

\* cited by examiner

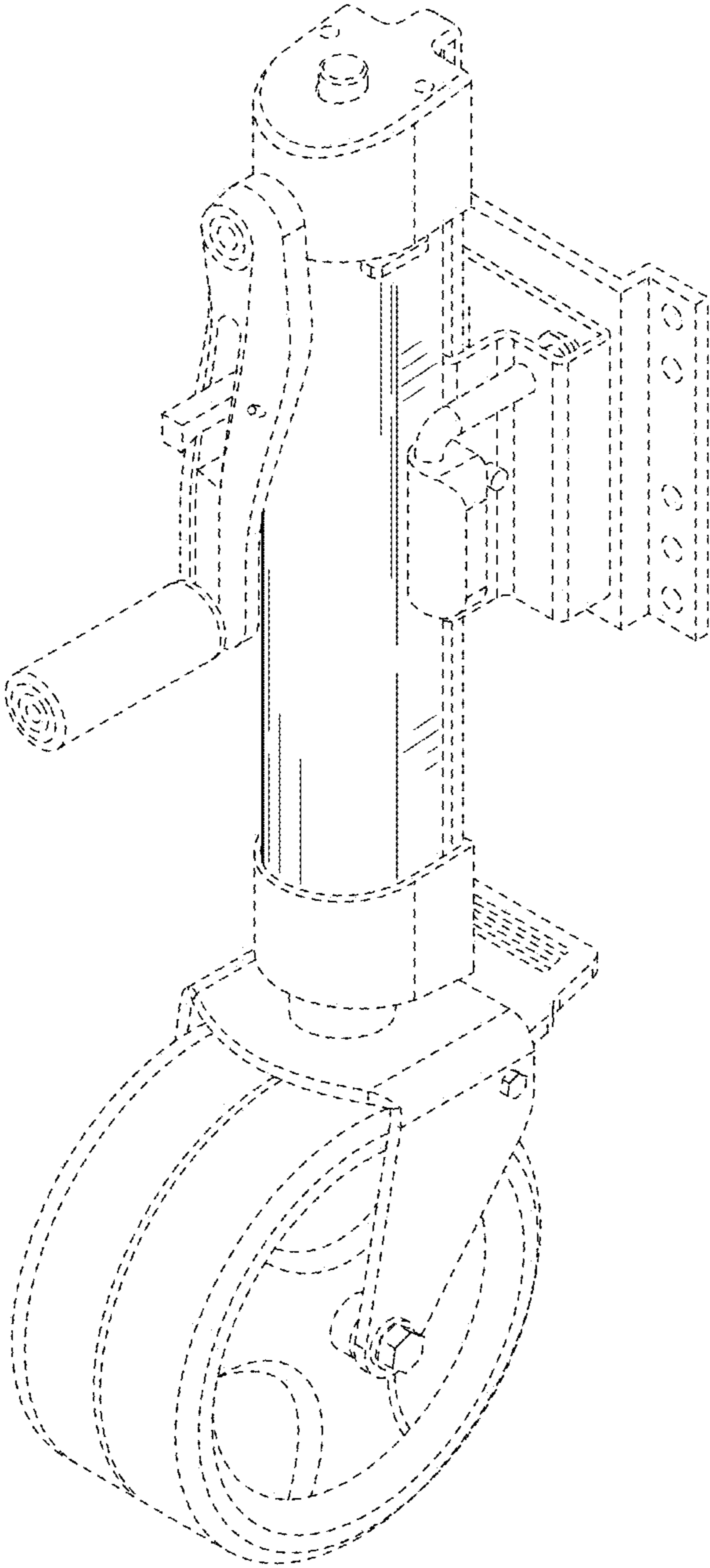


FIG. 1

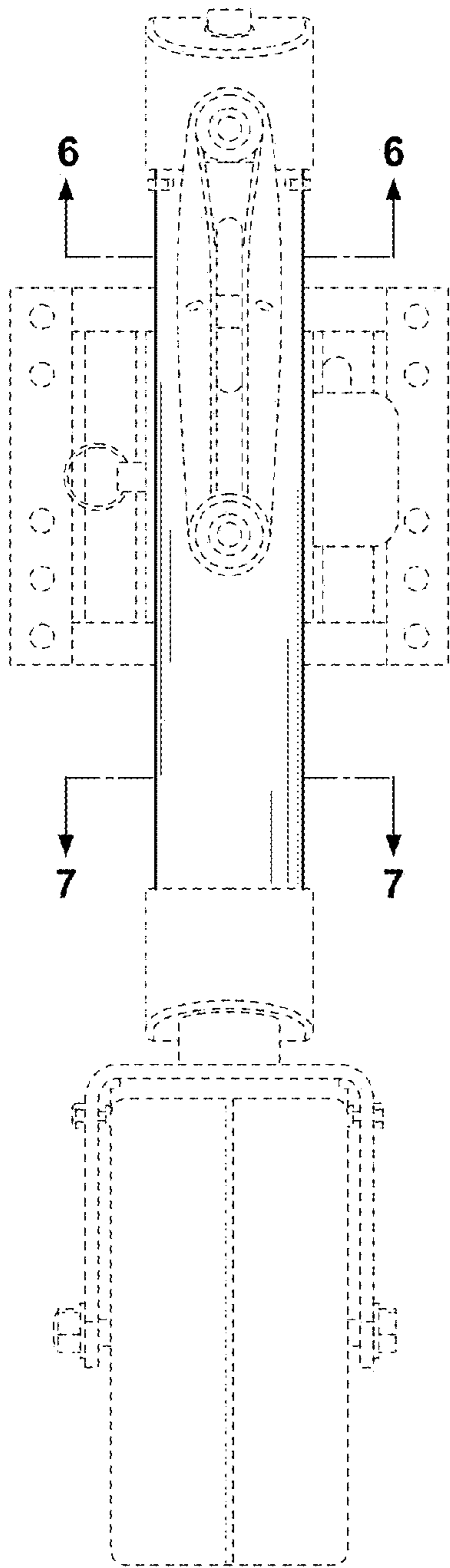


FIG. 2

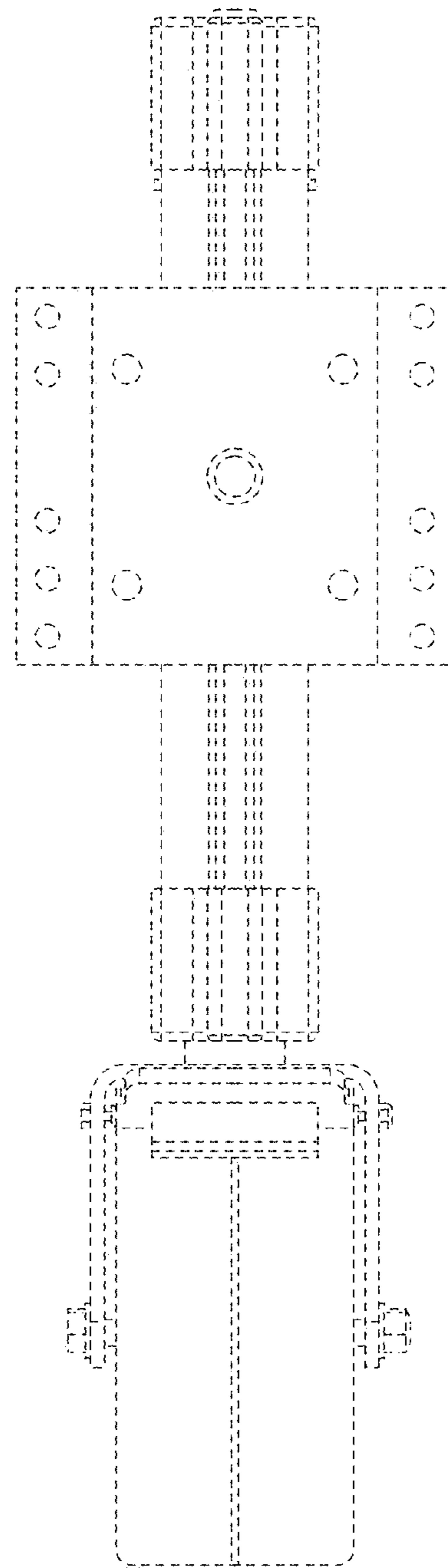


FIG. 3

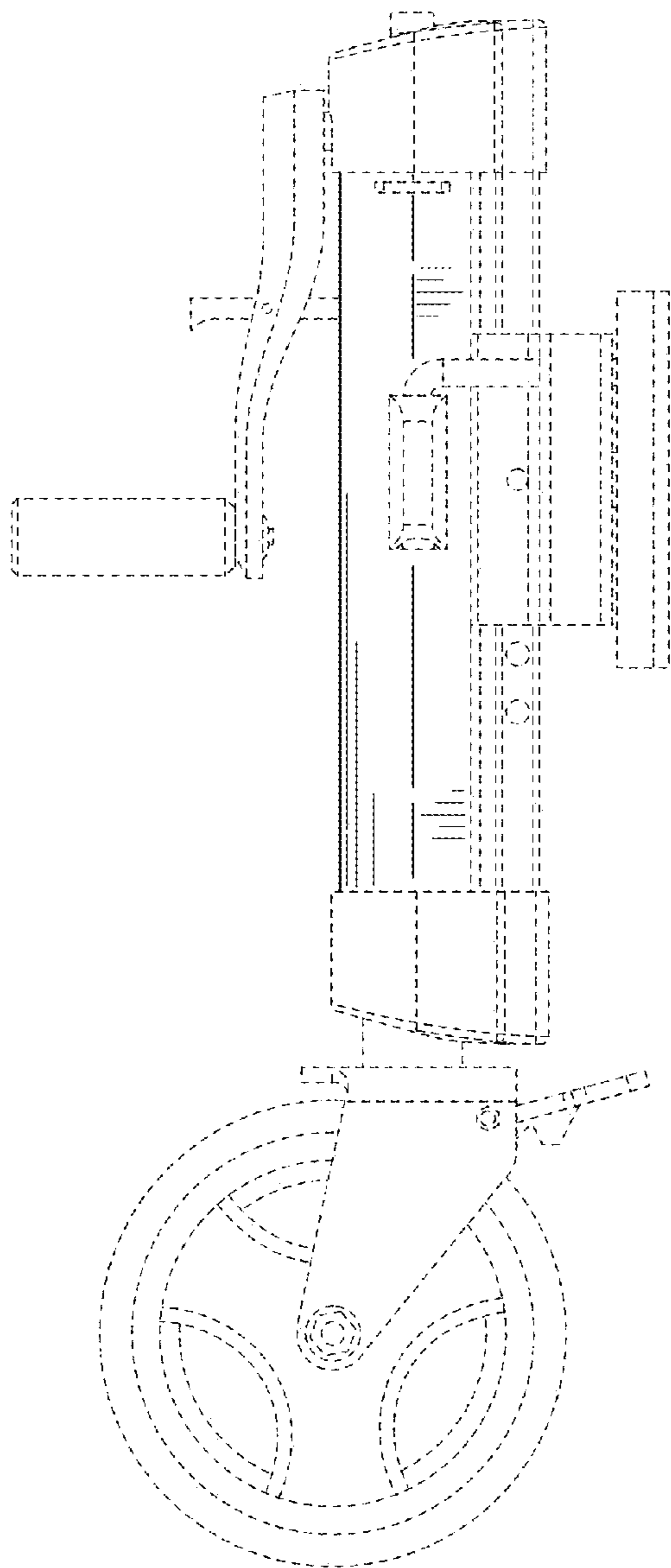


FIG. 4

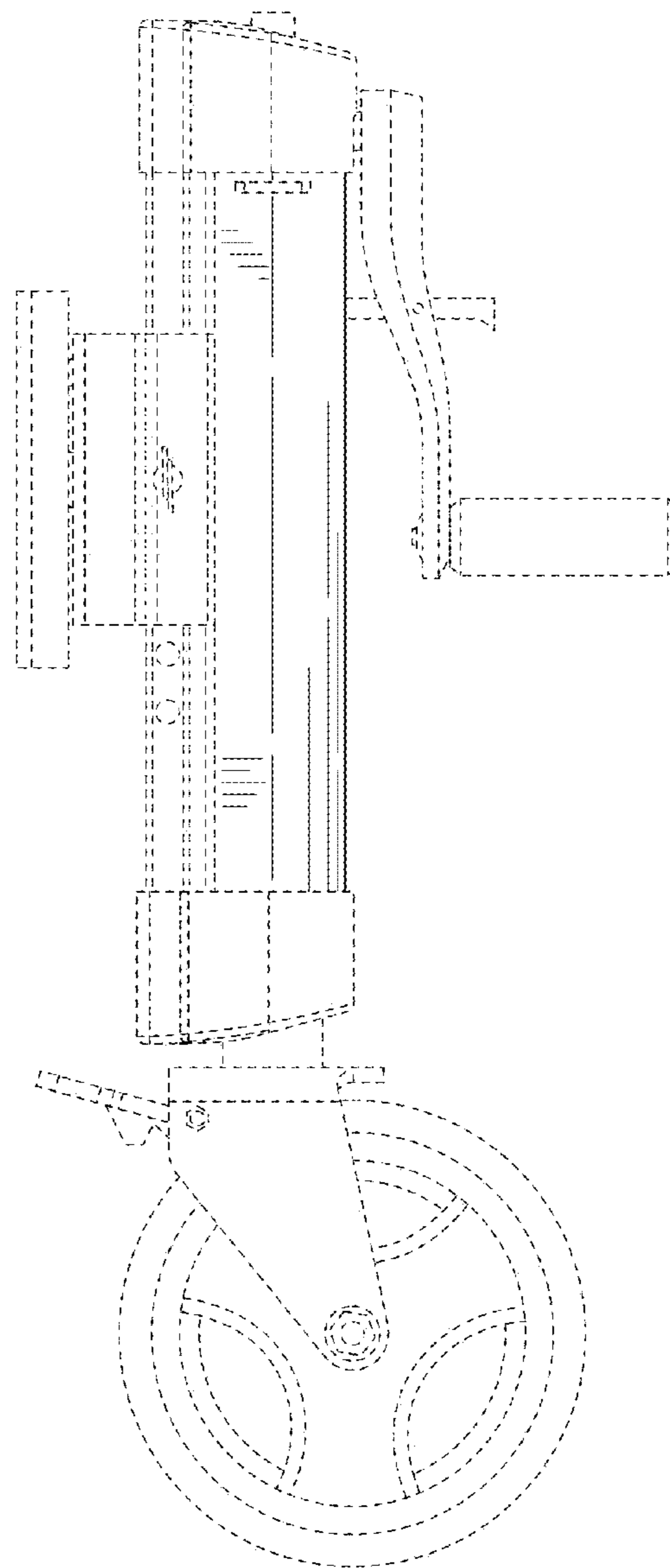


FIG. 5

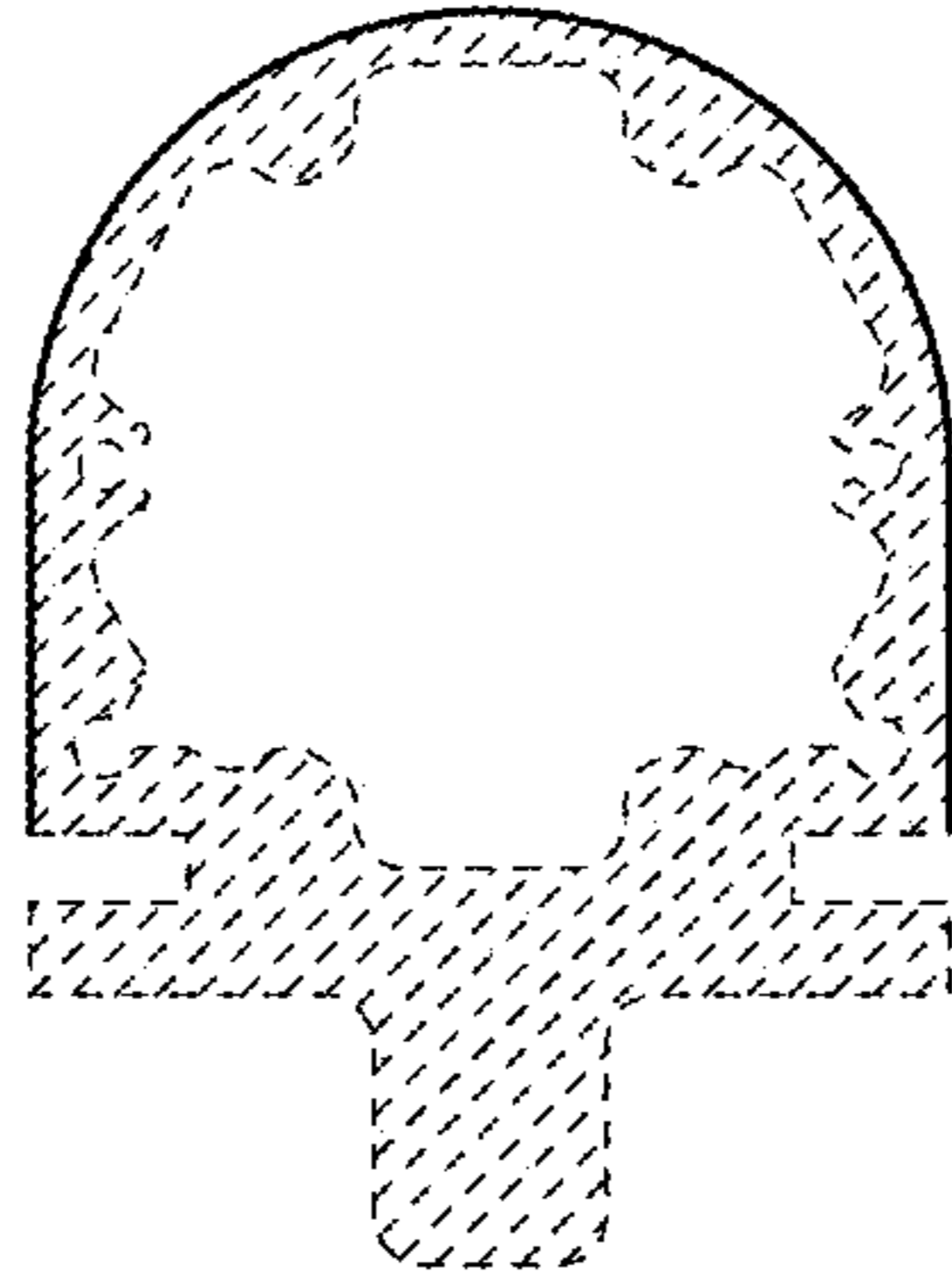


FIG. 6

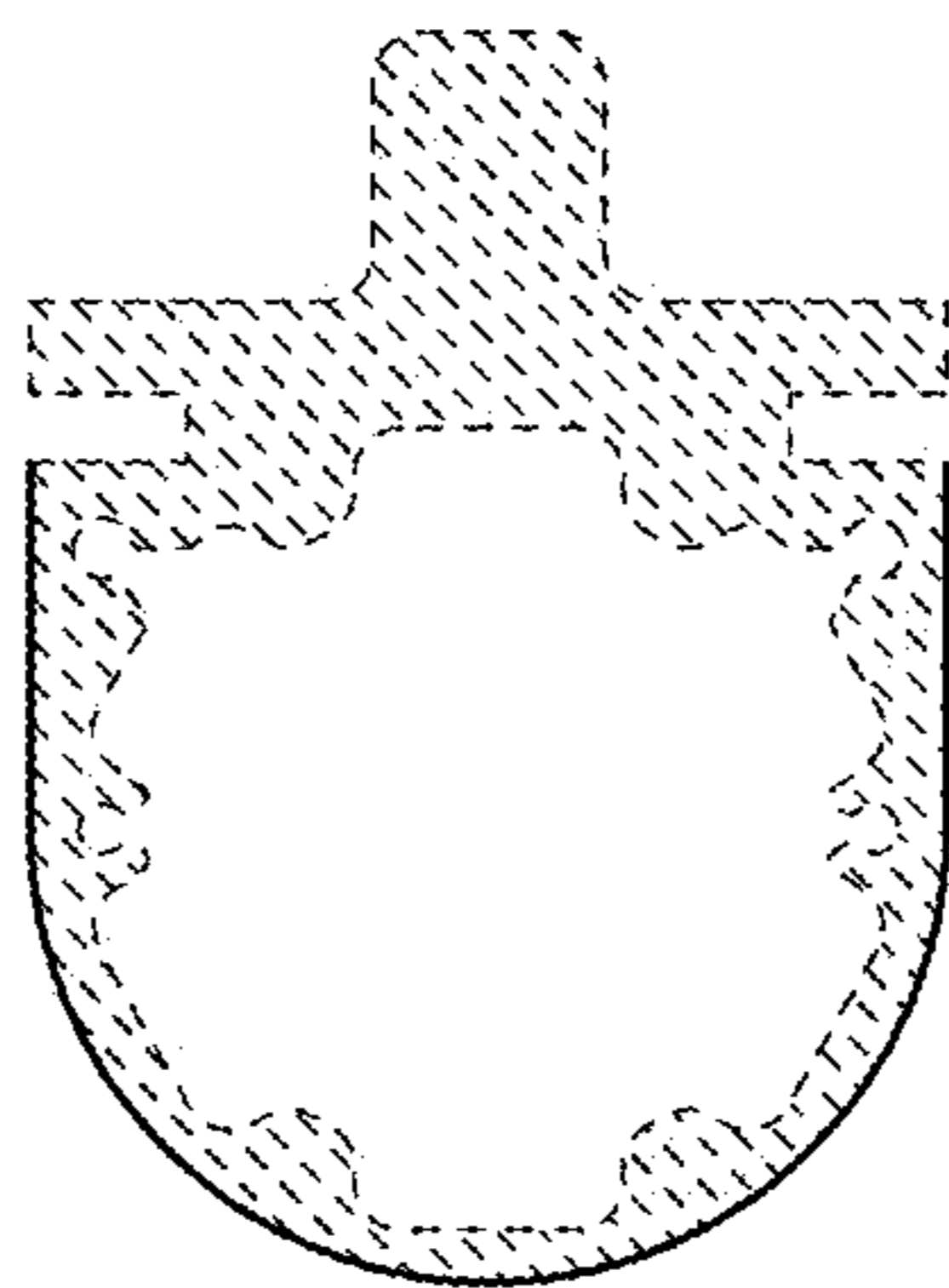


FIG. 7