



US00D727210S

(12) **United States Design Patent**
Grake et al.

(10) **Patent No.:** **US D727,210 S**
(45) **Date of Patent:** **** Apr. 21, 2015**

(54) **VEHICLE EXTERIOR**

- (71) Applicant: **Ford Motor Company**, Dearborn, MI (US)
- (72) Inventors: **James E. Grake**, Beverly Hills, MI (US); **George Bucher**, Dearborn, MI (US); **Michael Smith**, Plymouth, MI (US); **Joel Piaskowski**, West Bloomfield, MI (US)
- (73) Assignee: **Ford Motor Company**, Dearborn, MI (US)
- (**) Term: **14 Years**
- (21) Appl. No.: **29/482,367**
- (22) Filed: **Feb. 18, 2014**
- (51) **LOC (10) Cl.** **12-08**
- (52) **U.S. Cl.**
USPC **D12/91**
- (58) **Field of Classification Search**
CPC B62D 35/00; B62D 25/00; B62D 25/06;
B62D 33/00
USPC D12/86, 90-92; D21/421, 433, 434;
296/181.1, 181.5
See application file for complete search history.

(56) **References Cited**

U.S. PATENT DOCUMENTS

D505,095 S *	5/2005	Frye	D12/91
D524,190 S *	7/2006	Fisker et al.	D12/91
D671,454 S *	11/2012	Davidson et al.	D12/91
D693,737 S *	11/2013	Hammoud et al.	D12/91
D704,098 S *	5/2014	Gueler et al.	D12/91
D706,171 S *	6/2014	Bischoff et al.	D12/91
D711,286 S *	8/2014	Suzuki et al.	D12/91
D716,696 S *	11/2014	Thole et al.	D12/91

* cited by examiner

Primary Examiner — Melody N Brown

(74) *Attorney, Agent, or Firm* — Damian Porcari

(57) **CLAIM**

The ornamental design for a vehicle exterior, as shown and described.

DESCRIPTION

FIG. 1 is a perspective view of a vehicle exterior;
FIG. 2 is another perspective view thereof;
FIG. 3 is a front elevational view thereof;
FIG. 4 is a rear elevational view thereof;
FIG. 5 is a left side elevational view thereof;
FIG. 6 is a right side elevational view thereof; and,
FIG. 7 is a top plan view thereof.

1 Claim, 7 Drawing Sheets



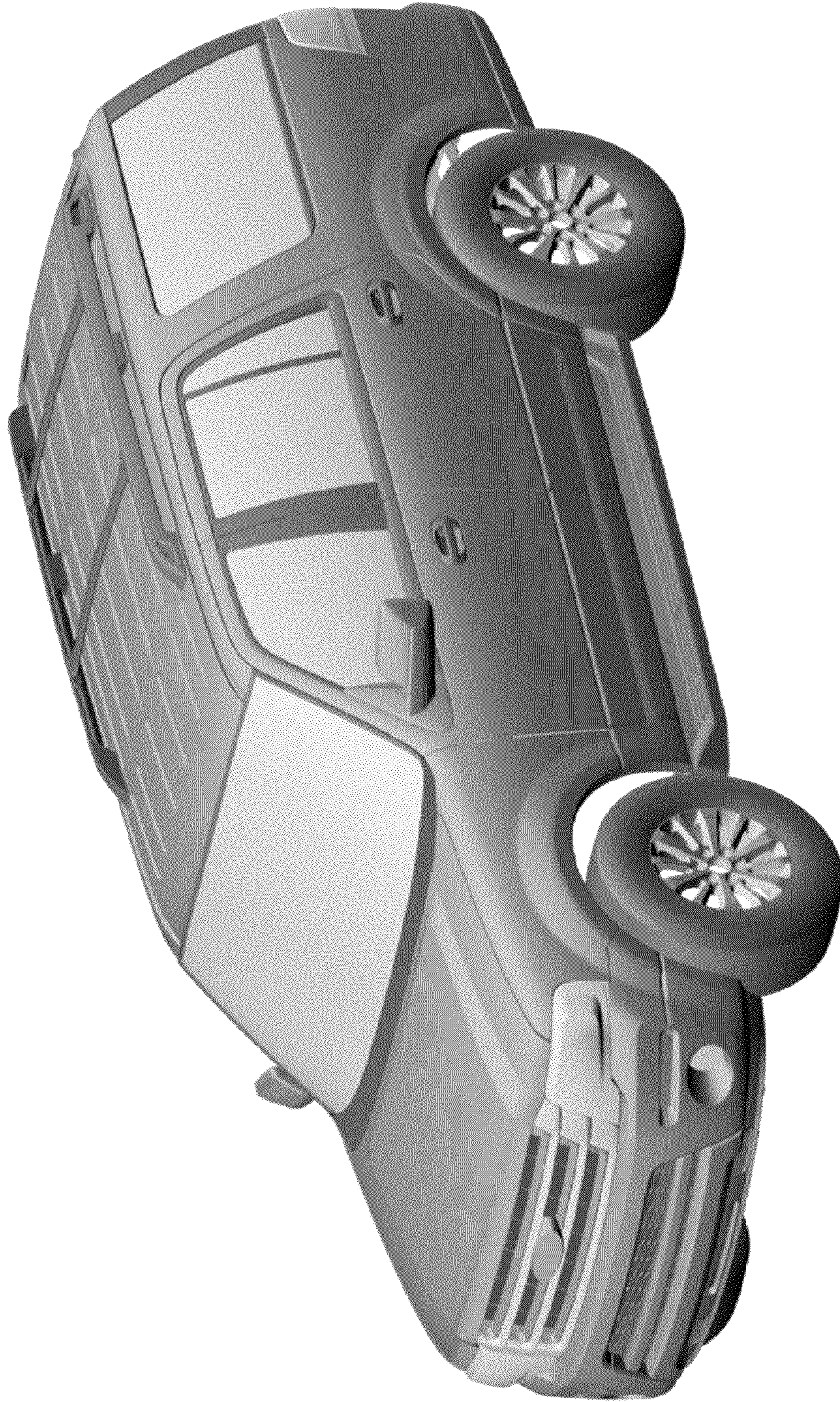


Figure 1

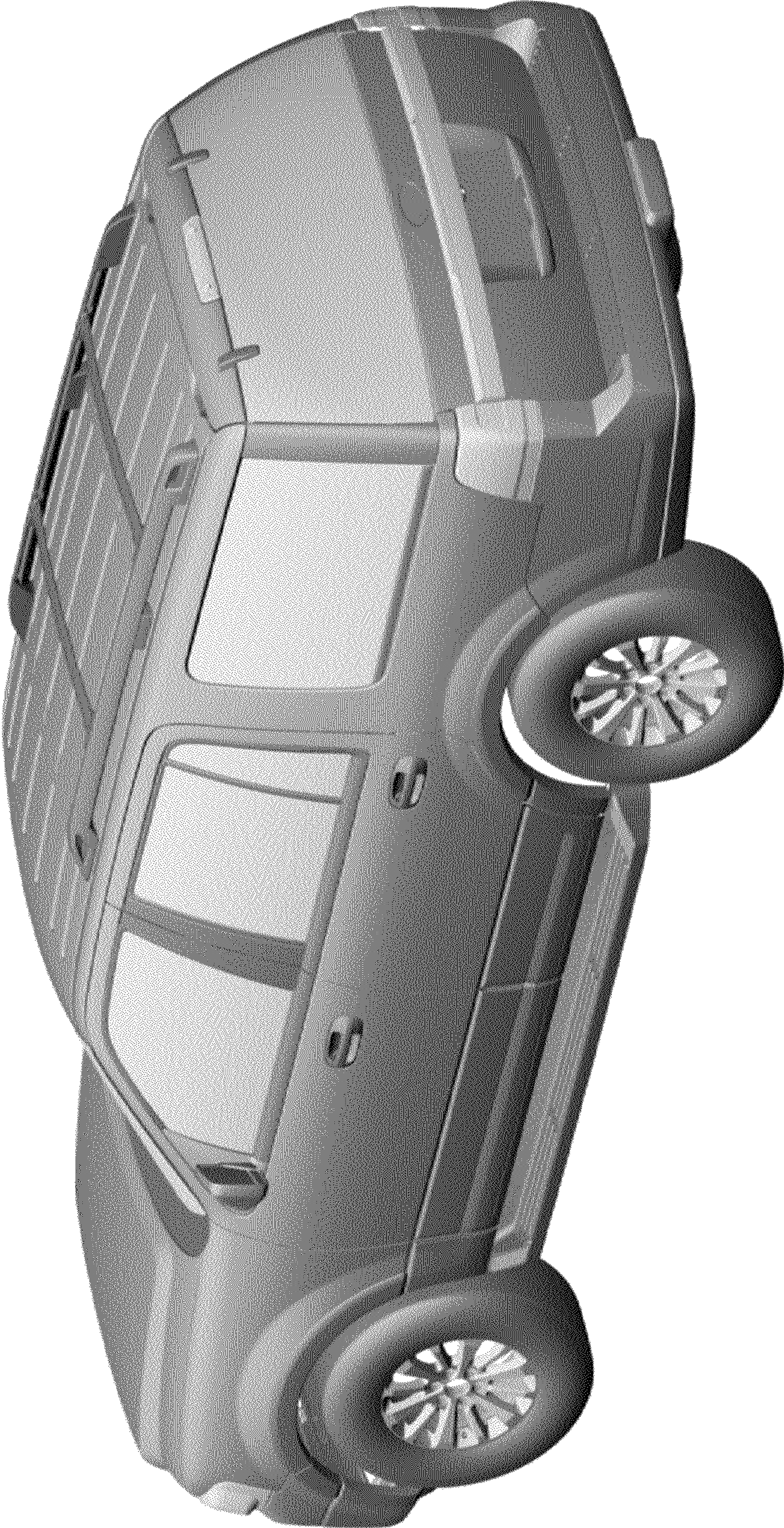


Figure 2

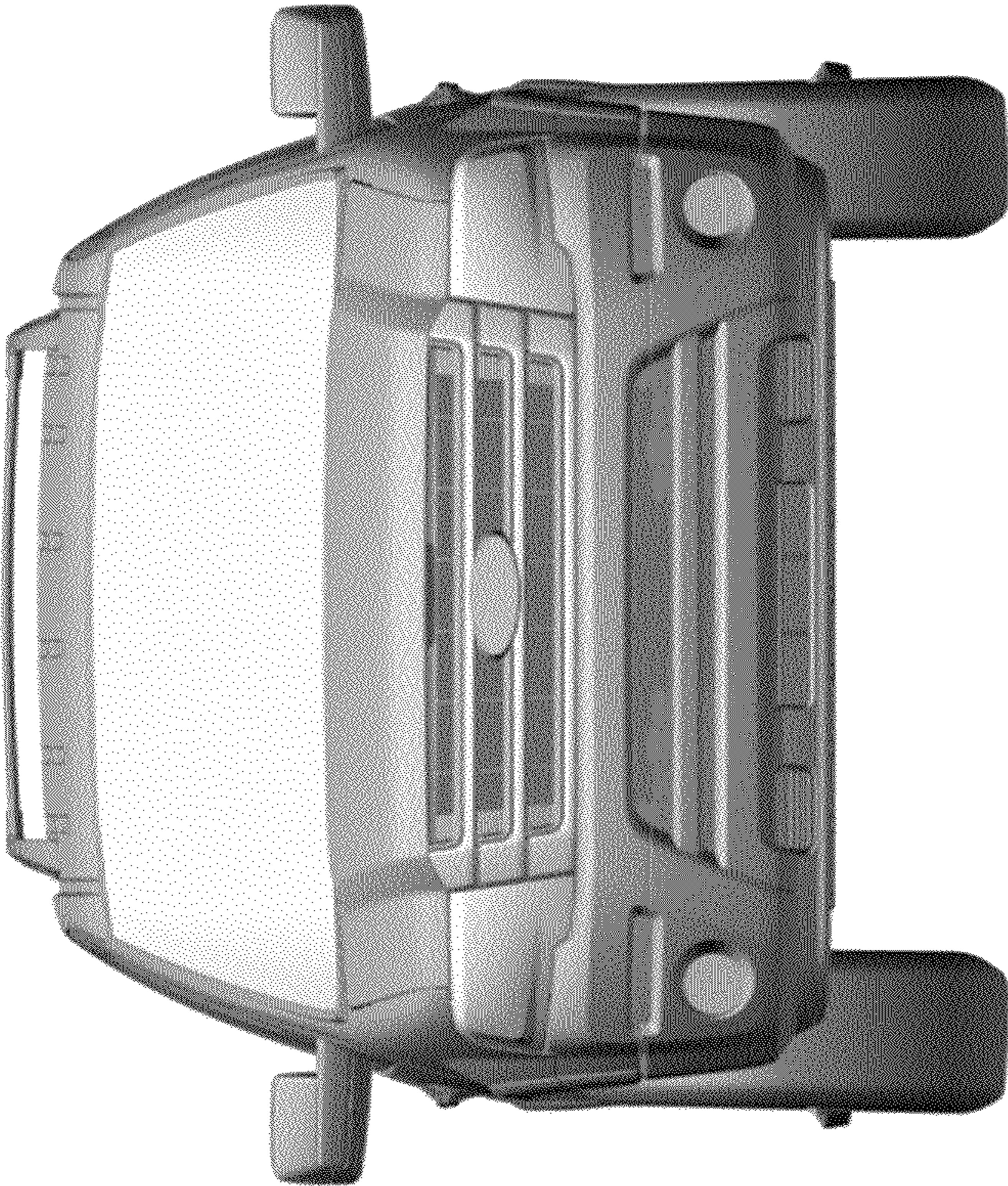


Figure 3

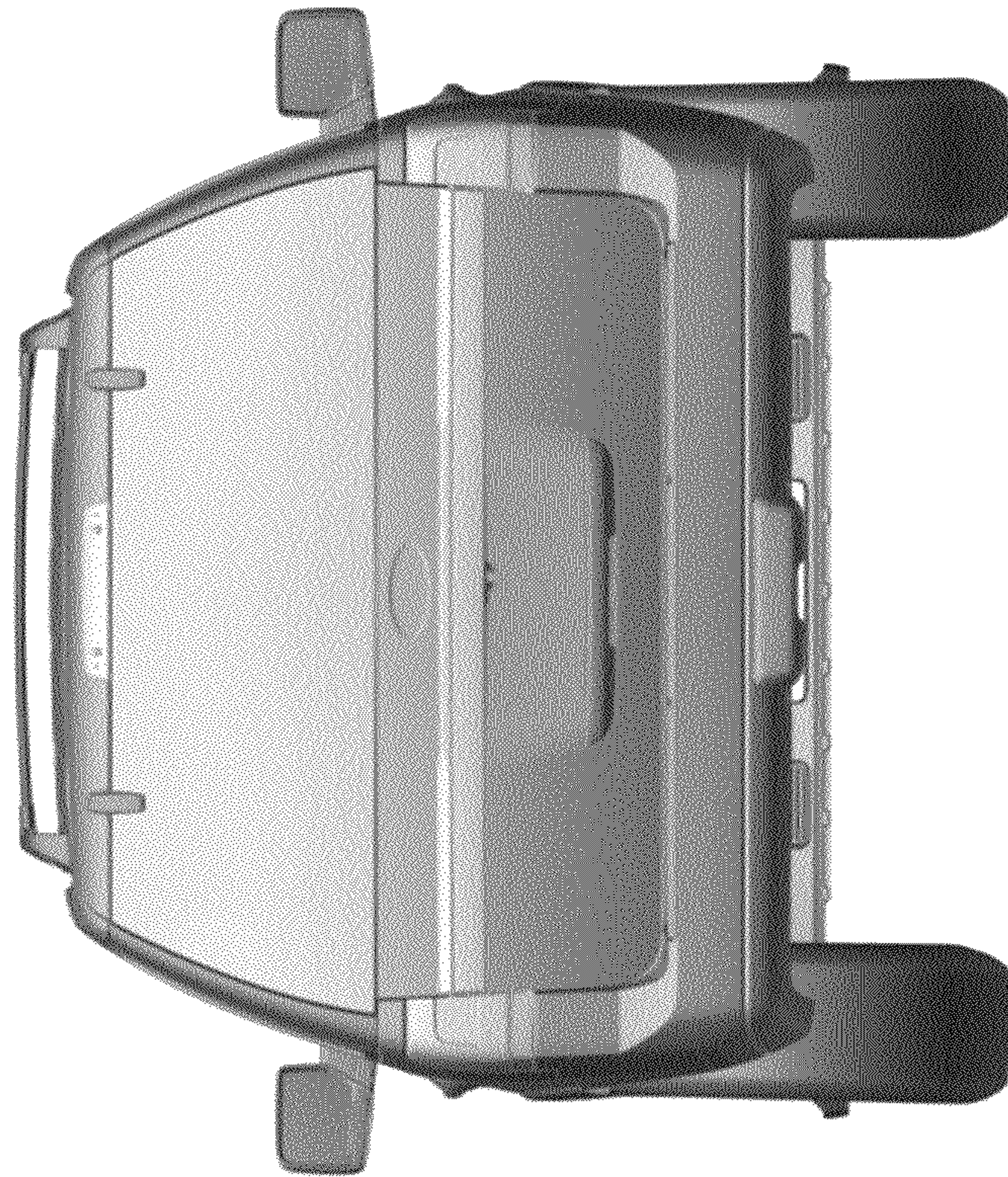


Figure 4



Figure 5



Figure 6

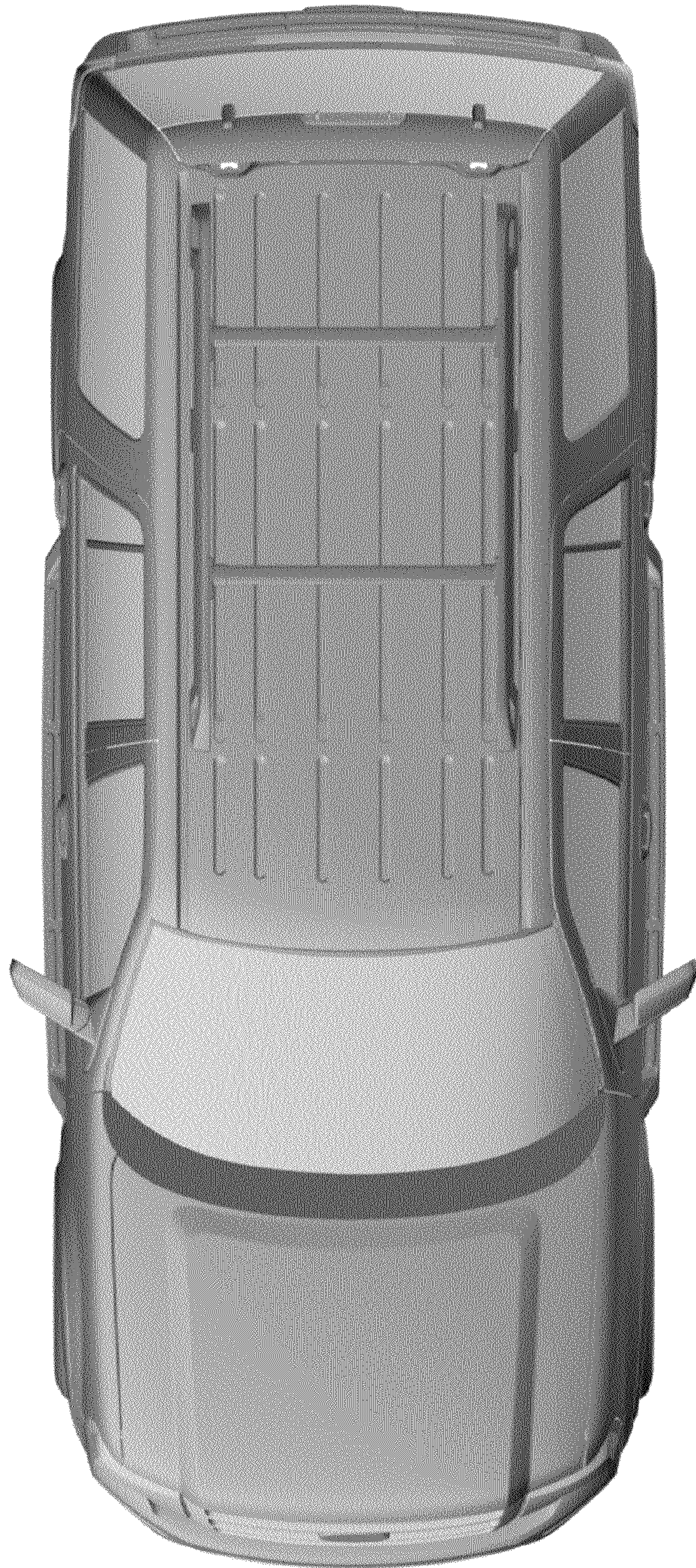


Figure 7