



US00D727209S

(12) **United States Design Patent**
Kawasaki et al.

(10) **Patent No.:** **US D727,209 S**
(45) **Date of Patent:** **** Apr. 21, 2015**

(54) **MOTOR VEHICLE AND/OR TOY REPLICA THEREOF**

(71) Applicants: **Masakazu Kawasaki**, Nagoya (JP); **Hideo Koyama**, Tokai (JP); **Shun Kawaguchi**, Nagoya (JP)

(72) Inventors: **Masakazu Kawasaki**, Nagoya (JP); **Hideo Koyama**, Tokai (JP); **Shun Kawaguchi**, Nagoya (JP)

(73) Assignee: **Toyota Jidosha Kabushiki Kaisha** (JP)

(**) Term: **14 Years**

(21) Appl. No.: **29/471,428**

(22) Filed: **Oct. 31, 2013**

Related U.S. Application Data

(62) Division of application No. 29/425,612, filed on Jun. 25, 2012.

(51) **LOC (10) Cl.** **12-08**

(52) **U.S. Cl.**
USPC **D12/91**

(58) **Field of Classification Search**
USPC D12/86, 88, 90, 91, 92; D21/424, 433, D21/434; 296/181.1, 181.5
See application file for complete search history.

(56) **References Cited**

U.S. PATENT DOCUMENTS

D563,833	S *	3/2008	Suga et al.	D12/91
D564,412	S *	3/2008	Suga et al.	D12/91
D572,628	S *	7/2008	Nakajima	D12/90
D608,694	S *	1/2010	Okue et al.	D12/91
D624,850	S *	10/2010	Yagi et al.	D12/91
D635,058	S *	3/2011	Neuchi et al.	D12/91
D640,601	S *	6/2011	Kumai et al.	D12/91
7,988,453	B2 *	8/2011	Loo et al.	439/34
8,011,718	B2 *	9/2011	Tsuyuzaki et al.	296/203.04

D652,351	S *	1/2012	Ikuma et al.	D12/91
D655,648	S *	3/2012	Imaiida et al.	D12/91
D657,716	S *	4/2012	Cartabiano et al.	D12/91
D689,397	S *	9/2013	Koyama et al.	D12/90

OTHER PUBLICATIONS

Toyota Matrix 2013. Electronic Brochure. Dec. 21, 2011 [online], [retrieved on Sep. 26, 2013]. Retrieved from the Internet <URL: http://www.auto-brochures.com/makes/Toyota/Matrix/Toyota_US%20Matrix_2013-v2.pdf>.*

2013 Subaru XV Crosstrek. Electronic Brochure. Apr. 5, 2012 [online], [retrieved on Sep. 26, 2013]. Retrieved from the Internet <URL: http://www.auto-brochures.com/makes/Subaru/XV%20Crosstrek/Subaru_US%20XVCrosstrek_2013-v1.pdf>.*

(Continued)

Primary Examiner — Philip S Hyder

Assistant Examiner — Darlington Ly

(74) *Attorney, Agent, or Firm* — Saidman DesignLaw Group, LLC

(57) **CLAIM**

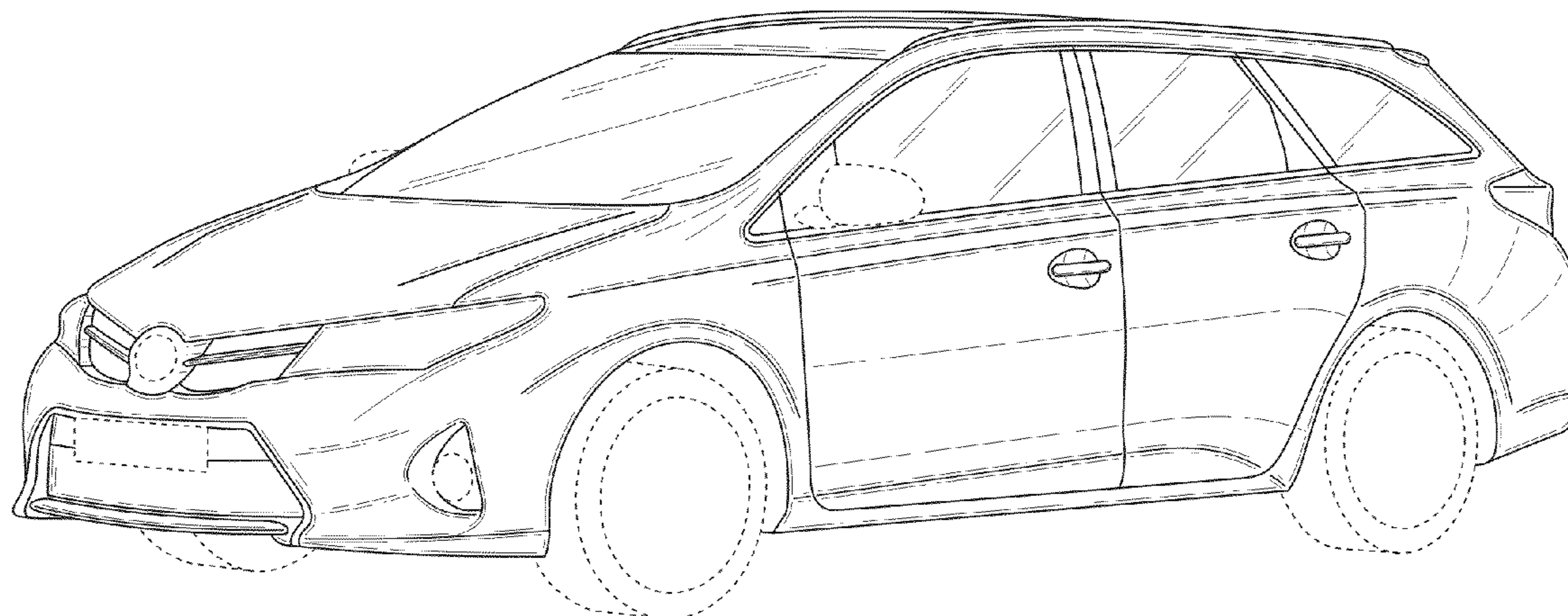
The ornamental design for a motor vehicle and/or toy replica thereof, as shown and described.

DESCRIPTION

FIG. 1 is a front perspective view of a motor vehicle and/or toy replica thereof showing our new design;
FIG. 2 is a rear perspective view thereof;
FIG. 3 is a right side view thereof, the left side being a mirror image;
FIG. 4 is a top view thereof;
FIG. 5 is a front view thereof; and,
FIG. 6 is a rear view thereof.

The broken line showing of the wheels, tires, side mirrors, license plate and brand emblems are included for the purpose of illustrating portions of the motor vehicle and/or toy replica thereof and form no part of the claimed design.

1 Claim, 6 Drawing Sheets



(56)

References Cited

OTHER PUBLICATIONS

Citroen, Citroen C4, NetCarShow.com, http://www.netcarshow.com/citroen/2011-c4/800x600/wallpaper_2b.htm, available at least as early as Jun. 25, 2011.

Mazda, Mazda 3, NetCarShow.com, http://www.netcarshow.com/mazda/2010-3_i-stop/800x600/wallpaper_04.htm, available at least as early as Jun. 25, 2011.

Renault, Renault Megane, NetCarShow.com, http://www.netcarshow.com/renault/2009-megane/800x600/wallpaper_od.htm, available at least as early as Jun. 25, 2011.

BMW, BMW 3 Series Touring, NetCarShow.com, http://www.netcarshow.com/bmw/2009-3-series_touring/800x600/wallpaper_09.htm, available at least as early as Jun. 25, 2011.

Opel, Opel Astra Tourer, NetCarShow.com, http://www.netcarshow.com/opel/2011-astra_sports_tourer/800x600/wallpaper_1b.htm, available at least as early as Jun. 25, 2011.

Ford, Ford Focus Estate, NetCarShow.com, http://www.netcarshow.com/ford/2011-focus_estate/800x600/wallpaper_08.htm, available at least as early as Jun. 25, 2011.

* cited by examiner

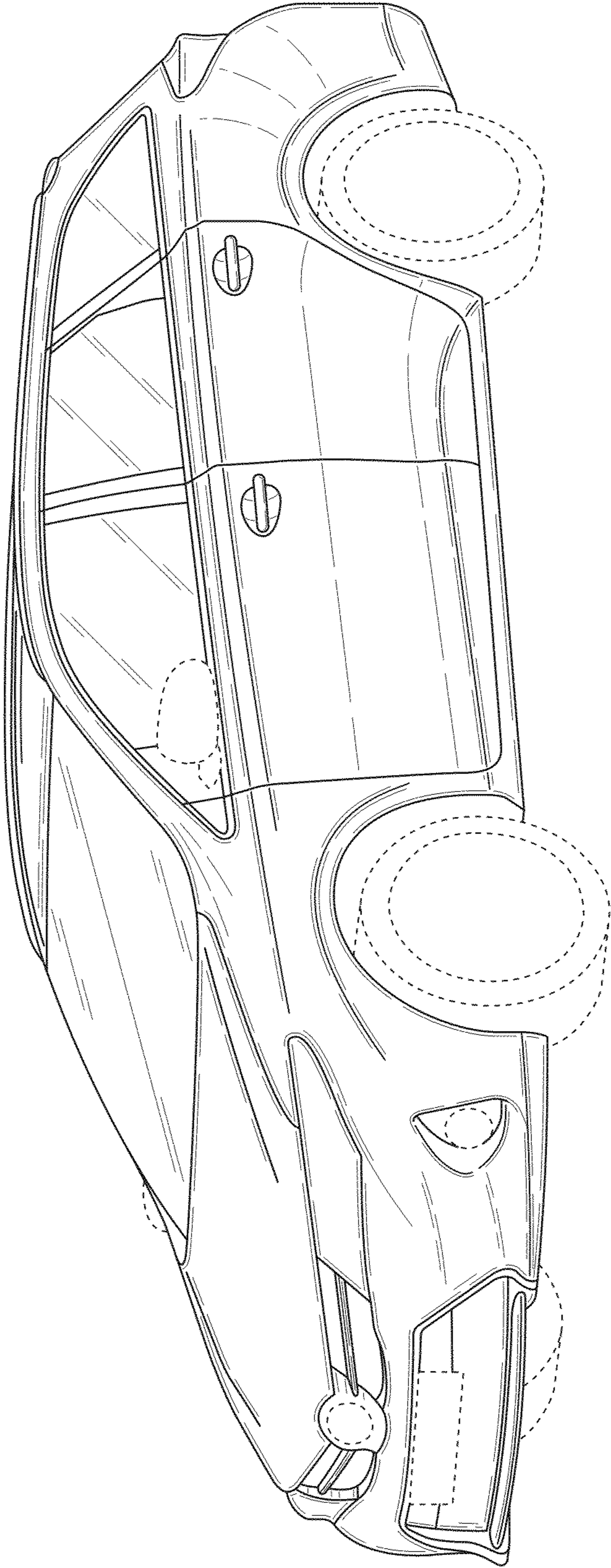


Fig. 1

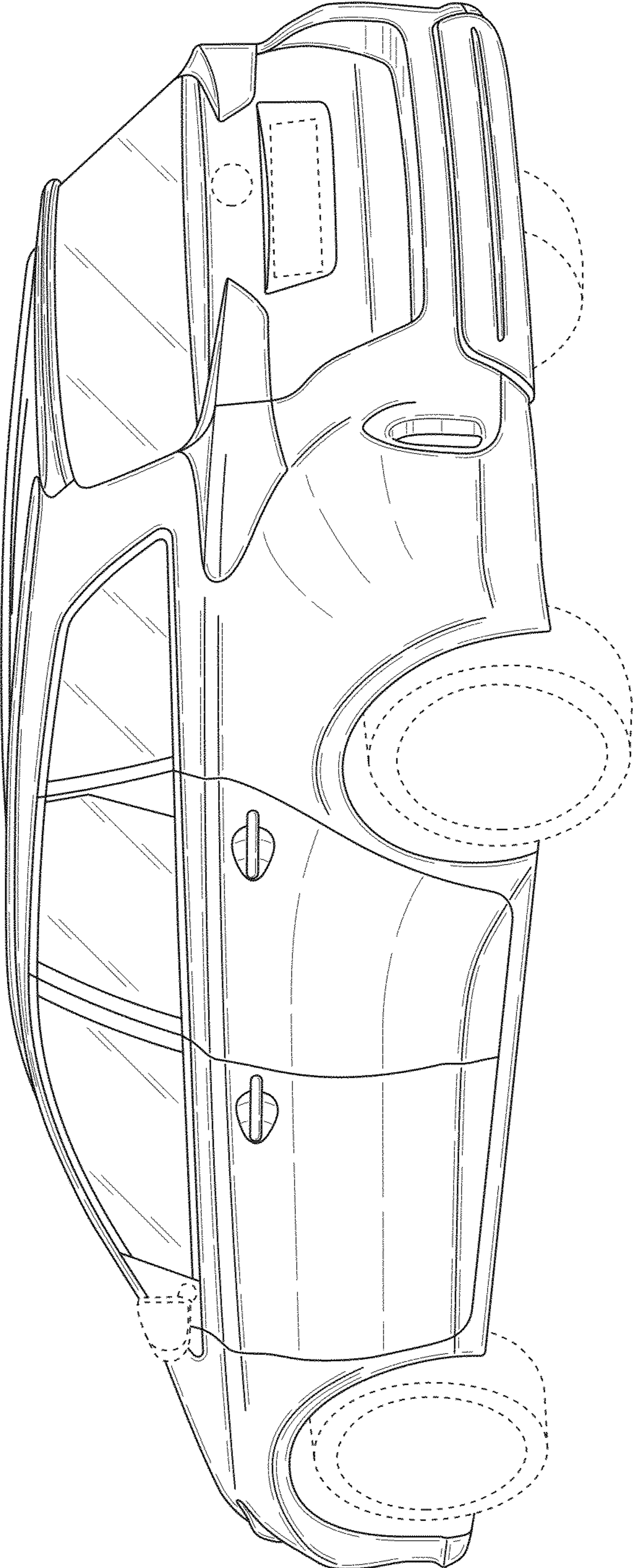


Fig. 2

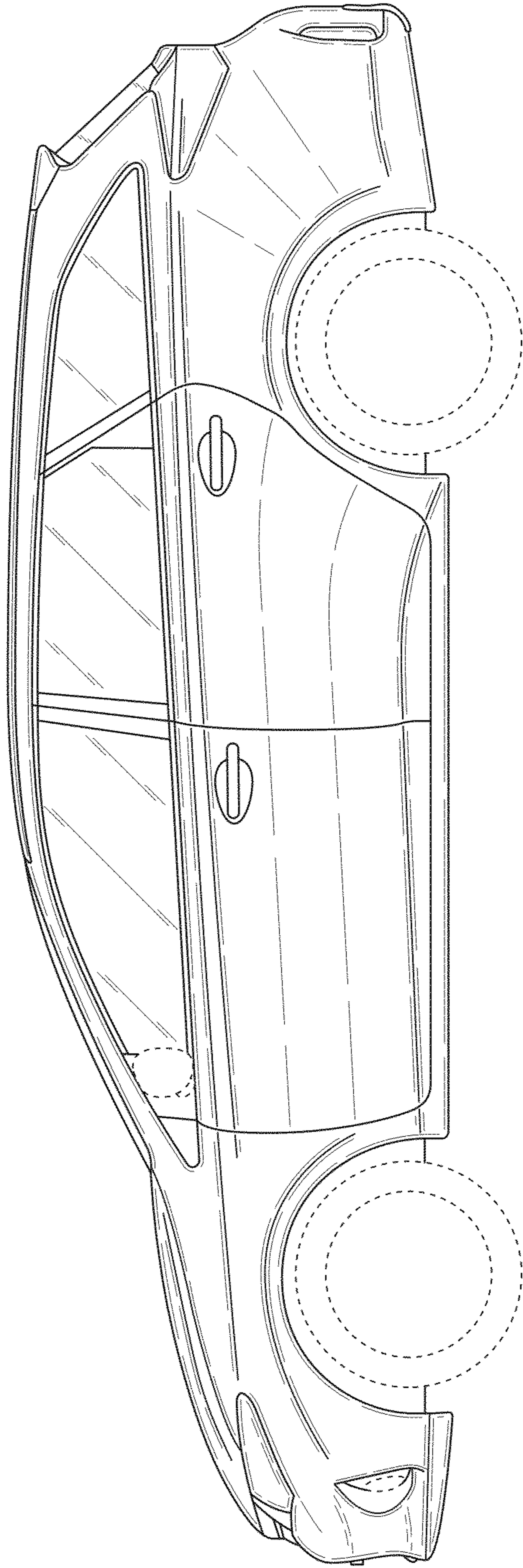


Fig. 3

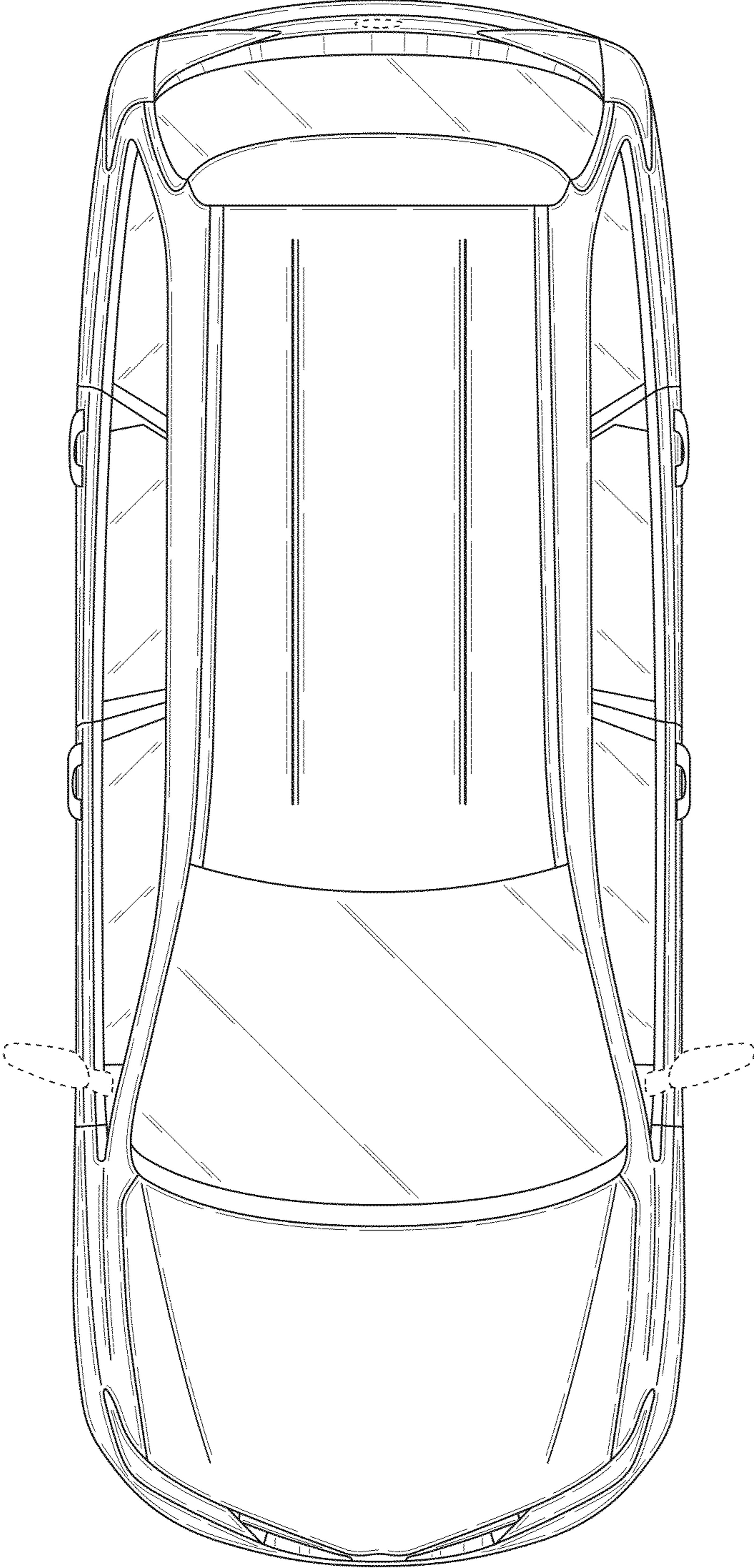


Fig. 4

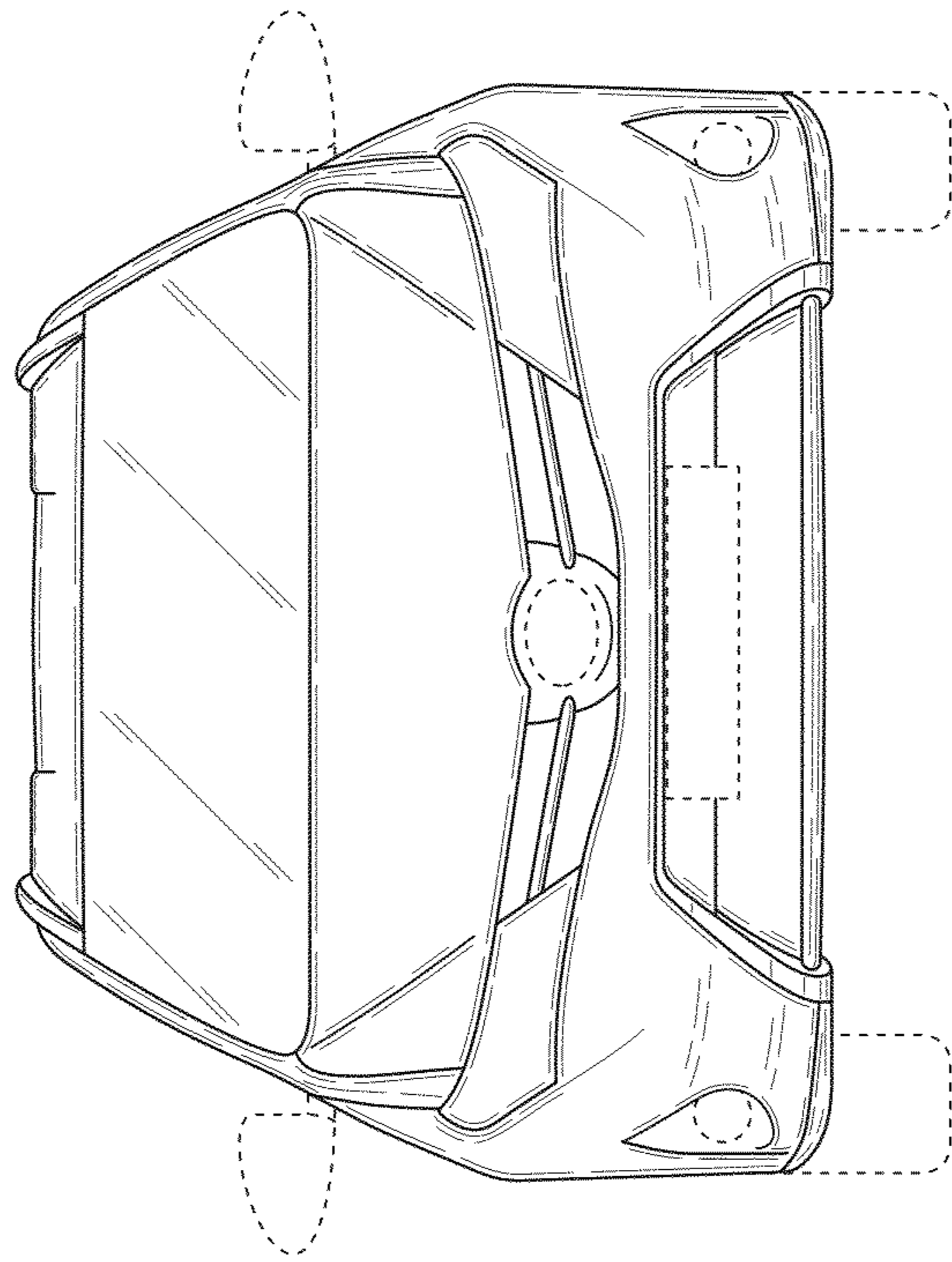


Fig. 5

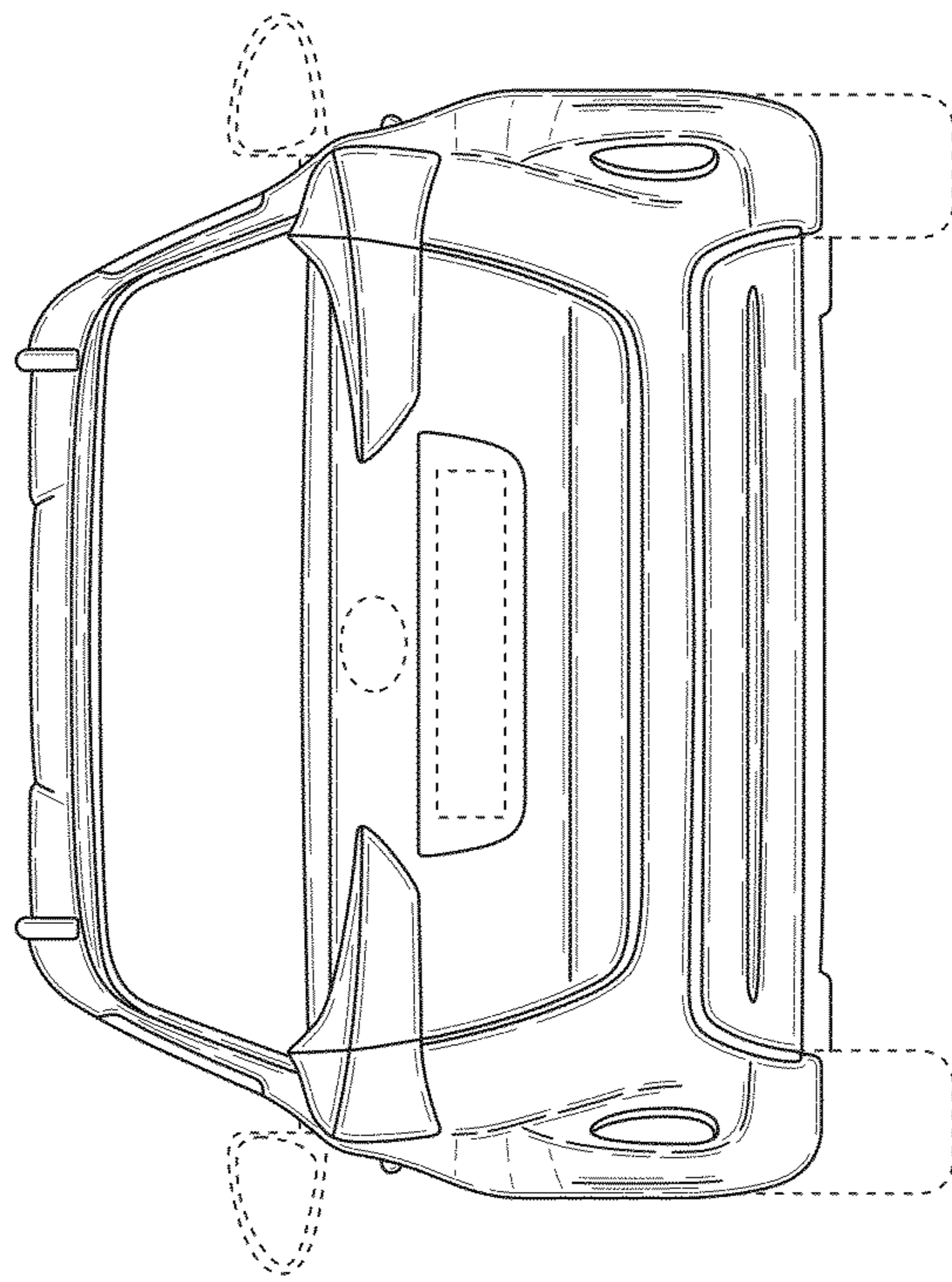


Fig. 6