



US00D727208S

(12) **United States Design Patent**
Allison

(10) **Patent No.:** **US D727,208 S**

(45) **Date of Patent:** **** Apr. 21, 2015**

(54) **CAR, TOY REPLICA AND/OR OTHER REPLICAS**

(71) Applicant: **Ferrari S.p.A.**, Modena (IT)

(72) Inventor: **James Shakespeare Allison**, Maranello (IT)

(73) Assignee: **Ferrari S.p.A.**, Modena (IT)

(**) Term: **14 Years**

(21) Appl. No.: **29/496,181**

(22) Filed: **Jul. 10, 2014**

(30) **Foreign Application Priority Data**

Jan. 22, 2014 (EM) 001400428

Jan. 22, 2014 (EM) 001400436

(51) **LOC (10) Cl.** **12-08**

(52) **U.S. Cl.**
USPC **D12/88**

(58) **Field of Classification Search**
USPC D12/86, 90-92, 88; D21/424, 433, 434;
296/181.1, 181.5

See application file for complete search history.

(56) **References Cited**

U.S. PATENT DOCUMENTS

D528,041 S *	9/2006	Costa	D12/88
D552,510 S *	10/2007	Costa	D12/88
D576,918 S *	9/2008	Taylor et al.	D12/88
D577,314 S *	9/2008	Dockery	D12/88
D597,442 S *	8/2009	Steinhauser	D12/88
D610,949 S *	3/2010	Tombazis	D12/88
D630,552 S *	1/2011	Tombazis	D12/88
D665,306 S *	8/2012	Tombazis	D12/88
D707,590 S *	6/2014	Bowlby	D12/88
D710,252 S *	8/2014	Tombazis	D12/88
D714,188 S *	9/2014	Bowlby	D12/88

* cited by examiner

Primary Examiner — Melody N. Brown

(74) *Attorney, Agent, or Firm* — Cowan, Liebowitz & Latman, P.C.

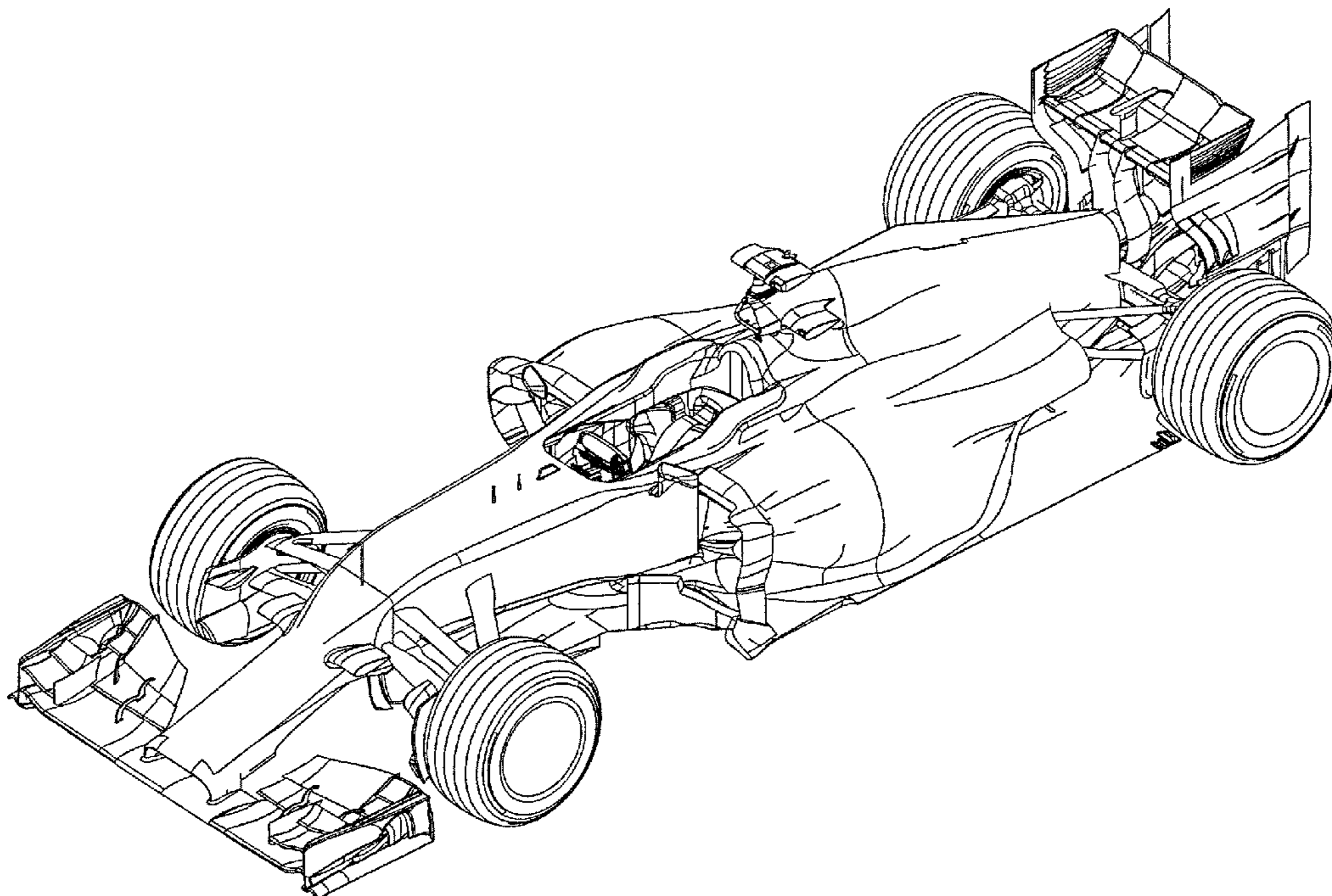
(57) **CLAIM**

The ornamental design for a car, toy replica and/or other replicas, as shown and described.

DESCRIPTION

FIG. 1 is a front perspective view of the car, toy replica and/or other replicas showing my design thereof;
FIG. 2 is a rear perspective view thereof;
FIG. 3 is a front view thereof;
FIG. 4 is a rear view thereof;
FIG. 5 is a side view thereof, with the opposite side view being identical; and,
FIG. 6 is a top plan view thereof.

1 Claim, 6 Drawing Sheets



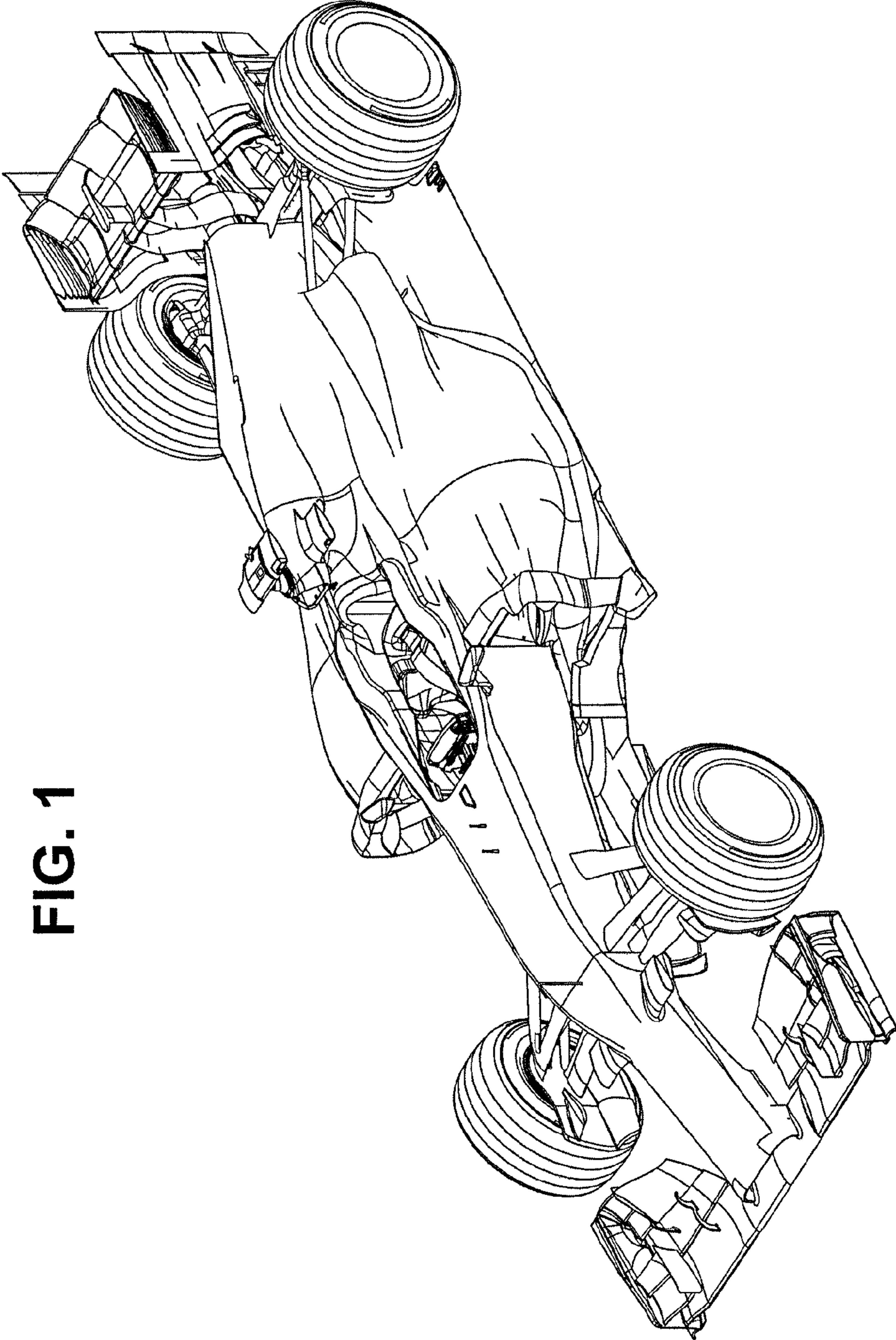


FIG. 1

FIG. 2

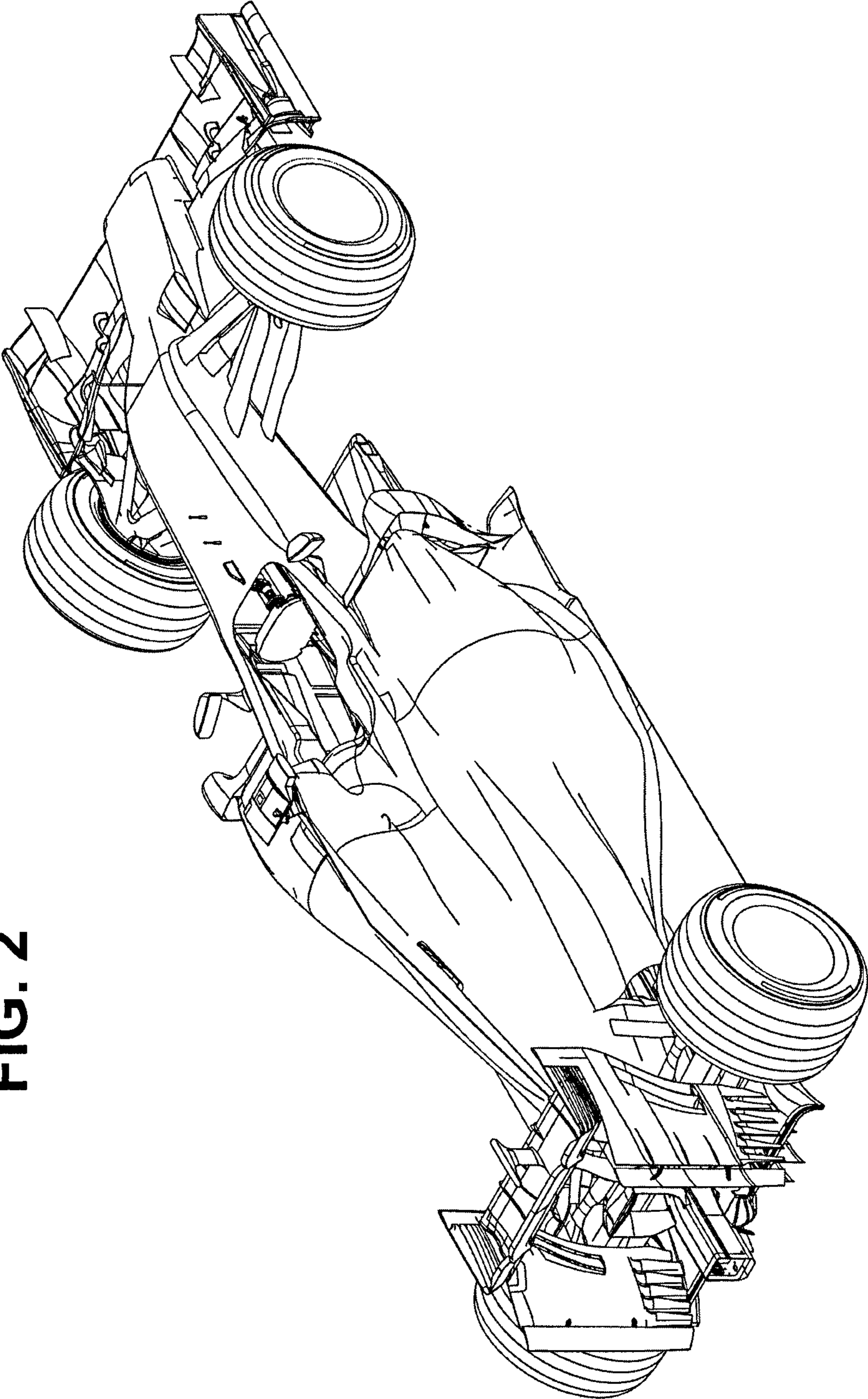


FIG. 3

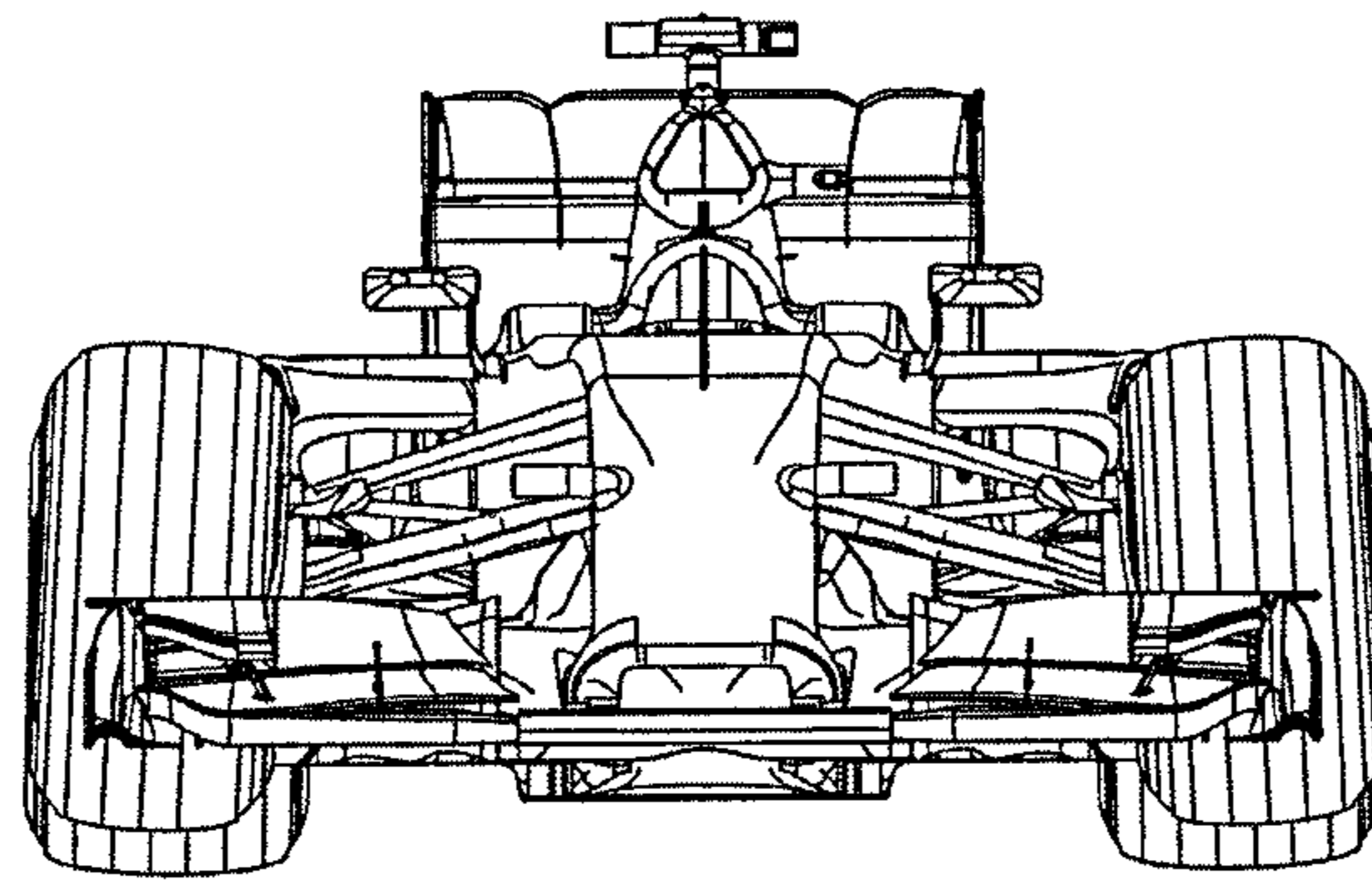


FIG. 4

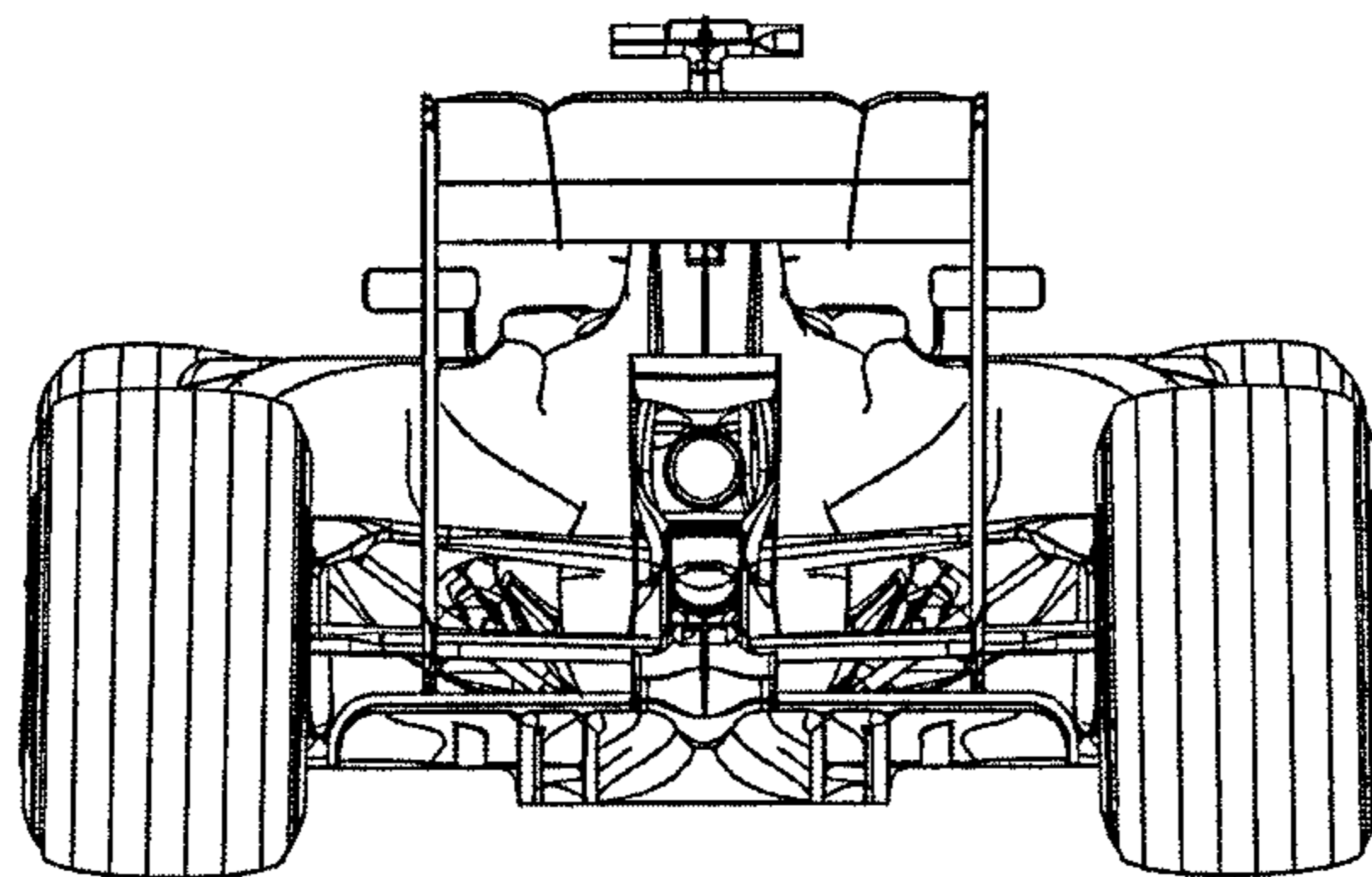


FIG. 5

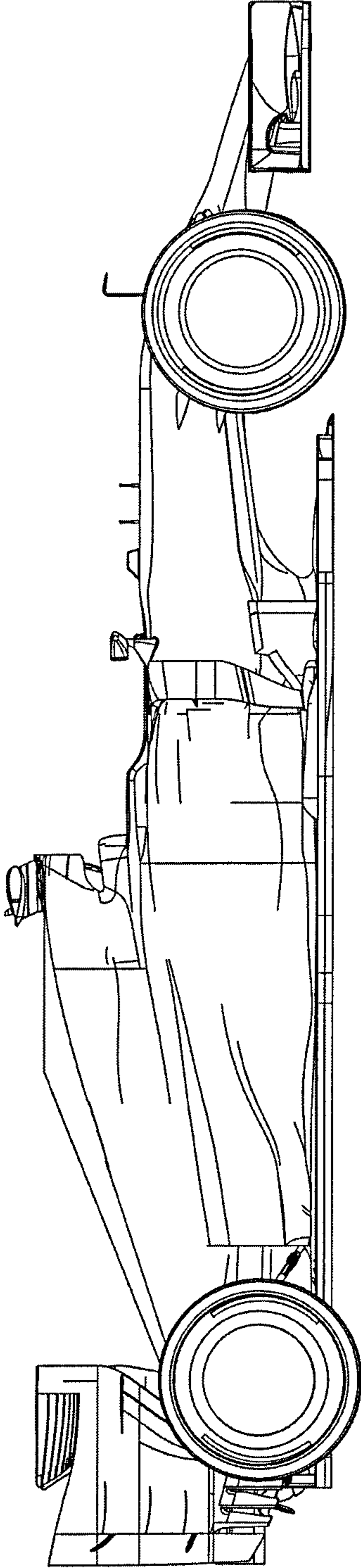


FIG. 6

