

US00D727205S

(12) **United States Design Patent**
Howell

(10) **Patent No.:** **US D727,205 S**

(45) **Date of Patent:** **** Apr. 21, 2015**

(54) **END CLIP FOR A PLASTIC ZIPPER OR CLOSURE**

(71) Applicant: **Illinois Tool Works Inc.**, Glenview, IL (US)

(72) Inventor: **Clifton Ronald Howell**, Buford, GA (US)

(73) Assignee: **Illinois Tool Works Inc.**, Glenview, IL (US)

(**) Term: **14 Years**

(21) Appl. No.: **29/485,737**

(22) Filed: **Mar. 21, 2014**

(51) **LOC (10) Cl.** **02-07**

(52) **U.S. Cl.**
USPC **D11/221**

(58) **Field of Classification Search**
CPC A44B 19/00; A44B 19/02; A44B 19/04;
A44B 19/10; A44B 19/24; A44B 19/26;
A44B 19/30
USPC D11/200, 201, 221; 24/381-383,
24/385-387, 414-417, 421-422, 427-431,
24/433, 400; 2/265; D2/641; 294/3.6;
223/118; 383/210.1, 61.3, 64

See application file for complete search history.

(56) **References Cited**

U.S. PATENT DOCUMENTS

4,262,395 A *	4/1981	Kosky	24/400
D469,721 S *	2/2003	Buchman	D11/221
D480,988 S *	10/2003	Buchman	D11/221
D511,480 S *	11/2005	Buchman	D11/221
D517,948 S *	3/2006	Schreiter	D11/221
D528,040 S *	9/2006	Cheng	D11/221
D673,480 S *	1/2013	Keyaki et al.	D11/221
D682,157 S *	5/2013	Ehrhardt et al.	D11/221

* cited by examiner

Primary Examiner — Ralf Seifert

(74) *Attorney, Agent, or Firm* — McCarter & English, LLP

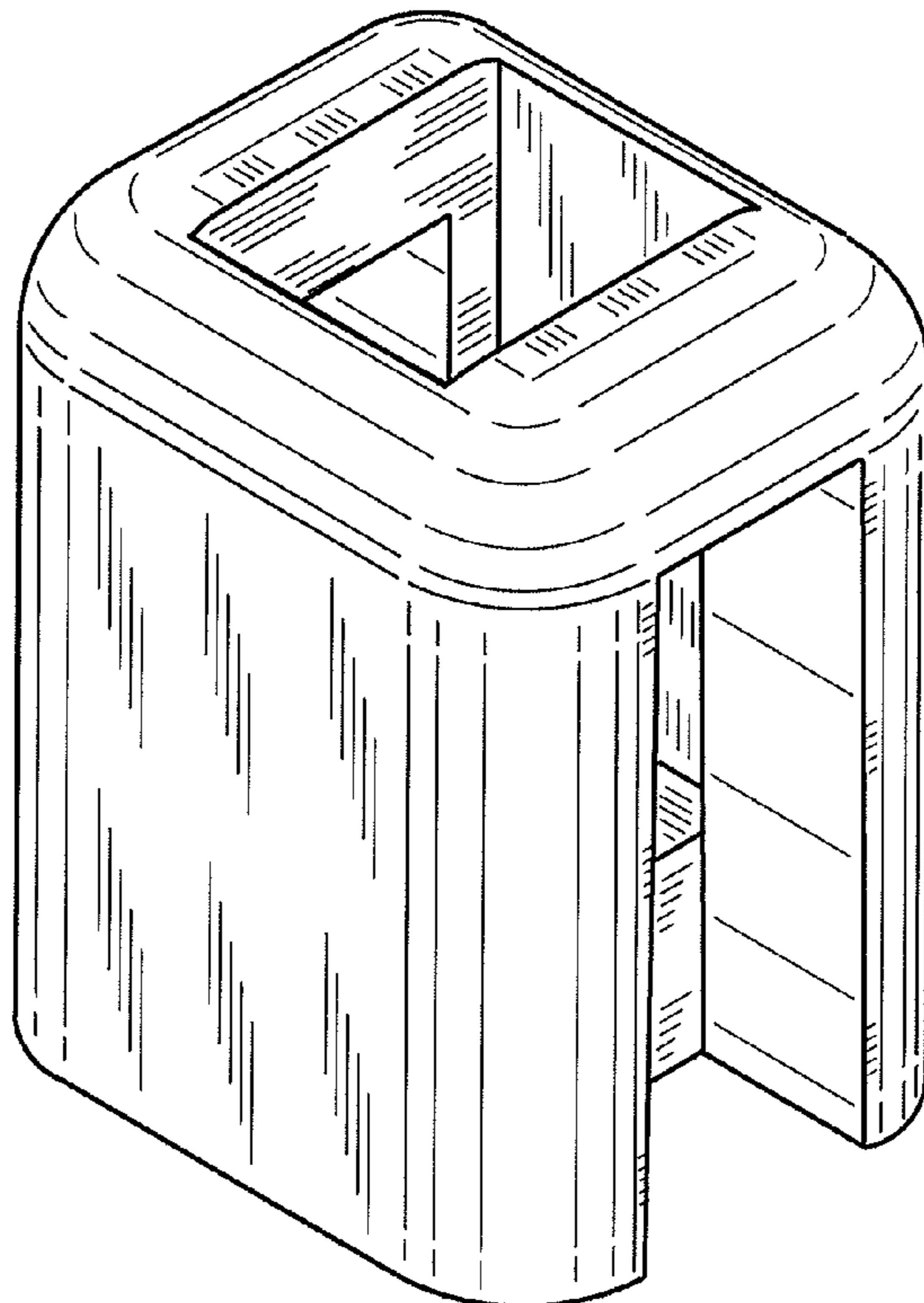
(57) **CLAIM**

The ornamental design for the end clip for a plastic zipper or closure, as shown.

DESCRIPTION

FIG. 1 is a top perspective view thereof;
FIG. 2 is a side plan view thereof;
FIG. 3 is a front plan thereof;
FIG. 4 is a top plan view thereof; and,
FIG. 5 is a bottom plan view thereof.

1 Claim, 3 Drawing Sheets



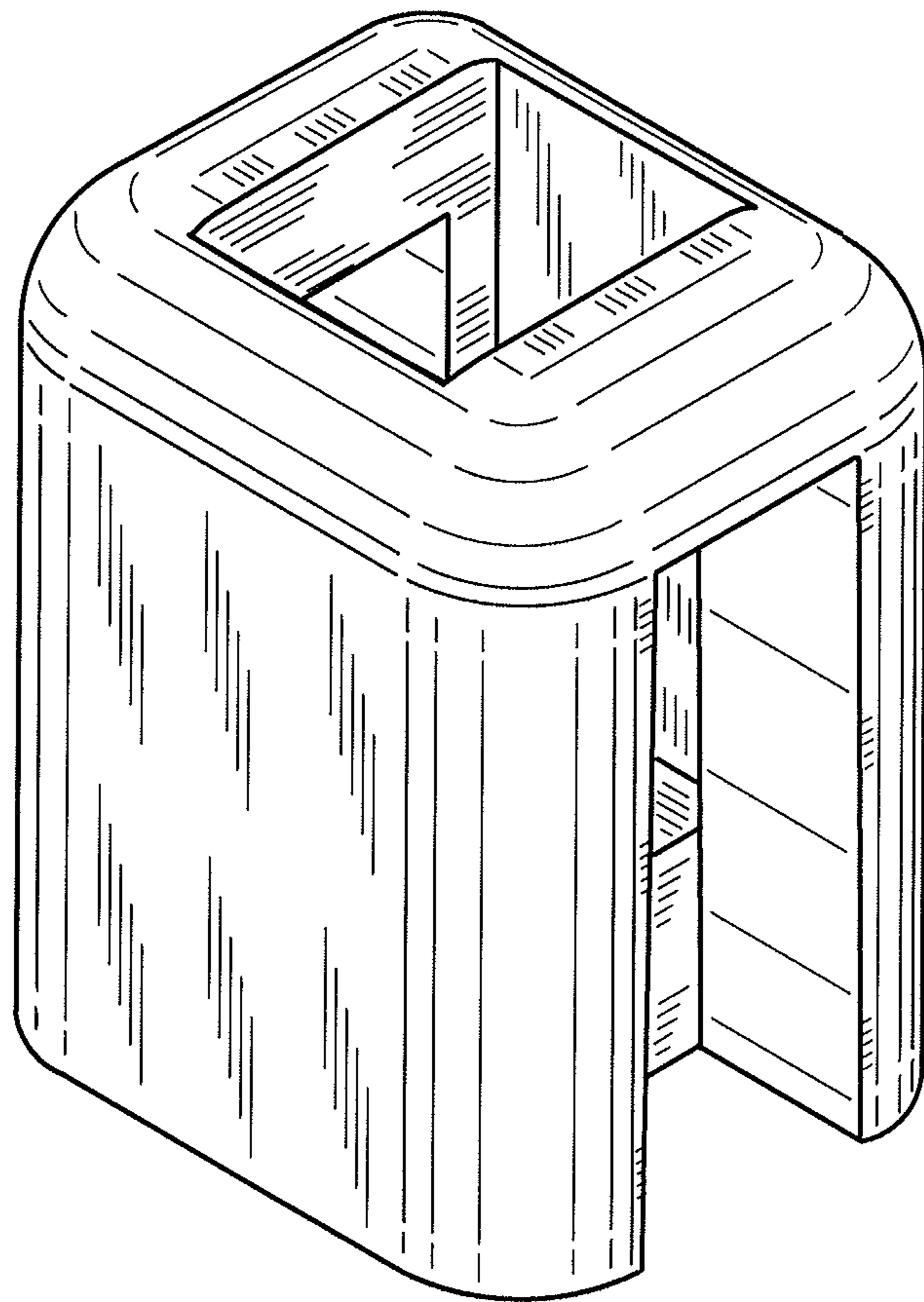


FIG. 1

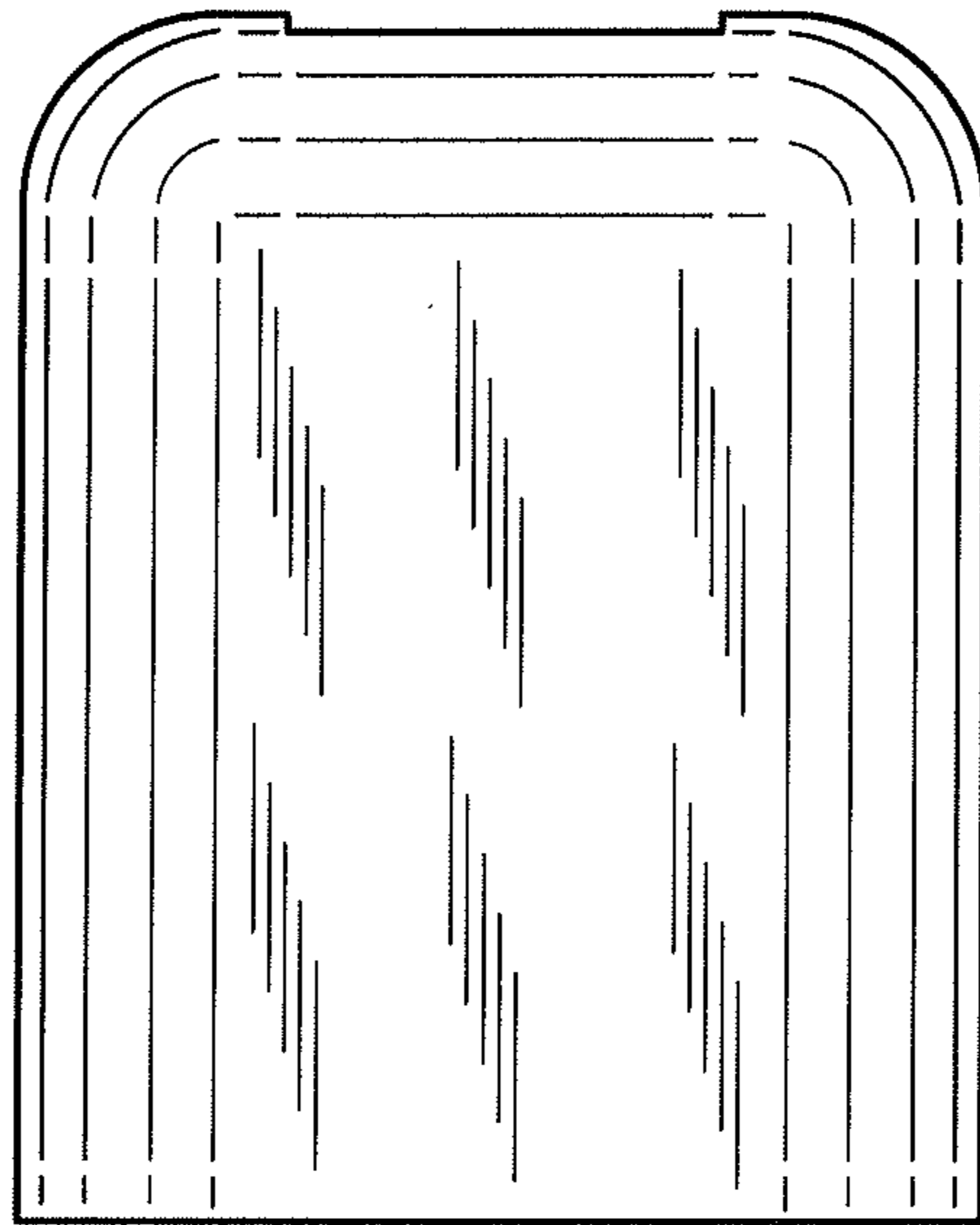


FIG. 2

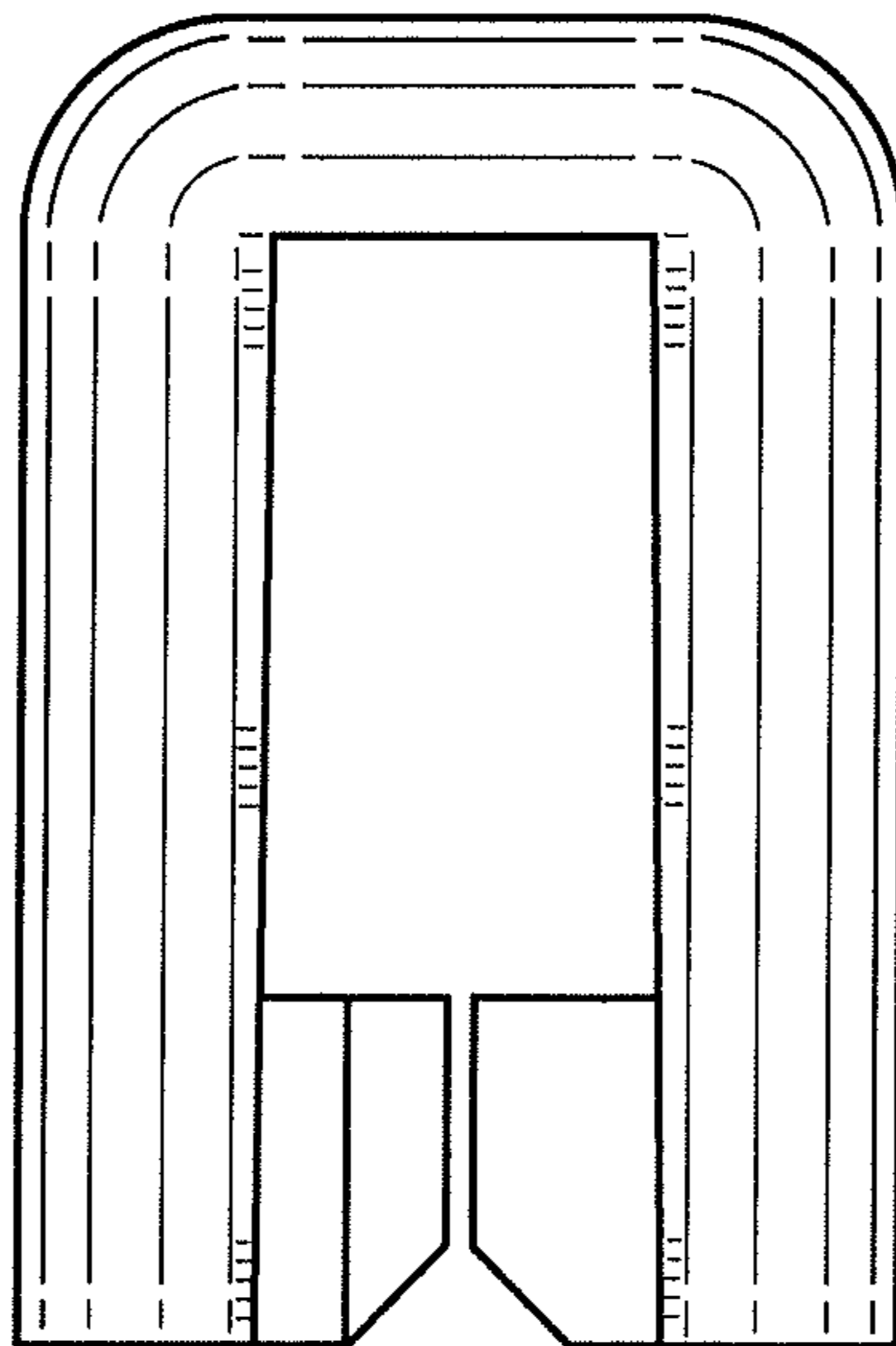


FIG. 3

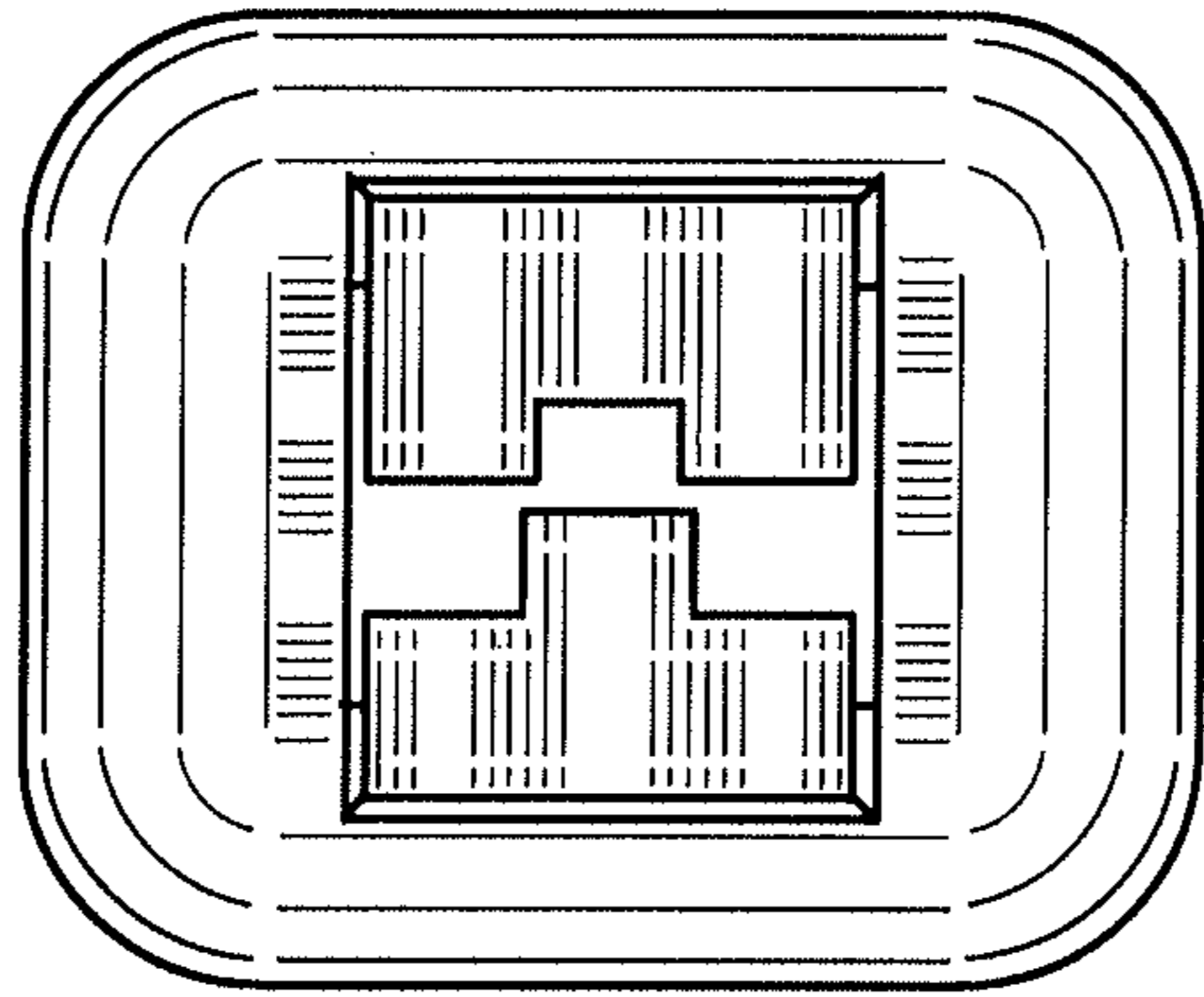


FIG. 4

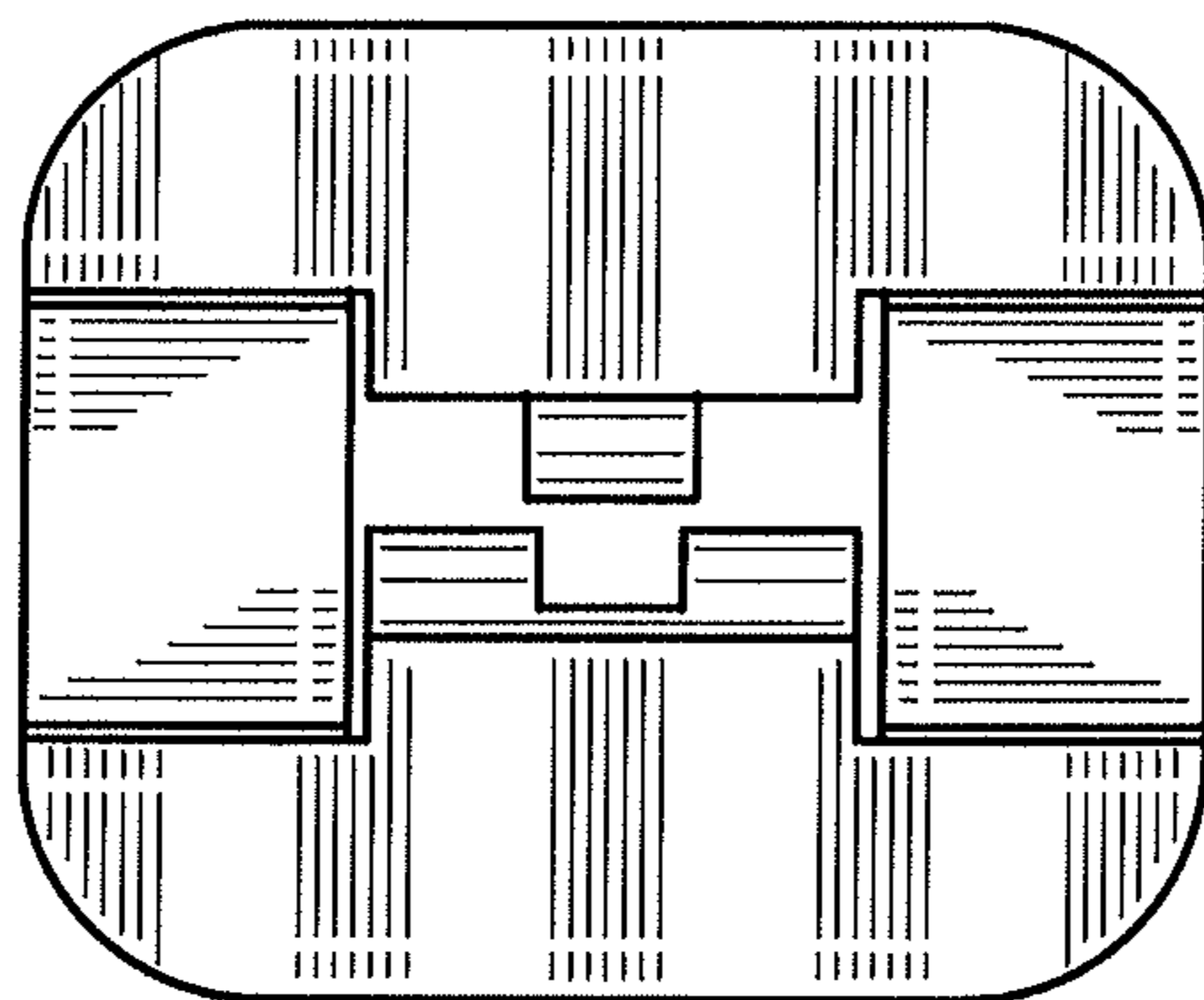


FIG. 5